



US00D323903S

United States Patent [19]

[11] Patent Number: Des. 323,903

Tonyan et al.

[45] Date of Patent: ** Feb. 11, 1992

[54] COMBINED LAMP AND CLOCK

D. 309,437	7/1990	Ng	D10/5
3,368,067	2/1968	Paxinos	D26/52 X
4,285,028	8/1981	Sundin et al.	362/411 X

[75] Inventors: **Janice L. Tonyan**, Des Plaines;
Charles Flynn, Mt. Prospect; **Alex Kowalenko**, Barrington, all of Ill.

[73] Assignee: **Spartus Corporation**, Arlington Heights, Ill.

[**] Term: **14 Years**

[21] Appl. No.: **390,804**

[22] Filed: **Jul. 27, 1989**

[52] U.S. Cl. **D26/54; D10/5; D26/63**

[58] Field of Search **D26/61, 63, 65, 54, D26/51, 52; 362/432, 427, 419, 418, 269, 147, 23; D10/5-15**

[56] References Cited

U.S. PATENT DOCUMENTS

D. 187,189	2/1960	Corwin	D10/5
D. 264,253	5/1982	Goldschmidt et al.	D26/72 X

OTHER PUBLICATIONS

Best Catalog 1984/85, p. 243, bed lamp #10.

Primary Examiner—Susan J. Lucas

Attorney, Agent, or Firm—Seidel, Gonda, Lavorgna & Monaco

[57] CLAIM

The ornamental design for a combined lamp and clock, as shown and described.

DESCRIPTION

FIG. 1 is a front elevational view of a combined lamp and clock showing our new design, the broken lines being shown for illustrative purposes only;

FIG. 2 is a top plan view thereof;

FIG. 3 is a bottom plan view thereof;

FIG. 4 is a side elevational view thereof, the opposite side being a mirror image; and

FIG. 5 is a rear elevational view thereof.

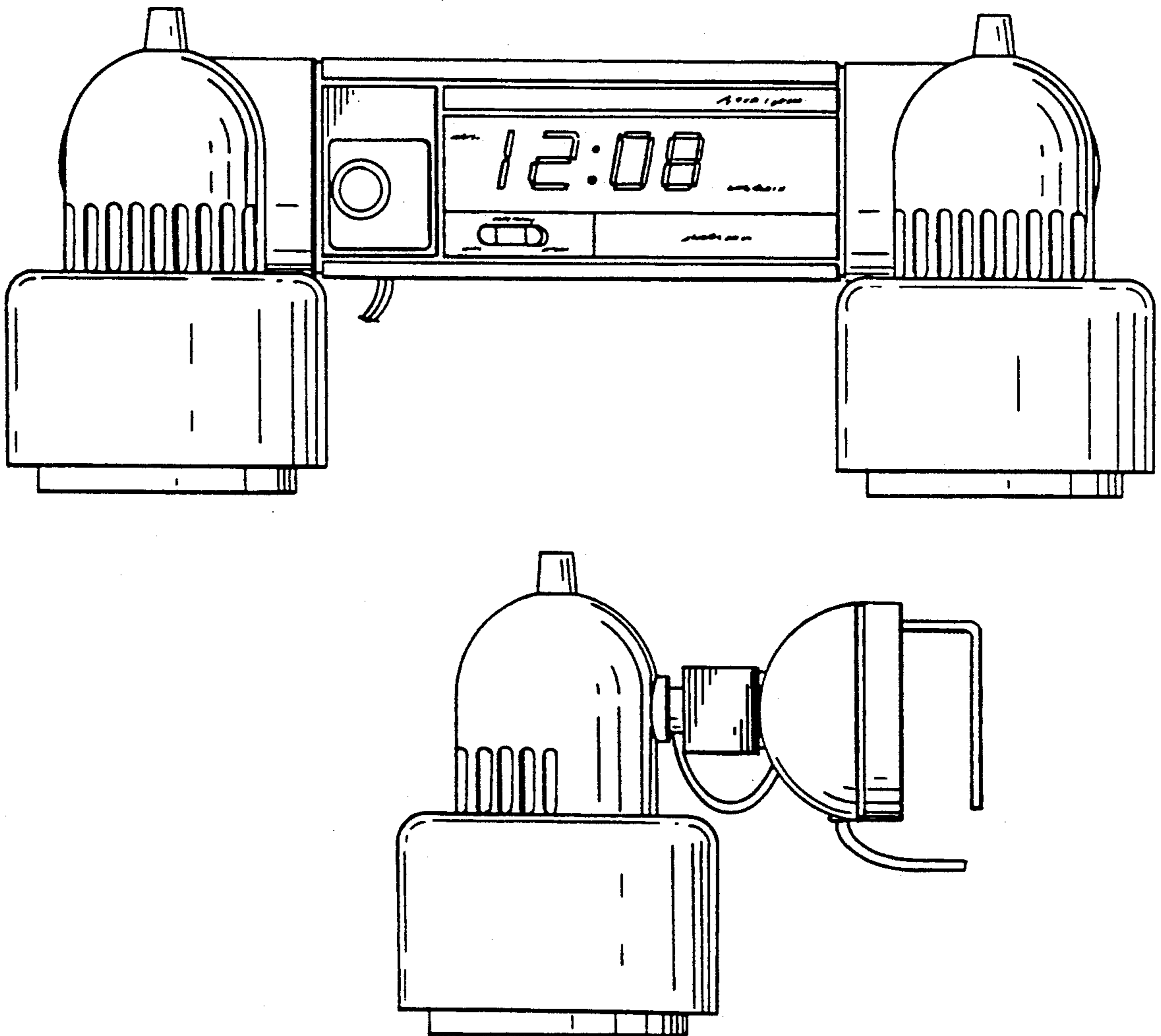


FIG. 1

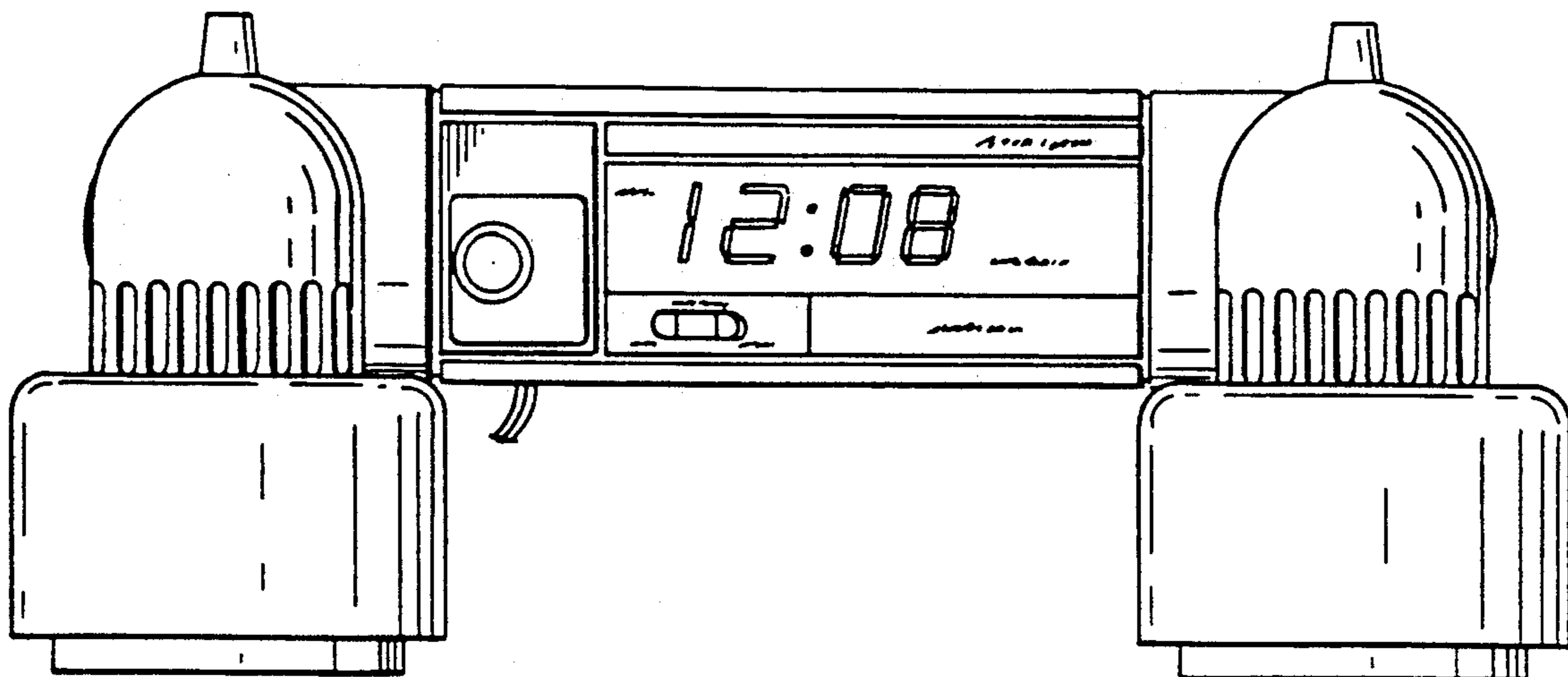


FIG. 4

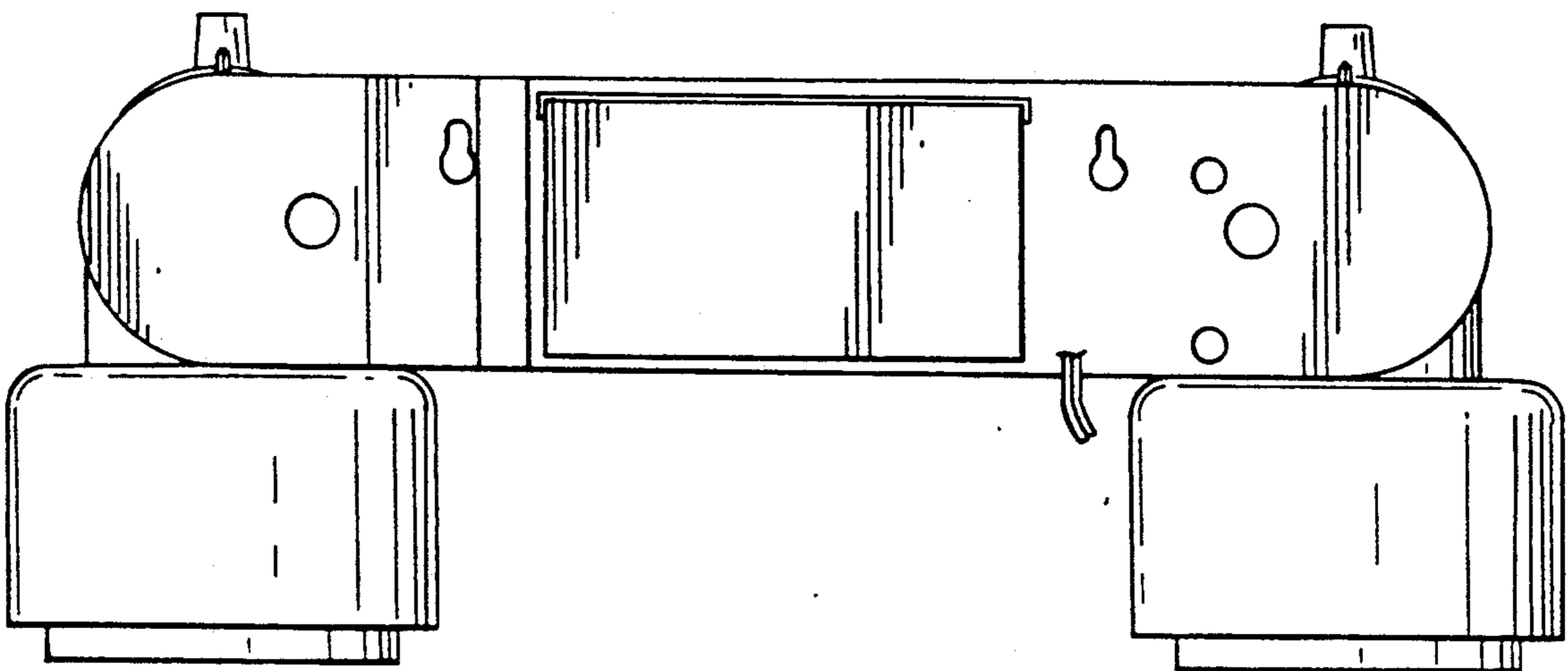
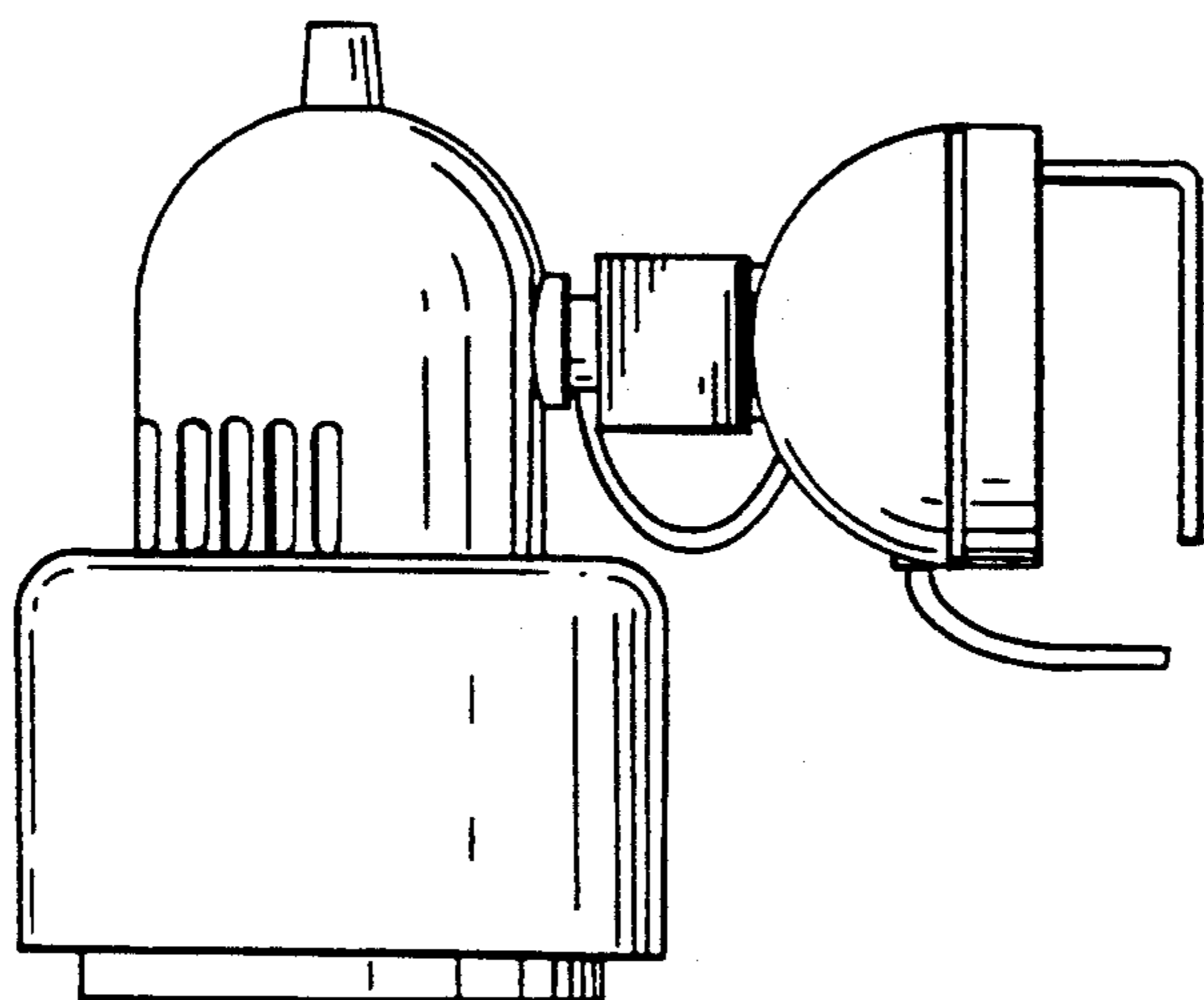


FIG. 5

FIG. 2

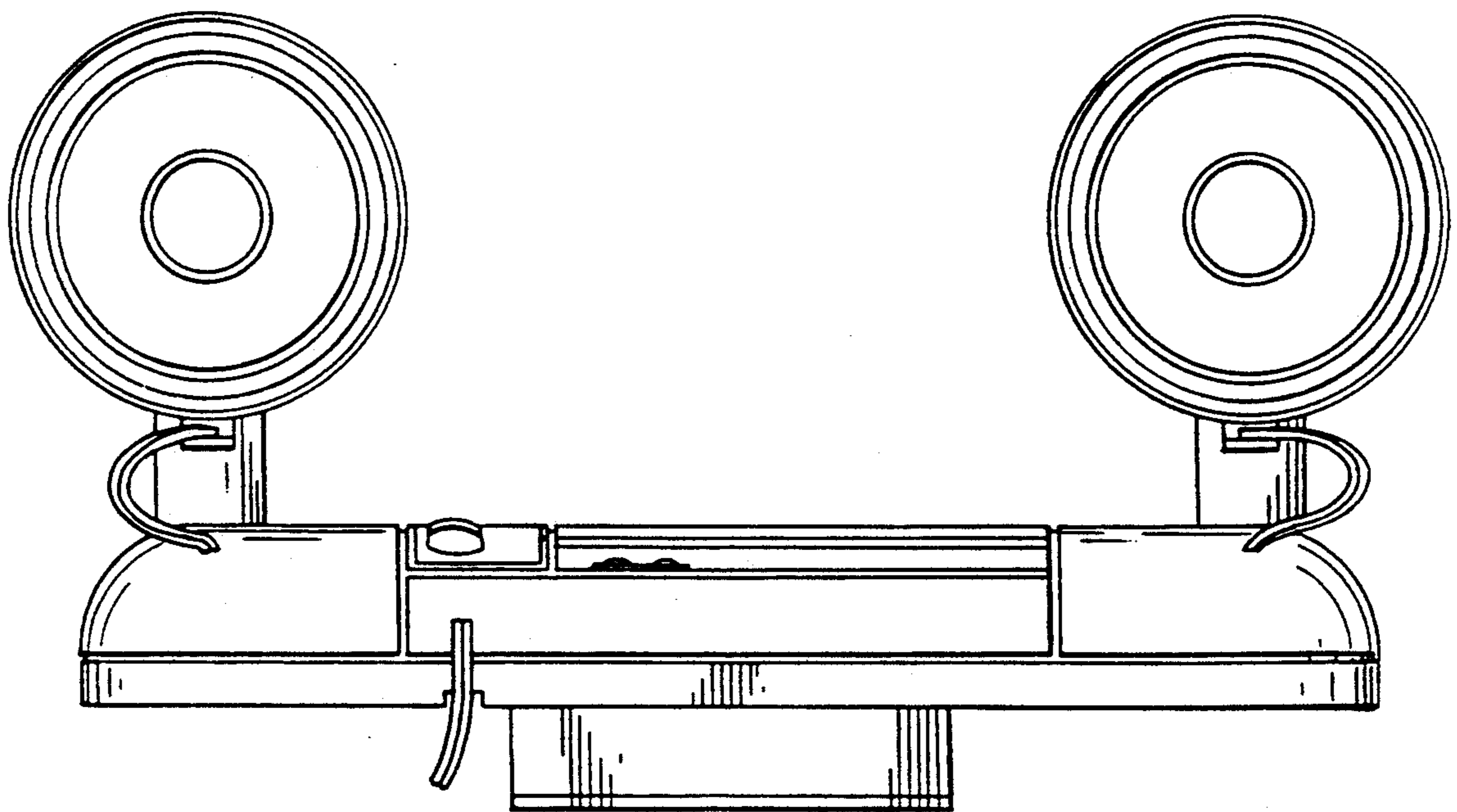
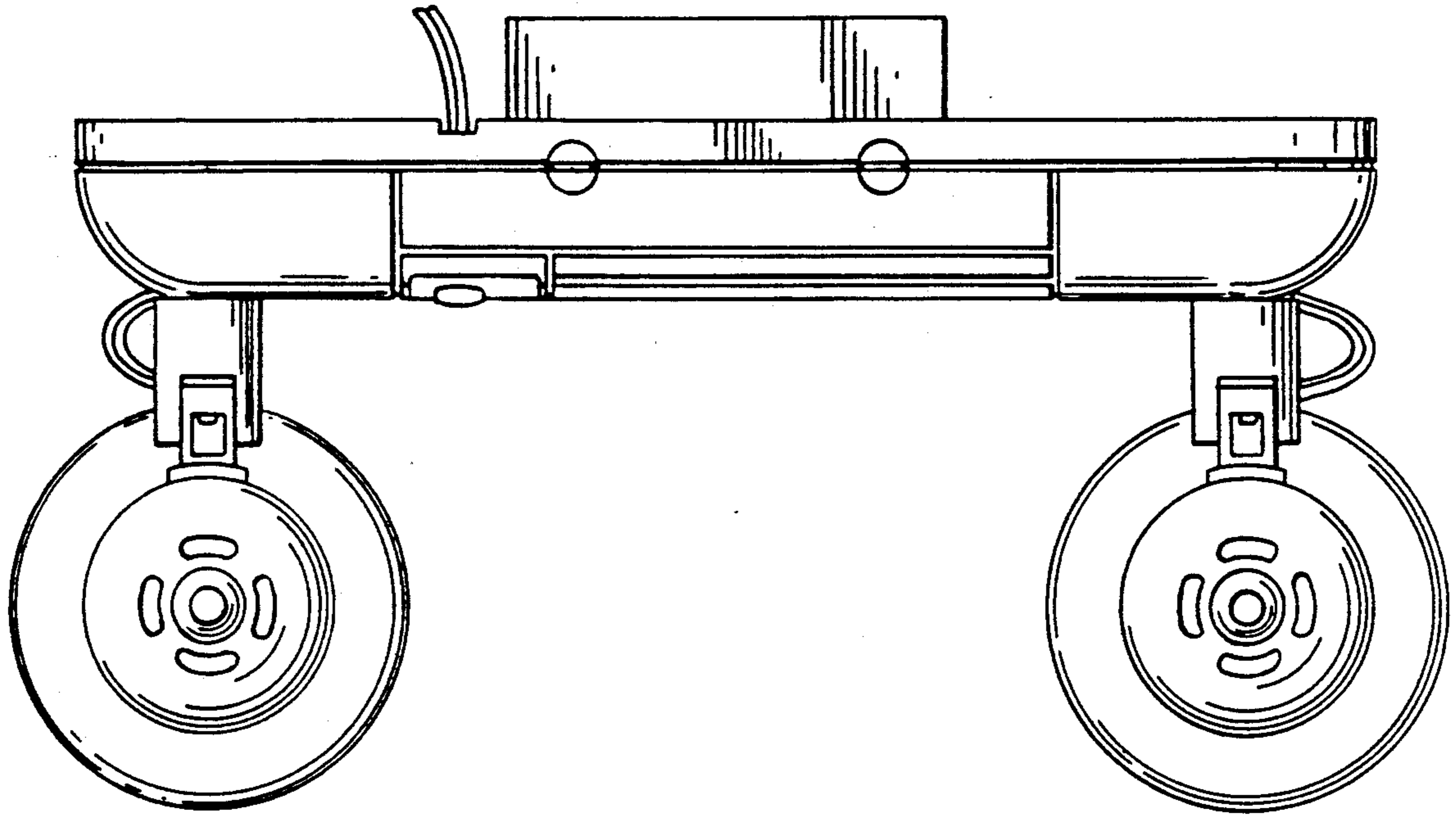


FIG. 3