



US00D323897S

United States Patent [19]

[11] Patent Number: Des. 323,897

Compton

[45] Date of Patent: ** Feb. 11, 1992

[54] LUMINAIRE

[57] CLAIM

[75] Inventor: Wayne W. Compton, Chino Hills, Calif.

The ornamental design for a luminaire, as shown and described.

[73] Assignee: Kim Lighting, Inc., City of Industry, Calif.

DESCRIPTION

[**] Term: 14 Years

FIG. 1 is a top, front perspective view of a luminaire showing my new design;

[21] Appl. No.: 428,660

FIG. 2 is a side elevational view thereof, the opposite side being a mirror image;

[22] Filed: Oct. 27, 1989

FIG. 3 is a front elevational view thereof;

[52] U.S. Cl. D26/24; D26/71

FIG. 4 is a top plan view thereof;

[58] Field of Search D26/67-70,
D26/24, 72, 83, 85, 87, 91, 92, 60, 61, 62, 63, 65,
128, 129, 130, 131, 118; 362/431, 432, 362, 147,
153, 145

FIG. 5 is a bottom view thereof;

FIG. 6 is a rear elevational view thereof;

FIG. 7 is a top plan view of a second embodiment of my new design, the second embodiment being identical to the first except for the omission of recesses in its top surface;

FIG. 8 is a top plan view of a third embodiment of my new design, the third embodiment being identical to the first except for the longitudinal rather than latitudinal recesses in its top surface;

[56] References Cited

U.S. PATENT DOCUMENTS

- D. 85,382 10/1931 Guth D26/128
- D. 232,655 9/1974 Aulenti D26/63
- D. 272,475 1/1984 Yahraus D26/71 X
- D. 292,235 10/1987 Roos D26/65
- D. 298,656 11/1988 Compton D26/64

FIG. 9 is a side elevational view of a fourth embodiment of my new design, the fourth embodiment being identical to the first embodiment except for the omission of recesses in its top surface and its flat bottom surface; and

FIG. 10 is a side elevational view of a fifth embodiment of my new design, the fifth embodiment being identical to the first embodiment except for the longitudinal recesses in its top surface and its flat bottom surface.

Primary Examiner—Susan J. Lucas
Attorney, Agent, or Firm—Lyon & Lyon

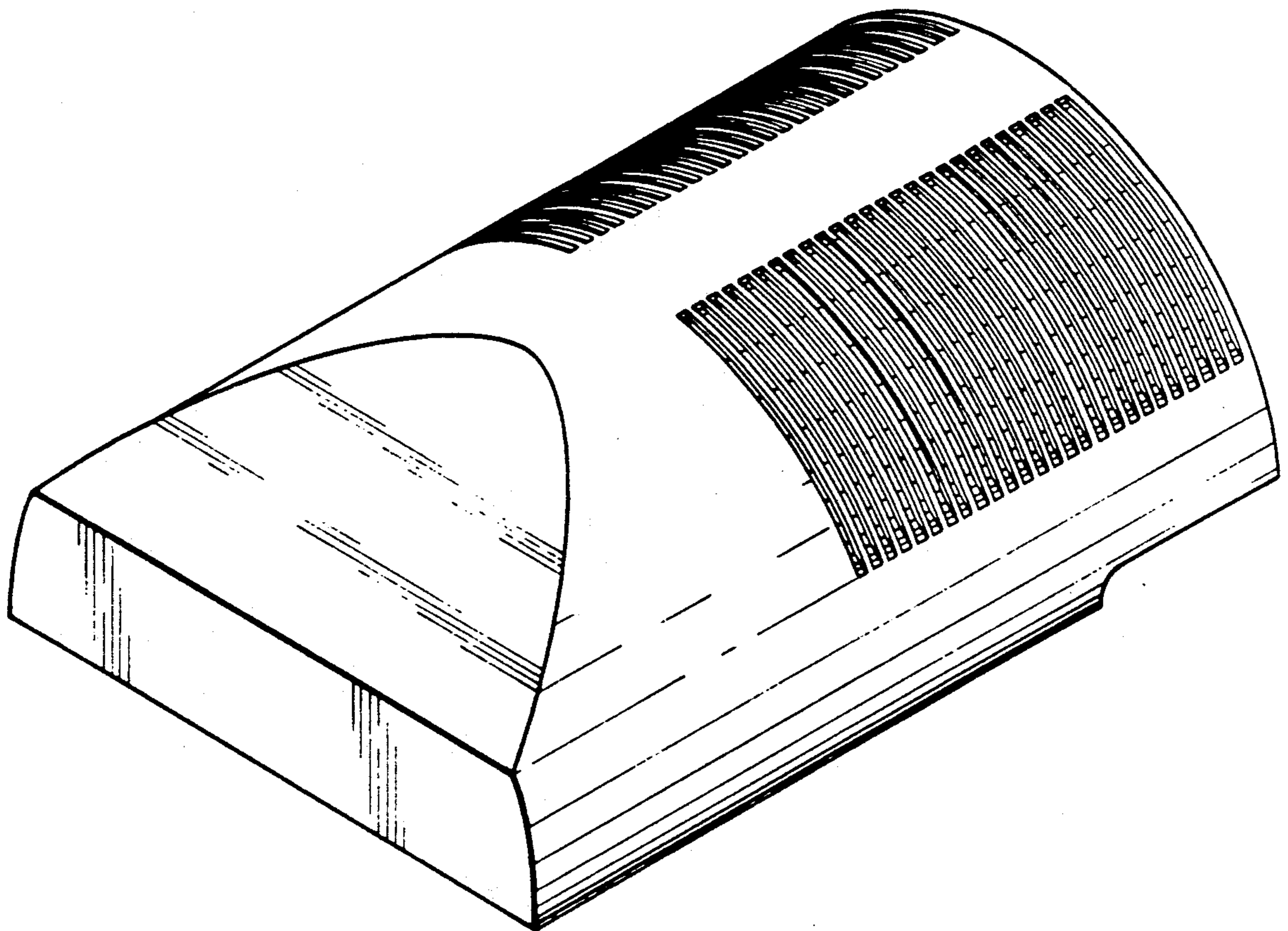


FIG. 1.

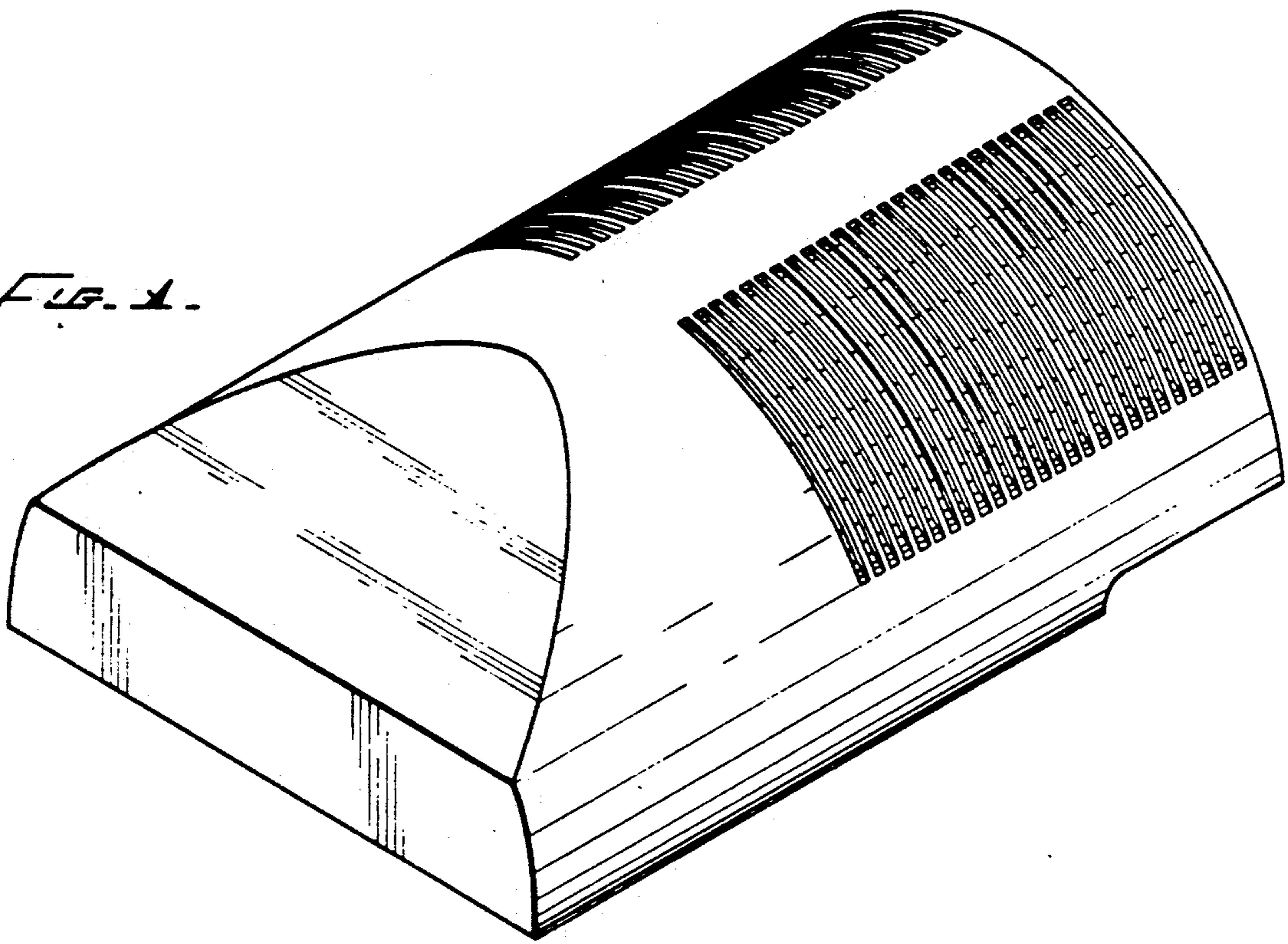


FIG. 2.

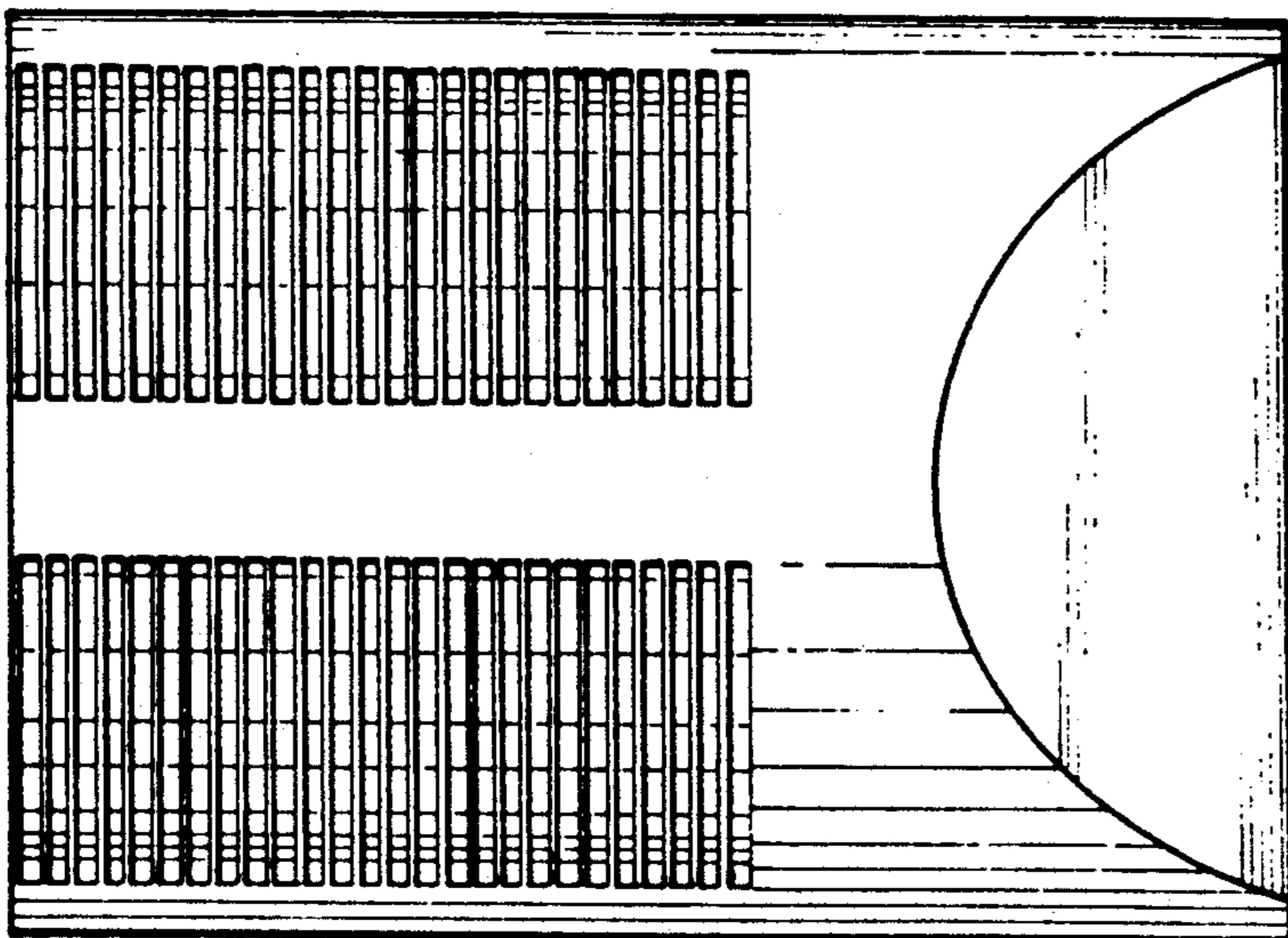
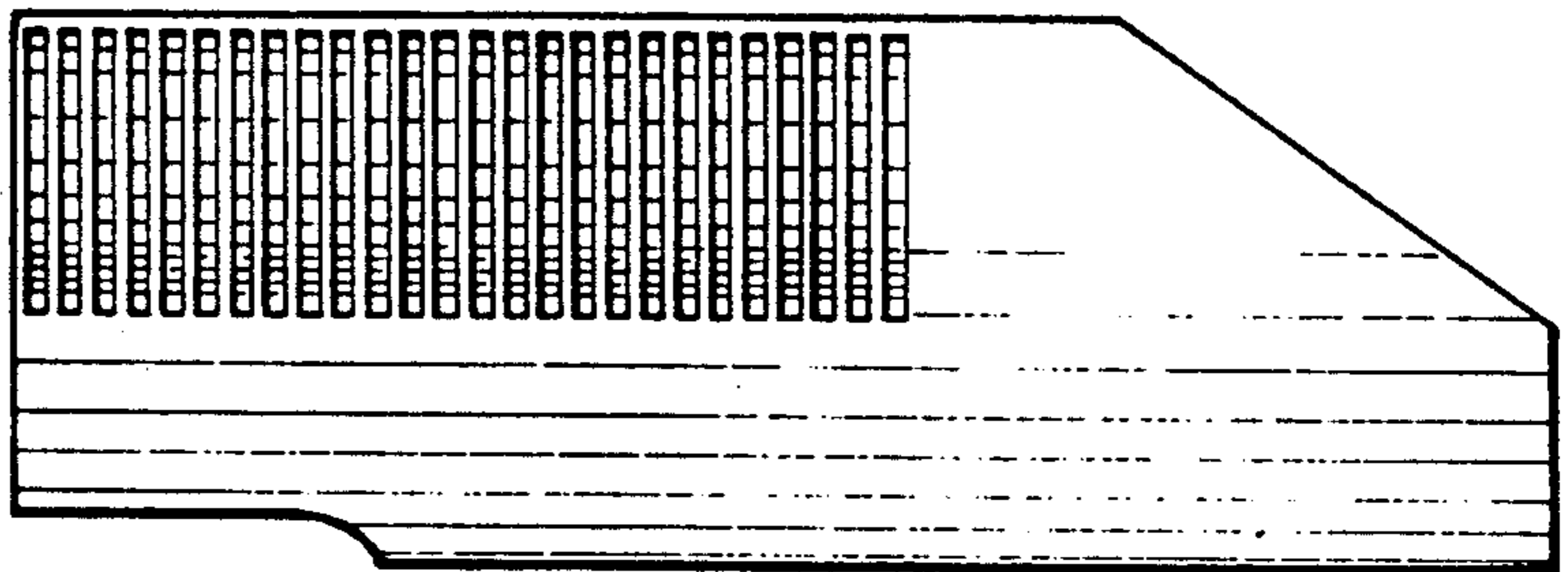


FIG. 3.

FIG. 3.

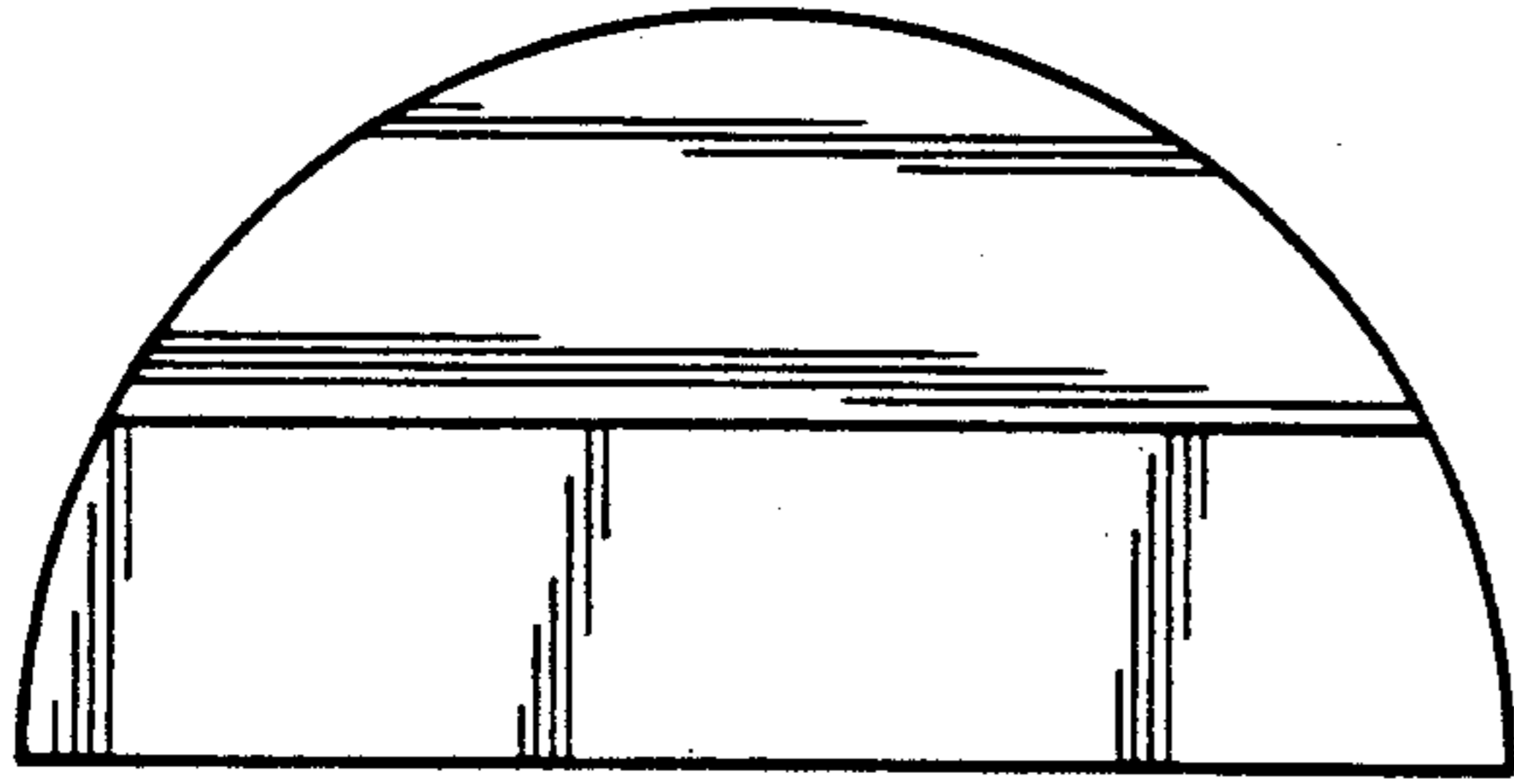


FIG. 6.

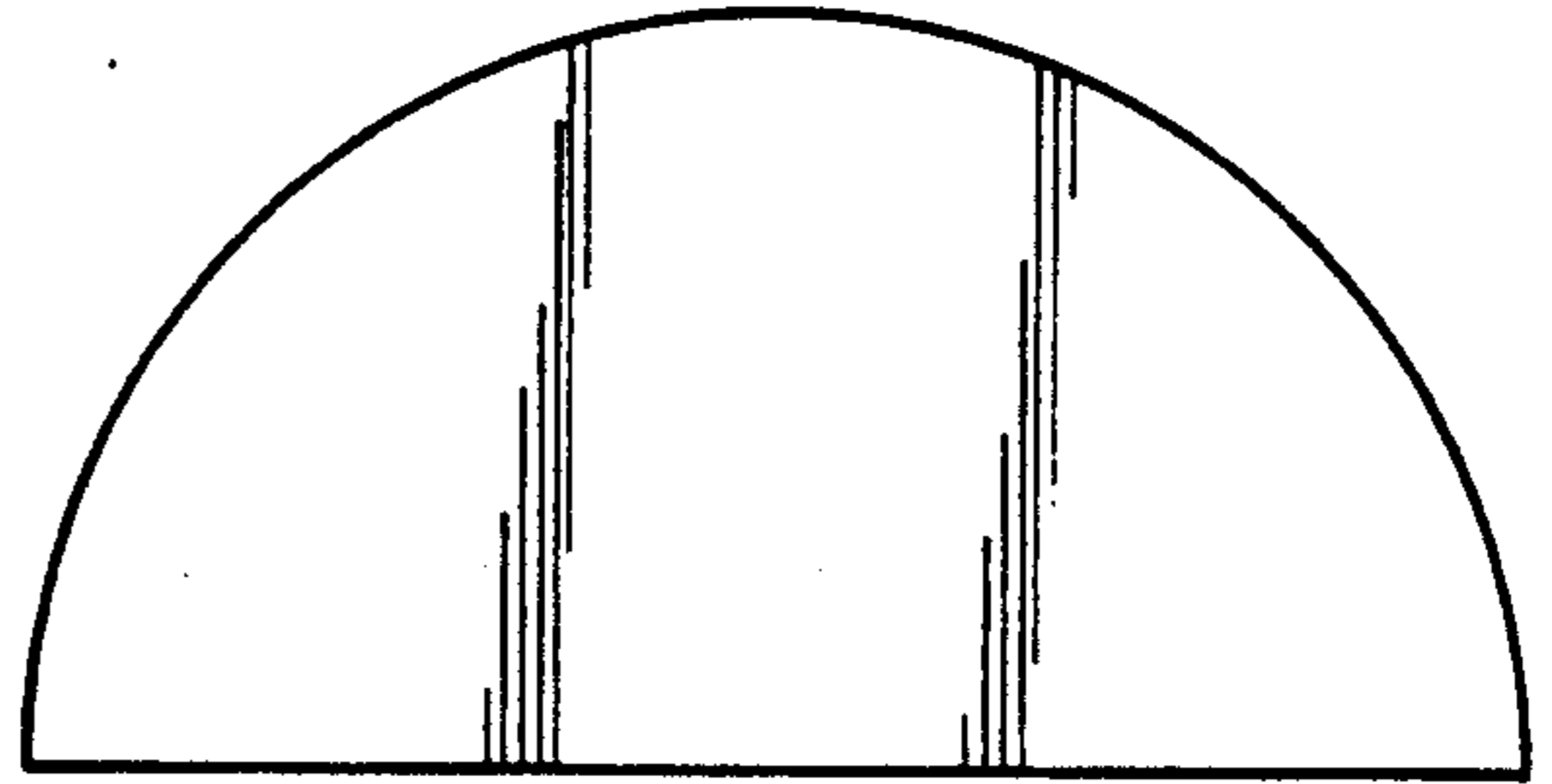


FIG. 5.

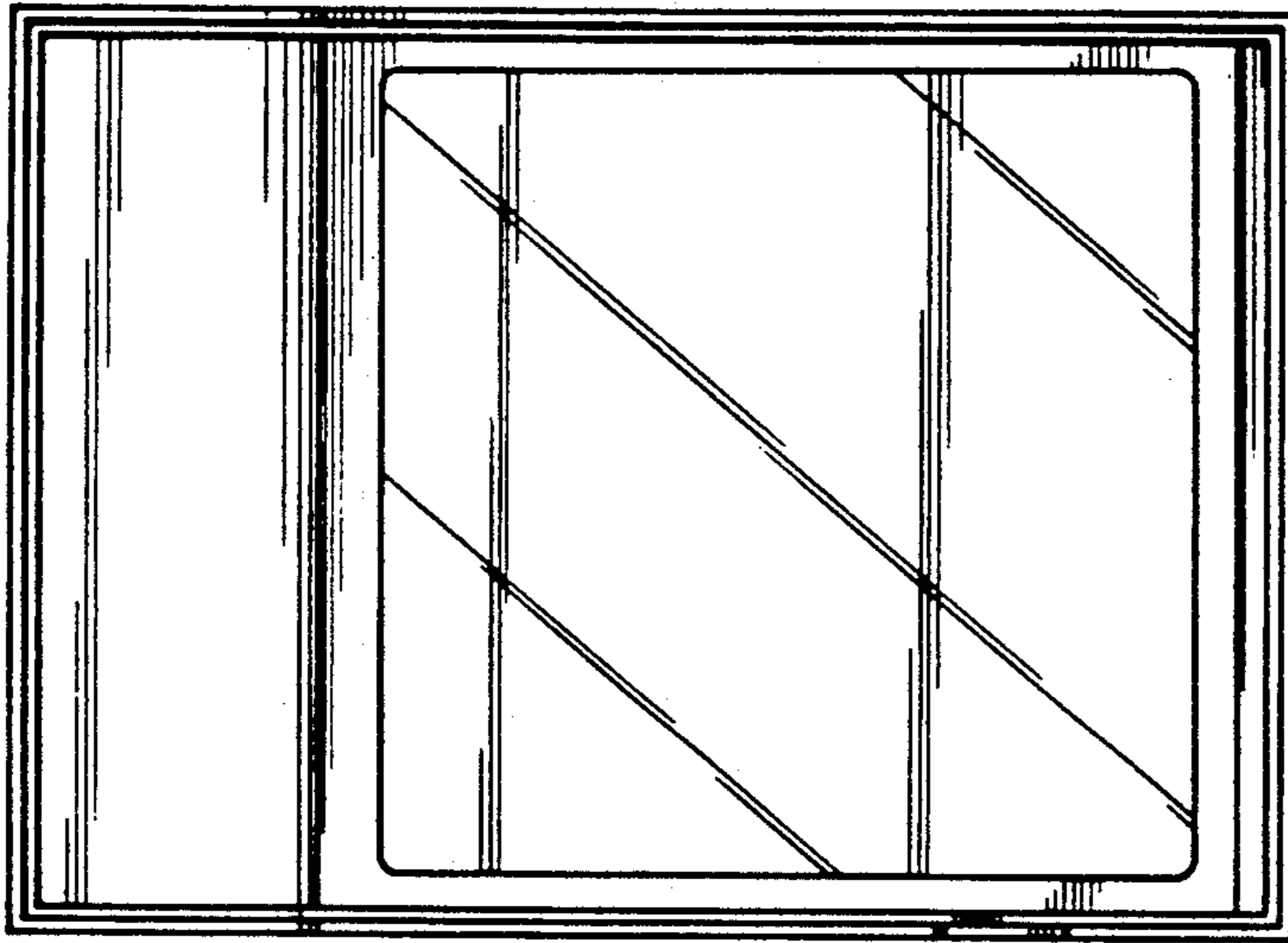


FIG. 1.

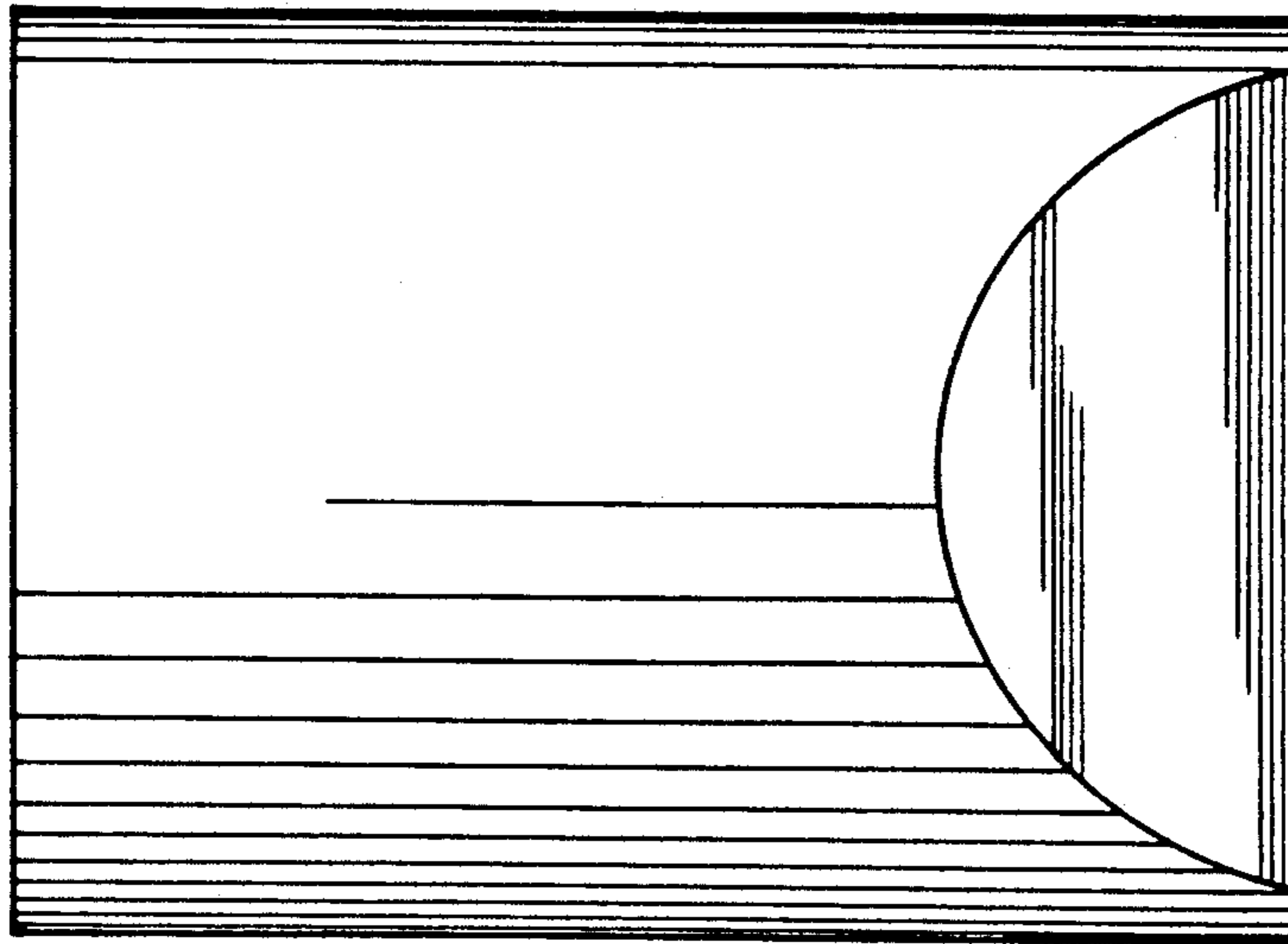


FIG. 8.

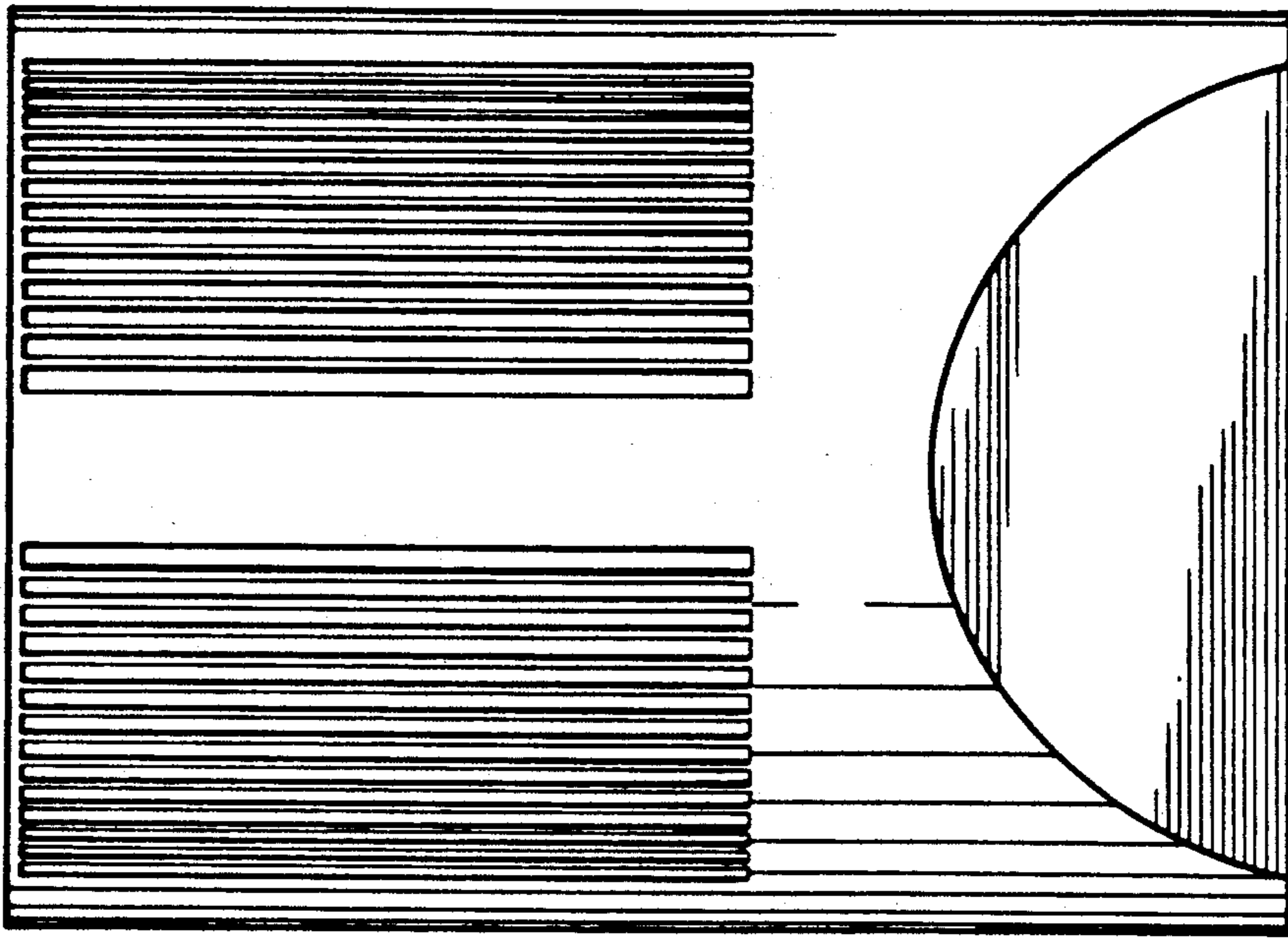


FIG. 9.

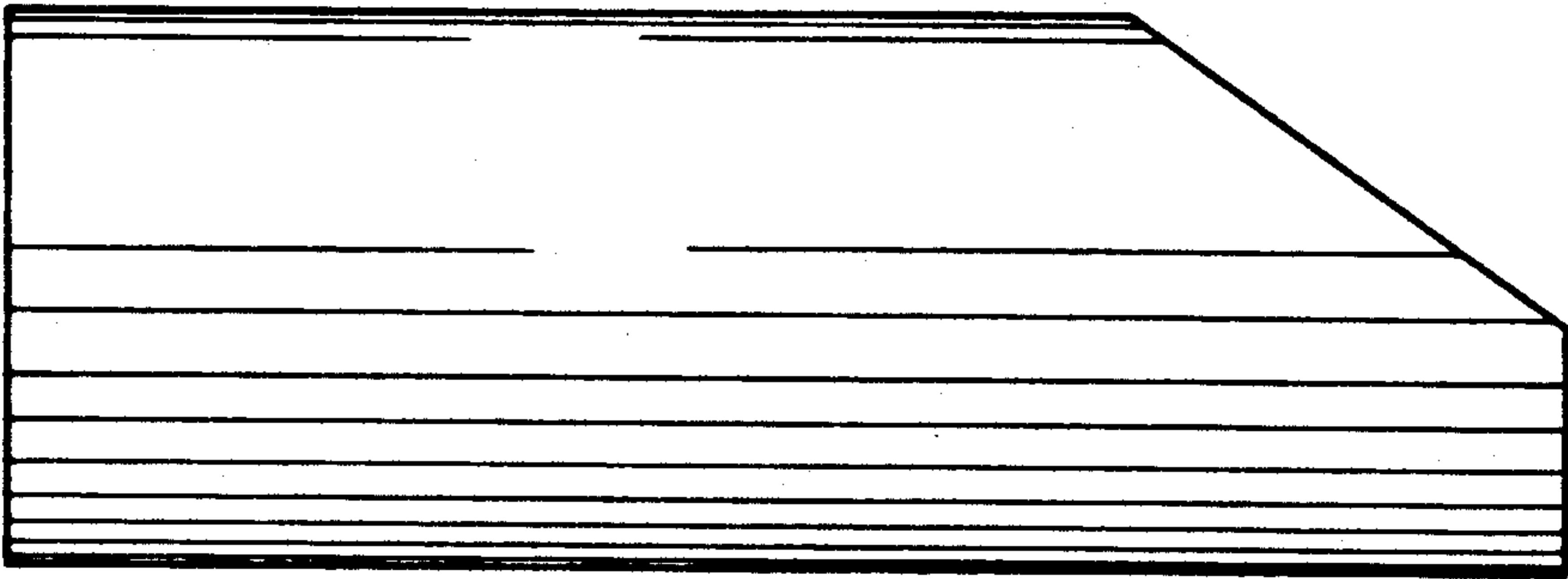


FIG. 10.

