



US00D323892S

United States Patent [19]

[11] Patent Number: Des. 323,892

Spoljaric

[45] Date of Patent: ** Feb. 11, 1992

[54] PANORAMA TOMOGRAPHIC X-RAY UNIT

4,329,587 5/1982 Nieminen 378/40

[75] Inventor: Davor Spoljaric, Espoo, Finland

Primary Examiner—Stella Reid

[73] Assignee: Orion-Yhtymä Oy, Espoo, Finland

Attorney, Agent, or Firm—Abelman Frayne and Schwab

[**] Term: 14 Years

[57] CLAIM

[21] Appl. No.: 180,024

The ornamental design for a panorama tomographic X-ray unit, as shown and described.

[22] Filed: Apr. 11, 1988

DESCRIPTION

[30] Foreign Application Priority Data

Oct. 12, 1987 [FI] Finland 842/87

[52] U.S. Cl. D24/158

[58] Field of Search D24/2; 378/40, 168, 378/197

FIG. 1 is a front perspective view of a panorama tomographic X-ray unit, showing my new design; FIG. 2 is a right side elevational view thereof; FIG. 3 is a left side perspective view thereof; FIG. 4 is a right side perspective view thereof, with the head in an alternate position; FIG. 5 is an enlarged fragmentary right side perspective view thereof; FIG. 6 is a top plan view thereof; FIG. 7 is a bottom plan view thereof; and FIG. 8 is a rear elevational view thereof. The cord in FIGS. 1 and 8 is shown cut away for ease of illustration.

[56] References Cited

U.S. PATENT DOCUMENTS

- D. 272,385 1/1984 Nakano et al. D24/2
- 3,536,913 10/1970 Huchel 378/40
- 3,636,349 1/1972 Faude et al. 378/40

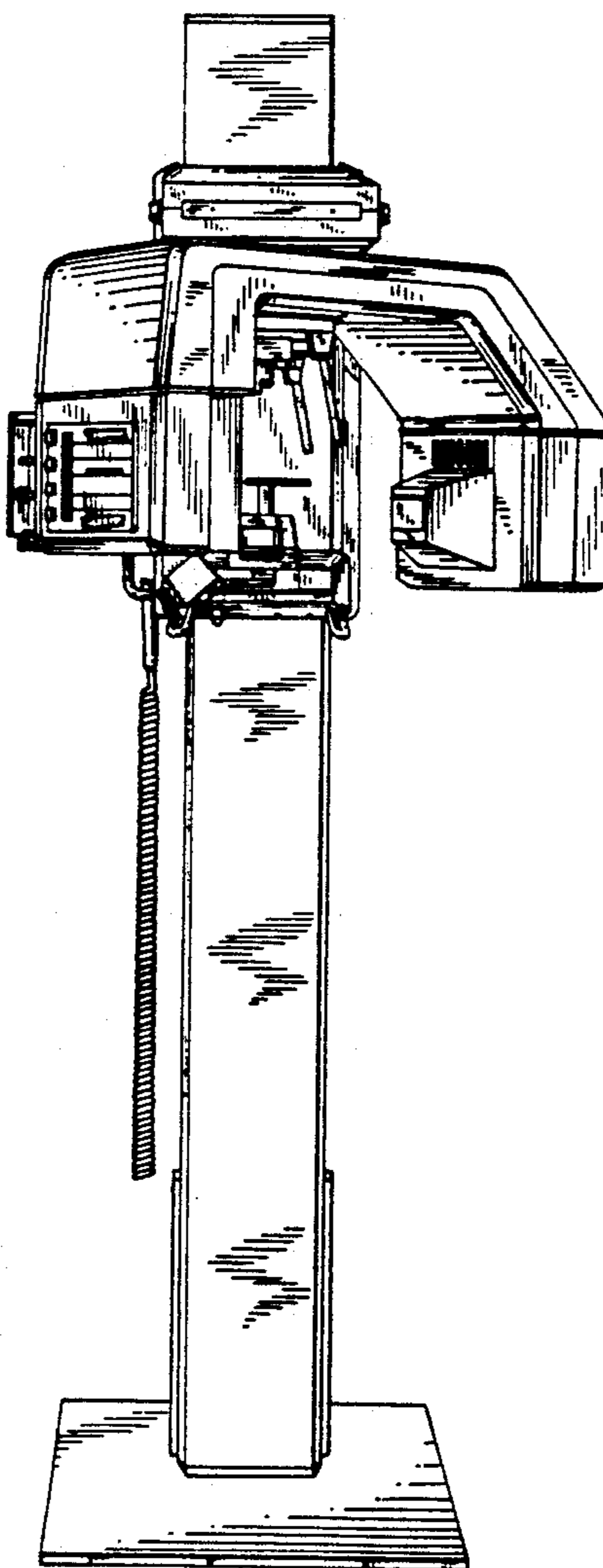


FIG. 1

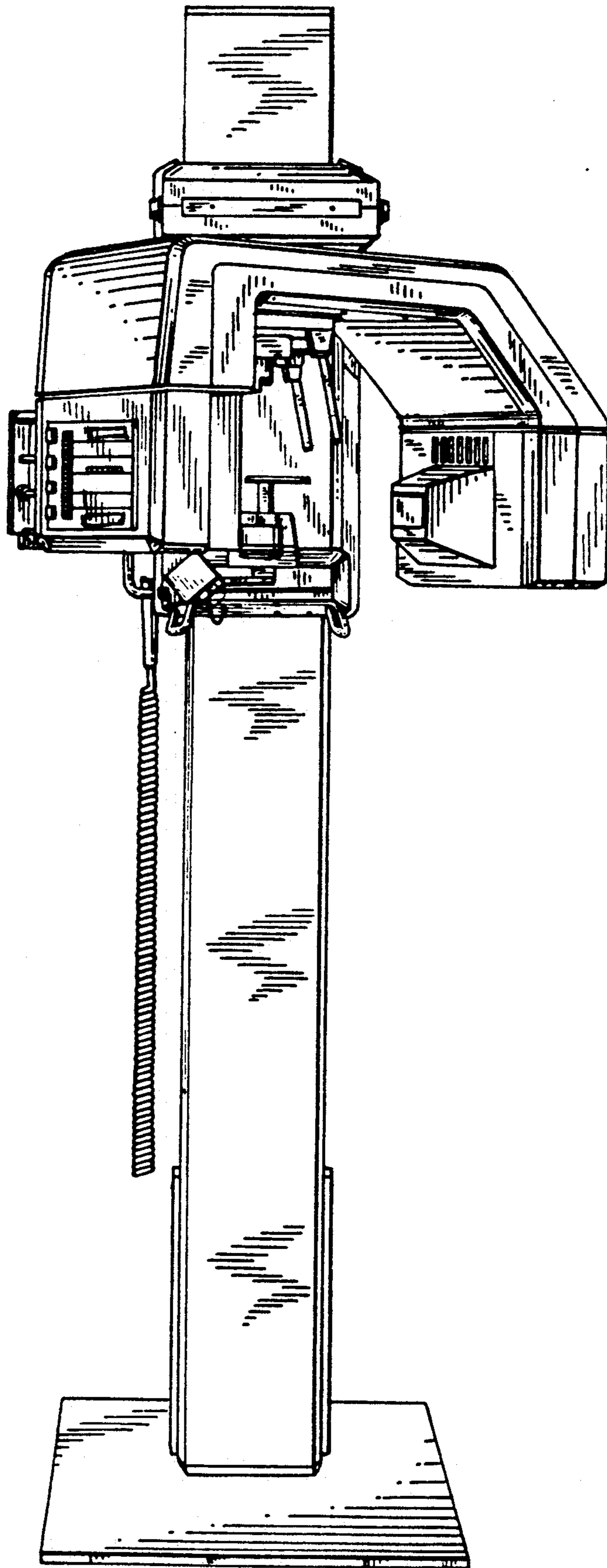


FIG. 2

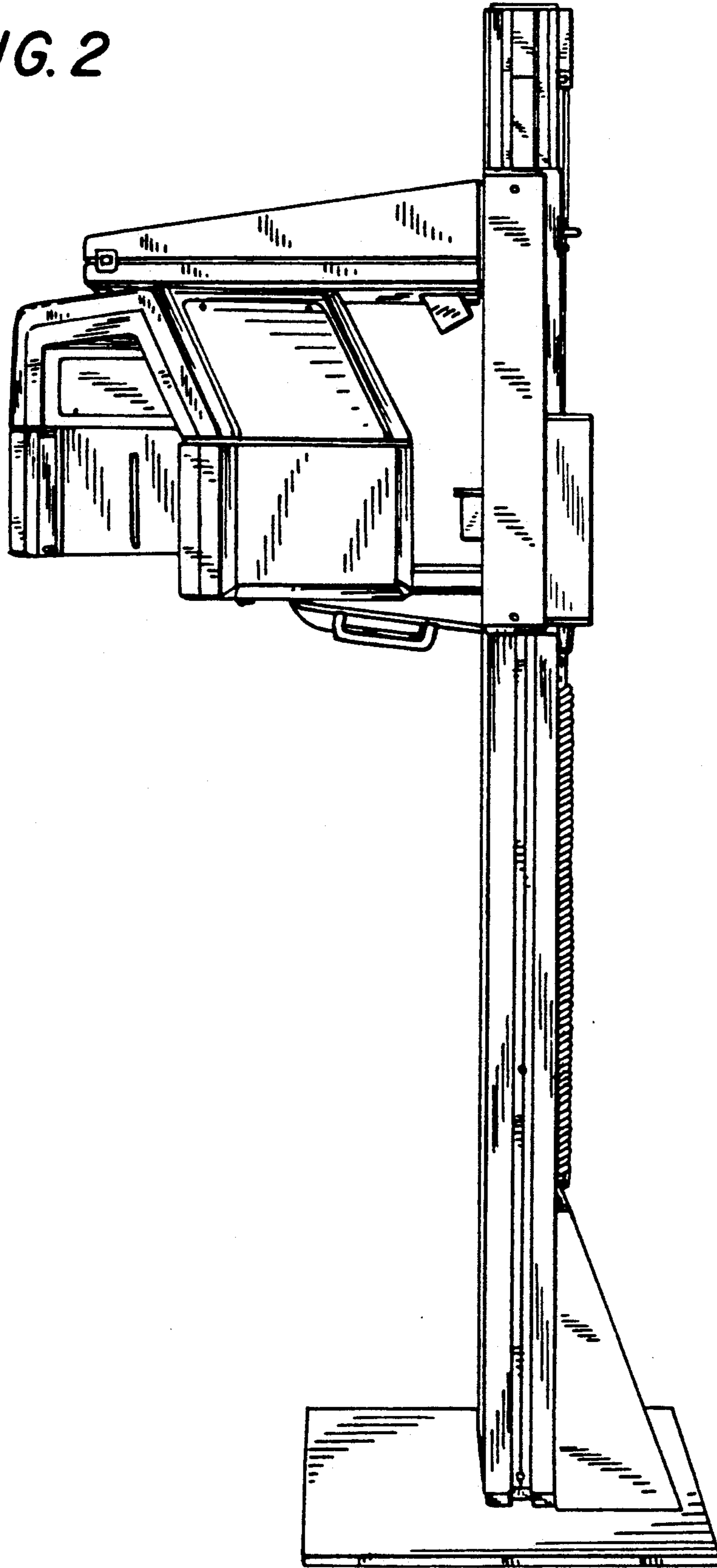


FIG. 3

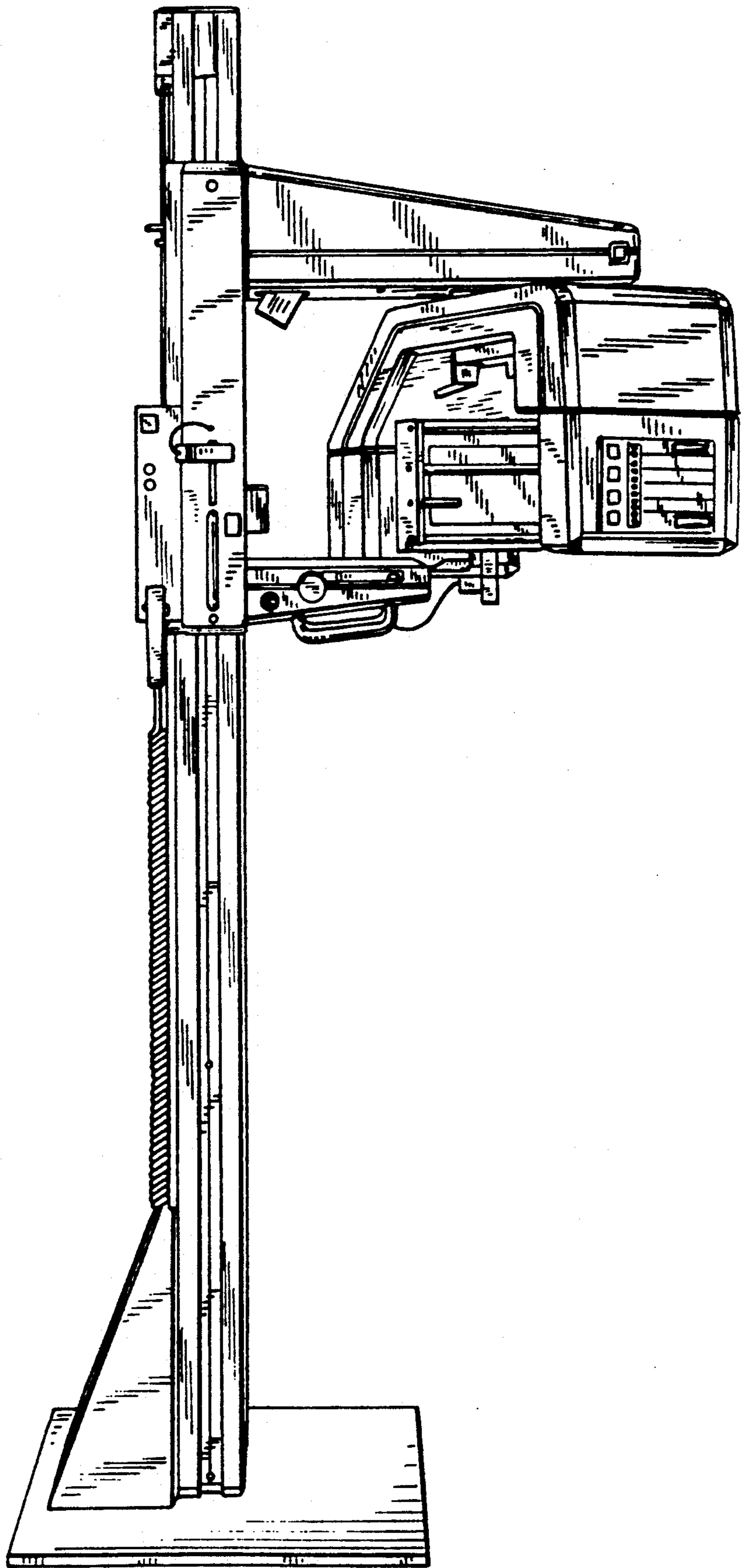


FIG. 4

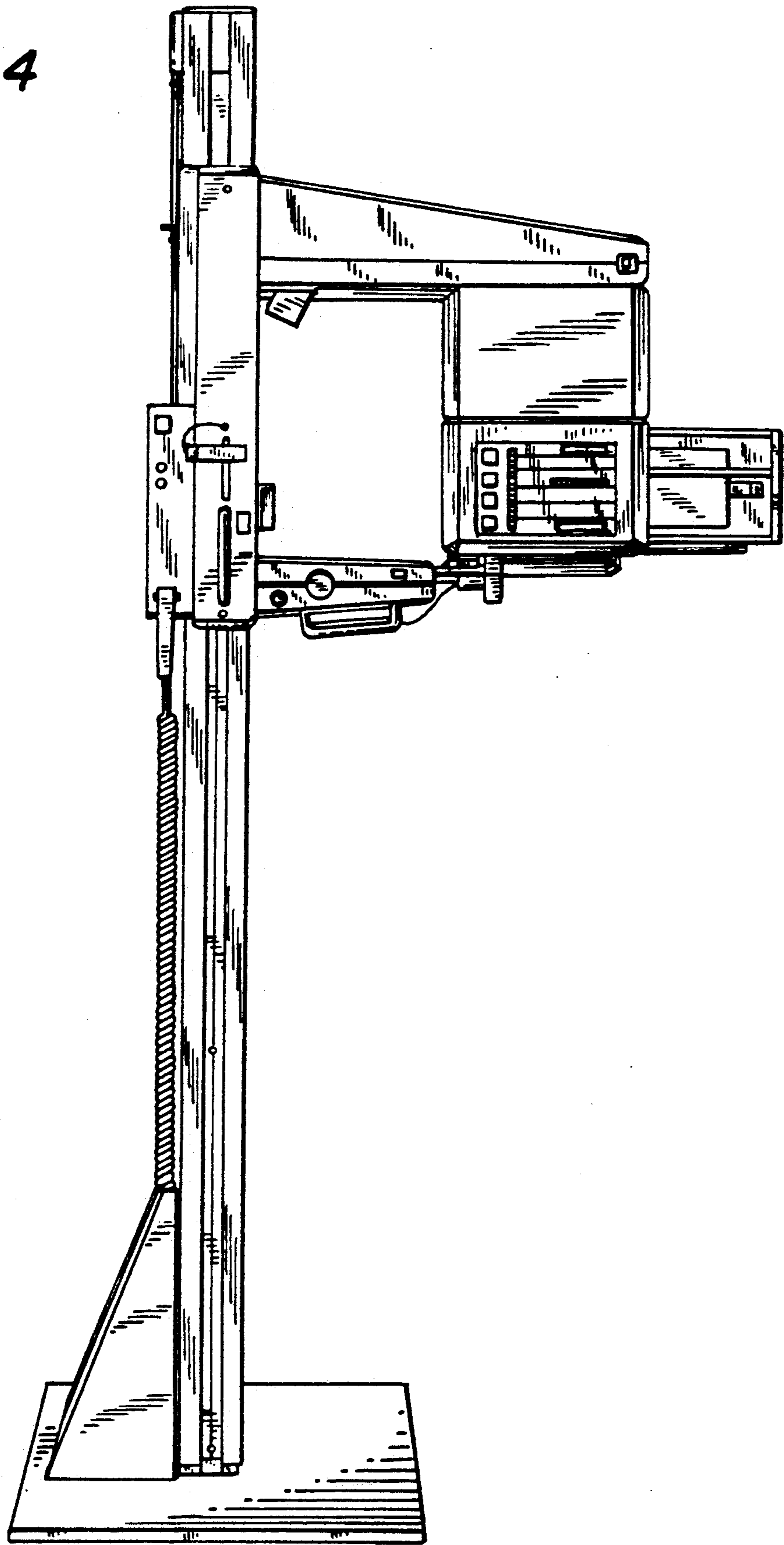


FIG. 5

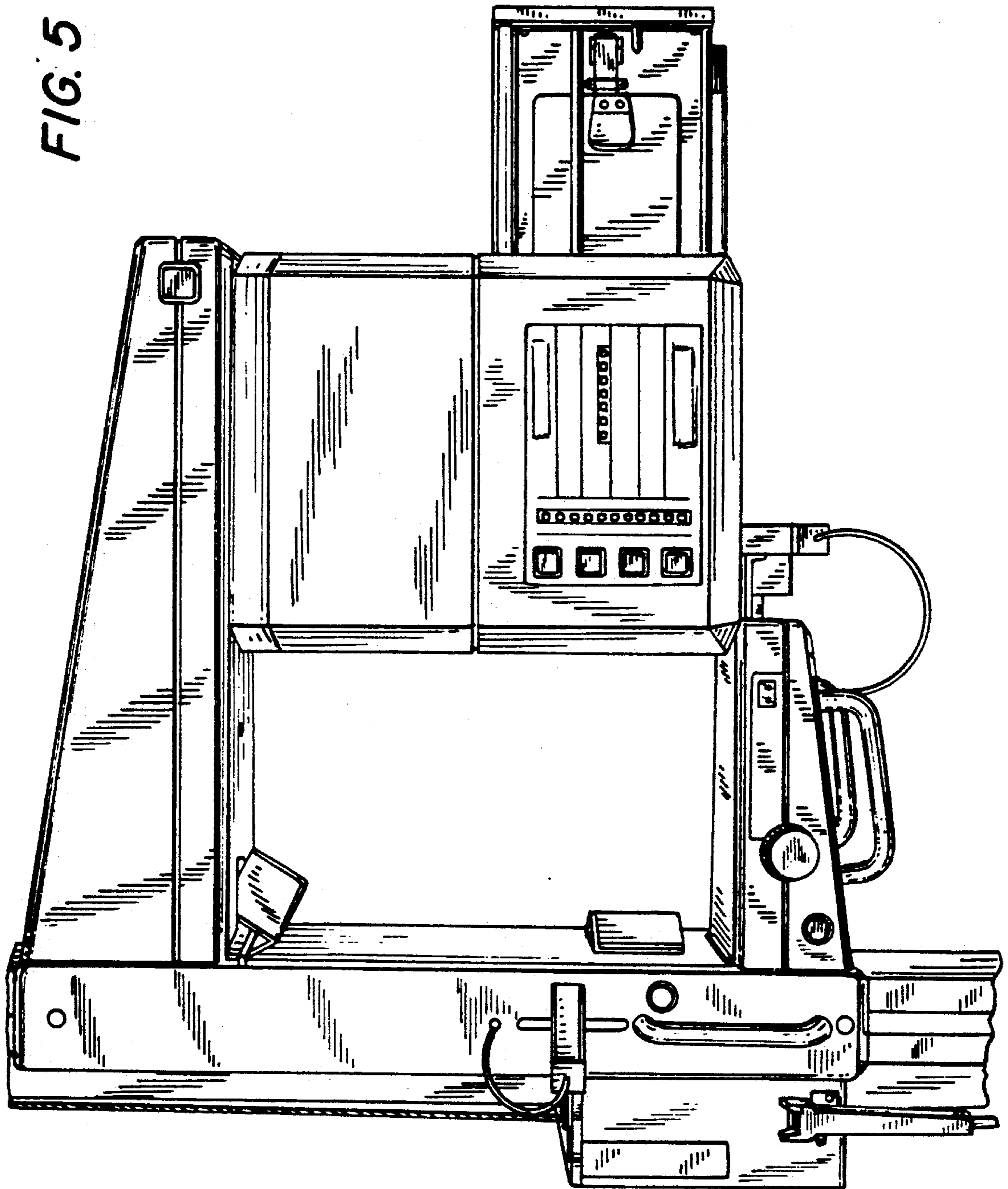


FIG. 6

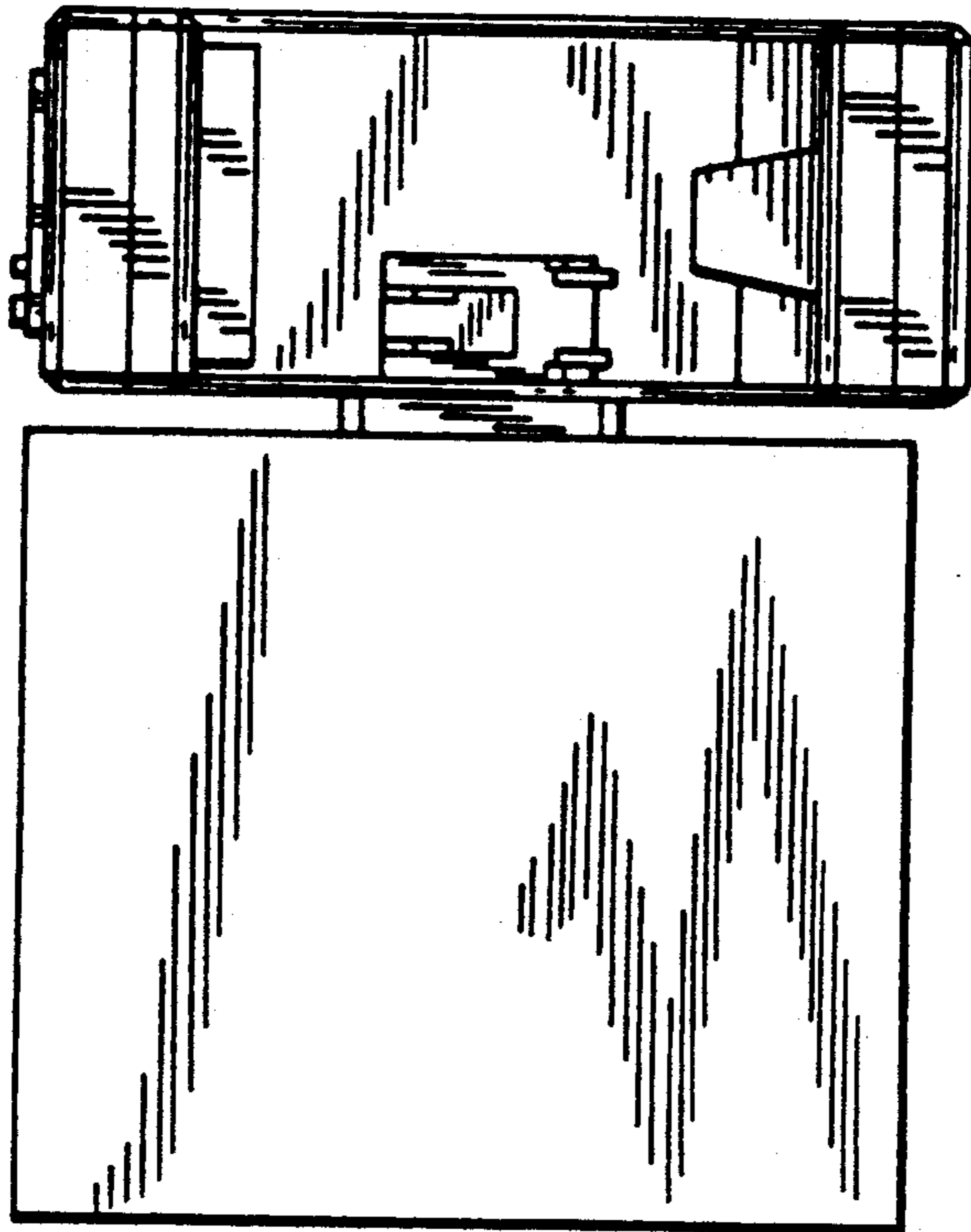
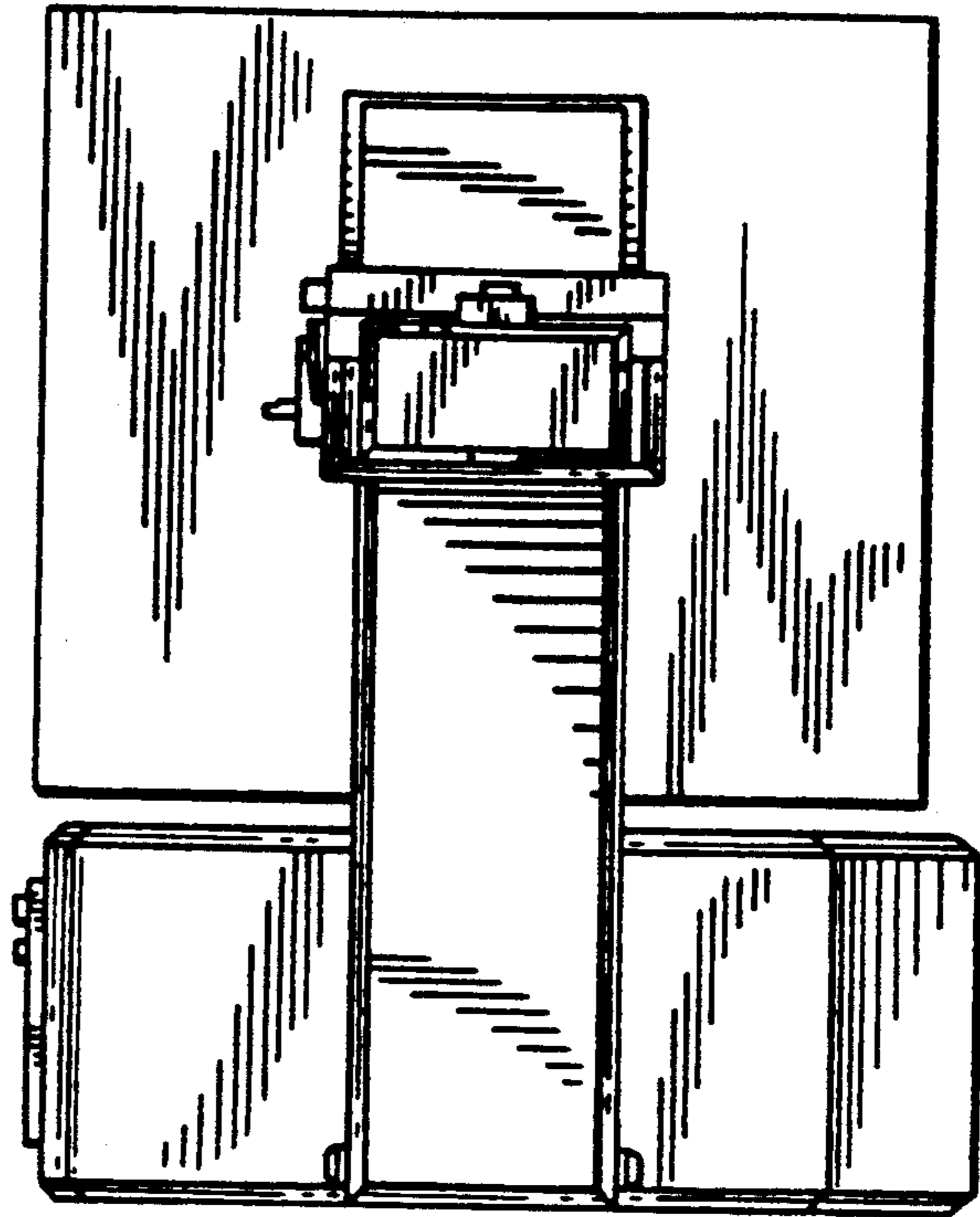


FIG. 7

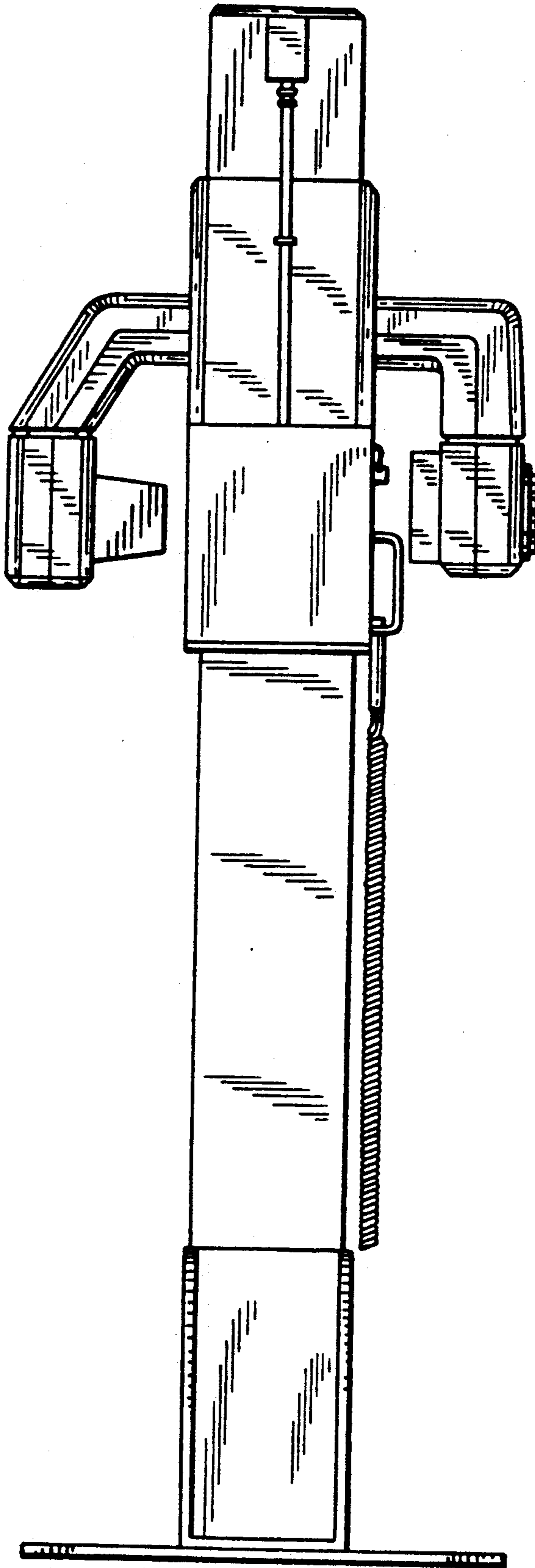


FIG. 8