



US00D323878S

United States Patent [19]

[11] Patent Number: Des. 323,878

Sauter et al.

[45] Date of Patent: ** Feb. 11, 1992

[54] SINK

[75] Inventors: **Bruce M. Sauter**, Schaumburg, Ill.;
Raymond A. Dickson, Jr., Searcy, Ark.

[73] Assignee: **Kohler Co.**, Kohler, Wis.

[*] Notice: The portion of the term of this patent subsequent to Feb. 11, 2006 has been disclaimed.

[**] Term: **14 Years**

[21] Appl. No.: **331,578**

[22] Filed: **Mar. 30, 1989**

[52] U.S. Cl. **D23/290**

[58] Field of Search **D23/270-274, D23/284-294, 308; 4/619, 625, 630-659**

[56] **References Cited**
PUBLICATIONS

Domestic Engineering, Oct. 1986, p. 108, top right item.
Domestic Engineering, Mar. 1988, p. 75, bottom right item.
A brochure showing the LCGR-3822-R Sink, undated, company unknown, (admitted prior art).

P. 10-8 of the Kohler Co. K-400 Catalog dated 1986, showing the "Delafield" Sink.

P. 20 of an Elkay brochure, showing the PSR-3321 Sink, undated, (admitted prior art).

Polar Advertisement for the "Banner" Stainless Steel Sink, undated, (admitted prior art).

Primary Examiner—James R. Largen
Attorney, Agent, or Firm—Quarles & Brady

[57] **CLAIM**

The ornamental design for a sink, as shown and described.

DESCRIPTION

FIG. 1 is a perspective view taken from the top, front and right side of a sink showing our new design;

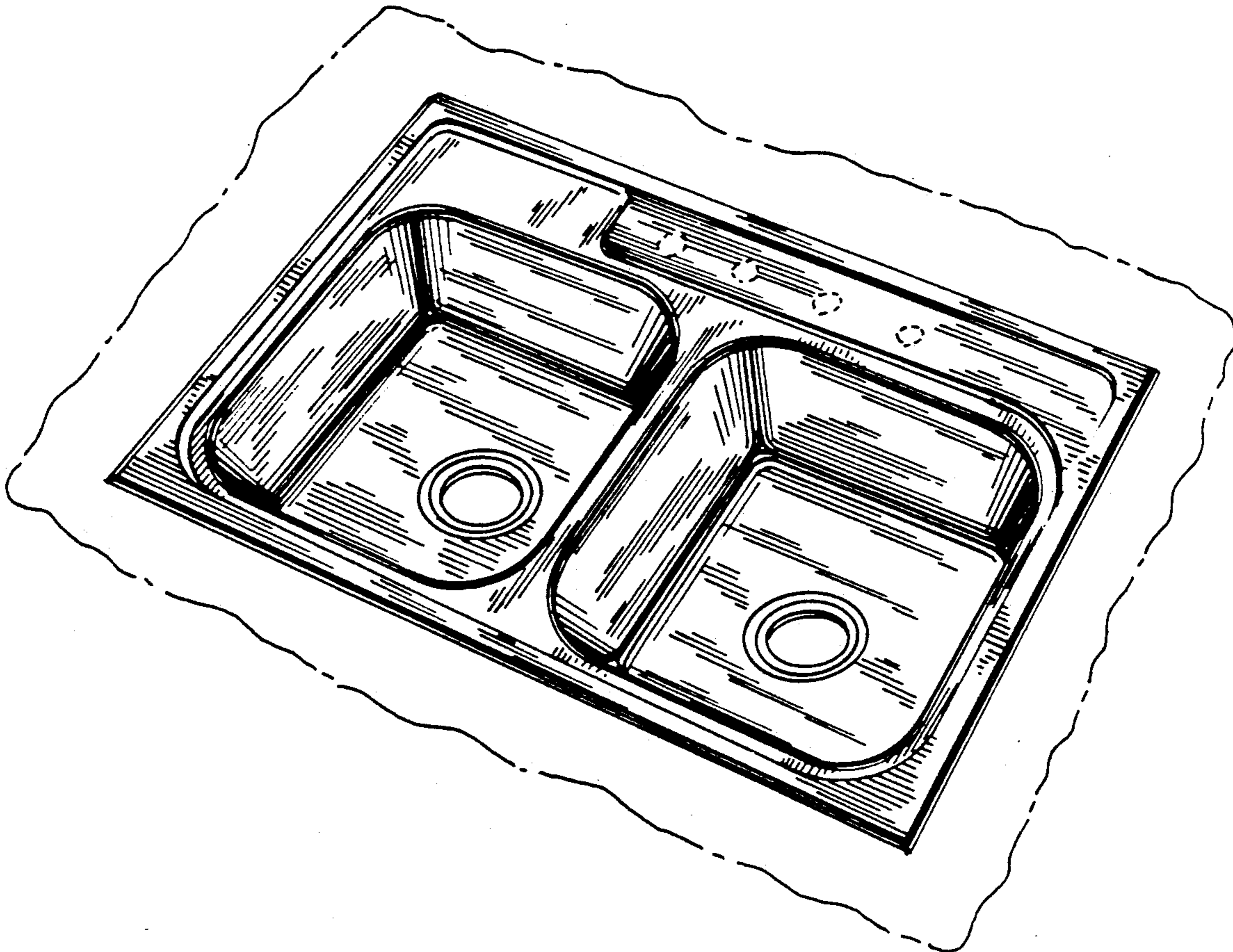
FIG. 2 is a top plan view thereof;

FIG. 3 is a cross-sectional view taken on line 3—3 of FIG. 2;

FIG. 4 is a cross-sectional view taken on line 4—4 of FIG. 2; and

FIG. 5 is a cross-sectional view taken on line 5—5 of FIG. 2.

The broken line representation of holes and the fragmentary broken line representation of a counter top in FIG. 1 are for purposes of illustration only and form no part of the claimed design.



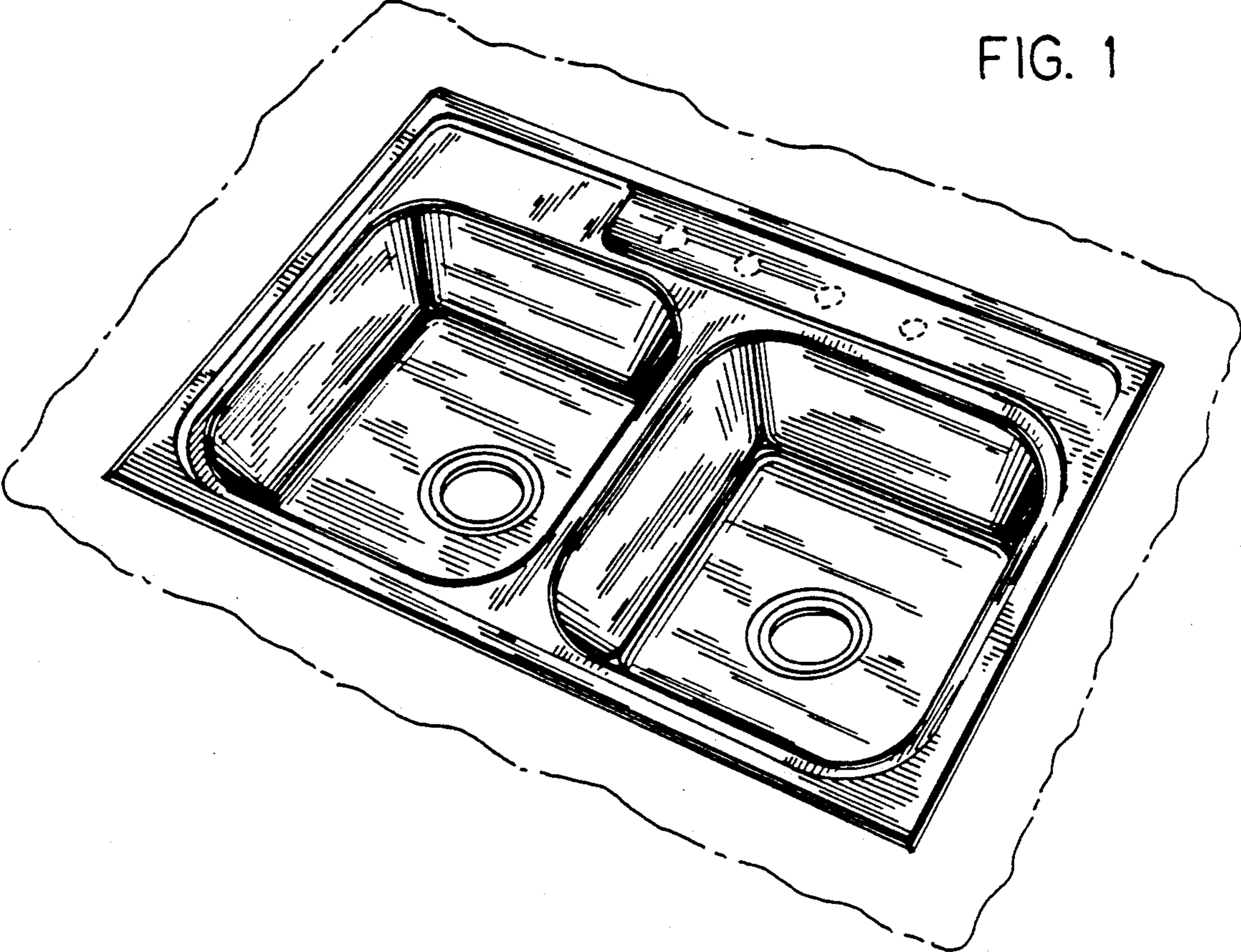


FIG. 1

FIG. 5



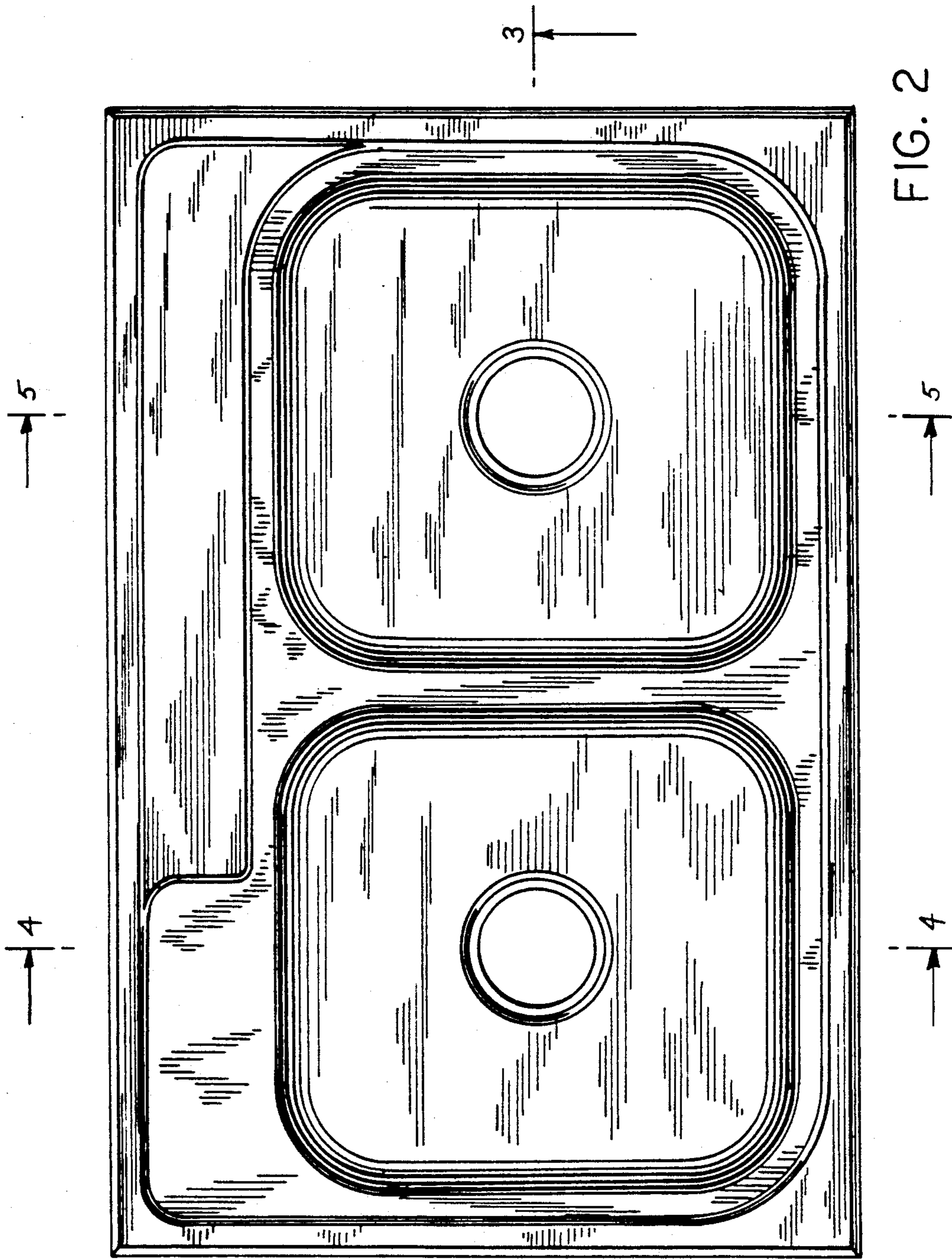


FIG. 2

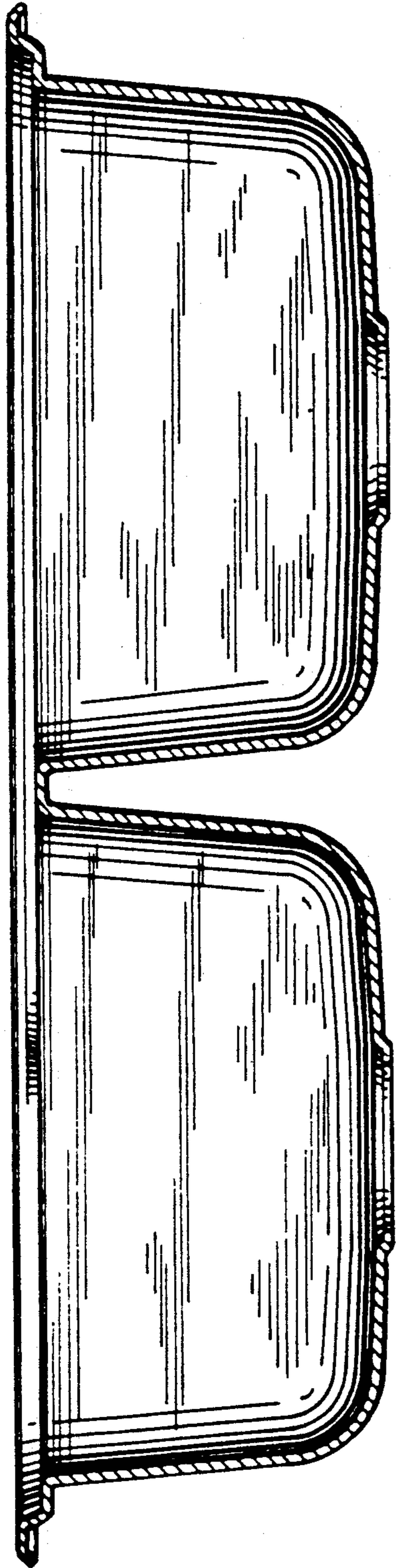


FIG. 3

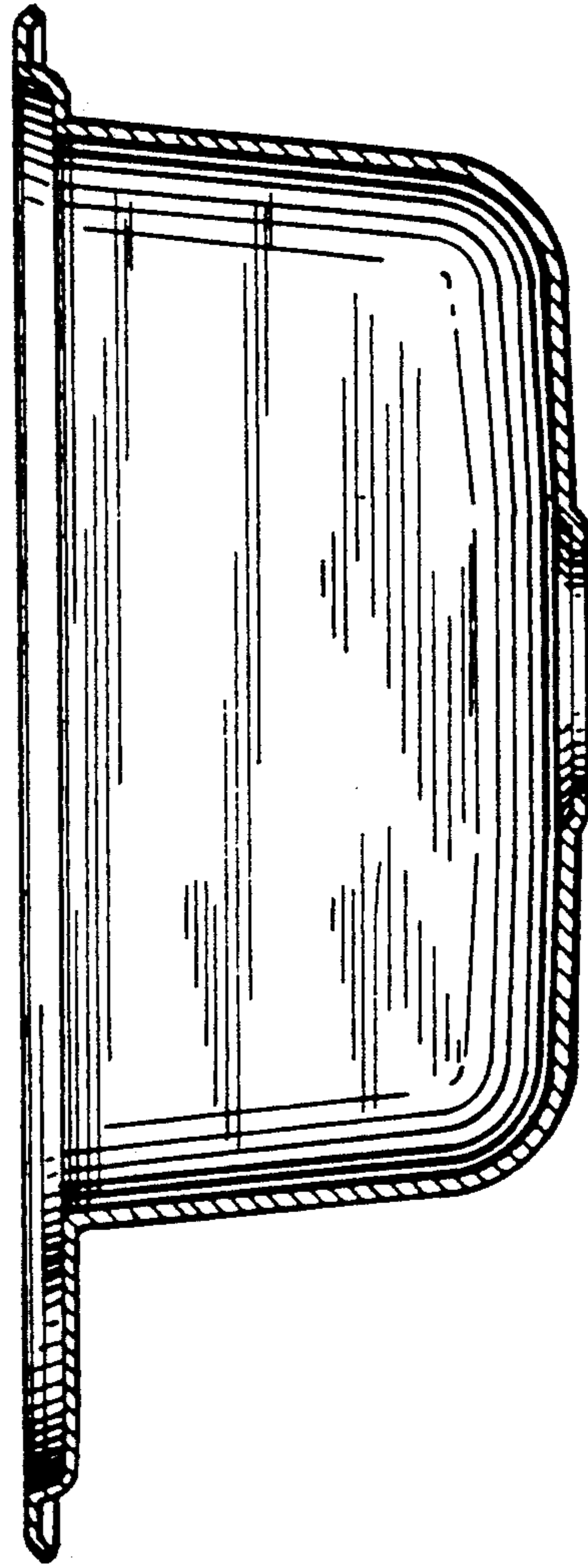


FIG. 4