



US00D323874S

United States Patent [19]

[11] Patent Number: **Des. 323,874**

Hirman et al.

[45] Date of Patent: **** Feb. 11, 1992**

[54] **COUNTER-TOP WATER FILTER**

[75] Inventors: **Bernie R. Hirman, Elk River; Bruce D. Saaski, Bloomington, both of Minn.**

[73] Assignee: **Ecowater Systems, Inc., Woodbury, Minn.**

[**] Term: **14 Years**

[21] Appl. No.: **500,282**

[22] Filed: **Mar. 28, 1990**

[52] U.S. Cl. **D23/209**

[58] Field of Search **D23/207-210; 210/97, 198.1, 205-206, 231, 244-246, 257.1-257.2, 258, 260-261, 282, 287-290, 295, 321.6, 321.78, 416.3, 443-449; D9/309-310, 372-374**

4,306,971	12/1981	Hankammer	210/282
4,623,457	11/1986	Hankammer	210/237
4,666,600	5/1987	Hankammer	210/266
4,842,724	6/1989	Bray et al.	210/416.3 X

FOREIGN PATENT DOCUMENTS

626610	12/1962	Belgium	.
1142137	9/1957	France	.
8764	of 1892	United Kingdom	.

Primary Examiner—Wallace R. Burke
Assistant Examiner—M. H. Tung
Attorney, Agent, or Firm—Jon Carl Gealow; James M. Wetzel; JoAnne M. Denison

[57] **CLAIM**

The ornamental design for a counter-top water filter, as shown and described.

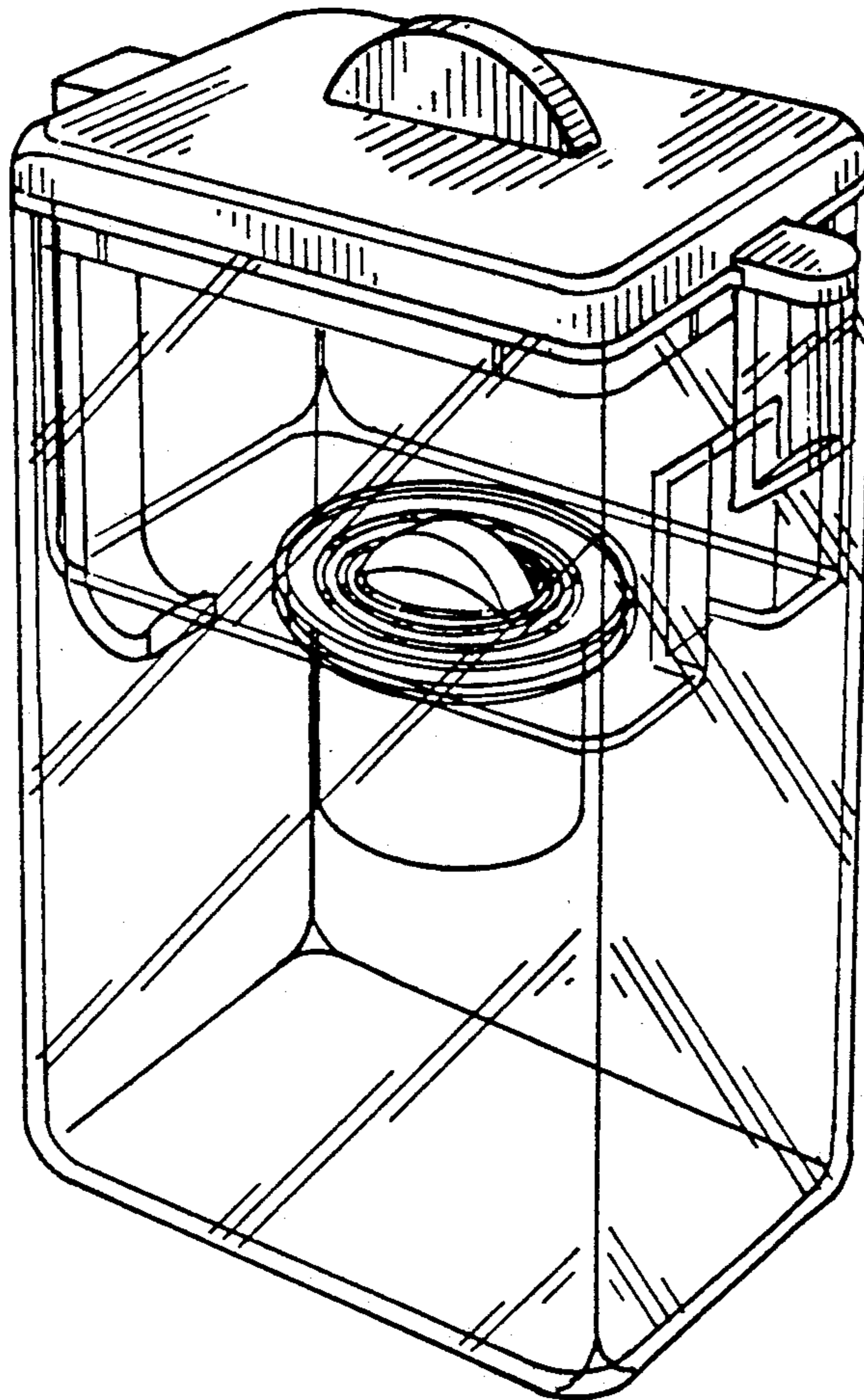
DESCRIPTION

FIG. 1 is a perspective view of a counter-top water filter showing our new design; FIG. 2 is a left side elevational view thereof; FIG. 3 is a right side elevational view thereof; FIG. 4 is a front elevational view thereof; FIG. 5 is a top plan view thereof; and FIG. 6 is a top plan view thereof, the cover omitted for clarity of illustration.

[56] **References Cited**

U.S. PATENT DOCUMENTS

D. 249,275	9/1978	Mackay et al.	D23/209
D. 290,386	6/1987	Padula	D23/207
D. 313,642	1/1991	Carrano et al.	D23/207
421,777	2/1890	Stanton	.	
967,905	8/1910	Hagg	.	
1,052,440	2/1913	Hagg	.	



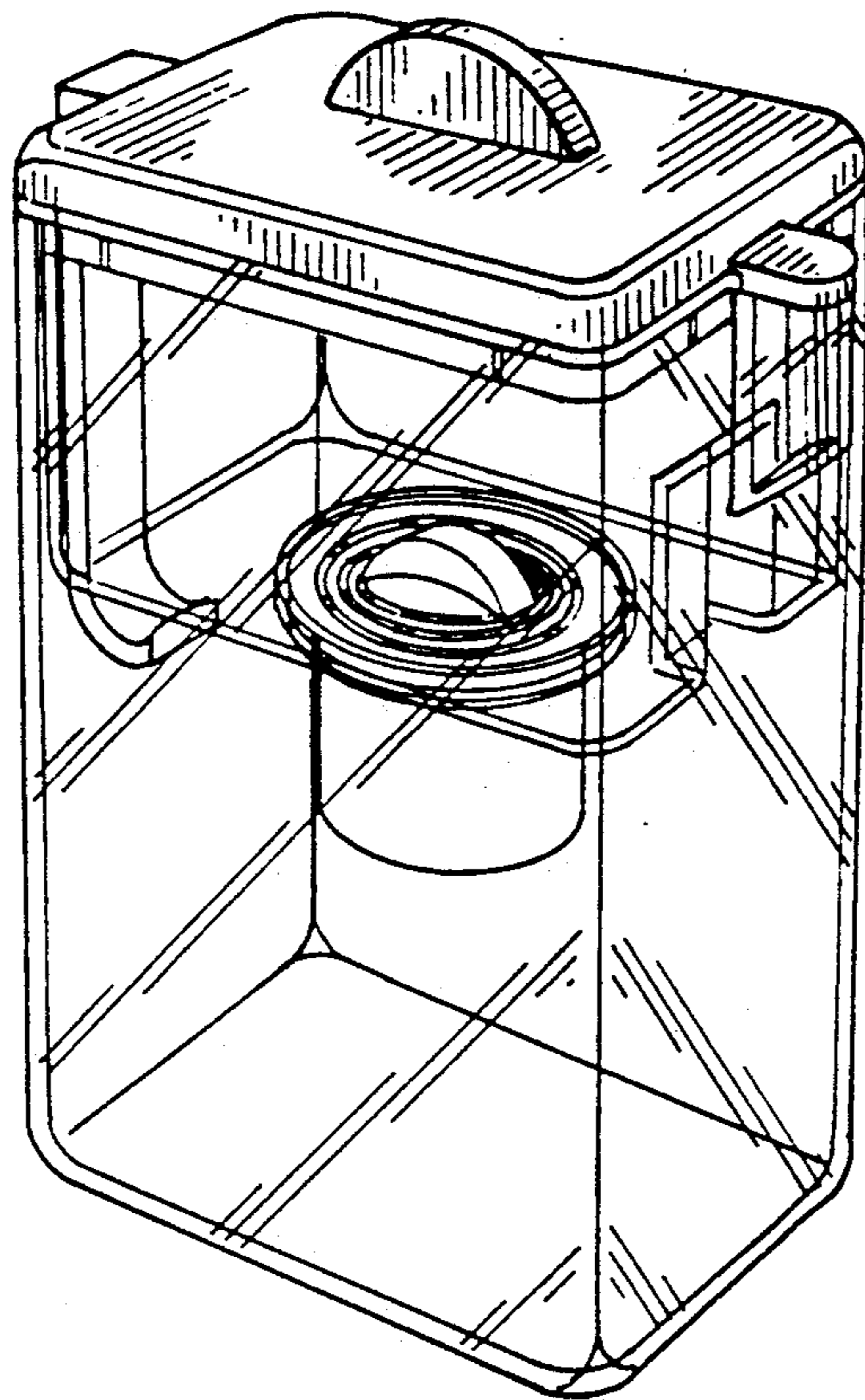


Fig. 1

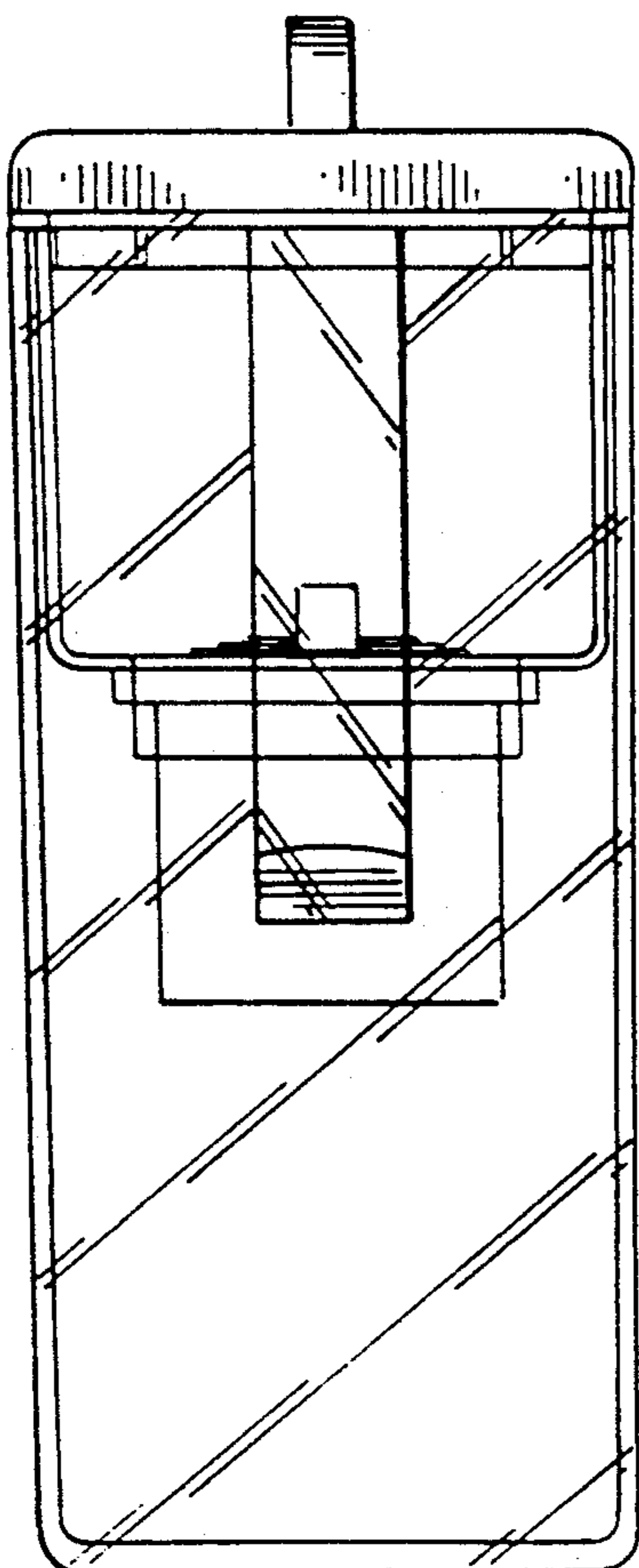


Fig. 2

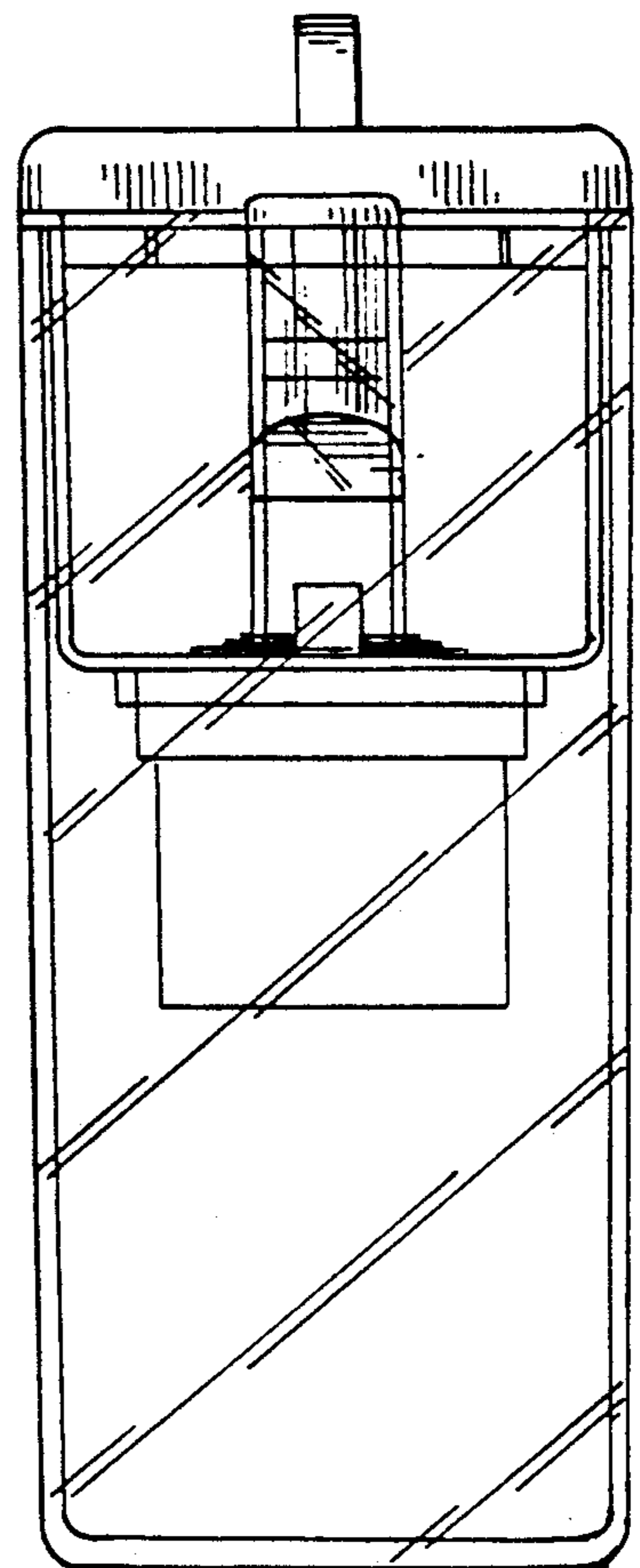


Fig. 3

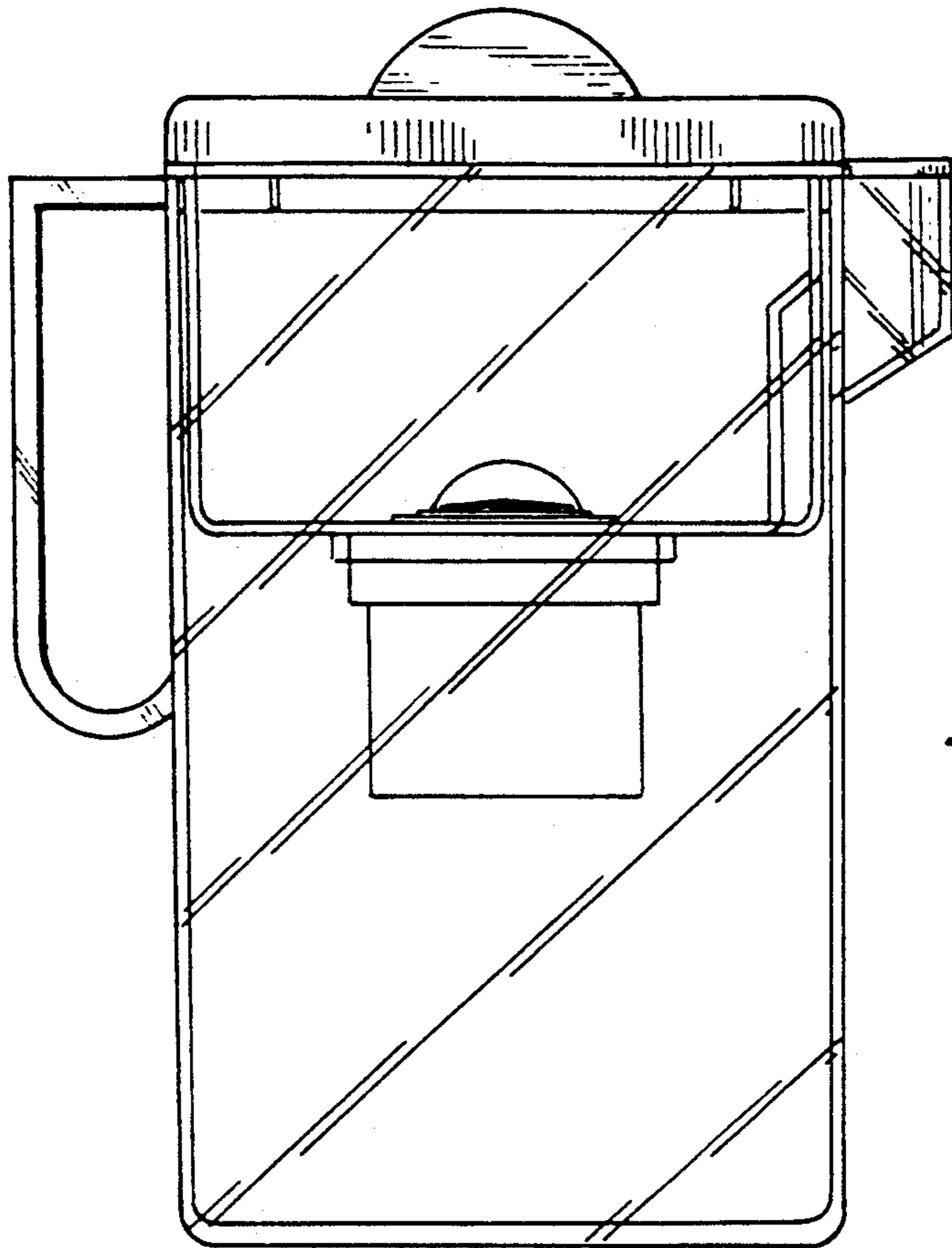


Fig. 4

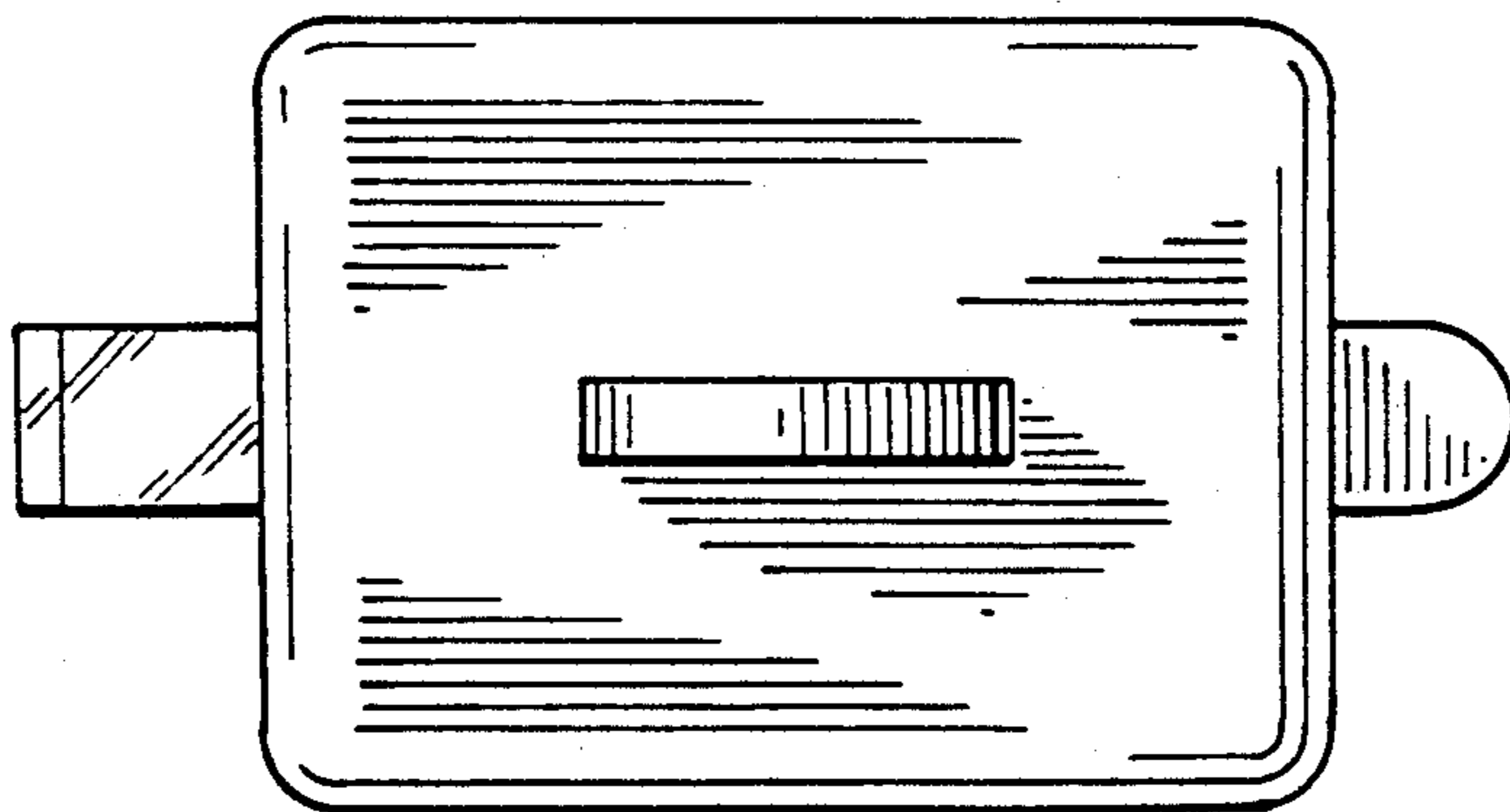


Fig. 5

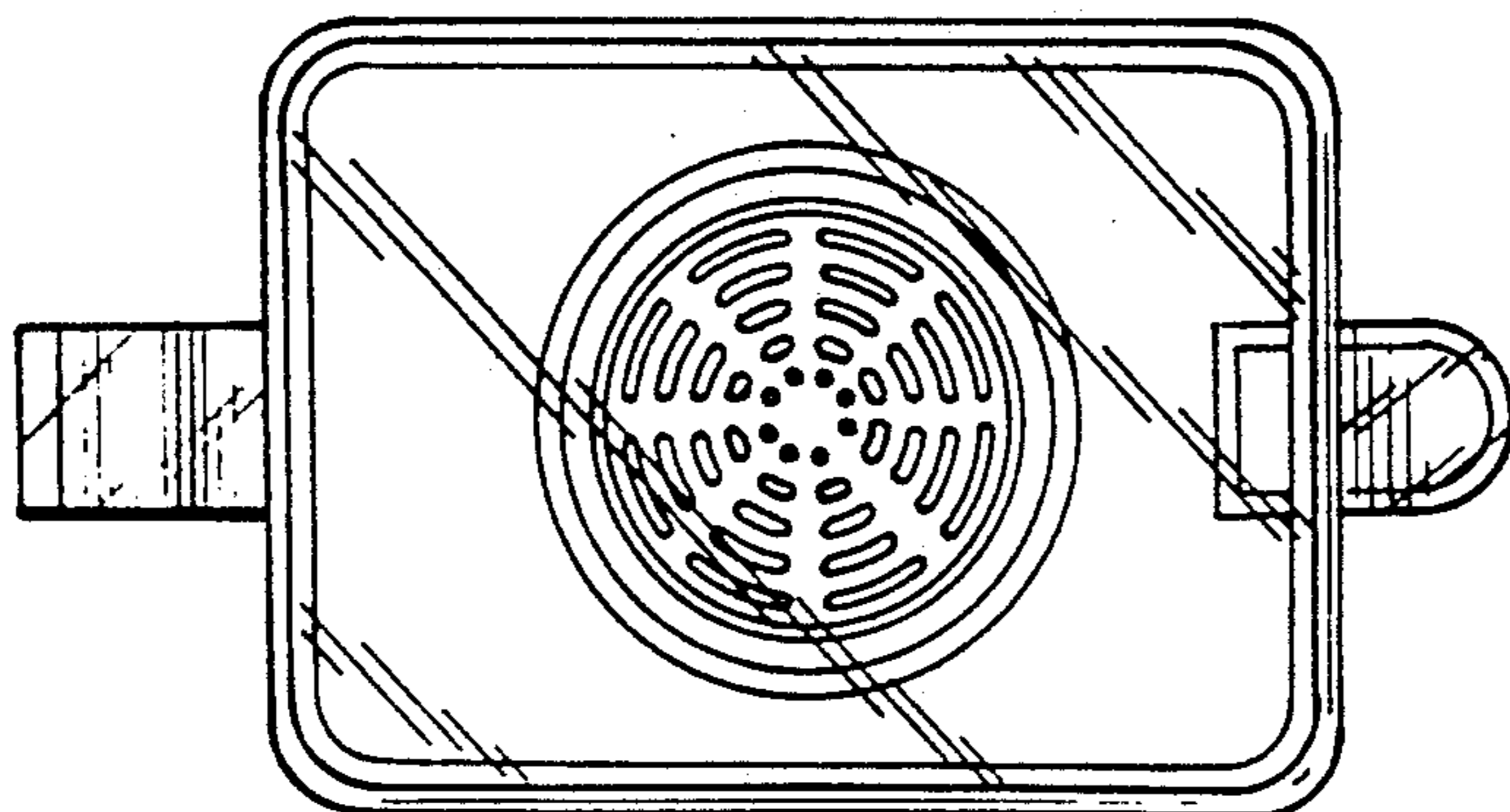


Fig. 6