



US00D323867S

United States Patent [19]

[11] Patent Number: **Des. 323,867**

Rizzotto

[45] Date of Patent: **** Feb. 11, 1992**

[54] **GOLF PUTTER HEAD**

[76] Inventor: **Bennie J. Rizzotto**, 33501 Atlantic Ave., Laguna Niguel, Calif. 92677

[**] Term: **14 Years**

[21] Appl. No.: **396,467**

[22] Filed: **Aug. 21, 1989**

[52] U.S. Cl. **D21/219**

[58] Field of Search **D21/214-220; 273/164, 167-175**

[56] **References Cited**

U.S. PATENT DOCUMENTS

4,741,535 5/1988 Leonhardt 273/164

OTHER PUBLICATIONS

Golf World, Nov. 11, 1983, p. 26, upper right, Taylor Raylor Putter.

Golf Digest, May 1965, p. 24, lower left, Putter.

Primary Examiner—Melvin B. Feifer

Attorney, Agent, or Firm—Knobbe, Martens, Olson & Bear

[57] **CLAIM**

The ornamental design for golf putter head, as shown and described.

DESCRIPTION

FIG. 1 is a perspective view of a first embodiment of my golf putter head design with a shaft shown in dashed

lines for illustrative purposes only. The shaft is not part of the design;

FIG. 2 is an enlarged perspective view of the embodiment of my design showing the top, back and one end; FIG. 3 is a top plan view of the same embodiment of my design;

FIG. 4 is an elevation view of one end of the same embodiment of my design. The other end is a mirror image of the end shown;

FIG. 5 is a bottom plan view of the same embodiment; FIG. 6 is an elevation view of the rear of the same embodiment;

FIG. 7 is an elevation view of the front of the same embodiment;

FIG. 8 is a perspective view of a second embodiment of my golf putter head design with a shaft shown in dashed lines for illustrative purposes only. The shaft is not part of the design;

FIG. 9 is an enlarged perspective view of the second embodiment of my design;

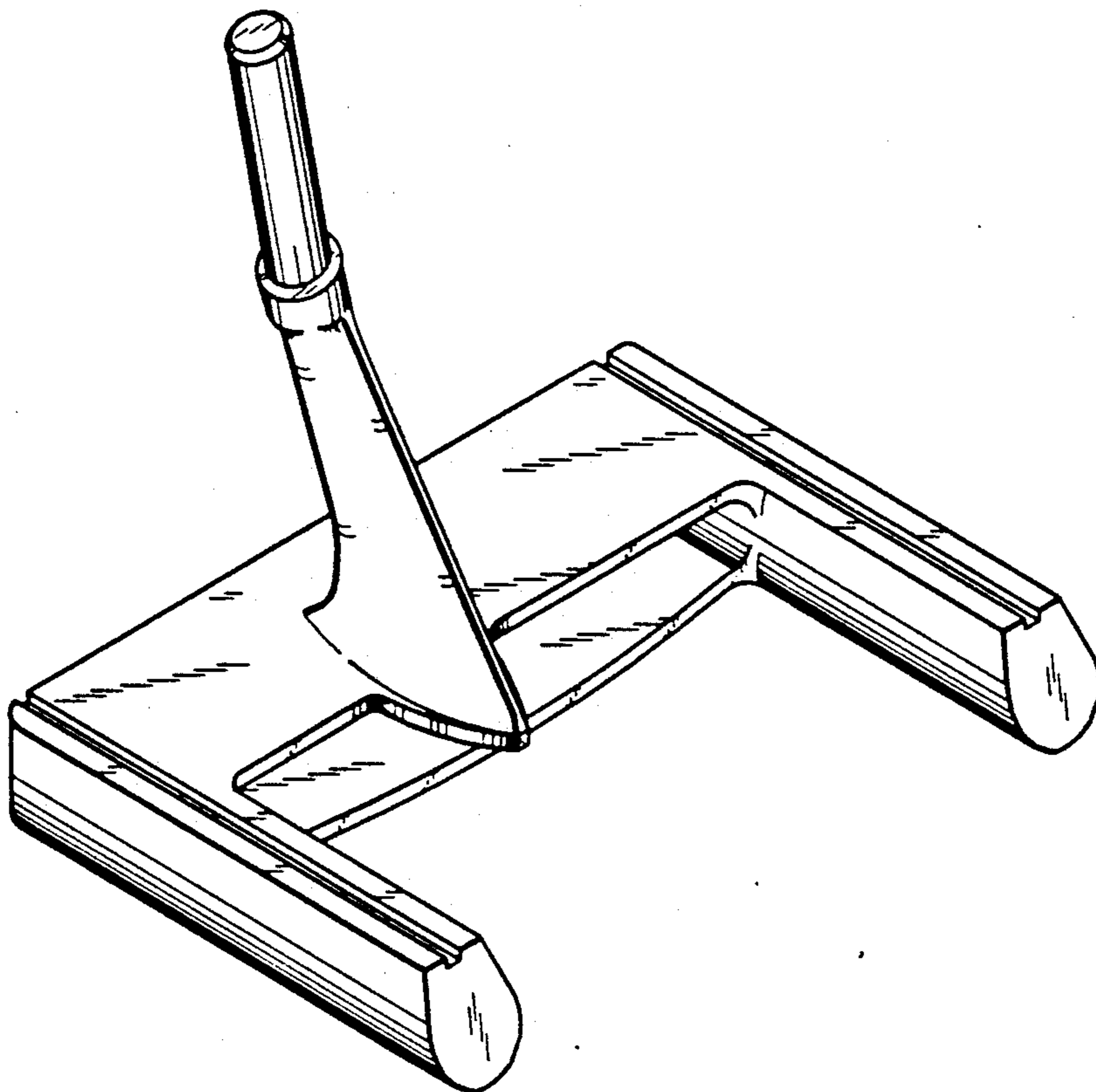
FIG. 10 is a top plan view of the second embodiment of my design;

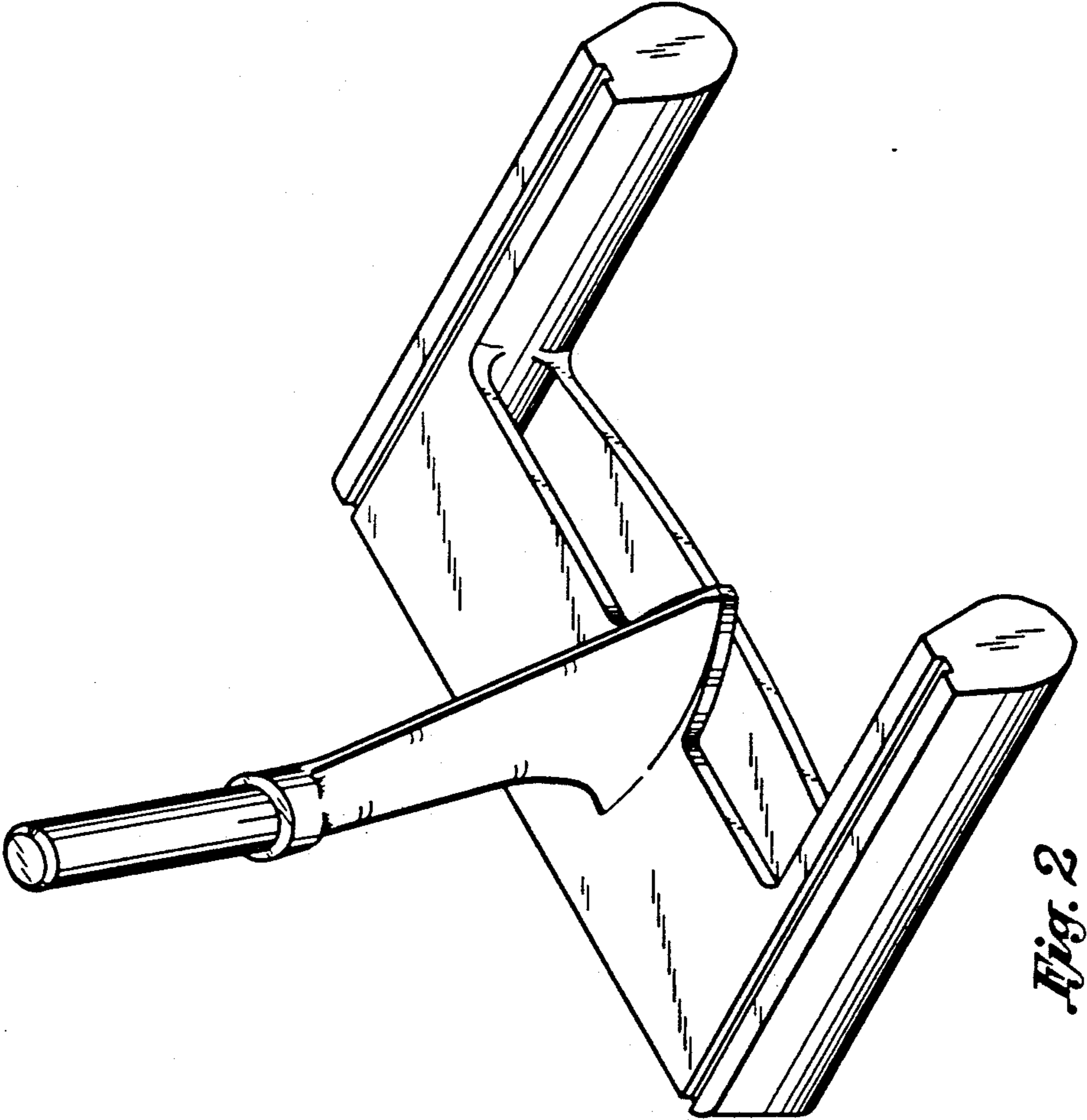
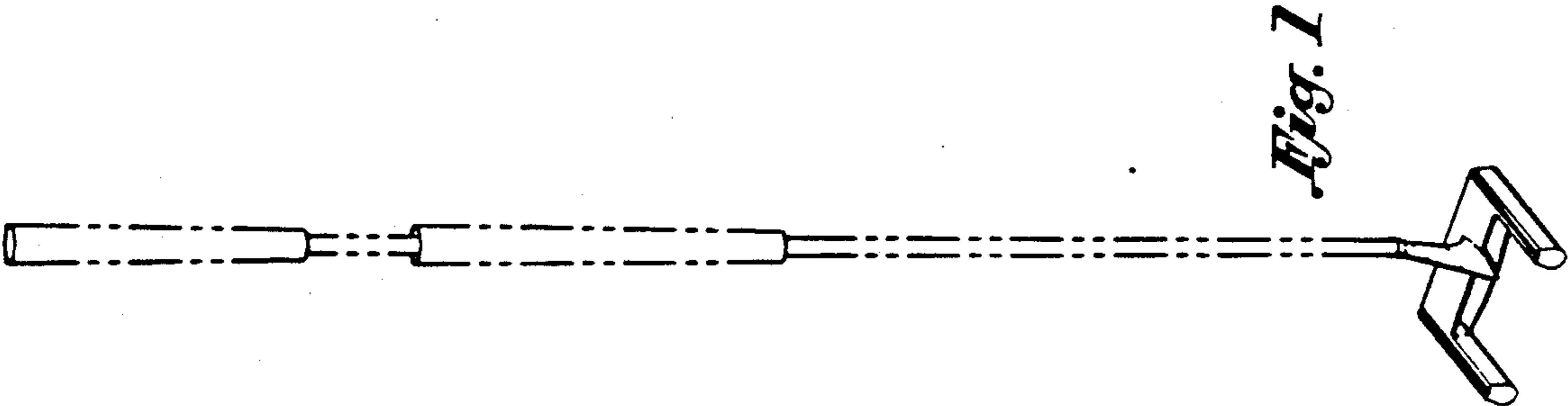
FIG. 11 is an elevation view of one end of the second embodiment of my design the other end is mirror image of the end shown;

FIG. 12 is a bottom plan view of the second embodiment of my design;

FIG. 13 is an elevation view of the rear of the second embodiment of my design; and

FIG. 14 is an elevation view of the front of the second embodiment of my design.





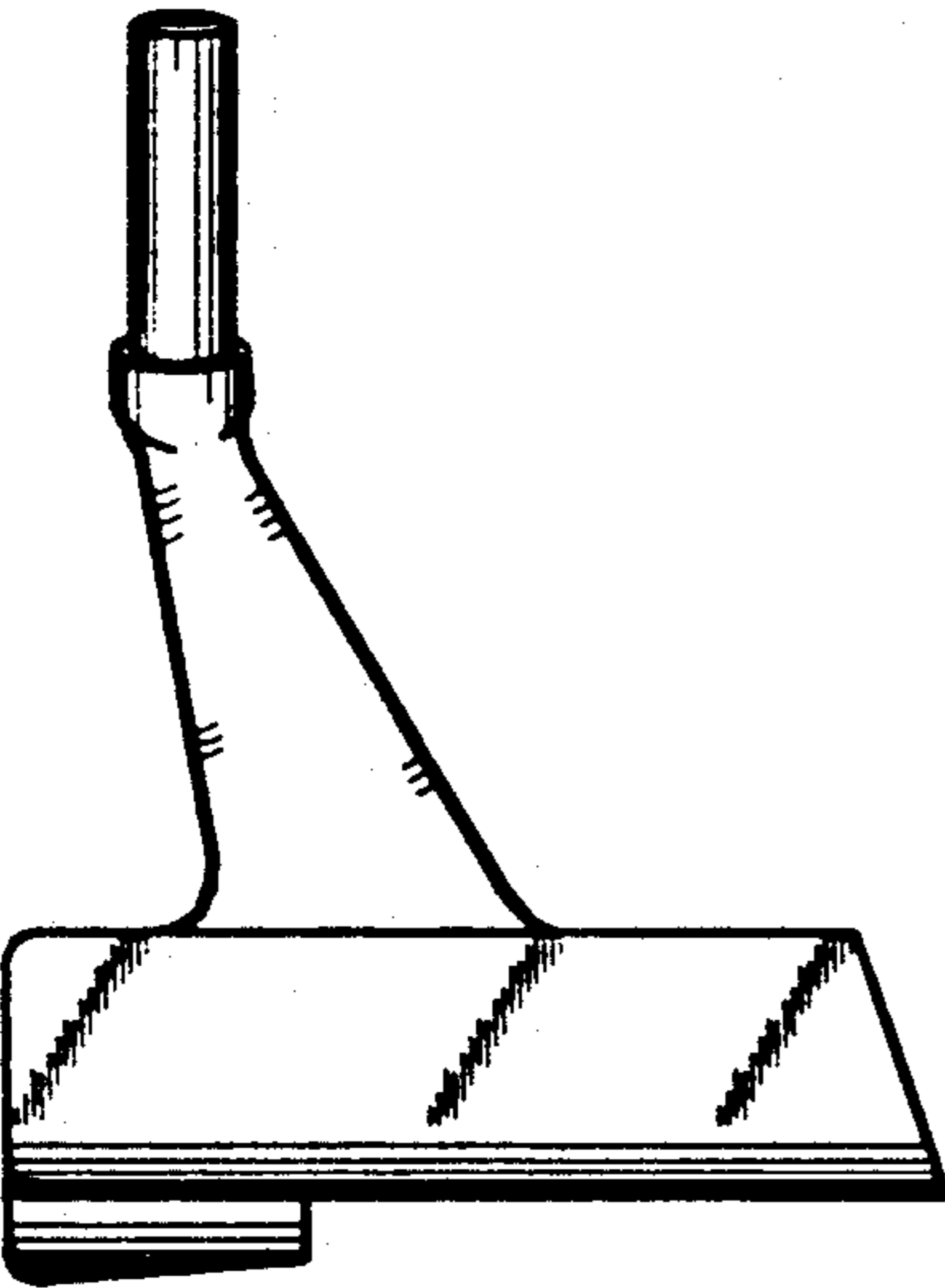
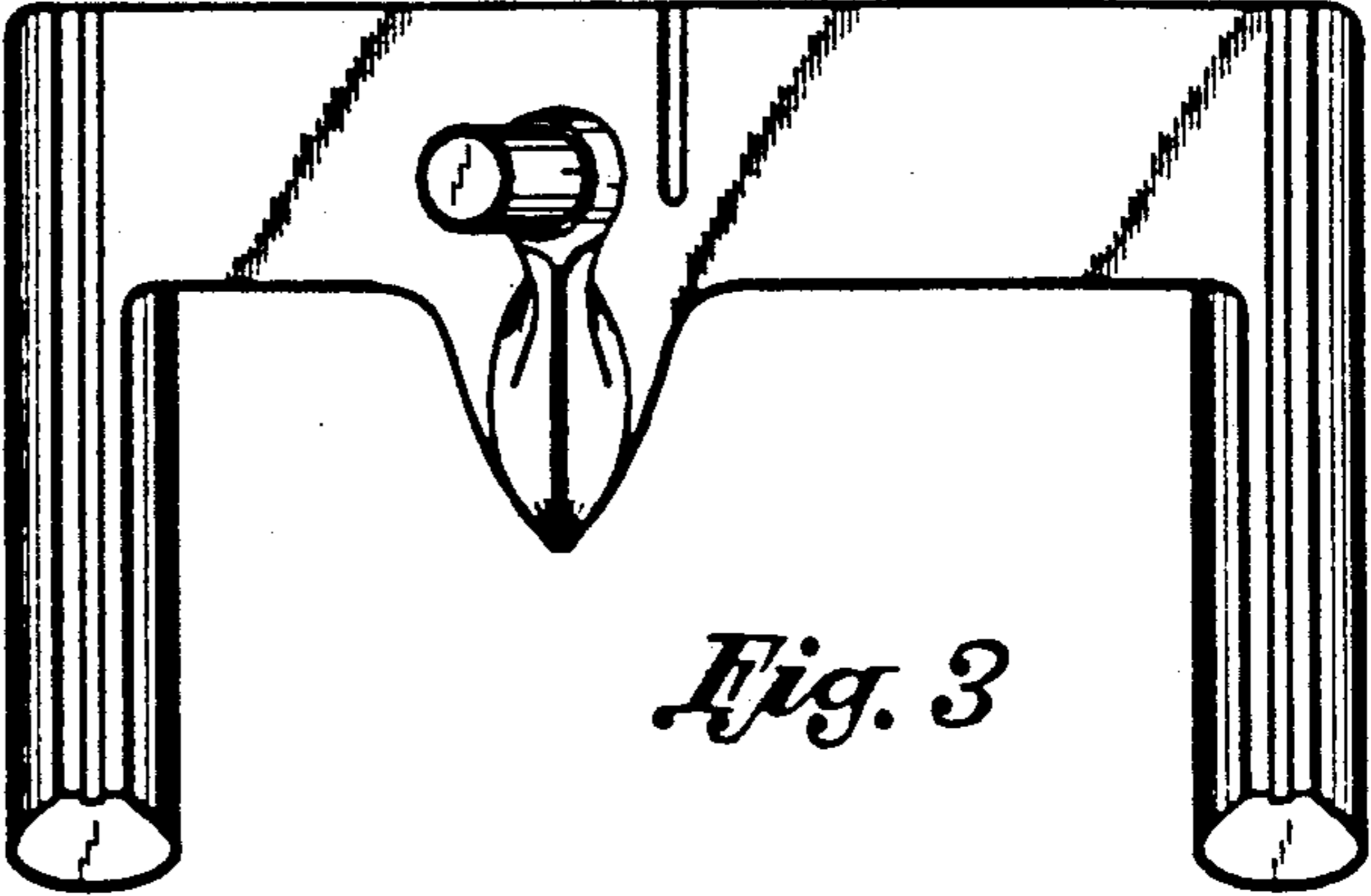


Fig. 4

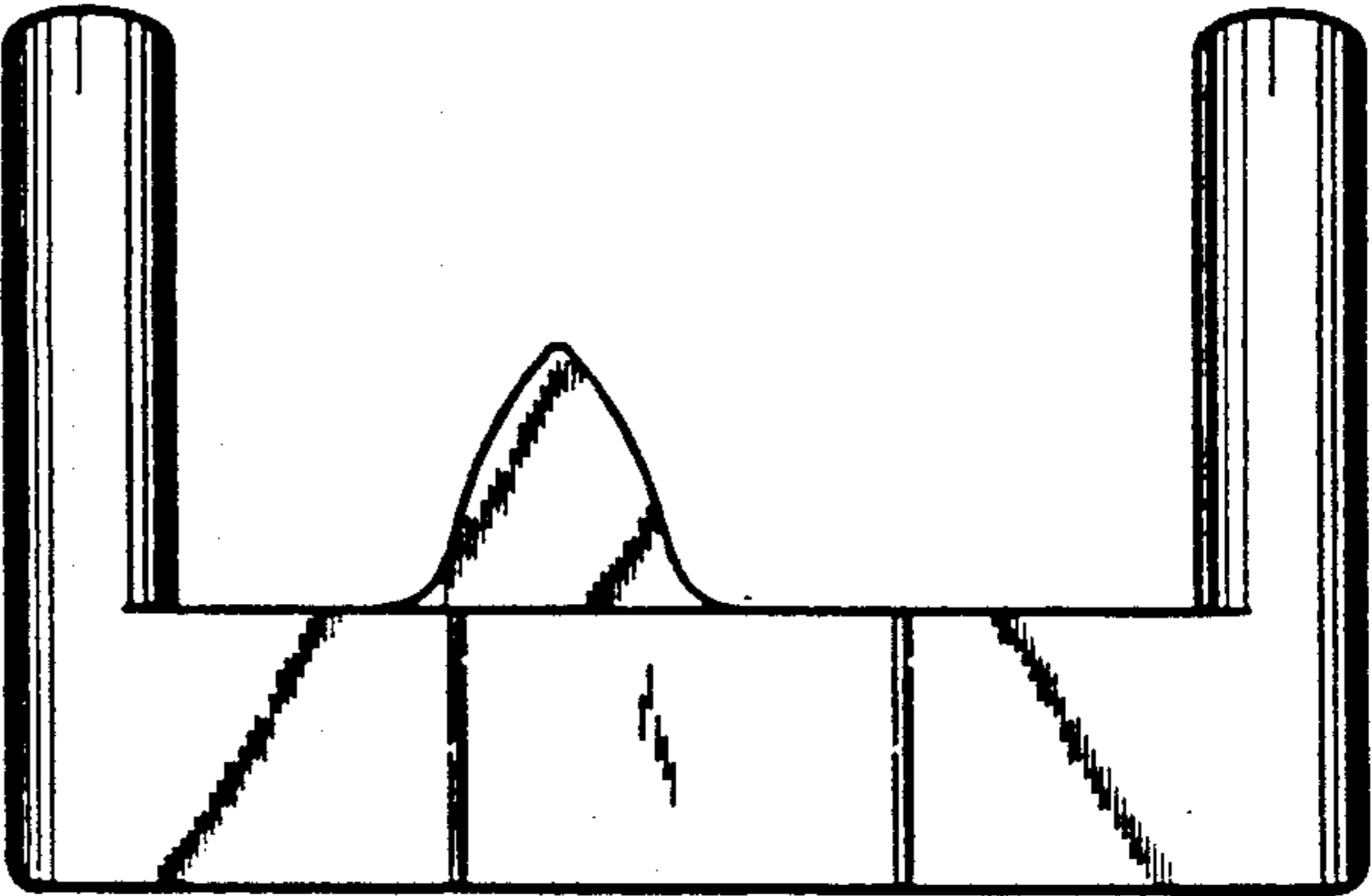


Fig. 5

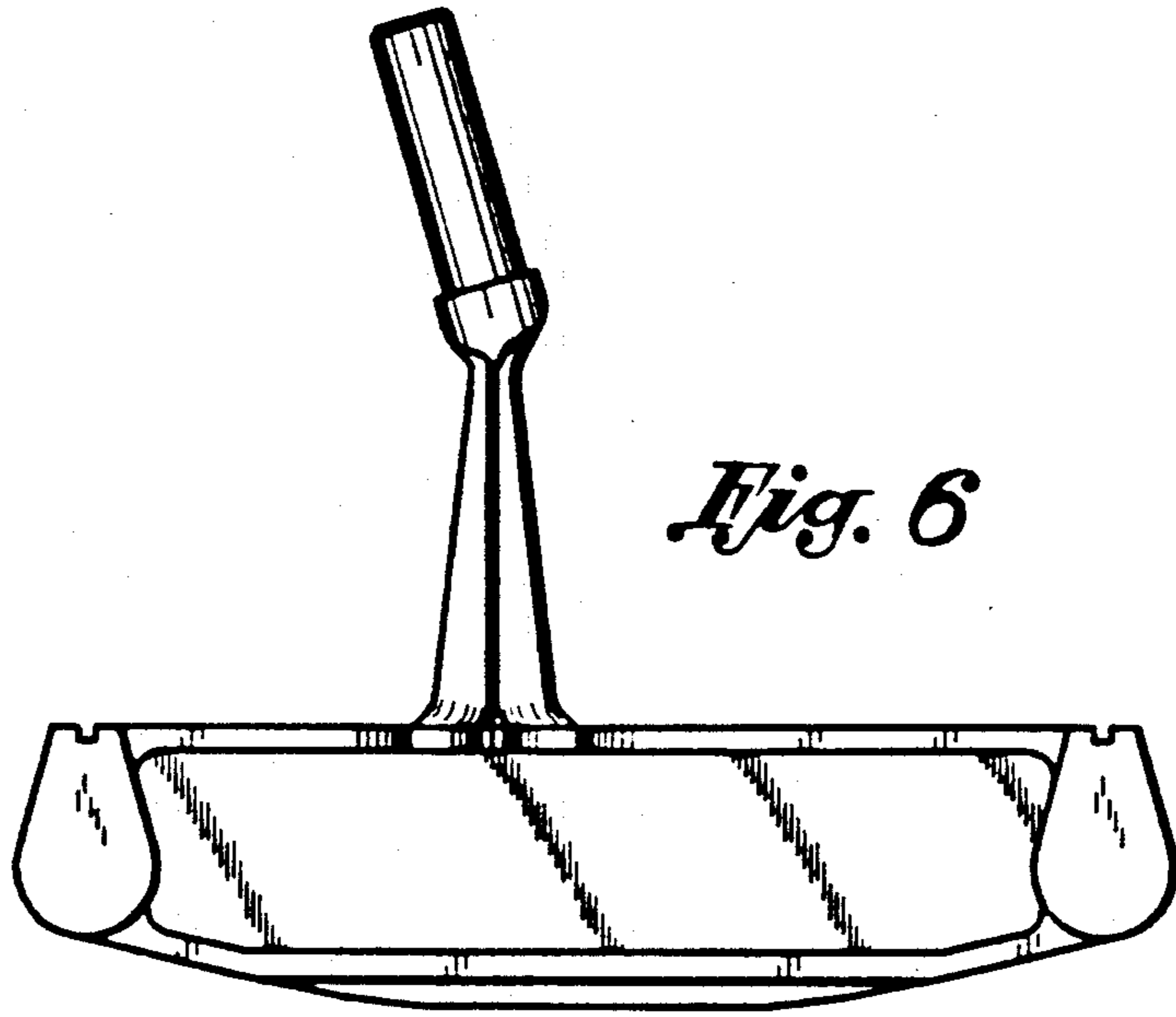


Fig. 6

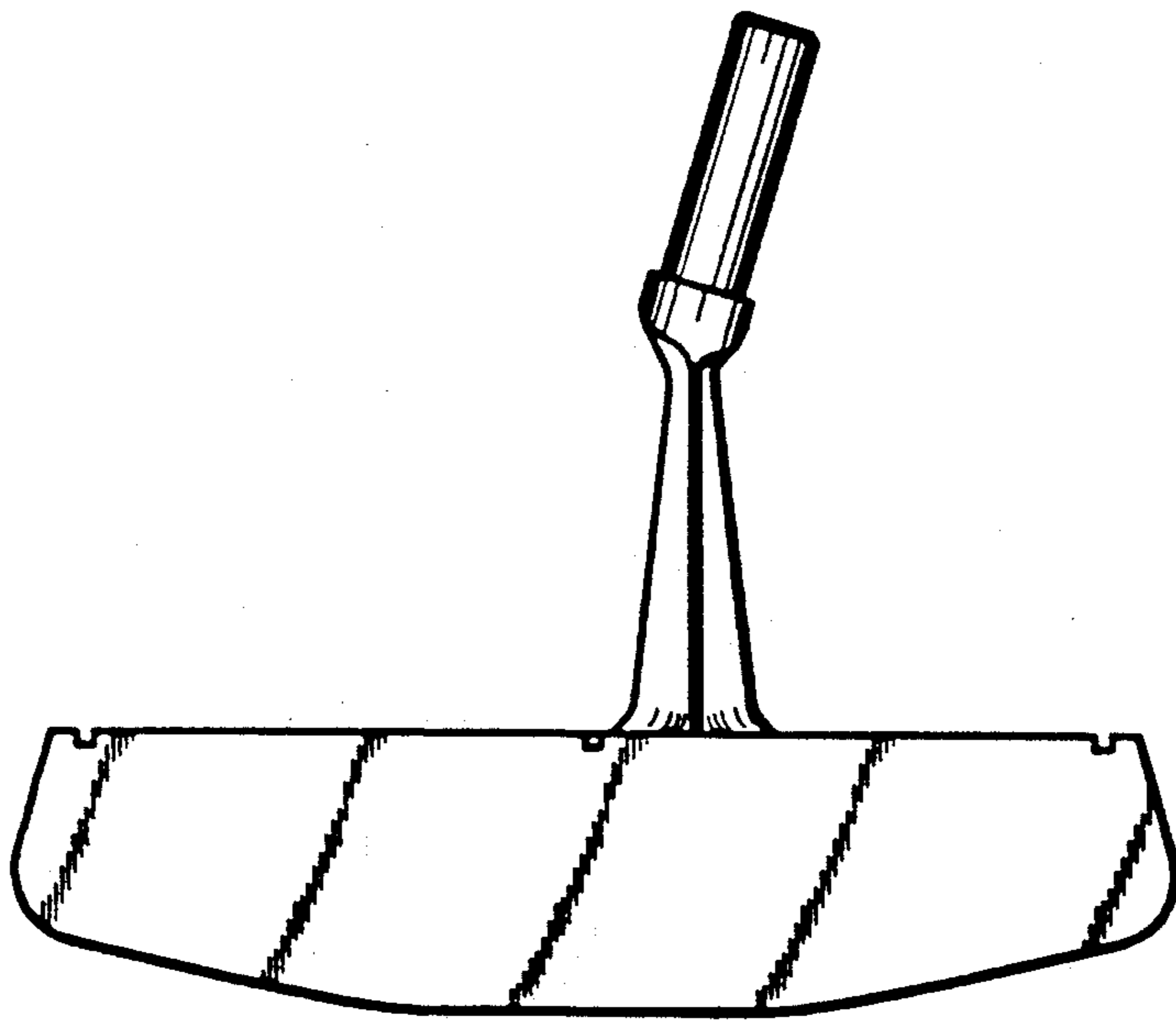


Fig. 7

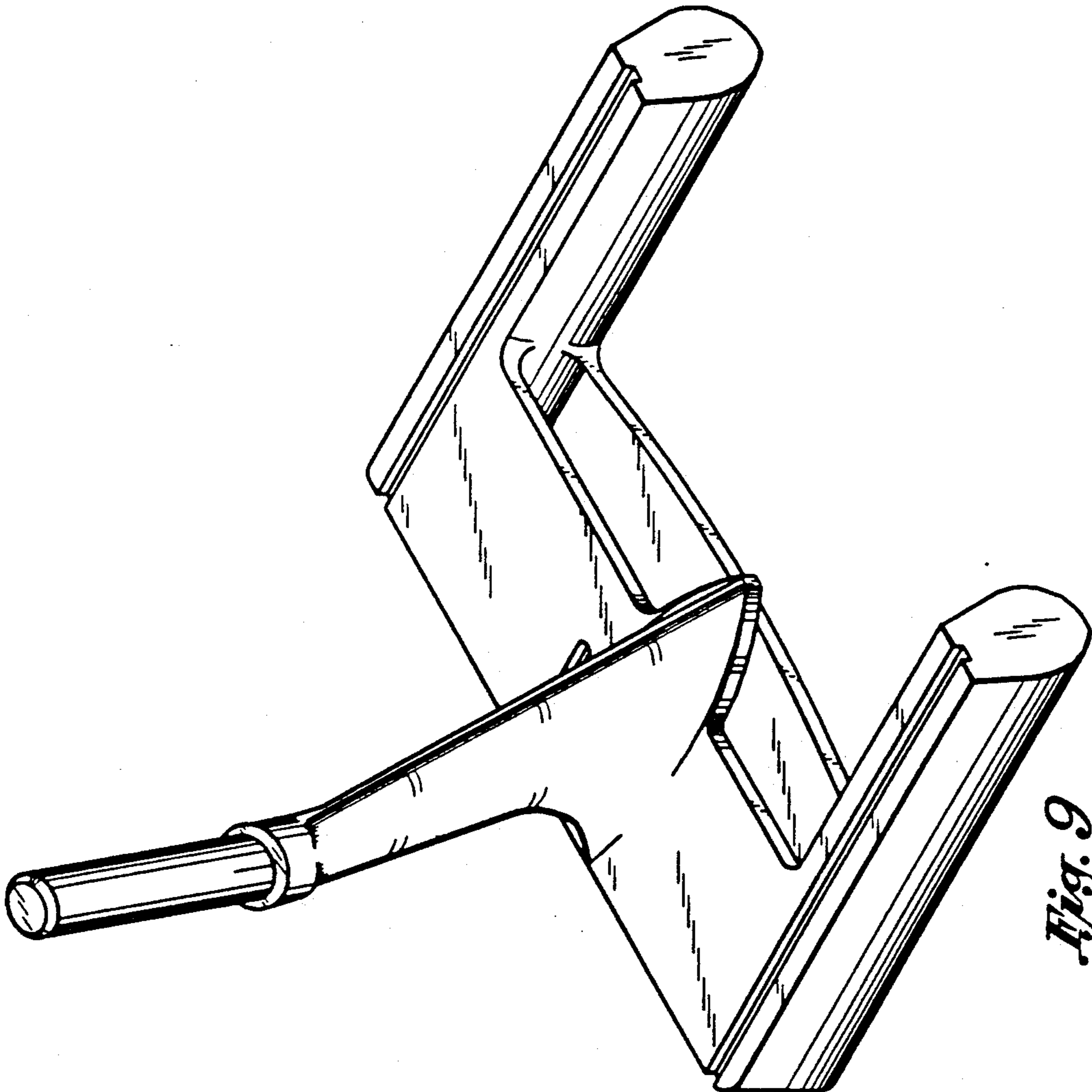
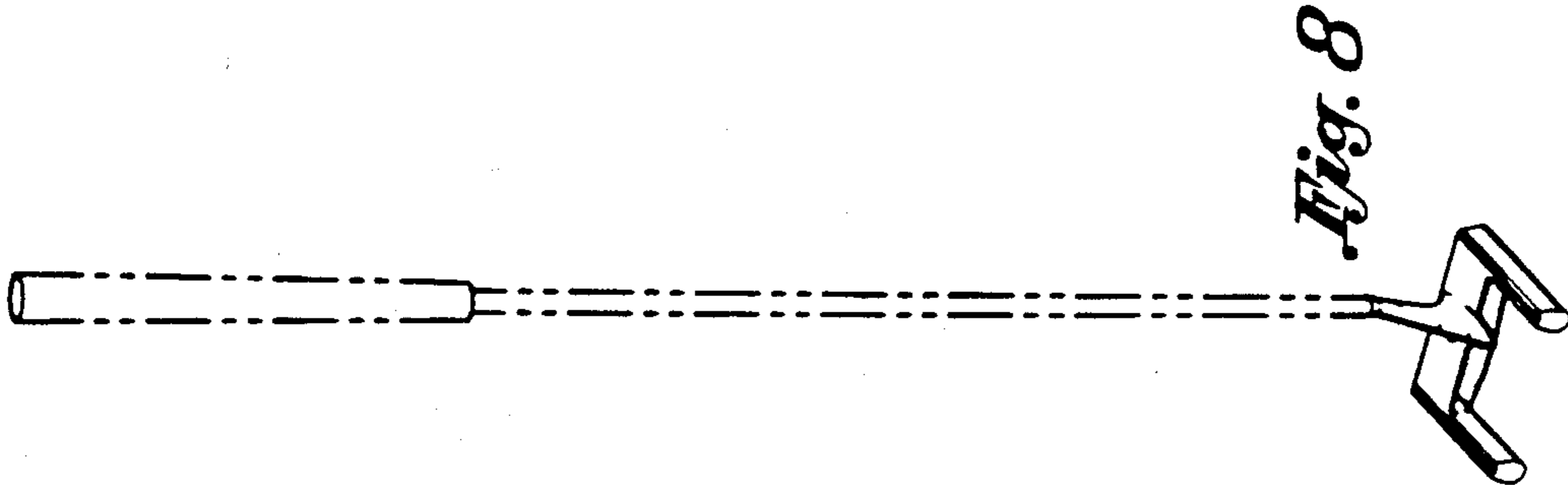


Fig. 10

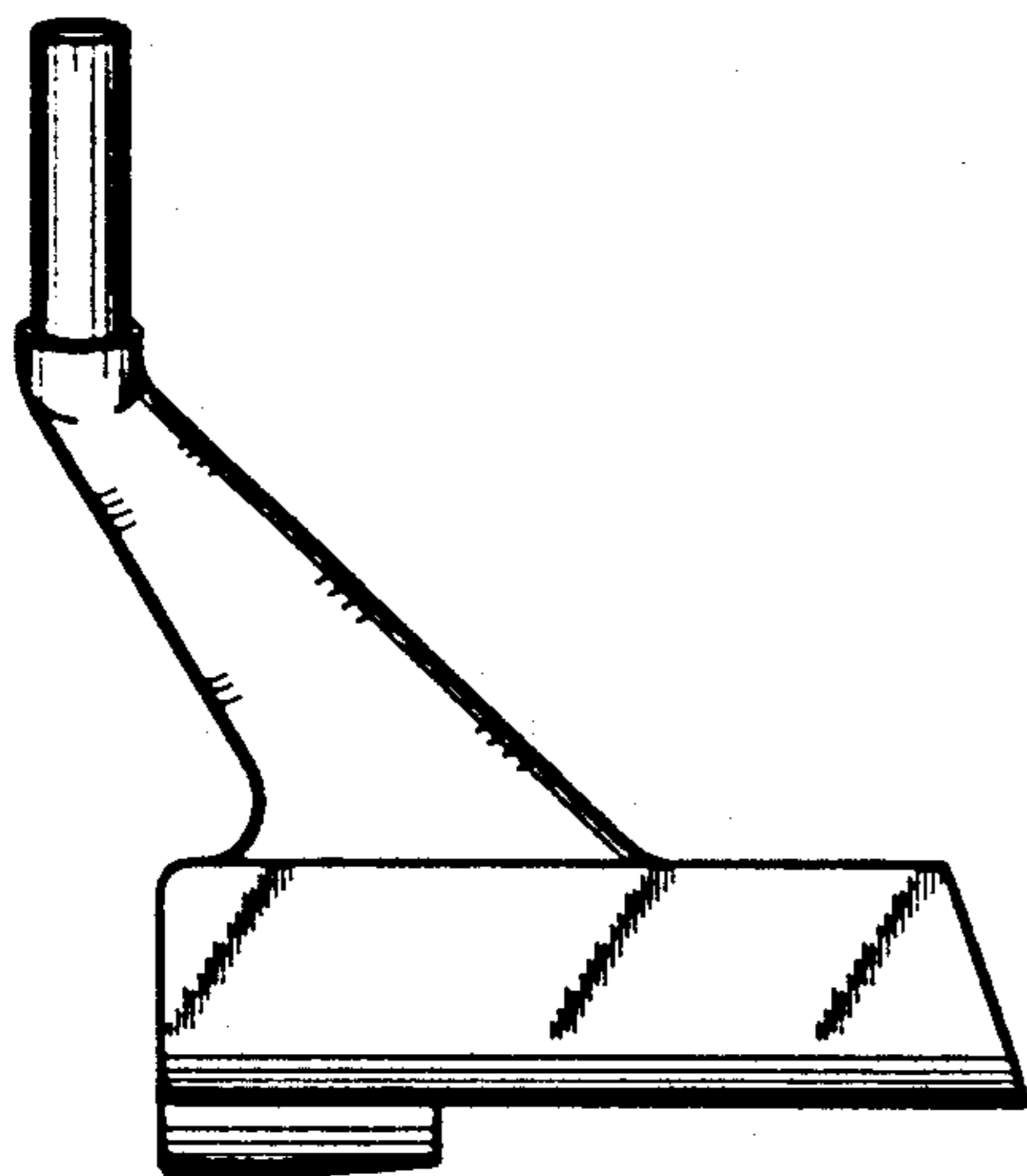
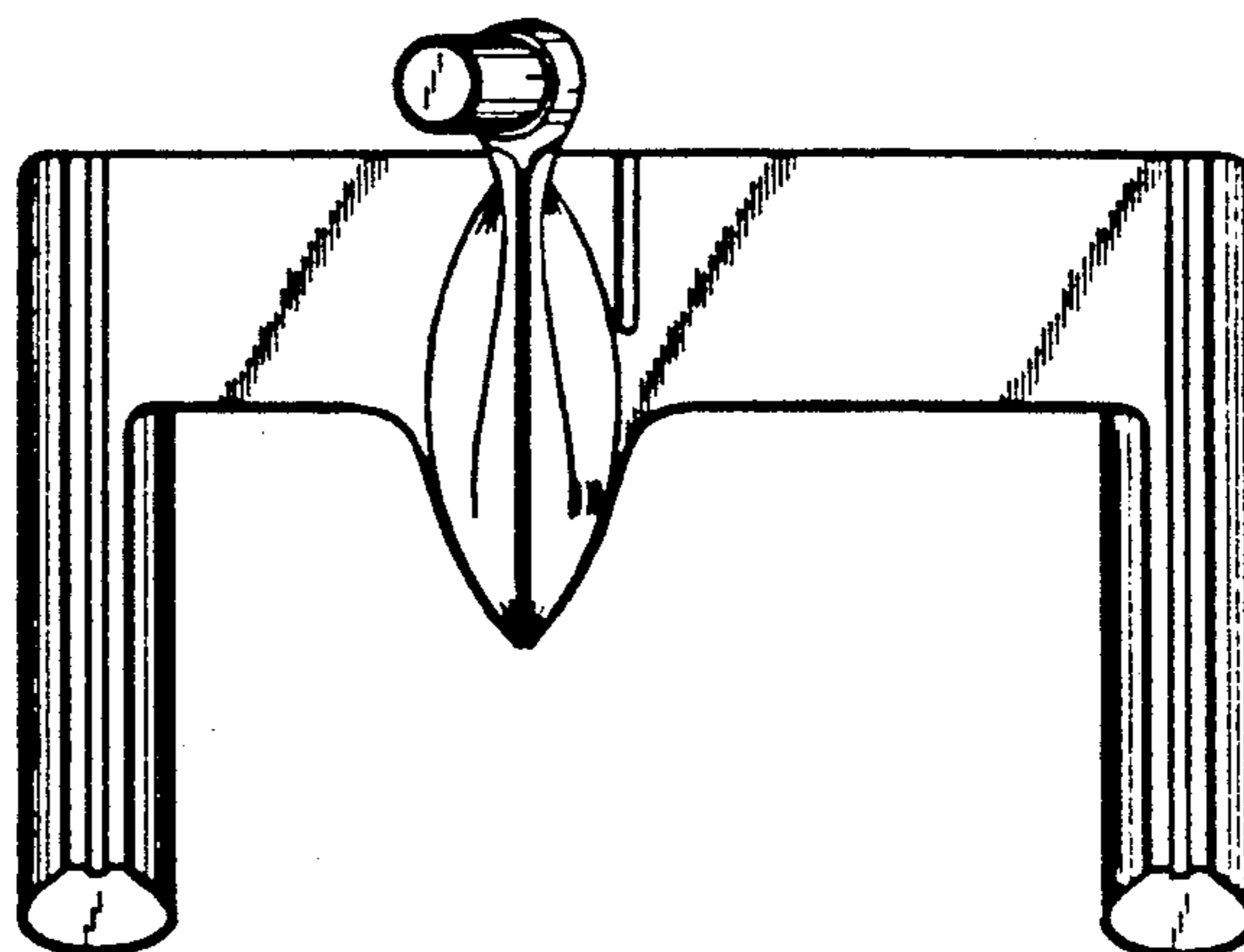


Fig. 11

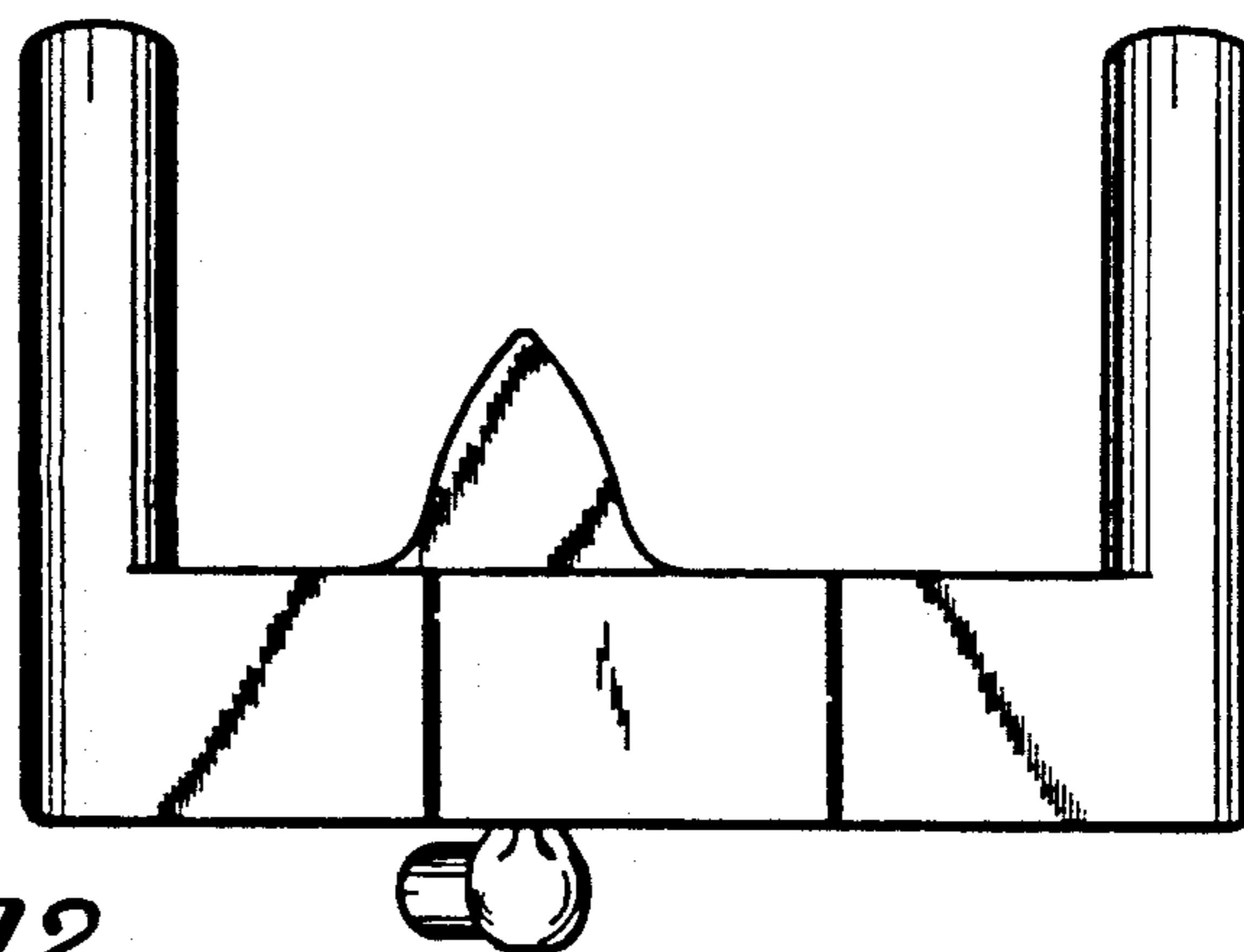


Fig. 12

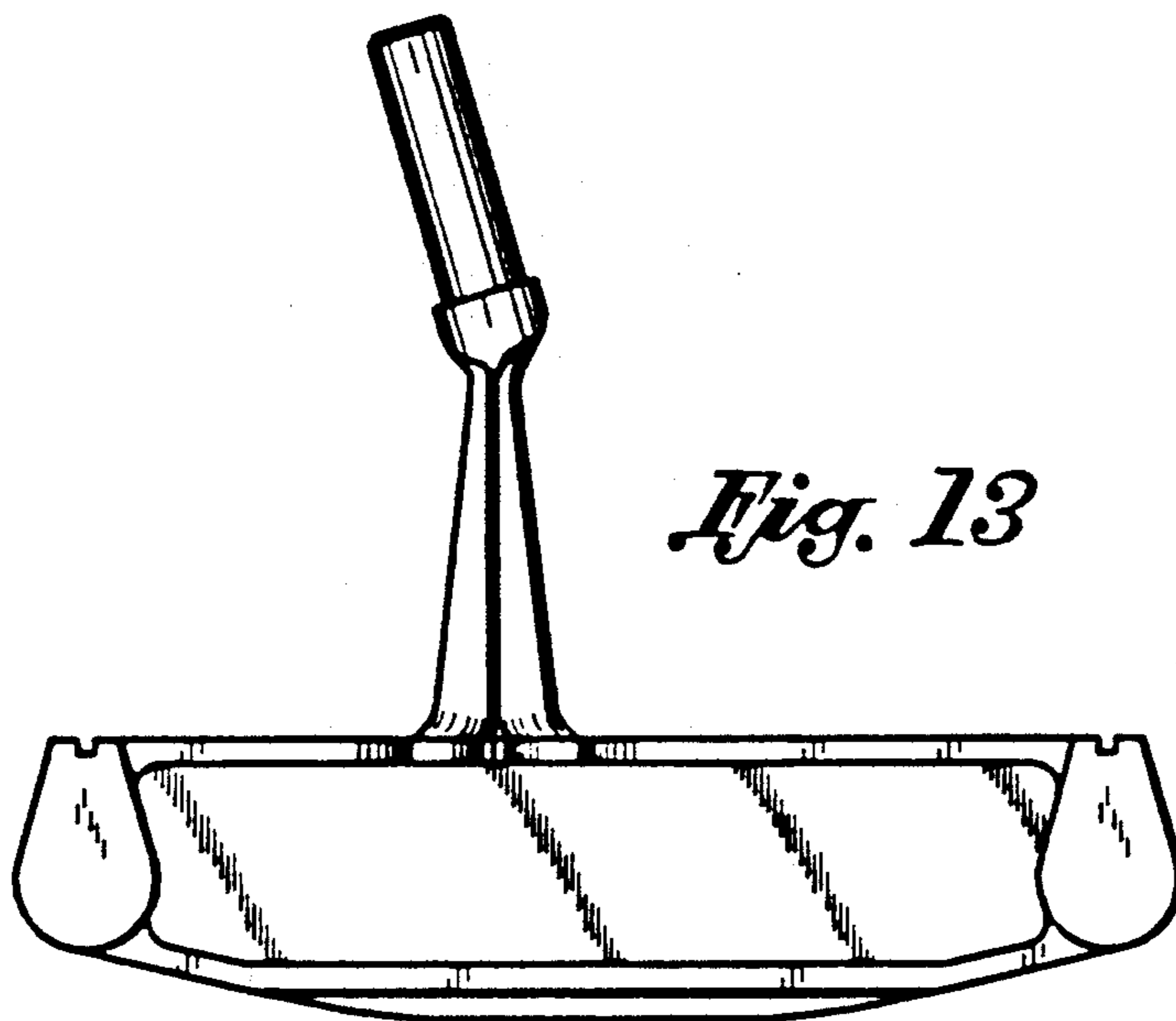


Fig. 13

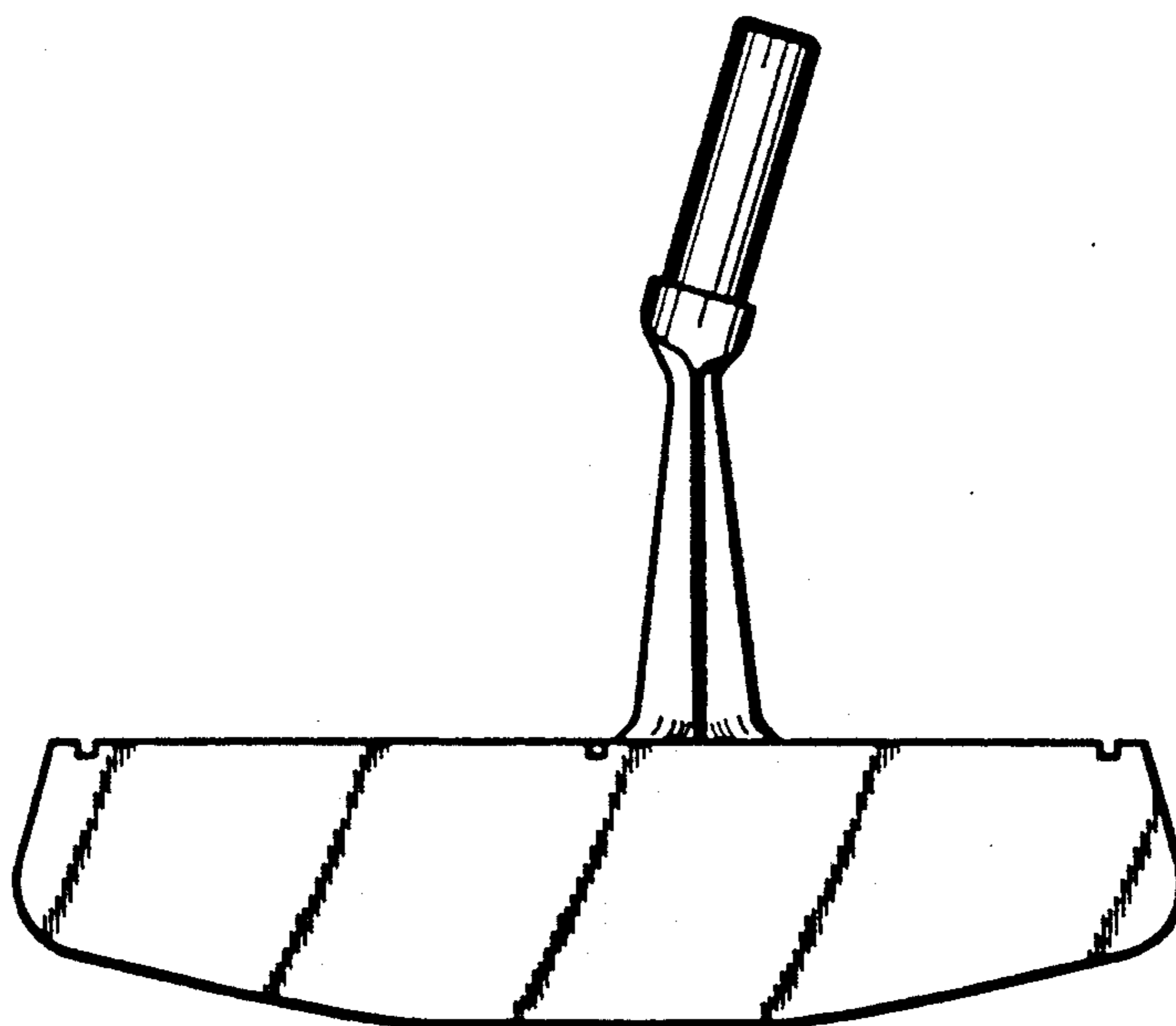


Fig. 14