



US00D323864S

United States Patent [19]

Dunn, Sr. et al.

[11] Patent Number: **Des. 323,864**

[45] Date of Patent: **** Feb. 11, 1992**

[54] **POOLSIDE BASKETBALL GOAL**

[75] Inventors: **Edward G. Dunn, Sr.; Edward C. Dunn, Jr.**, both of Indianapolis, Ind.

[73] Assignee: **Dunn-Rite Products, Inc.**, Elwood, Ind.

[**] Term: **14 Years**

[21] Appl. No.: **412,402**

[22] Filed: **Sep. 26, 1989**

[52] U.S. Cl. **D21/201**

[58] Field of Search **D21/200, 201; 273/1.5 A, 1.5 R**

[56] **References Cited**

U.S. PATENT DOCUMENTS

D. 235,897 7/1975 Breneman D21/201 X

D. 302,993 8/1989 Scott, III D21/201
2,818,254 12/1957 Dunn D21/201 X

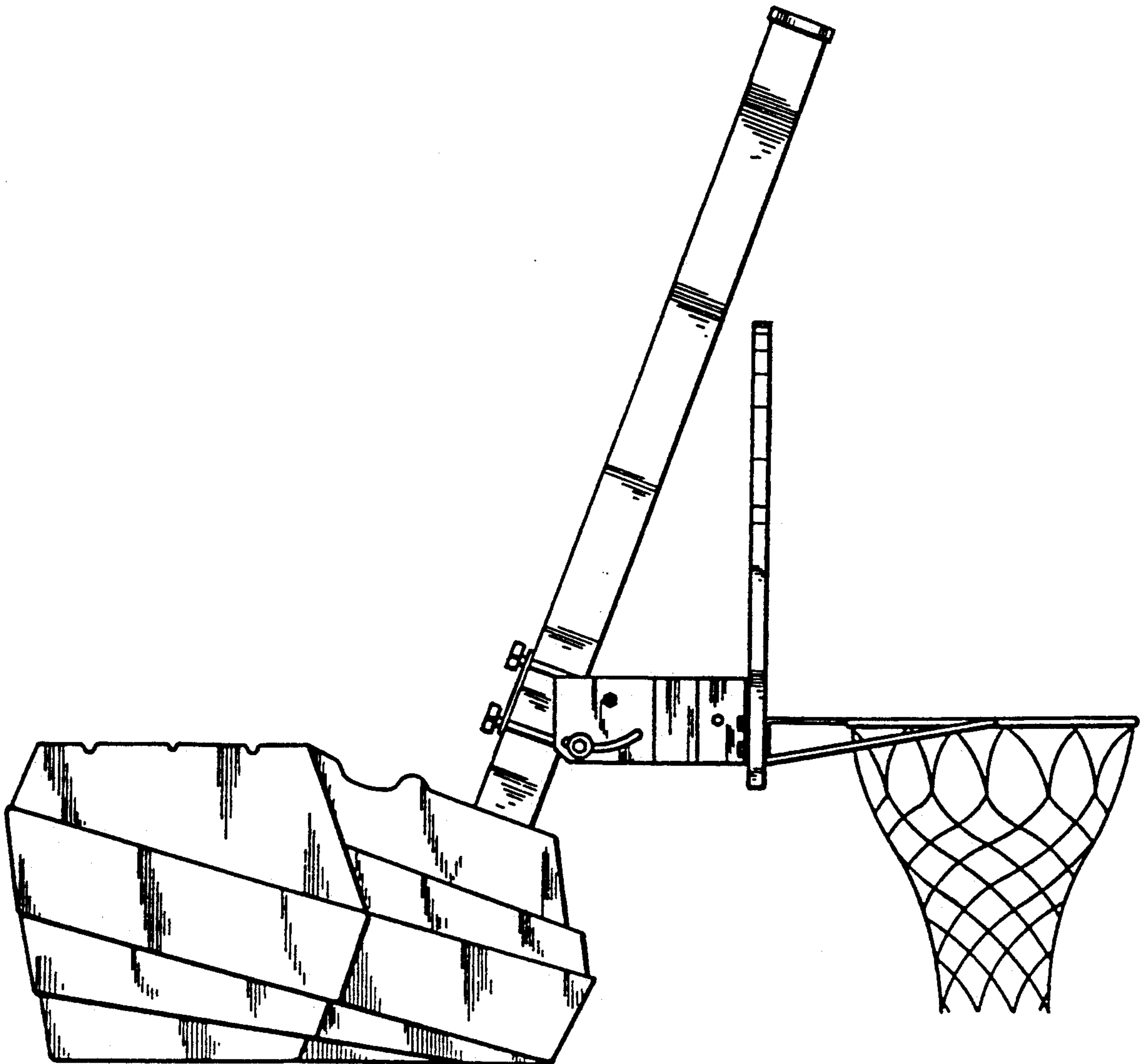
Primary Examiner—Terry A. Pfeffer
Attorney, Agent, or Firm—Woodard, Emhardt,
Naughton Moriarty & McNett

[57] **CLAIM**

The ornamental design for a poolside basketball goal, as shown and described.

DESCRIPTION

FIG. 1 is a left side elevational view of a poolside basketball goal showing our new design; FIG. 2 is a right side elevational view thereof; FIG. 3 is a front elevational view thereof; FIG. 4 is a top plan view thereof; and FIG. 5 is a rear elevational view thereof. The undisclosed bottom view is unornamented.



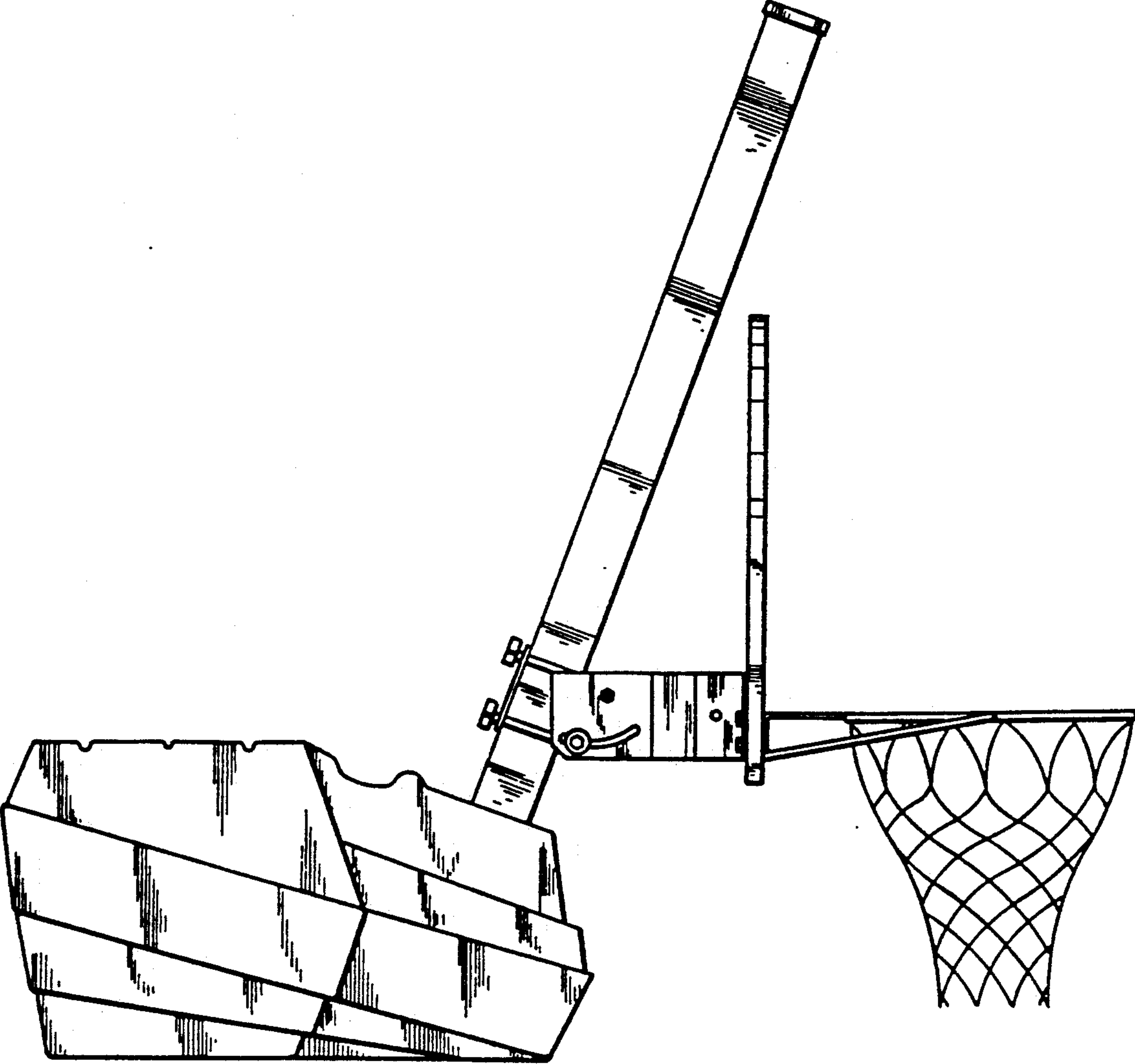


Fig.1

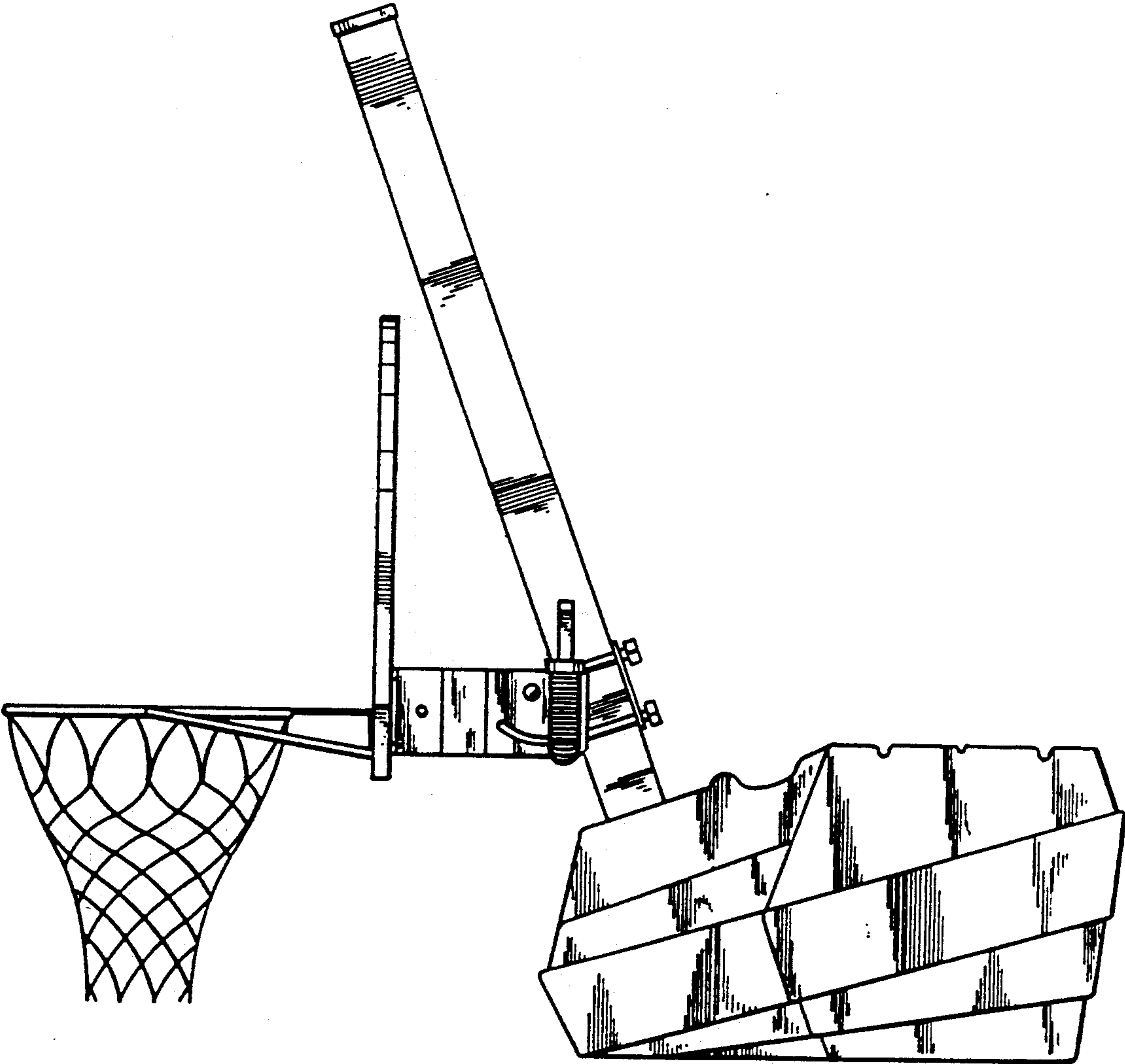


Fig. 2

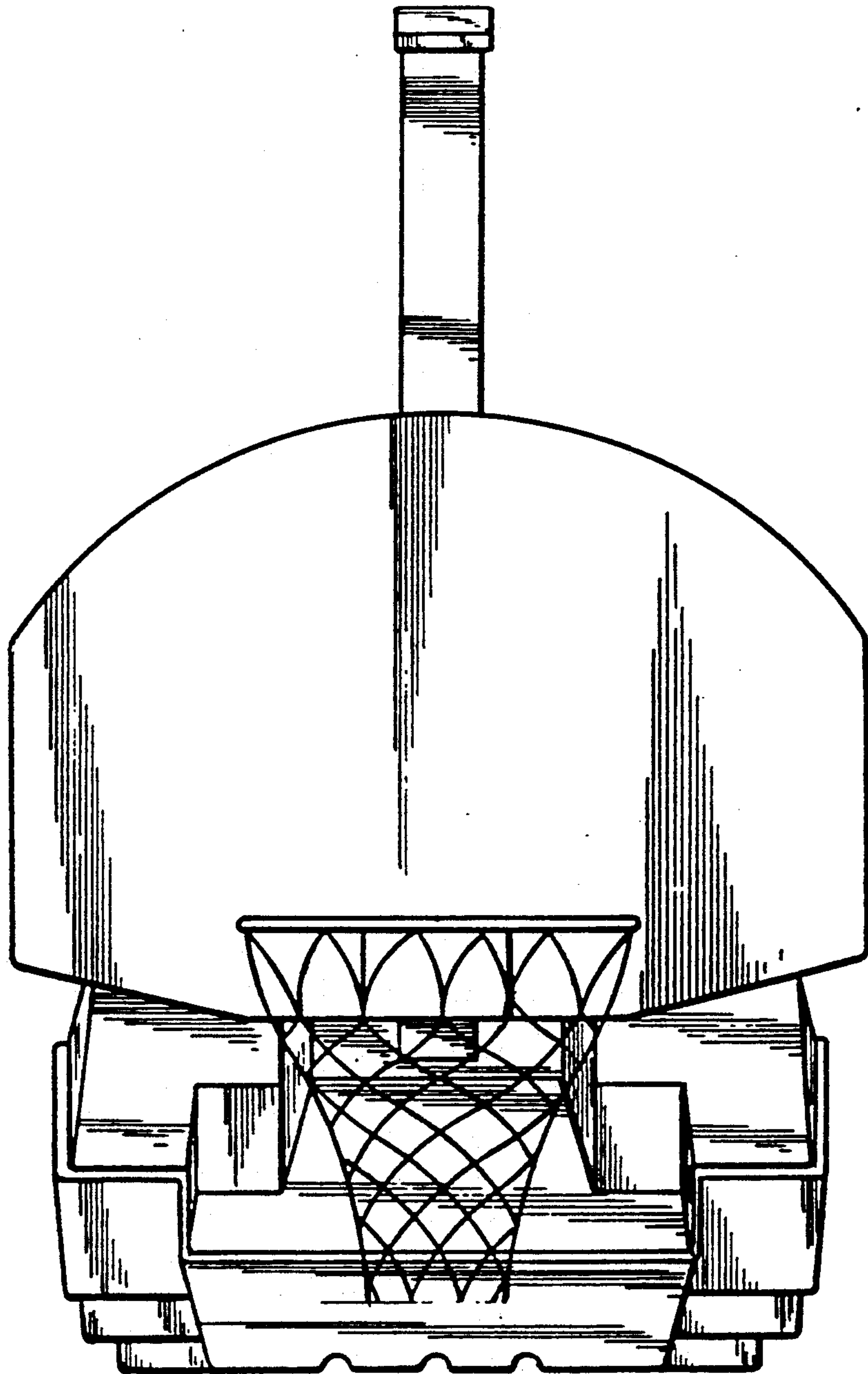


Fig. 3

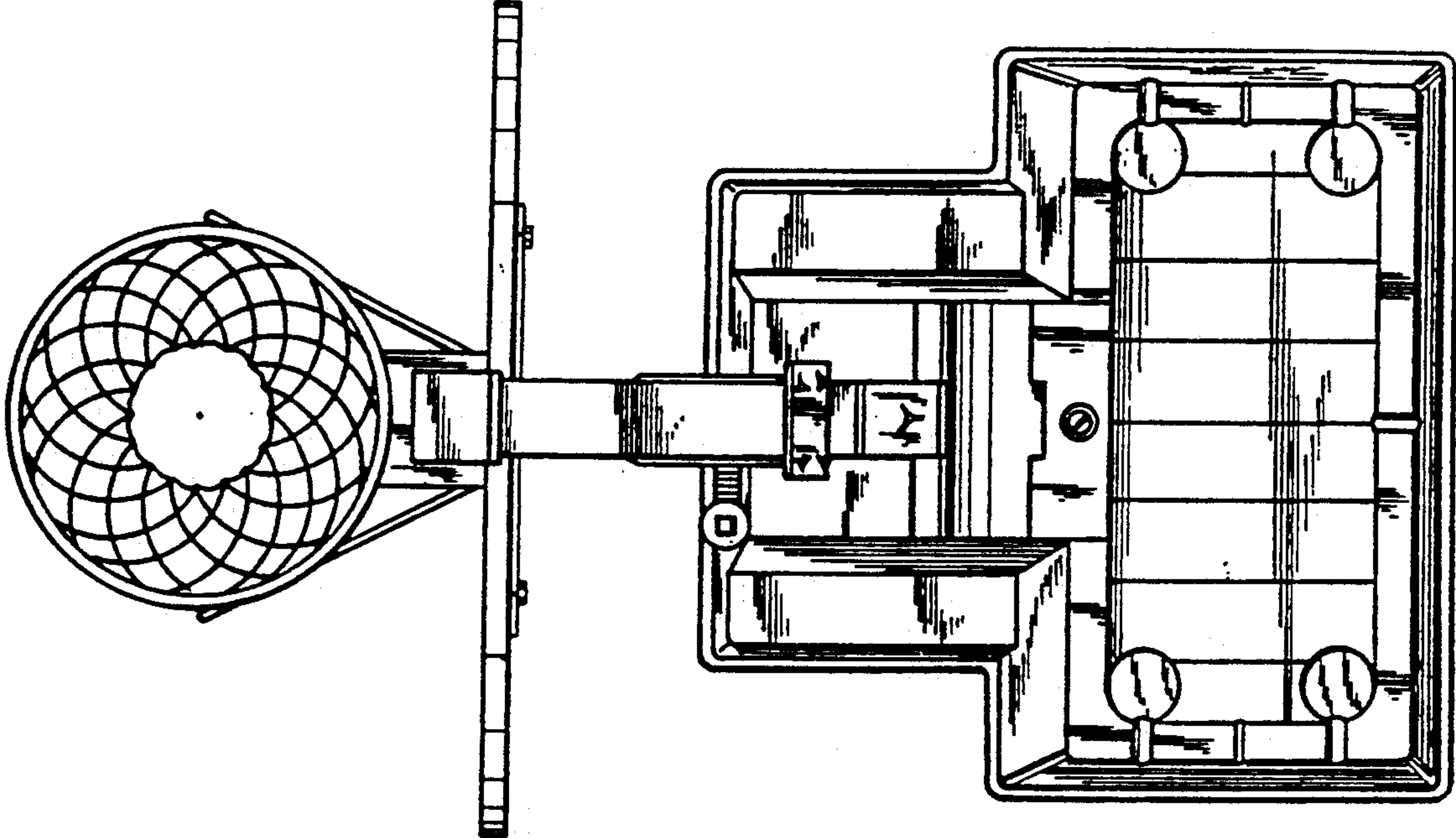


Fig. 4

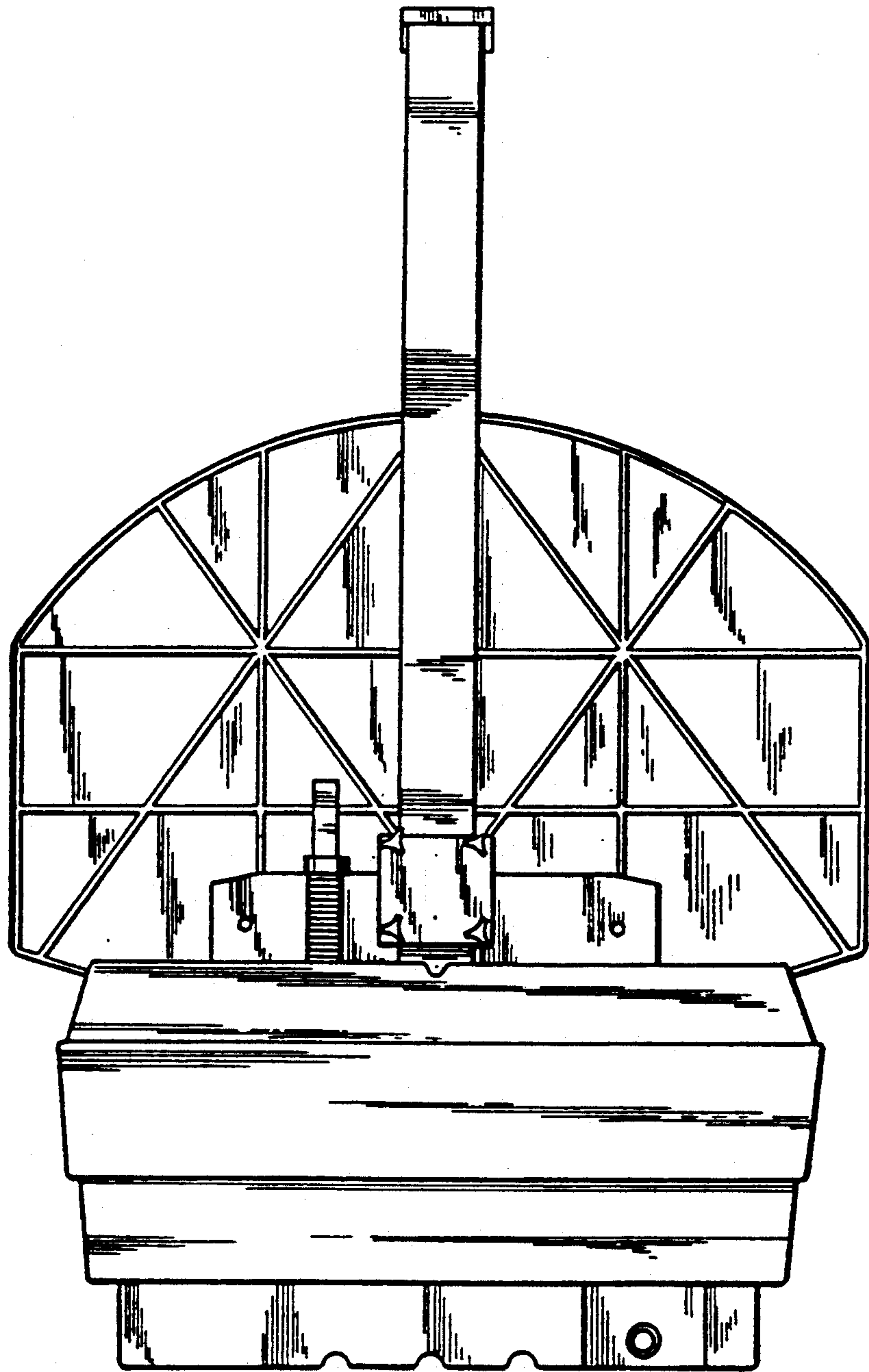


Fig. 5