



US00D323860S

United States Patent [19]

[11] Patent Number: Des. 323,860

Cutler et al.

[45] Date of Patent: ** Feb. 11, 1992

[54] EDUCATIONAL GAME BOARD

2,788,697 4/1957 Anthony D21/64

[76] Inventors: **Burton Cutler**, 19560 S. Rancho Way, Dominguez Hills, Calif. 90220; **Stanley Culter**, 15354 Oxnard St., Van Nuys, Calif. 91411

Primary Examiner—Charles A. Rademaker
Attorney, Agent, or Firm—Roger A. Marrs

[**] Term: **14 Years**

[57] CLAIM

The ornamental design for an educational game board, as shown and described.

[21] Appl. No.: **408,322**

DESCRIPTION

[22] Filed: **Sep. 18, 1989**

[52] U.S. Cl. **D21/59**

[58] Field of Search D21/59, 63, 64, 65; D19/59; 434/128, 130, 145, 147, 153

FIG. 1 is a front elevational view of an educational game board showing our new design; FIG. 2 is a side elevational view thereof, the side opposite being substantially a mirror image; FIG. 3 is a top plan view thereof taken in the direction of arrows 3—3 in FIG. 2; and FIG. 4 is a rear elevational view thereof. The unshown bottom of the design is substantially plain and unornamented.

[56] References Cited

U.S. PATENT DOCUMENTS

D. 299,473 1/1989 Murphy D21/59

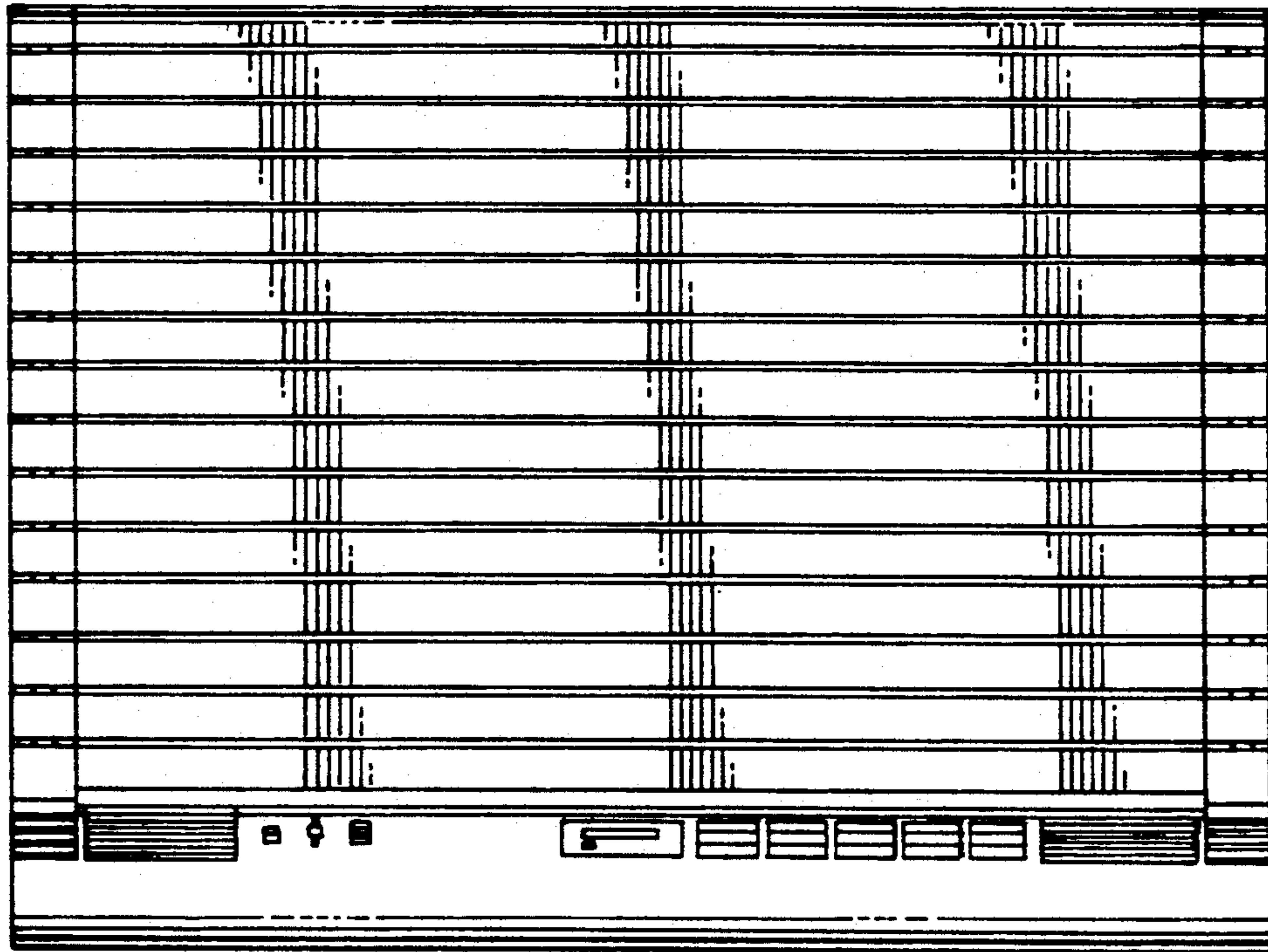


FIG. 1.

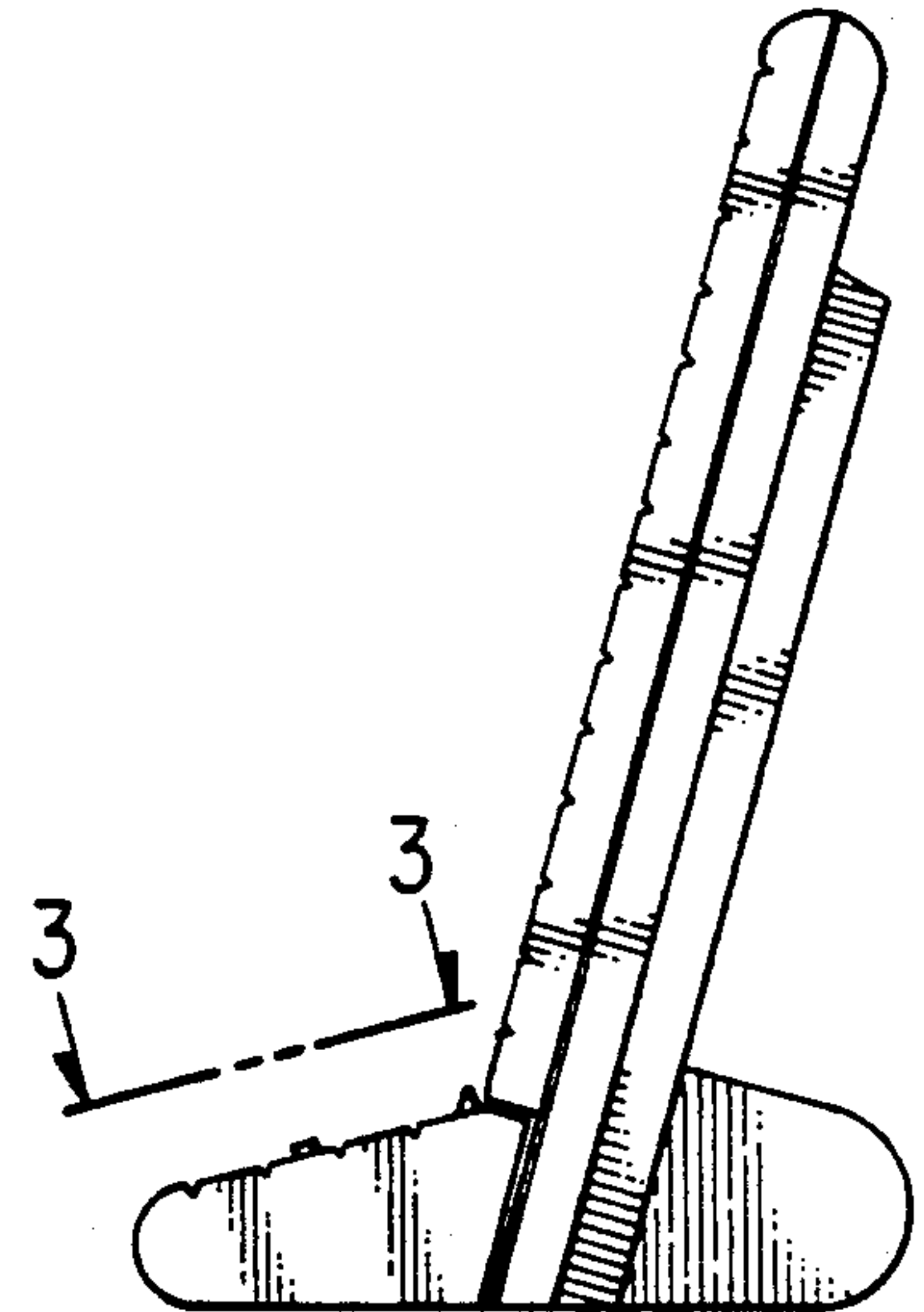
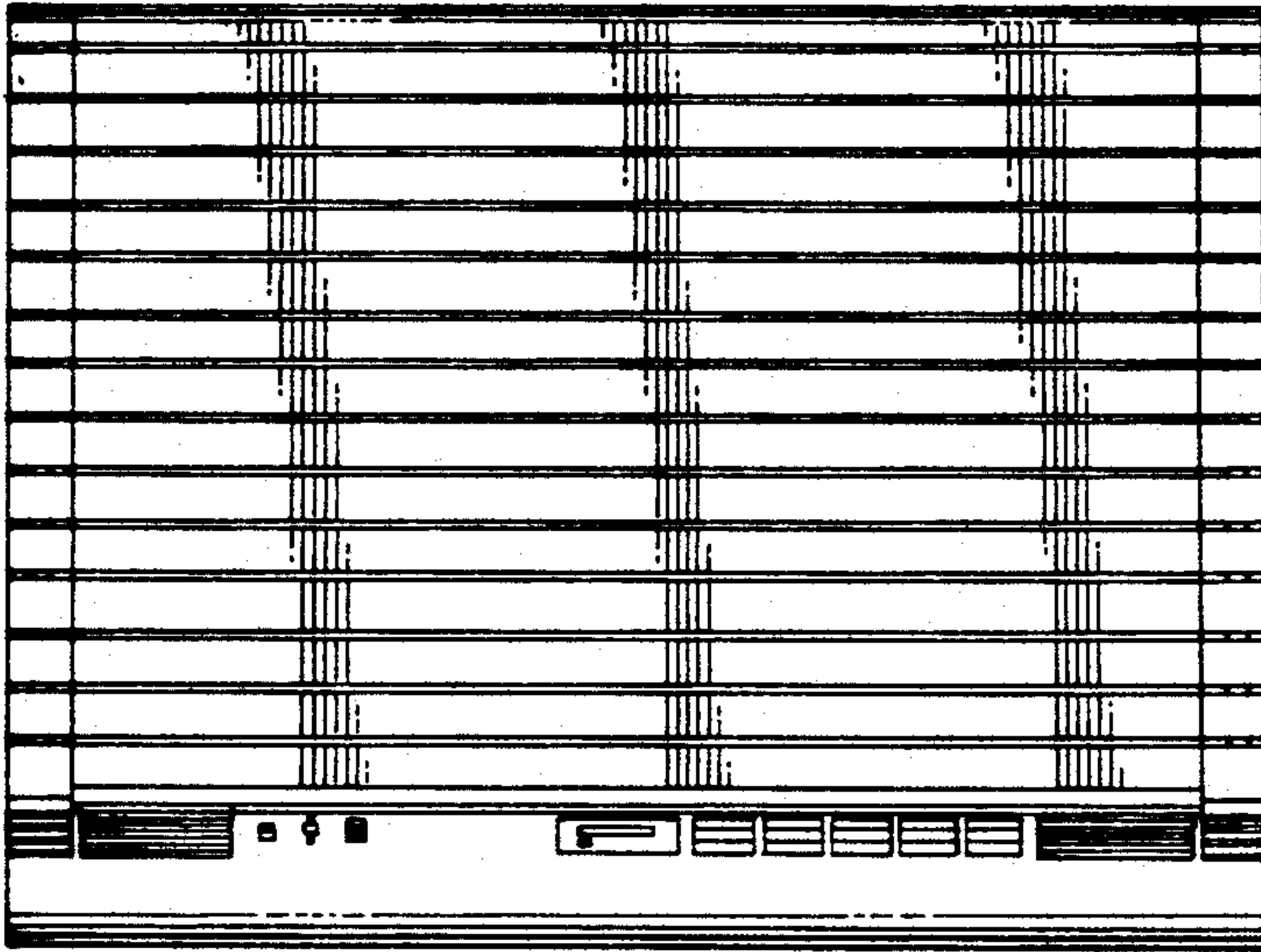


FIG. 2.

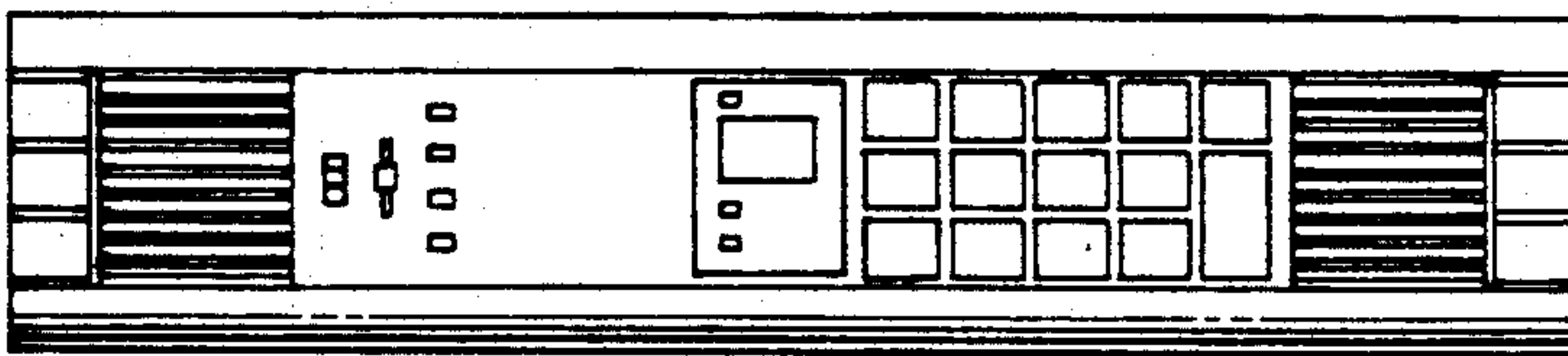


FIG. 3.

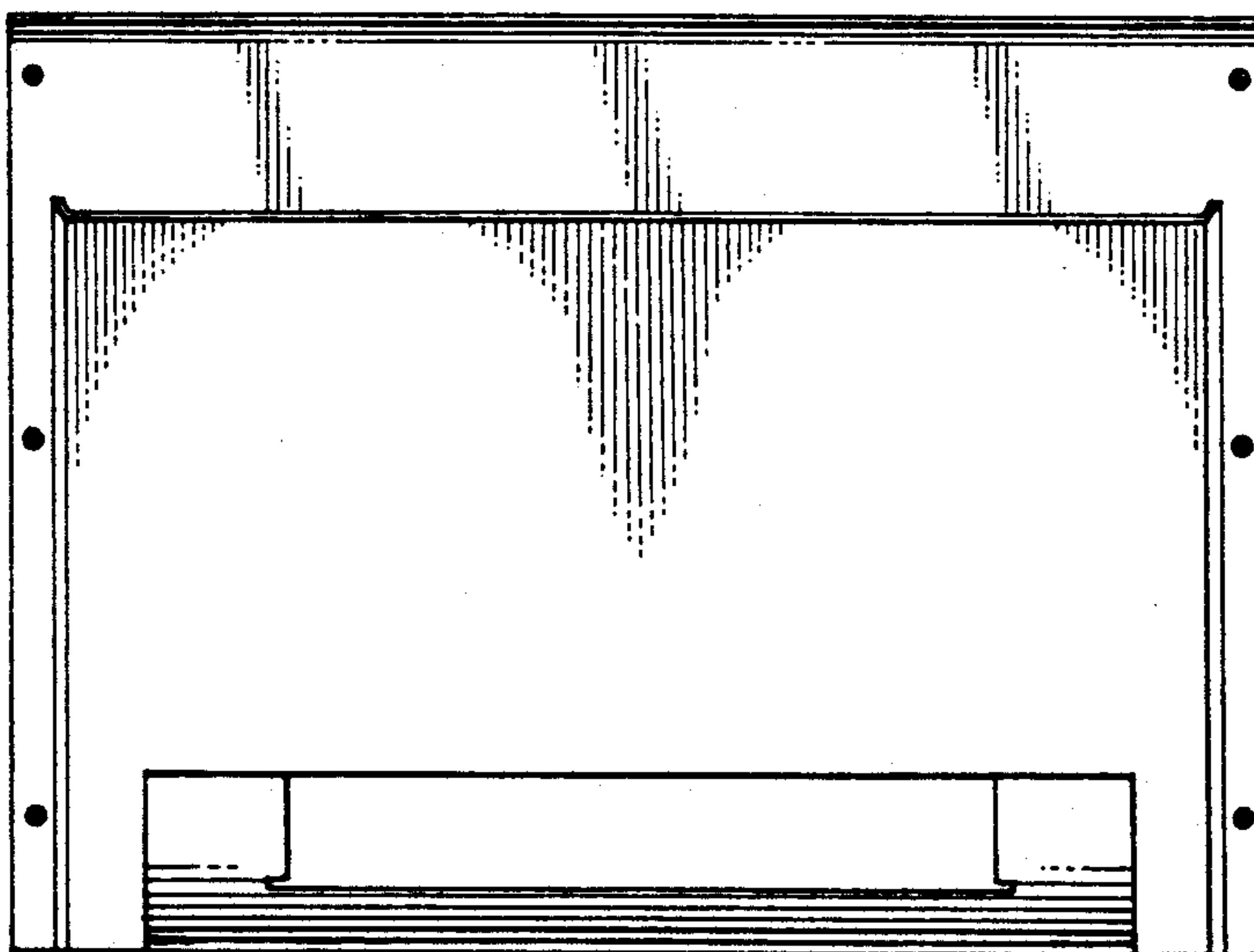


FIG. 4.