



US00D323853S

United States Patent [19]

[11] Patent Number: **Des. 323,853**

Evenson

[45] Date of Patent: **** Feb. 11, 1992**

[54] **COMBINED PENCIL CUP AND HOLDER FOR ASSORTED DESK ARTICLES**

[75] Inventor: **Mel Evenson, San Pedro, Calif.**

[73] Assignee: **Eldon Industries, Inc., Inglewood, Calif.**

[**] Term: **14 Years**

[21] Appl. No.: **425,984**

[22] Filed: **Oct. 24, 1989**

[52] U.S. Cl. **D19/77; D19/75; D19/85; D19/95**

[58] Field of Search **D6/466; D19/65, 75, D19/77, 78, 86, 80-85, 86, 92, 95, 99, 100; 206/214, 371; 211/69.1-69.9**

[56] **References Cited**

U.S. PATENT DOCUMENTS

D. 39,591	9/1908	Low	D19/85
D. 106,911	11/1937	Deppermann	D19/79
D. 118,027	12/1939	Trojan	D6/466
D. 187,897	5/1960	Kipp	D19/85 X
D. 196,890	11/1963	Garner	D19/92 X
D. 202,394	9/1965	Berliner	D19/92 X

D. 231,268	4/1974	Longarzo	D19/92 X
D. 250,823	1/1979	Theobald	D19/85 X
D. 254,859	4/1980	Grumstad	D19/75
D. 264,224	5/1982	Henkels	D19/75
D. 286,550	11/1986	Yuen	D19/75
D. 308,076	5/1990	Gecchelin	D19/85
D. 317,327	6/1991	Kheng	D19/85 X

Primary Examiner—Bruce W. Dunkins
Assistant Examiner—Martha Thompson

[57] **CLAIM**

The ornamental design for a combined pencil cup and holder for assorted desk articles, as shown and described.

DESCRIPTION

FIG. 1 is a right side elevational view of a combined pencil cup and holder for assorted desk articles showing my new design, the left side elevational view being a mirror image thereof;
FIG. 2 is a front elevational view thereof;
FIG. 3 is a rear elevational view thereof;
FIG. 4 is a top plan view thereof;
FIG. 5 is a bottom plan view thereof; and
FIG. 6 is a top, right front perspective view thereof.

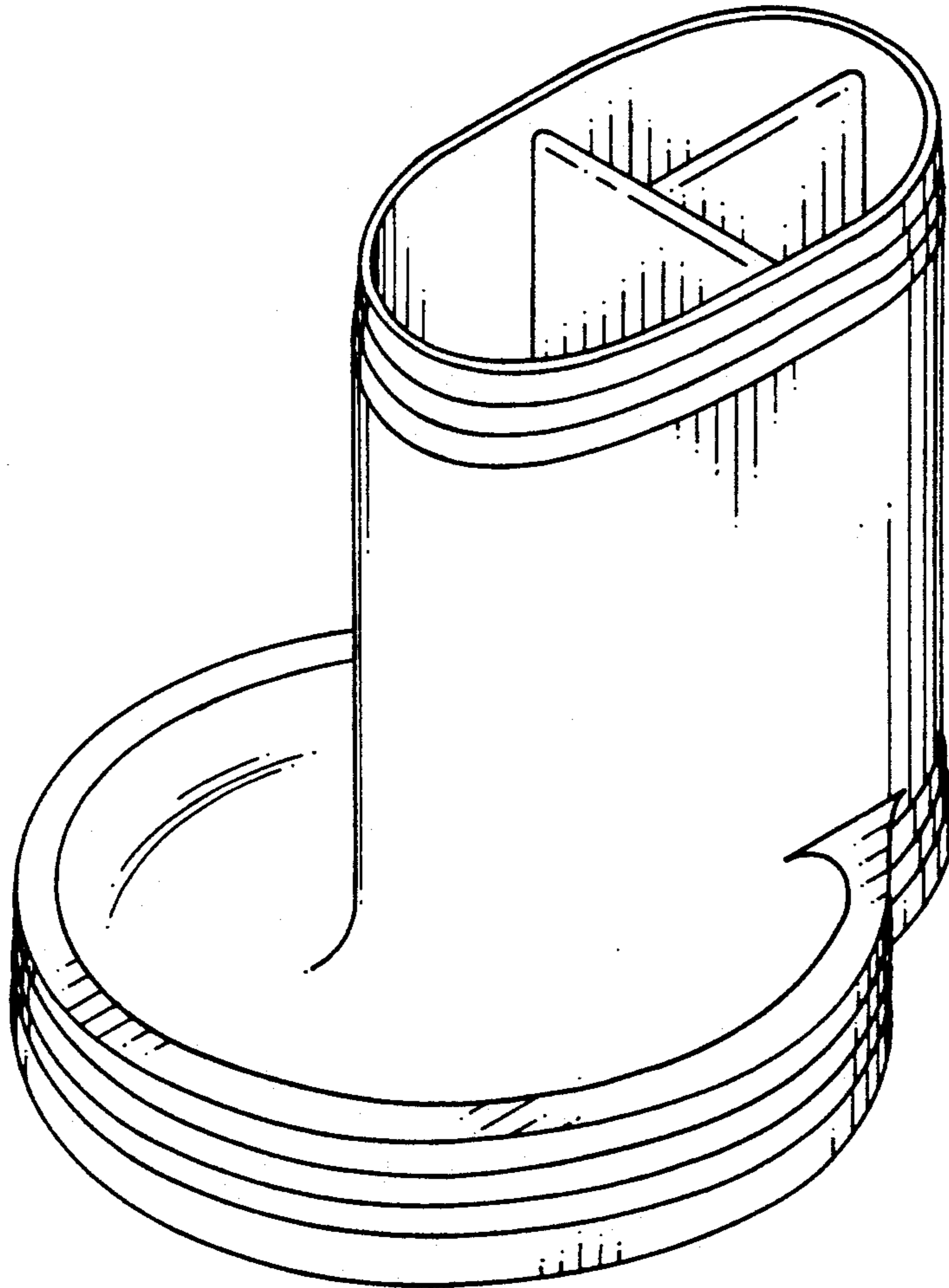
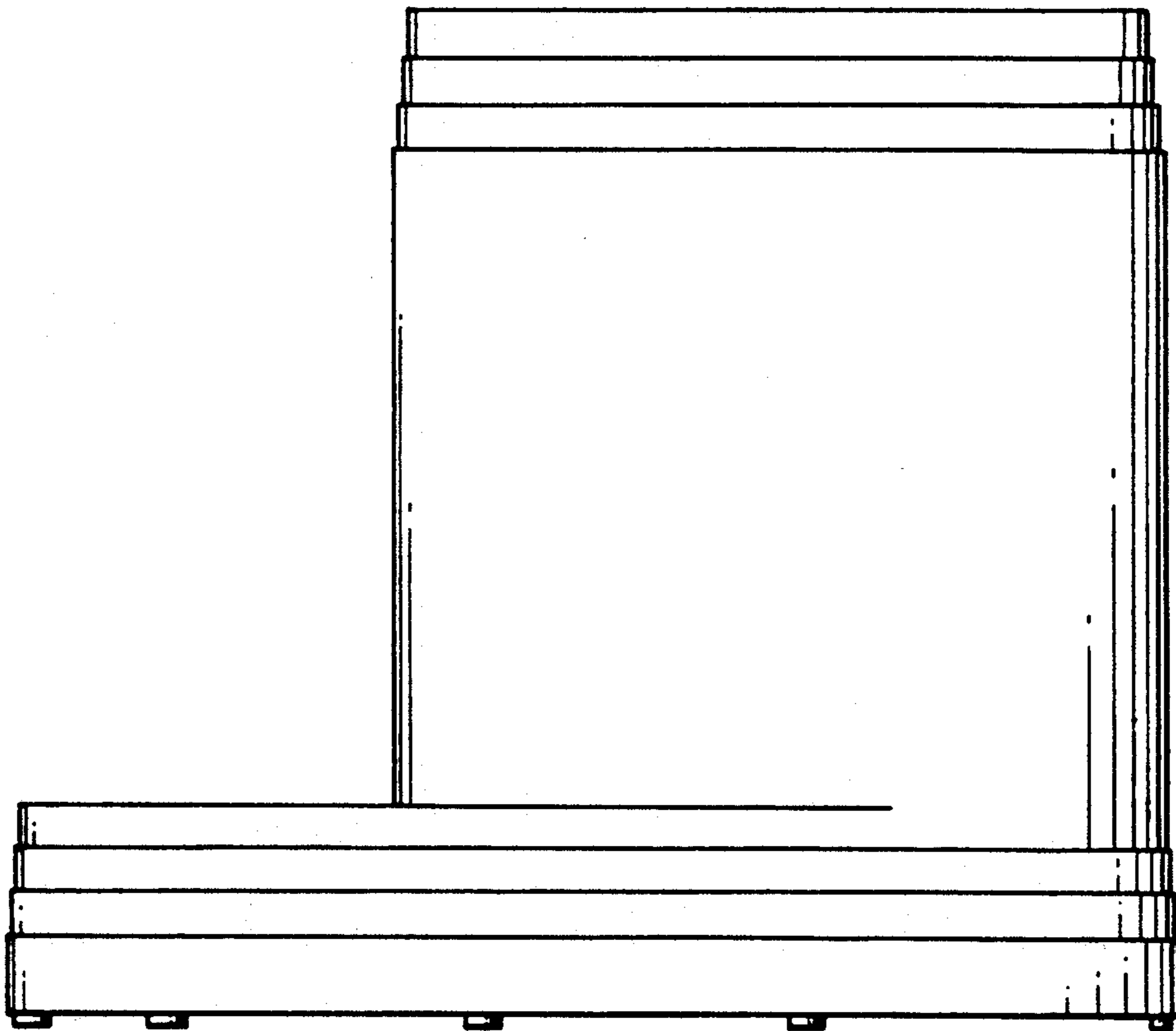


FIG 1



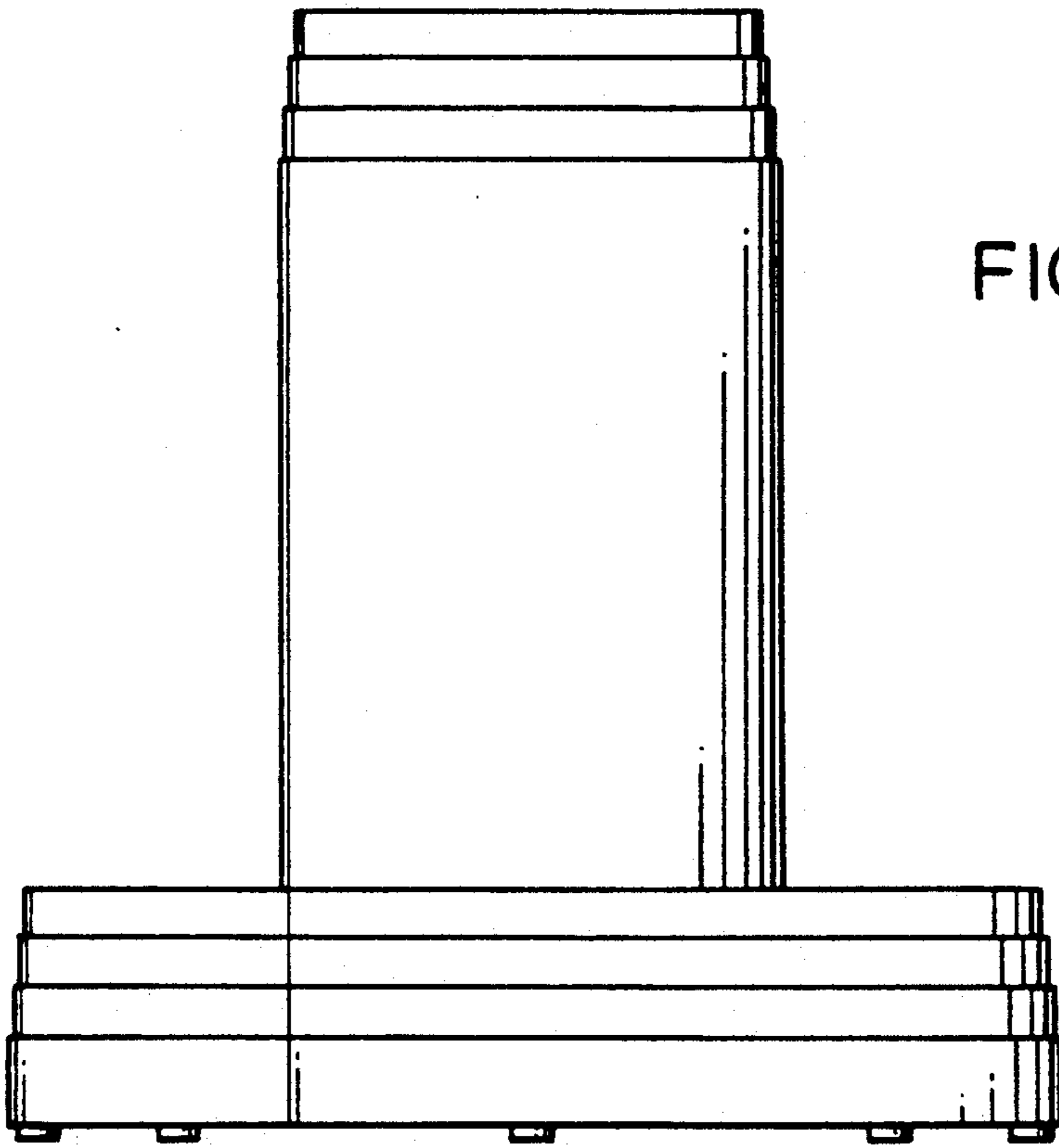


FIG 2

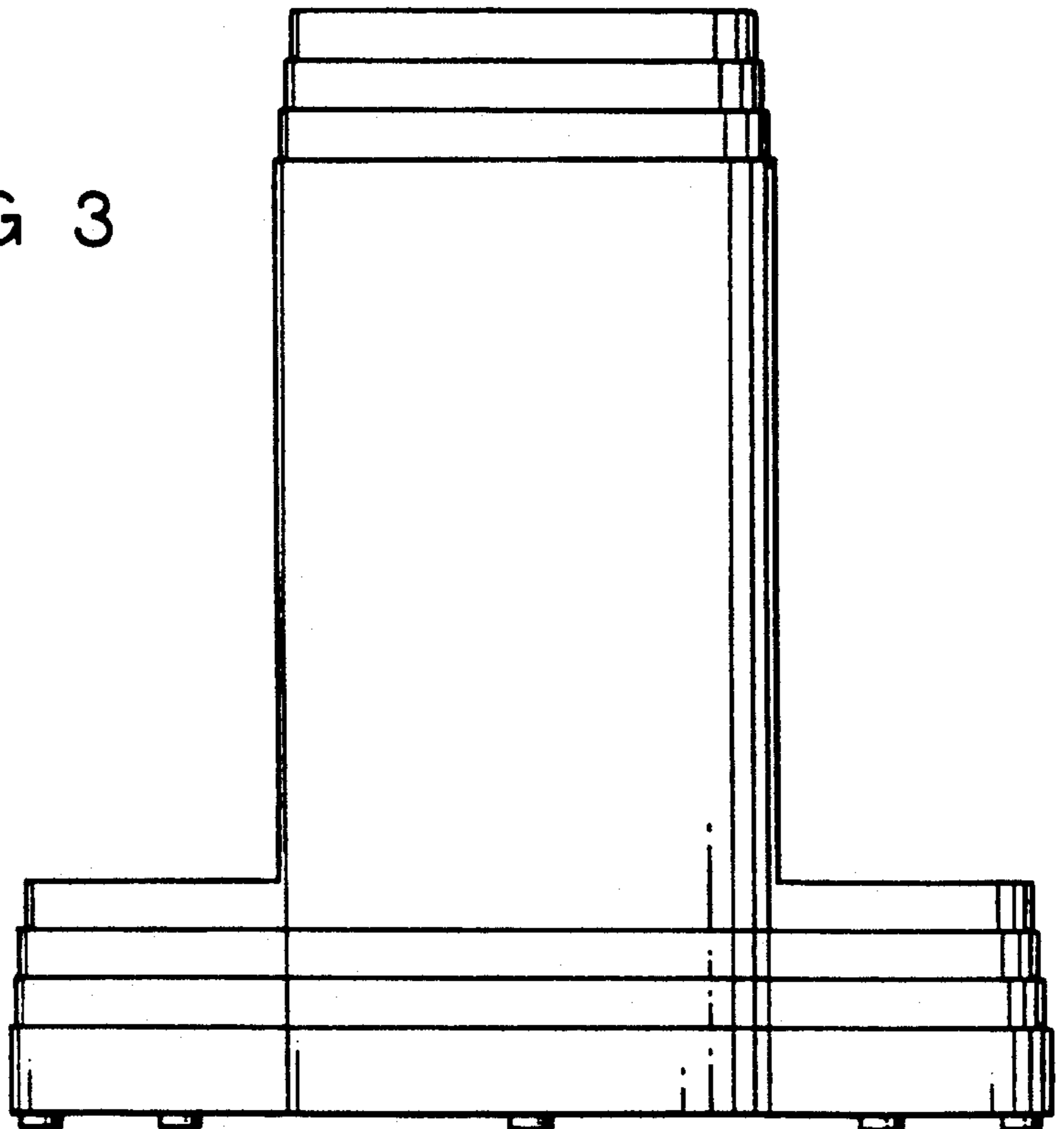


FIG 3

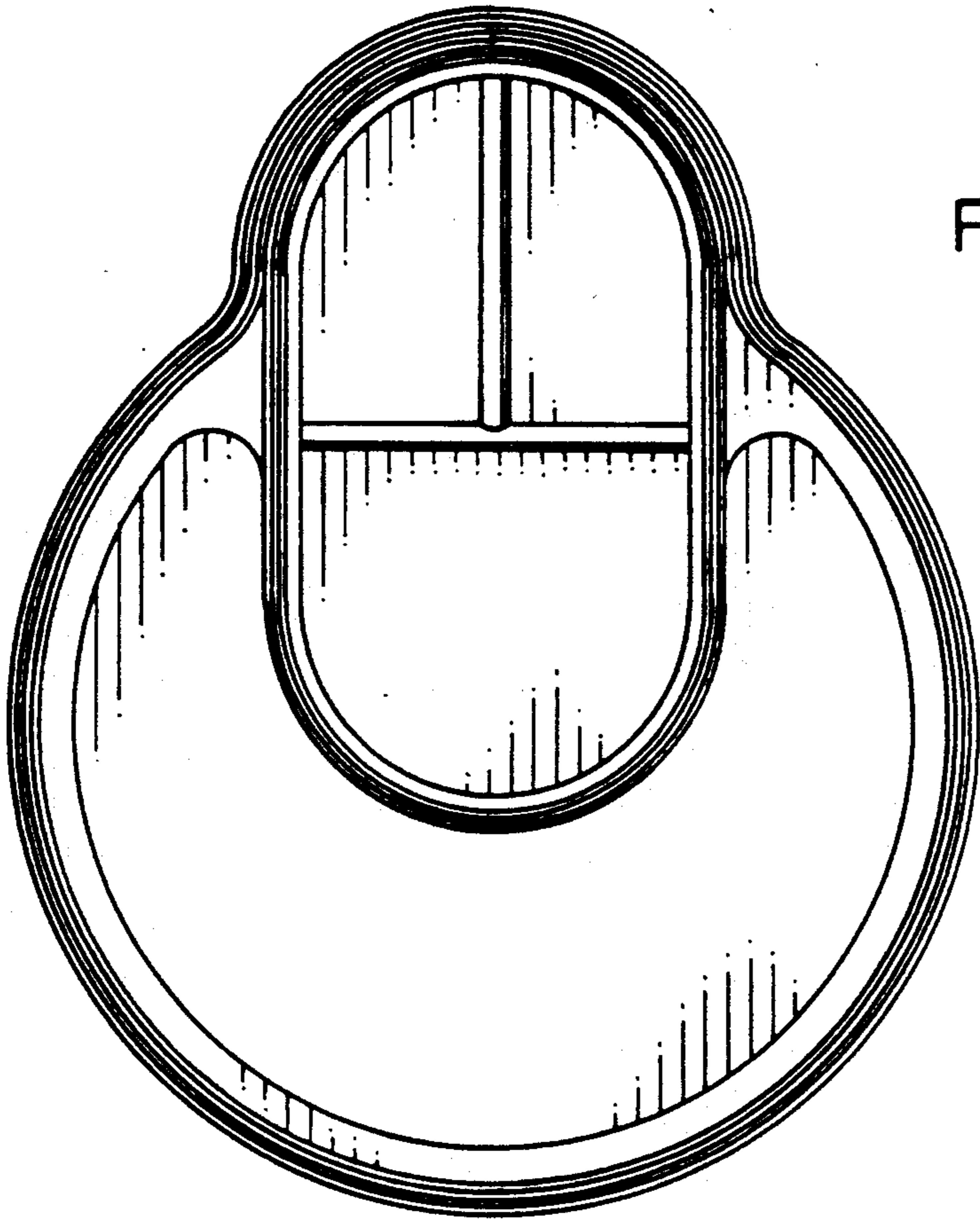


FIG 4

FIG 5

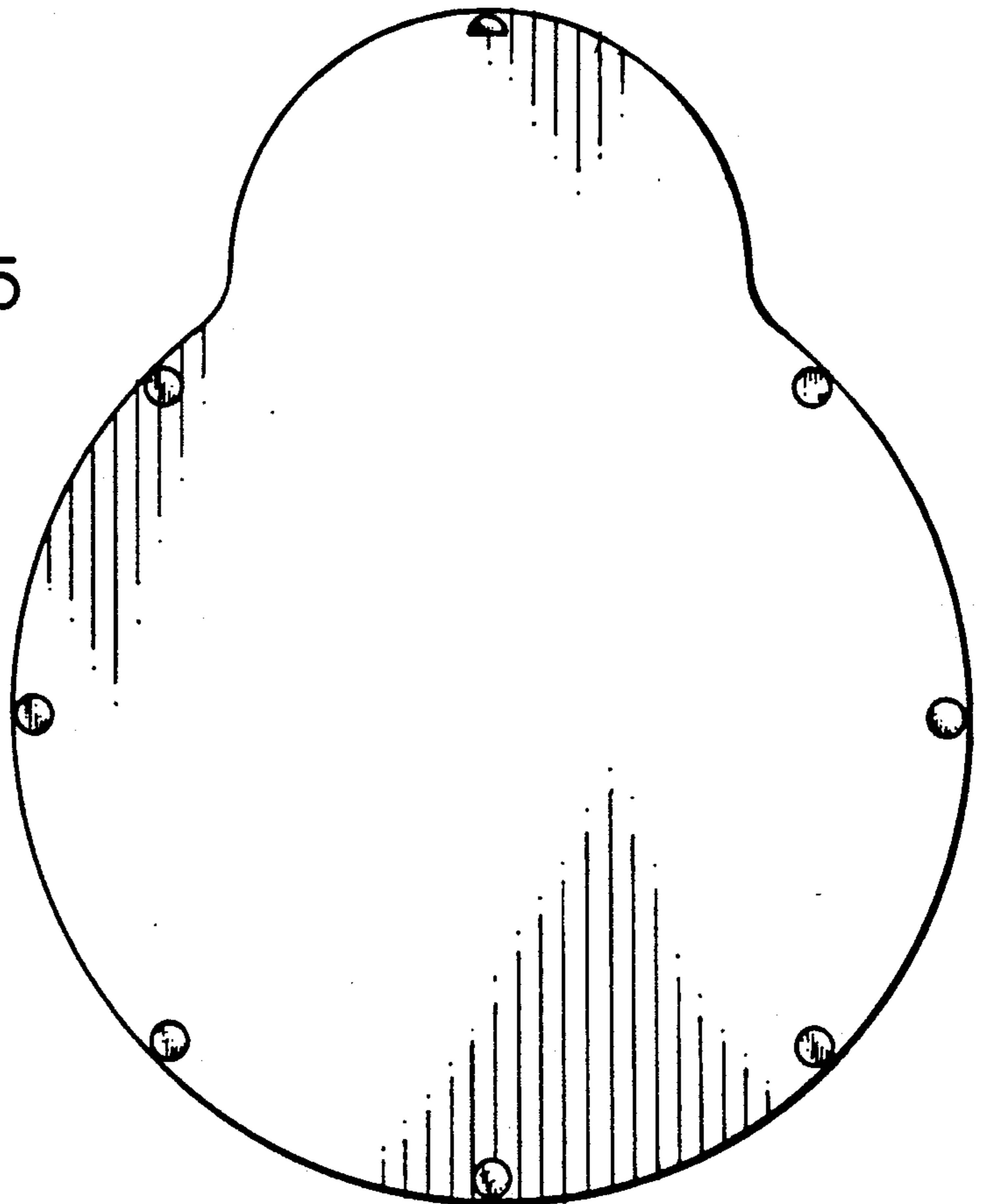


FIG 6

