



US00D323844S

United States Patent [19]

[11] Patent Number: **Des. 323,844**

Kitamura et al.

[45] Date of Patent: **** Feb. 11, 1992**

[54] OFFSET PRINTING MACHINE

[75] Inventors: **Yusaku Kitamura; Tetsuyuki Doi,**
both of Hiroshima, Japan

[73] Assignee: **Ryobi Ltd.,** Hiroshima, Japan

[**] Term: **14 Years**

[21] Appl. No.: **293,382**

[22] Filed: **Jan. 4, 1989**

[30] Foreign Application Priority Data

Jul. 4, 1988 [JP] Japan 63-26835

[52] U.S. Cl. **D18/53**

[58] Field of Search **D18/13; 101/136, 137,**
101/140, 141, 142, 145, 177, 183, 184, 185

[56] References Cited

U.S. PATENT DOCUMENTS

D. 162,347	3/1951	Schreckengost	D18/13
D. 192,394	3/1962	Behnk	D18/13
D. 252,933	9/1979	Schott	D18/13
D. 263,242	3/1982	Hiraishi et al.	D18/13
D. 265,914	8/1982	Hiraishi et al.	D18/13
D. 273,016	3/1984	Hiraishi et al.	D18/13
D. 290,966	7/1987	Saito et al.	D18/13
3,521,560	7/1970	Schmidlin et al.	101/145
4,777,876	10/1988	Ishii	101/177

OTHER PUBLICATIONS

Lithoweek; Dec. 16, 1987; p. 22; Oliver advertisement, bottom page.

Lithoweek Supplement; Dec. 16, 1987; p. 6; Eldon/Hashimoto advertisement.

Lithoweek; Dec. 2, 1987; p. 22; Soag Machinery limited advertisement; top right hand corner.

June 1987 catalog of Shinohara Corporation on an off-set printing machine under the trade designation Fuji-Offset-65IIP and Fuji-Offset-65II.

Primary Examiner—A. Hugo Word

Assistant Examiner—Cathy Anne MacCormac

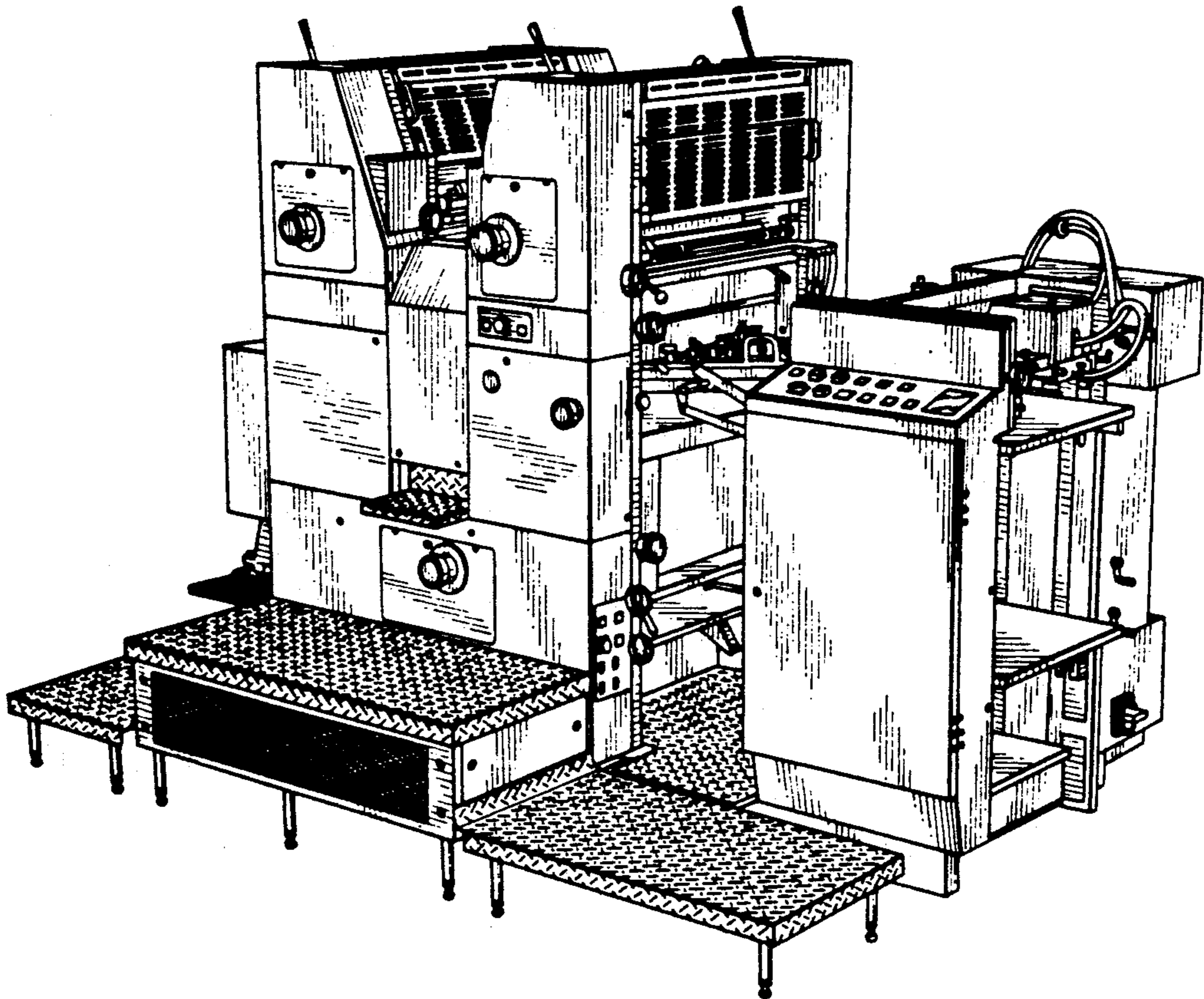
Attorney, Agent, or Firm—Sughrue, Mion, Zinn, Macpeak & Seas

[57] CLAIM

The ornamental design for an offset printing machine, as shown.

DESCRIPTION

FIG. 1 is a front, top, and right side perspective view of an offset printing machine showing our new design; FIG. 2 is a front elevational view thereof; FIG. 3 is a rear elevational view thereof; FIG. 4 is a left side elevational view thereof; FIG. 5 is a right side elevational view thereof; and FIG. 6 is a top plan view thereof.



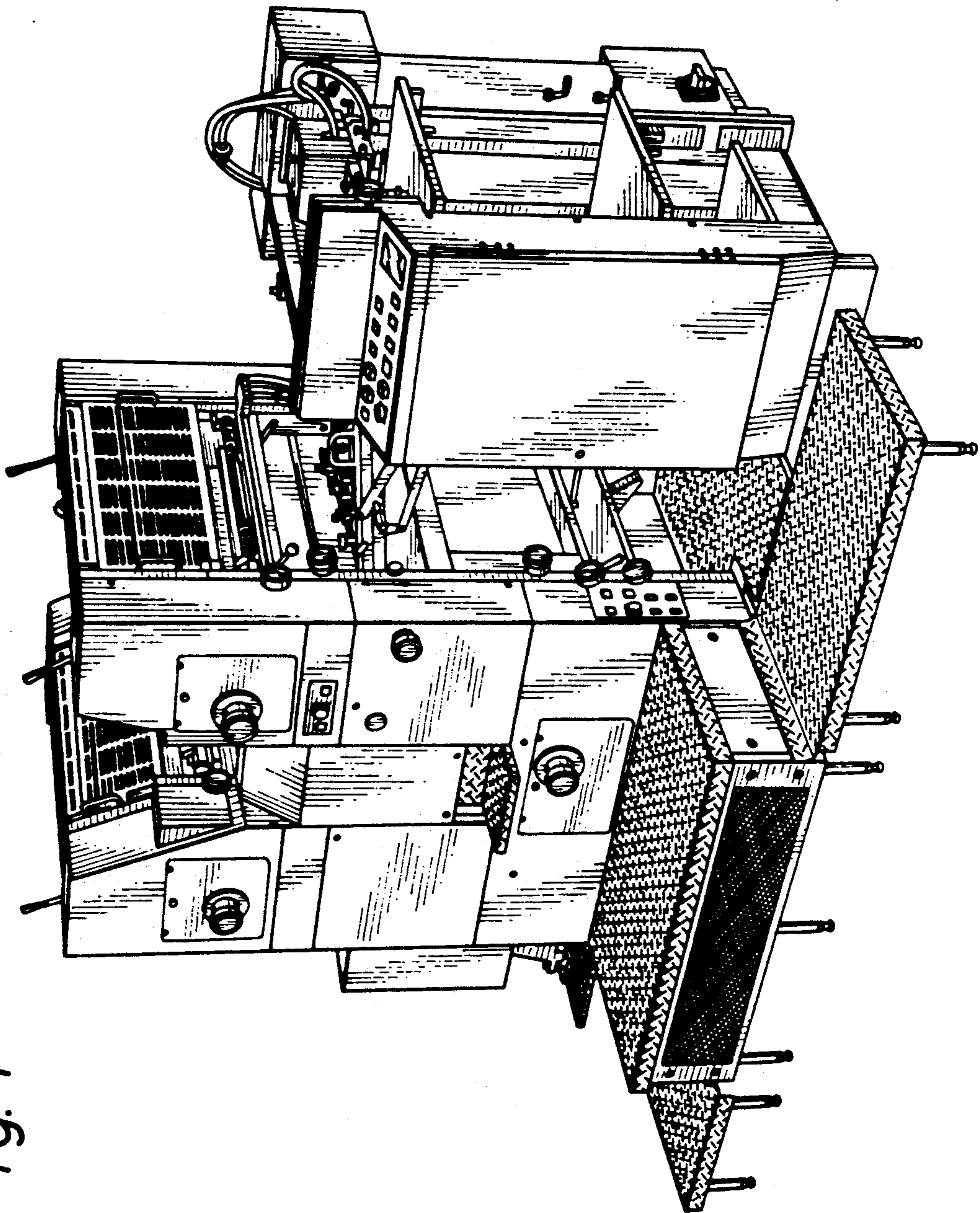


Fig. 1

Fig. 2

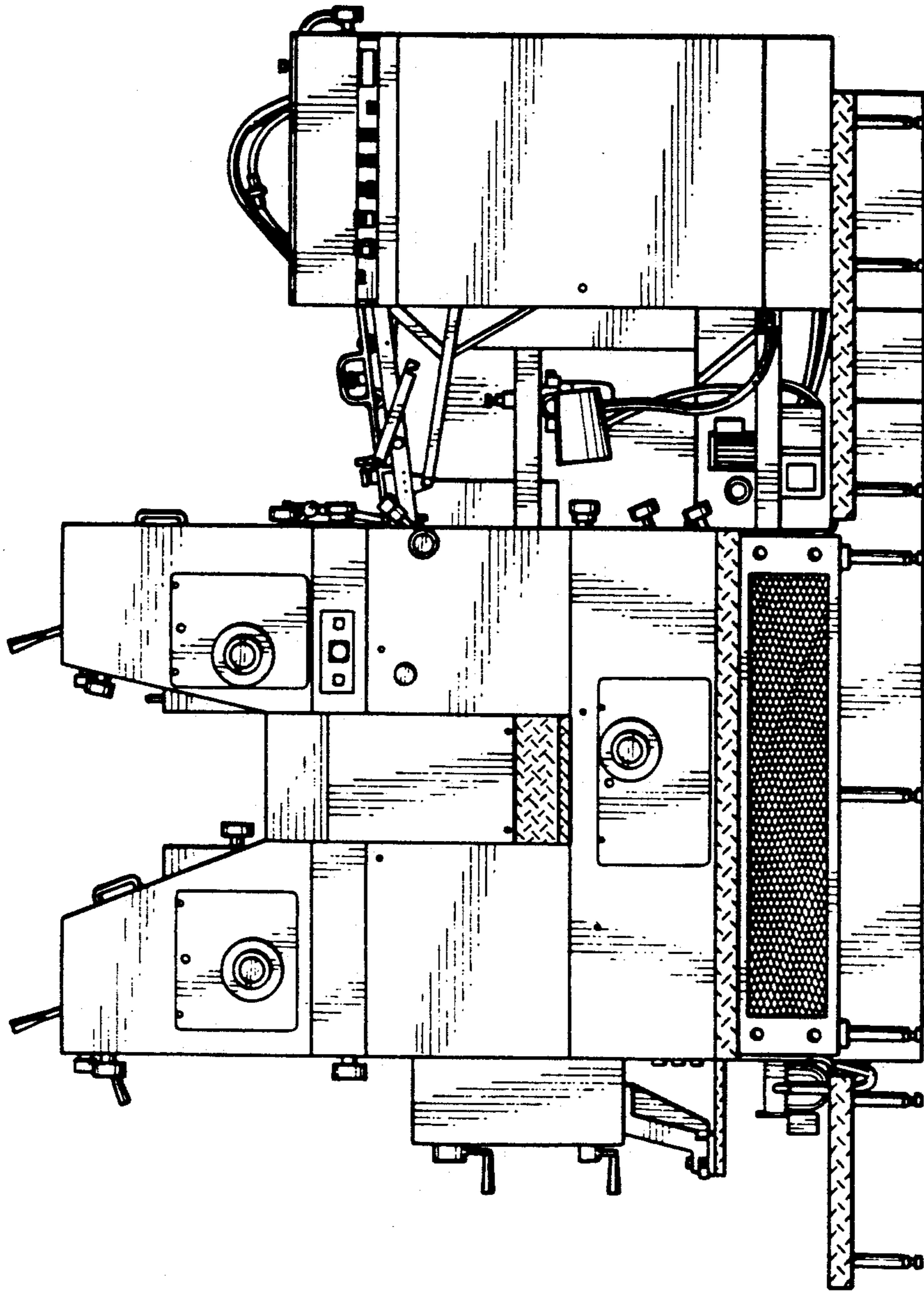


Fig. 3

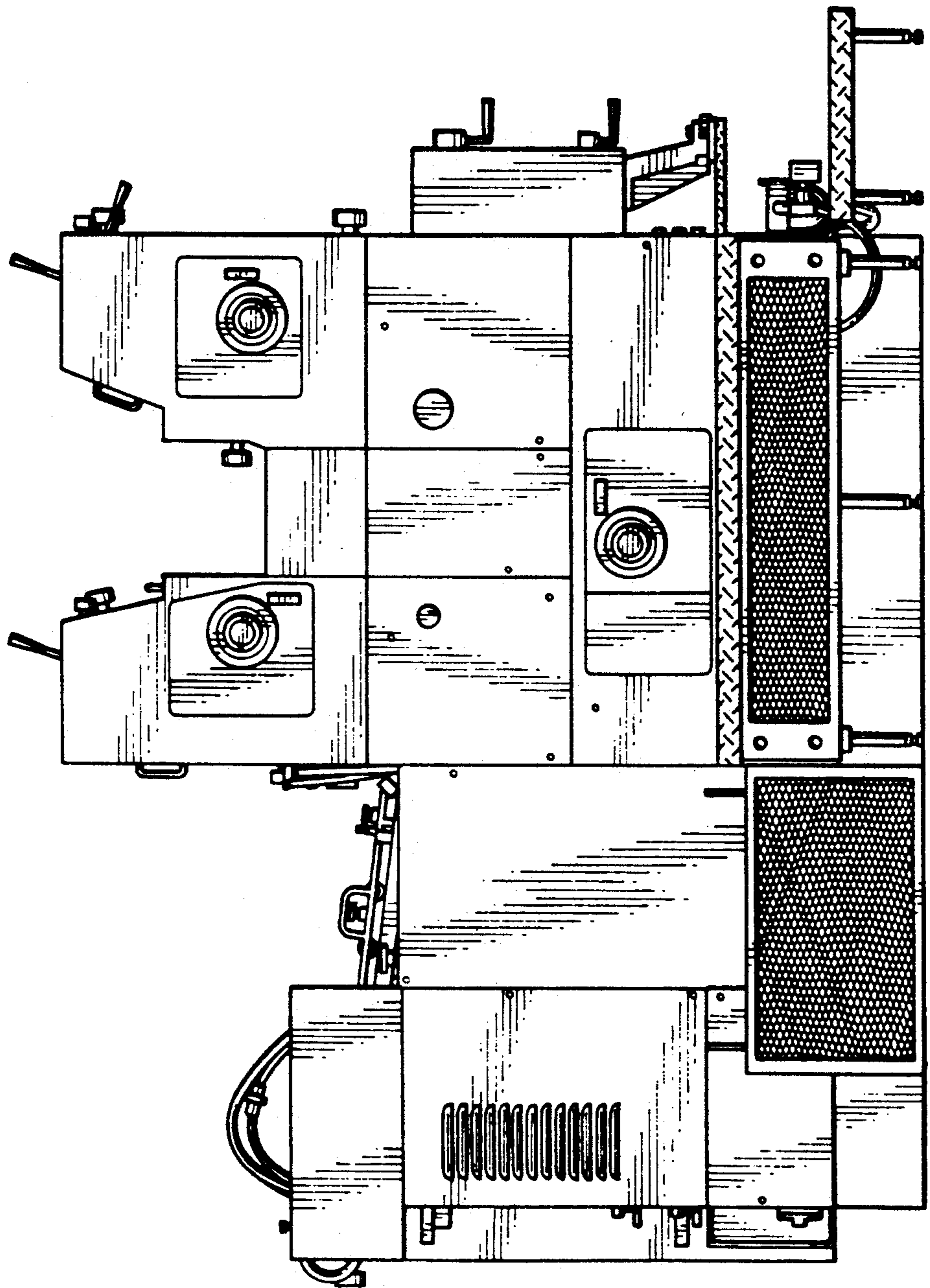


Fig. 4

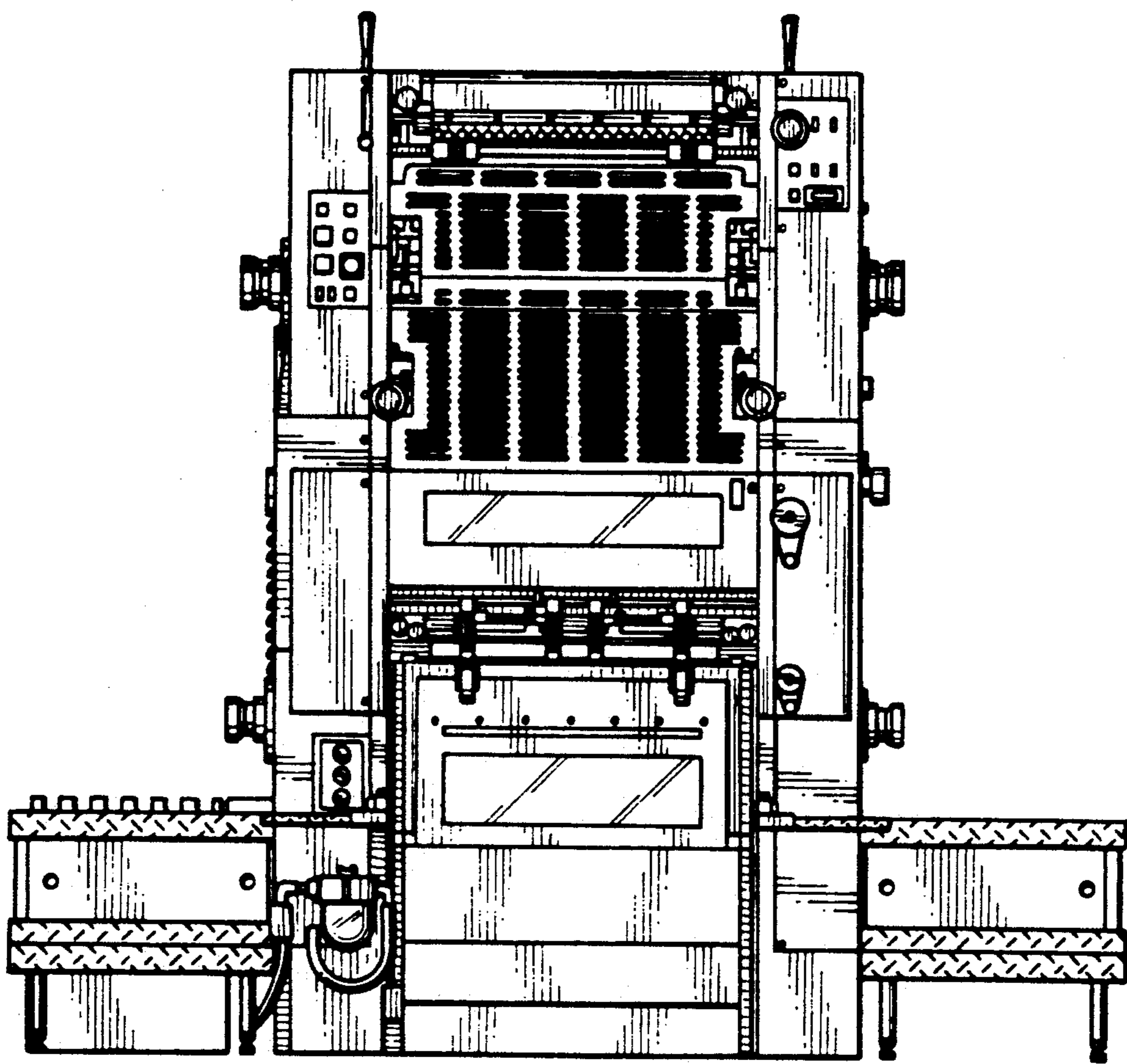


Fig. 5

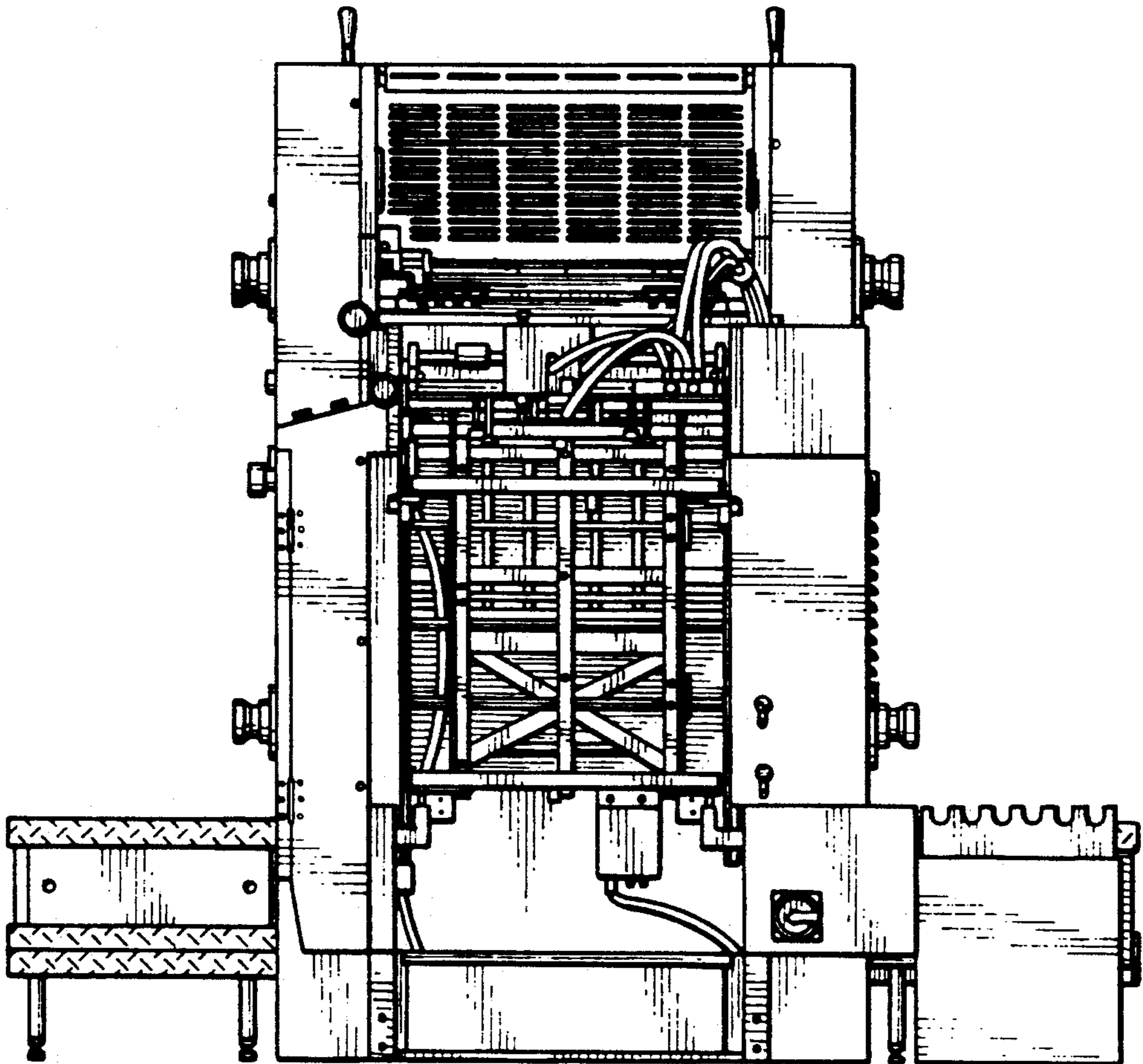


Fig. 6

