



US00D323843S

United States Patent [19]

[11] Patent Number: **Des. 323,843**

Arai

[45] Date of Patent: **** Feb. 11, 1992**

[54] DISPOSABLE CAMERA

[75] Inventor: **Takuya Arai**, Tokyo, Japan

[73] Assignee: **Fuji Photo Film Co., Ltd.**, Kanagawa, Japan

[**] Term: **14 Years**

[21] Appl. No.: **428,102**

[22] Filed: **Oct. 31, 1989**

[30] Foreign Application Priority Data

Jul. 13, 1989 [JP] Japan 1-25900

[52] U.S. Cl. **D16/208; D16/200**

[58] Field of Search **D16/200, 201, 202-204, D16/208, 209, 212, 217, 218; 354/75, 152, 126, 202, 288; D9/307, 414, 432**

[56] References Cited

U.S. PATENT DOCUMENTS

D. 83,021	1/1931	Teague	D16/218
D. 311,335	10/1990	Arai	D9/432
D. 313,183	12/1990	Arai	D9/432
D. 315,727	3/1991	Arai et al.	D14/121
D. 315,916	4/1991	Leonard et al.	D16/200
D. 317,169	5/1991	Isozaki	D16/218
4,812,866	3/1989	Ushiro et al.	354/288
4,884,087	11/1989	Mochida et al.	354/75

OTHER PUBLICATIONS

Popular Photography, 1988 (Dec.) p. 134 (Quick Snap Camera); (Fuji).

"Fuji Puts A Lens-Fitted Photographic Film Package on Sale", *Japan Economic News*, May 28, 1986. p. 8.

"It Takes Pictures Without A Camera", *International Business Week*, Jun. 16, 1986, edited By S. Siwolop, p. 92.

"High-Quality 'Utsurun-Desu'", *Tokyo News*, Jun. 2, 1987, p. 5.

"It takes Picutures Even In The Dark!", *Japan Industrial News*, Nov. 5, 1987, p. 9.

Primary Examiner—Bernard Ansher

Assistant Examiner—Adir Aronovich

Attorney, Agent, or Firm—Young & Thompson

[57] CLAIM

The ornamental design for a disposable camera, as shown.

DESCRIPTION

FIG. 1 is a top, front and side perspective view of a disposable camera showing my new design;

FIG. 2 is a front elevational view thereof;

FIG. 3 is a rear elevational view thereof;

FIG. 4 is a top plan view thereof;

FIG. 5 is a bottom plan view thereof;

FIG. 6 is a left side elevational view thereof; and

FIG. 7 is a right side elevational view thereof.

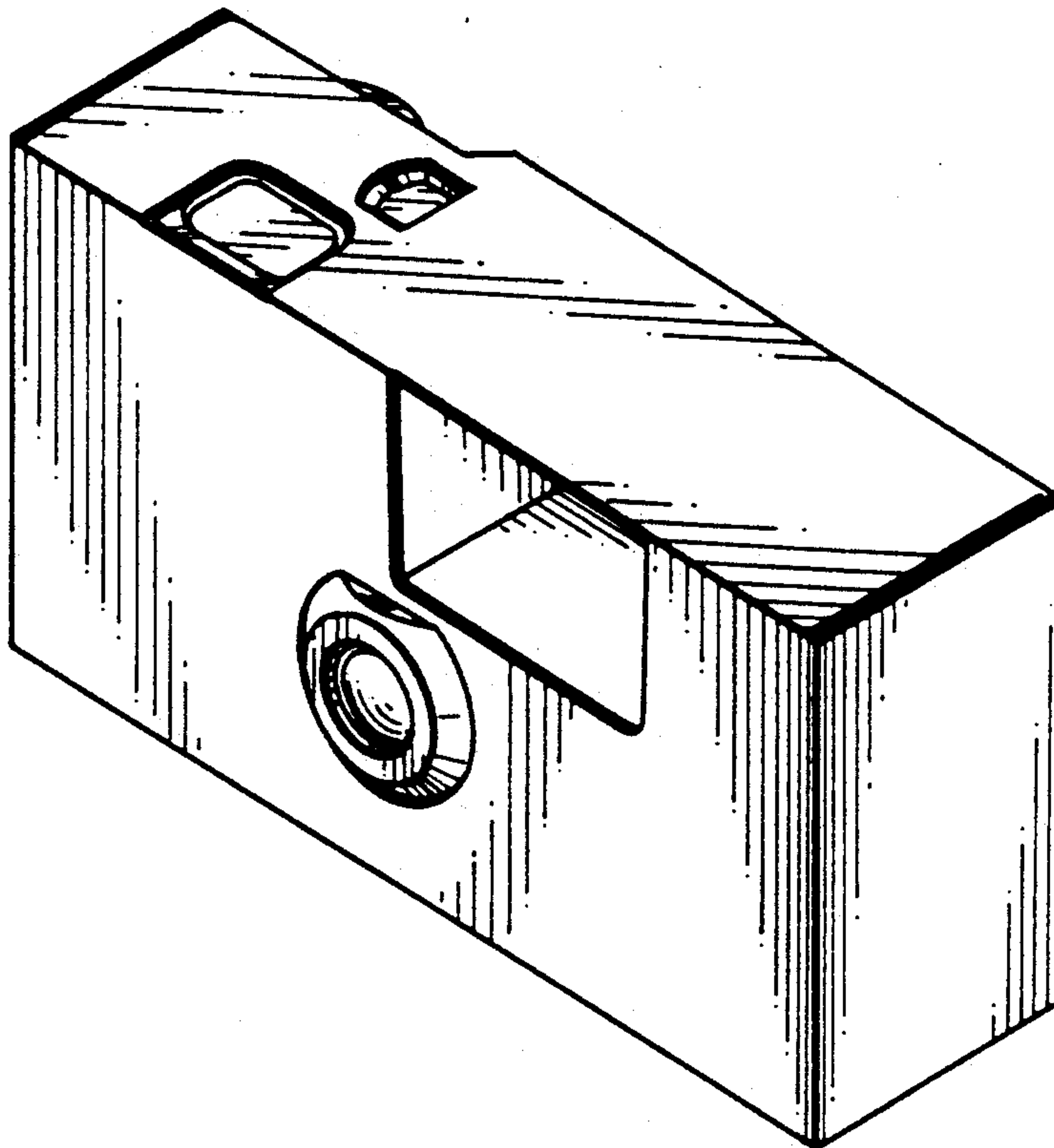


FIG. 1

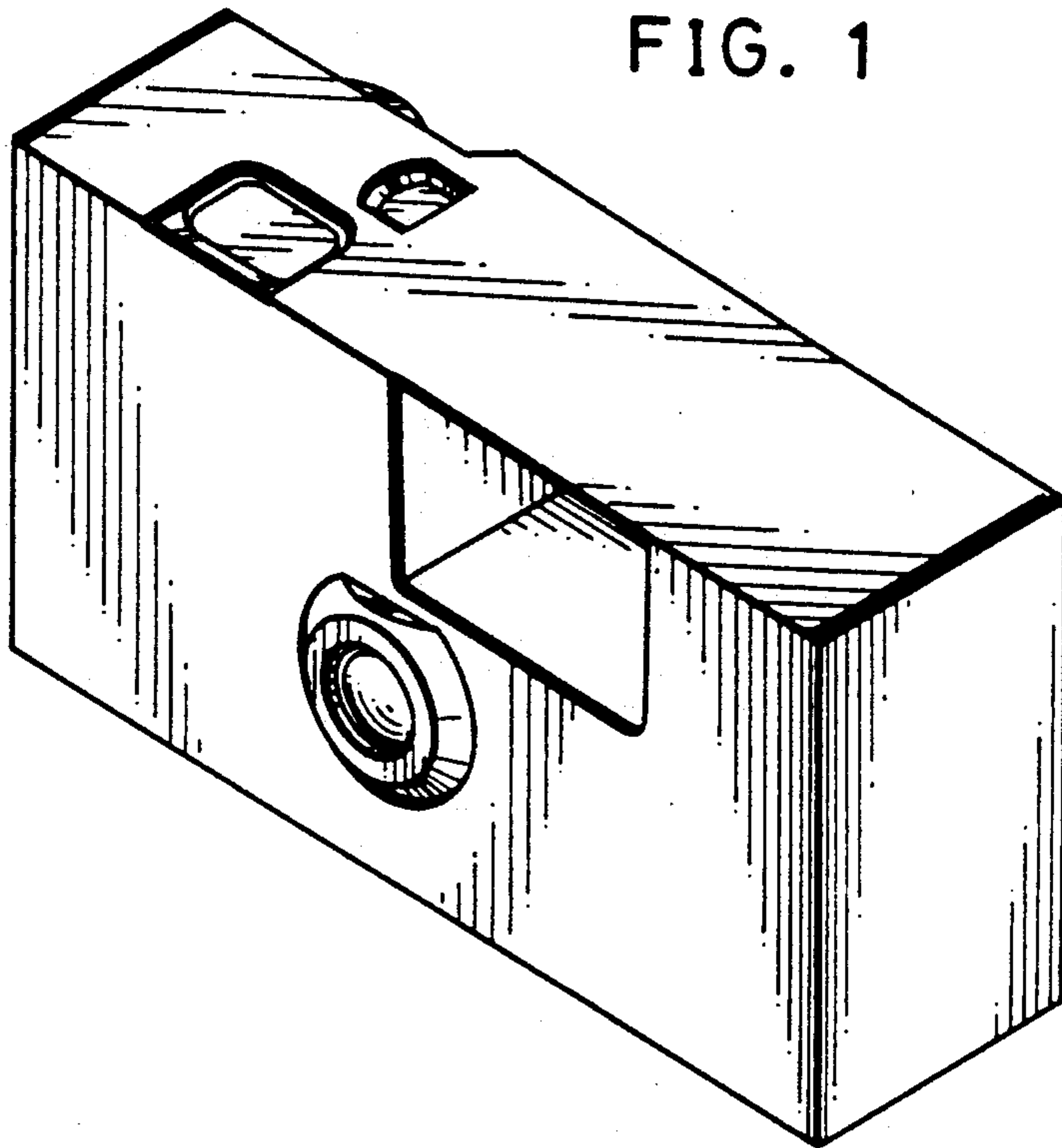


FIG. 2

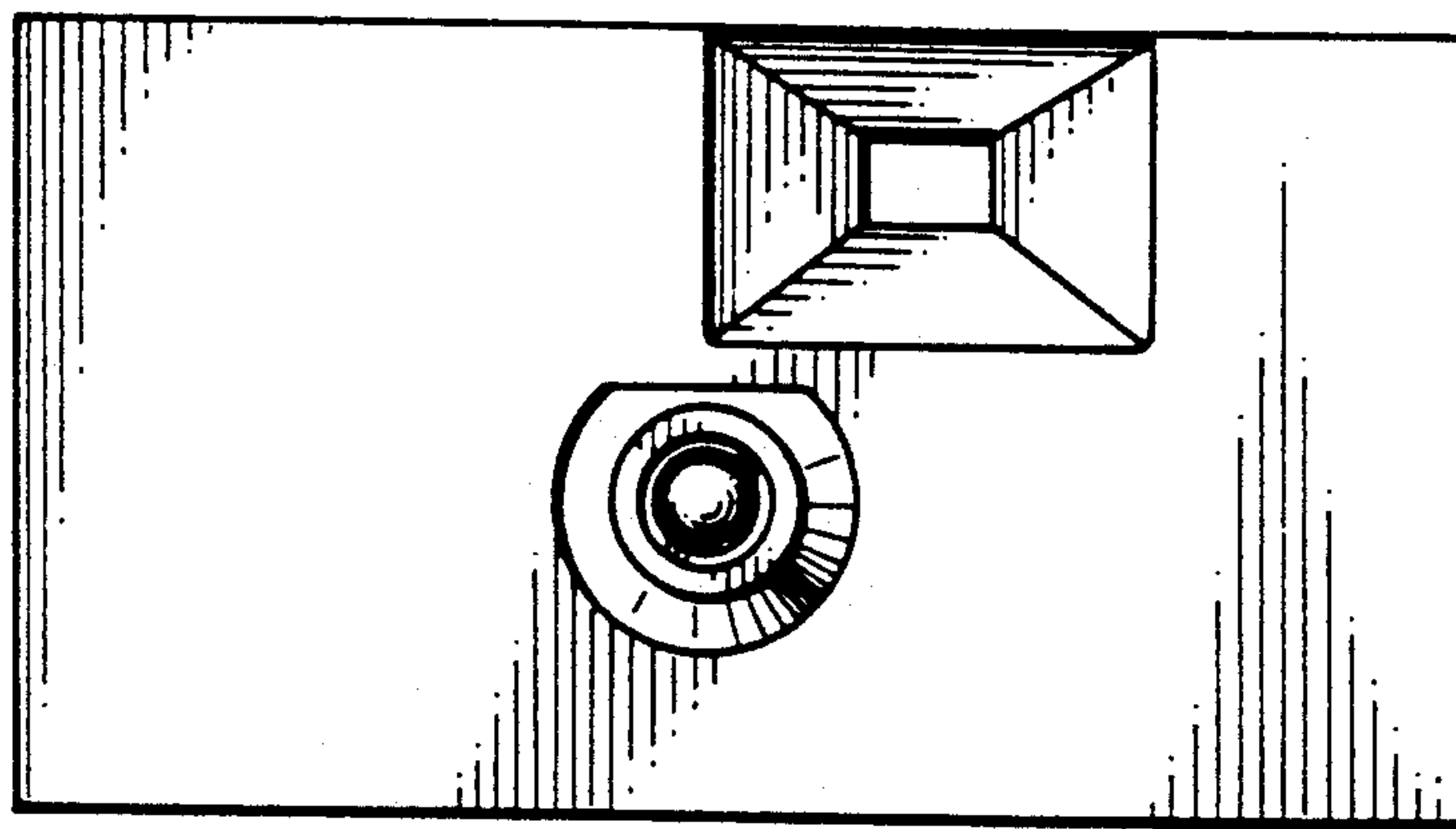


FIG. 3

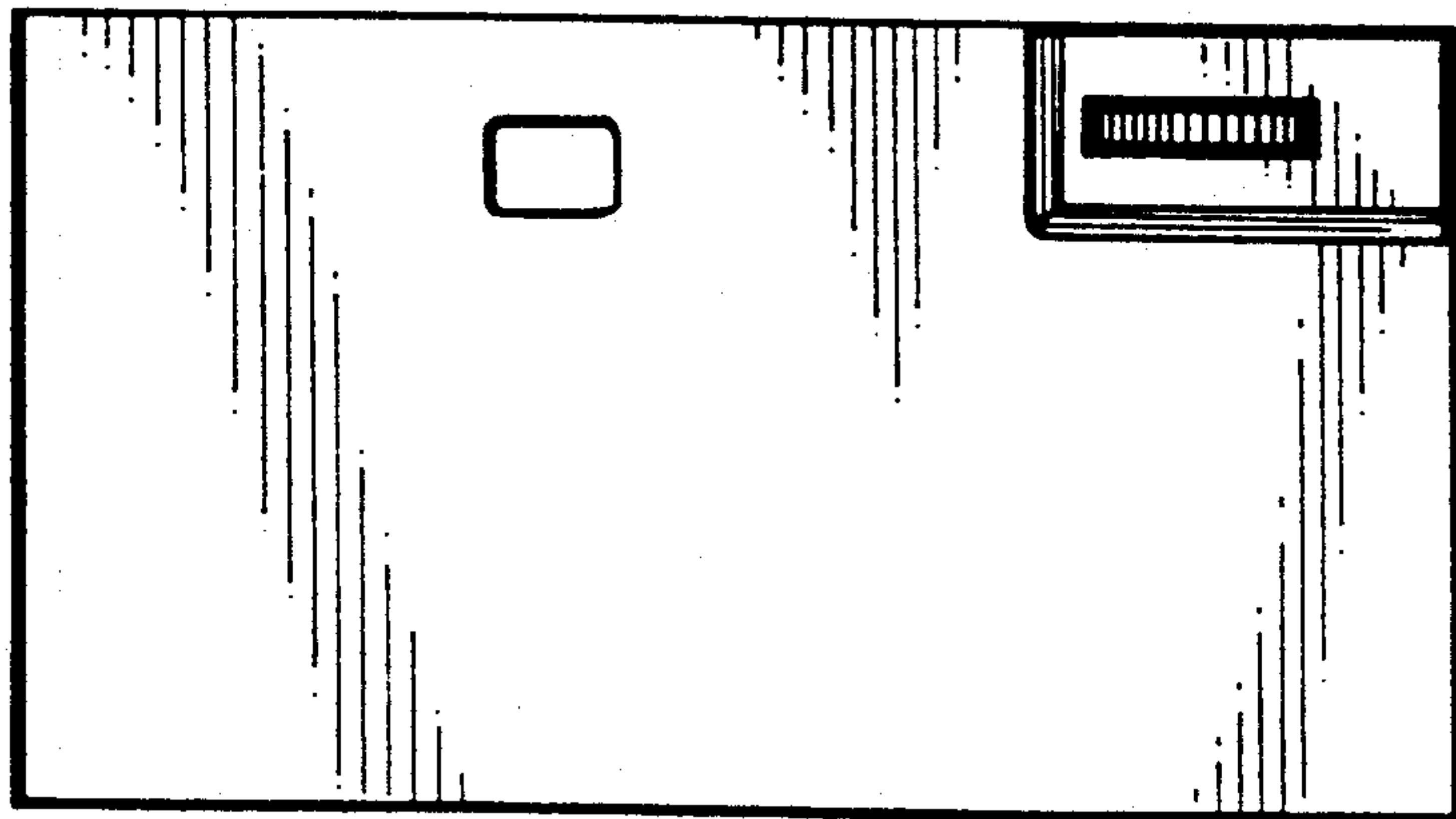


FIG. 4

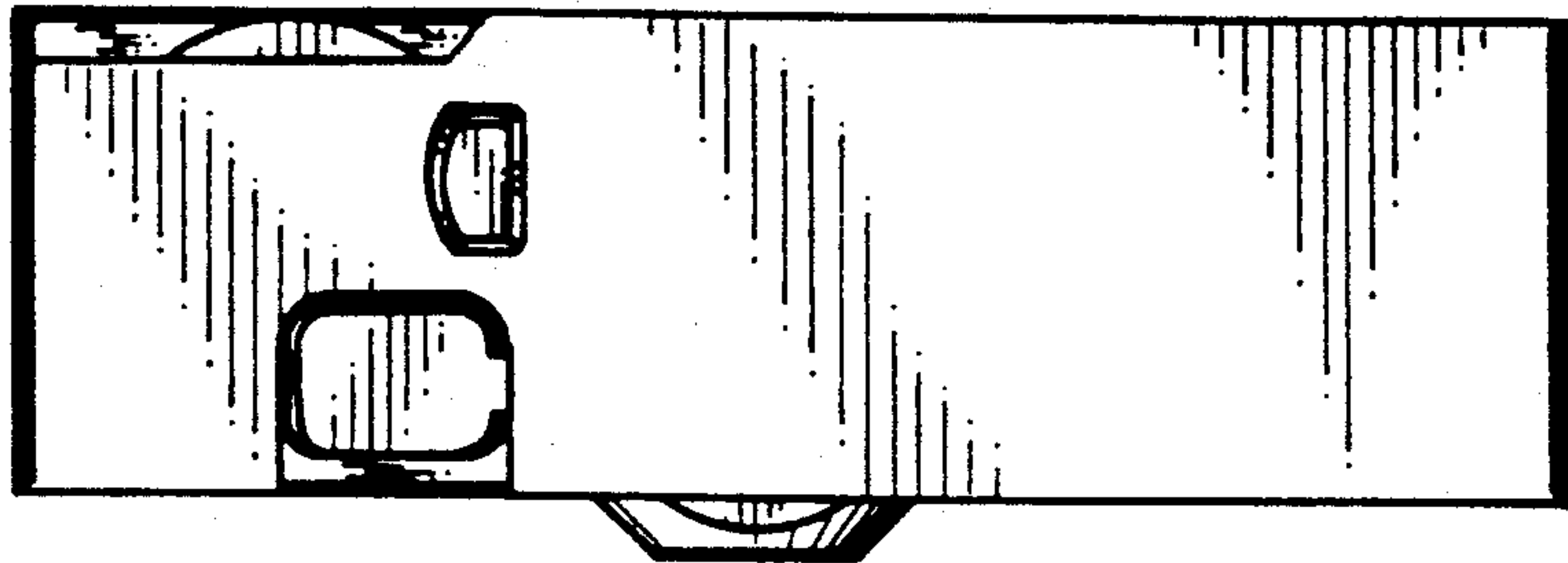


FIG. 5

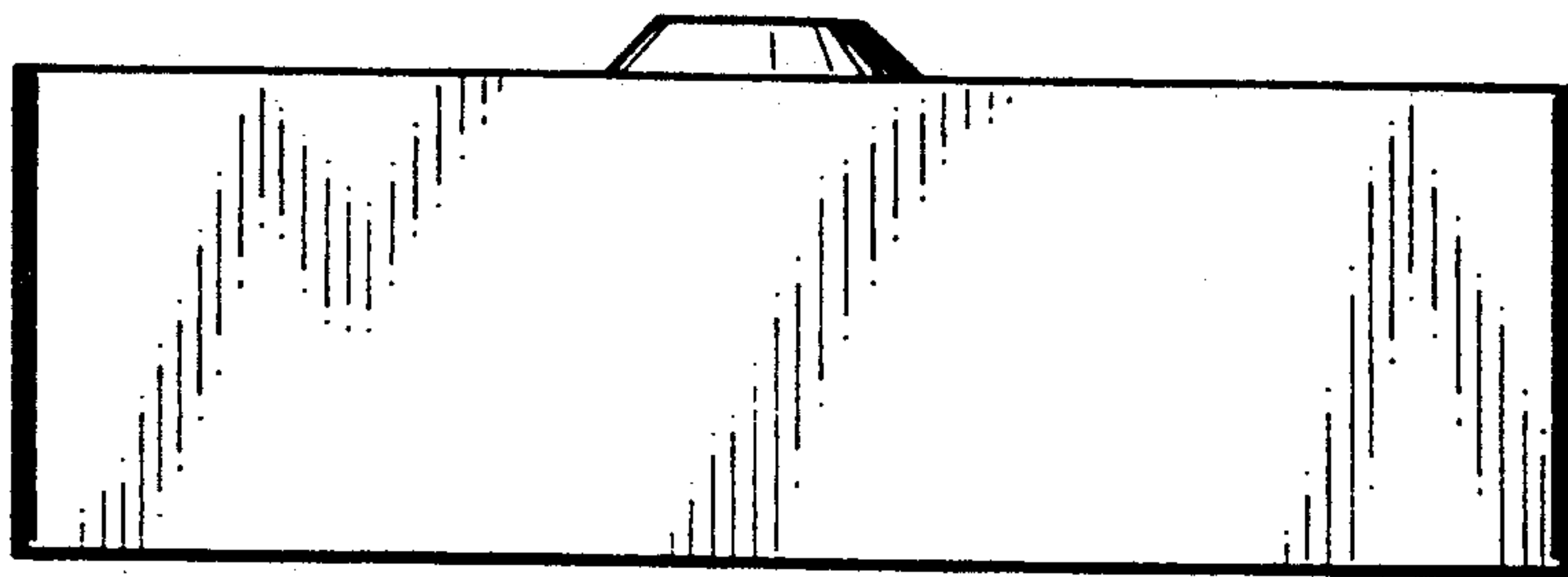


FIG. 6

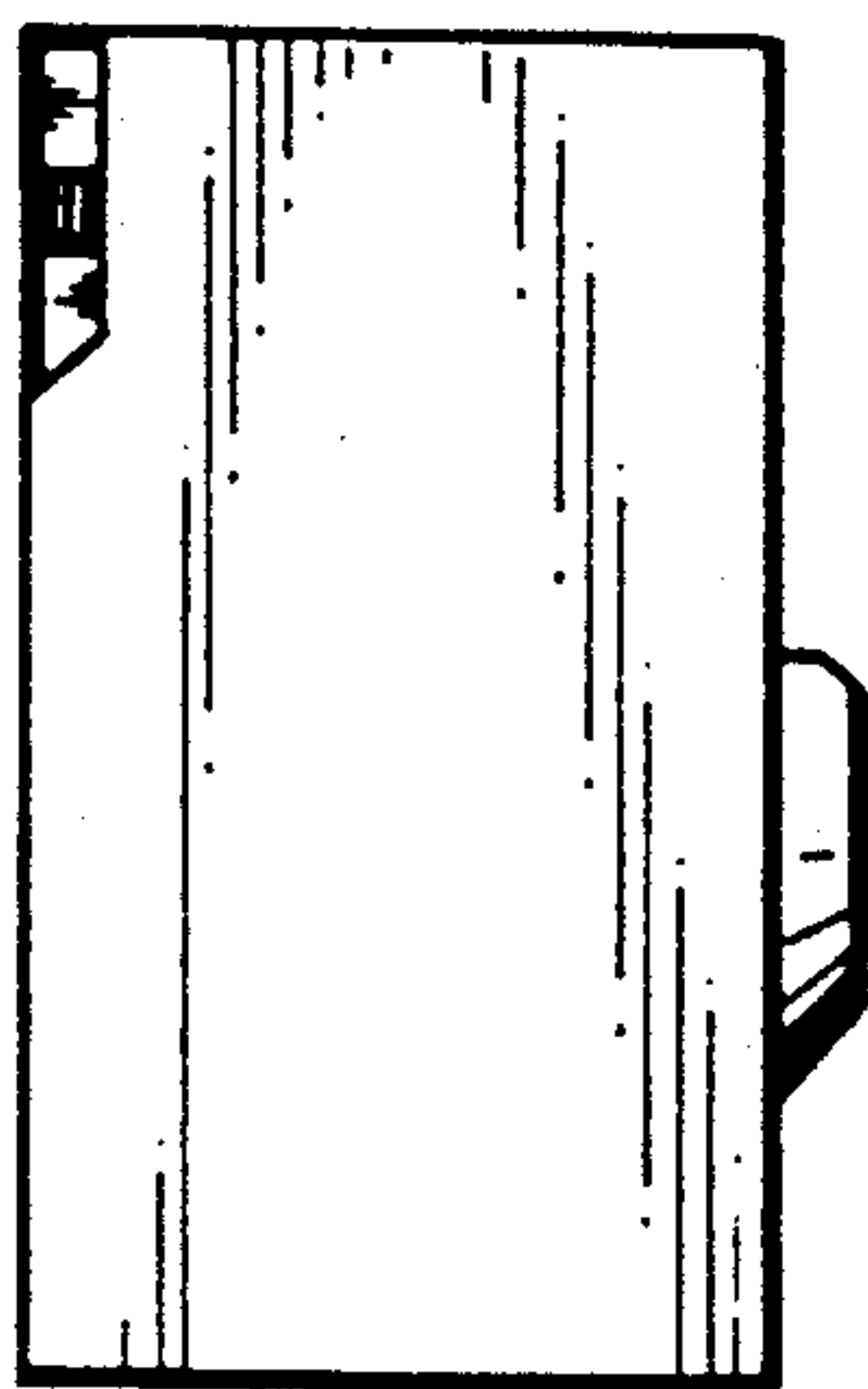


FIG. 7

