



US00D323842S

# United States Patent [19]

[11] Patent Number: **Des. 323,842**

**Arai**

[45] Date of Patent: **\*\* Feb. 11, 1992**

## [54] DISPOSABLE CAMERA

[75] Inventor: **Takuya Arai, Tokyo, Japan**

[73] Assignee: **Fuji Photo Film Co., Ltd., Kanagawa, Japan**

[\*\*] Term: **14 Years**

[21] Appl. No.: **428,101**

[22] Filed: **Oct. 31, 1989**

### [30] Foreign Application Priority Data

May 19, 1989 [JP] Japan ..... 1-18271

[52] U.S. Cl. .... **D16/208; D16/200**

[58] Field of Search ..... **D16/200, 201-204, D16/208, 209, 212, 217, 218; D9/307, 414, 432; 354/75, 126, 152, 202, 288**

### [56] References Cited

#### U.S. PATENT DOCUMENTS

D. 83,021	1/1931	Teague	.....	D16/218
D. 311,335	10/1990	Arai	.....	D9/432
D. 313,183	12/1990	Arai	.....	D9/432
D. 315,916	4/1991	Leonard et al.	.....	D16/218
4,882,600	11/1989	Van De Moere	.....	354/288
4,954,857	9/1990	Mochida et al.	.....	354/288

## OTHER PUBLICATIONS

Popular Photography, Dec. 1988 p. 134 (Fuji Quick Snap Camera).

"Fuji Puts A Lens-Fitted Photographic Film Package on Sale", *Japan Economic News*, May 28, 1986, p. 8.

"It Takes Pictures Without A Camera", *International Business Week*, Jun. 16, 1986, edited by S. Siwolop, p. 92.

"High-Quality 'Utsurun-Desu'", *Tokyo News*, Jun. 2, 1987, p. 5.

"It Takes Pictures Even In The Dark!", *Japan Industrial News*, Nov. 5, 1987, p. 9.

*Primary Examiner*—Bernard Ansher

*Assistant Examiner*—Adir Aronovich

*Attorney, Agent, or Firm*—Young & Thompson

## [57] CLAIM

The ornamental design for a disposable camera, as shown.

## DESCRIPTION

FIG. 1 is a top, front and side perspective view of a disposable camera showing my new design;

FIG. 2 is a front elevational view thereof;

FIG. 3 is a rear elevational view thereof;

FIG. 4 is a top plan view thereof;

FIG. 5 is a bottom plan view thereof;

FIG. 6 is a left side elevational view thereof; and

FIG. 7 is a right side elevational view thereof.

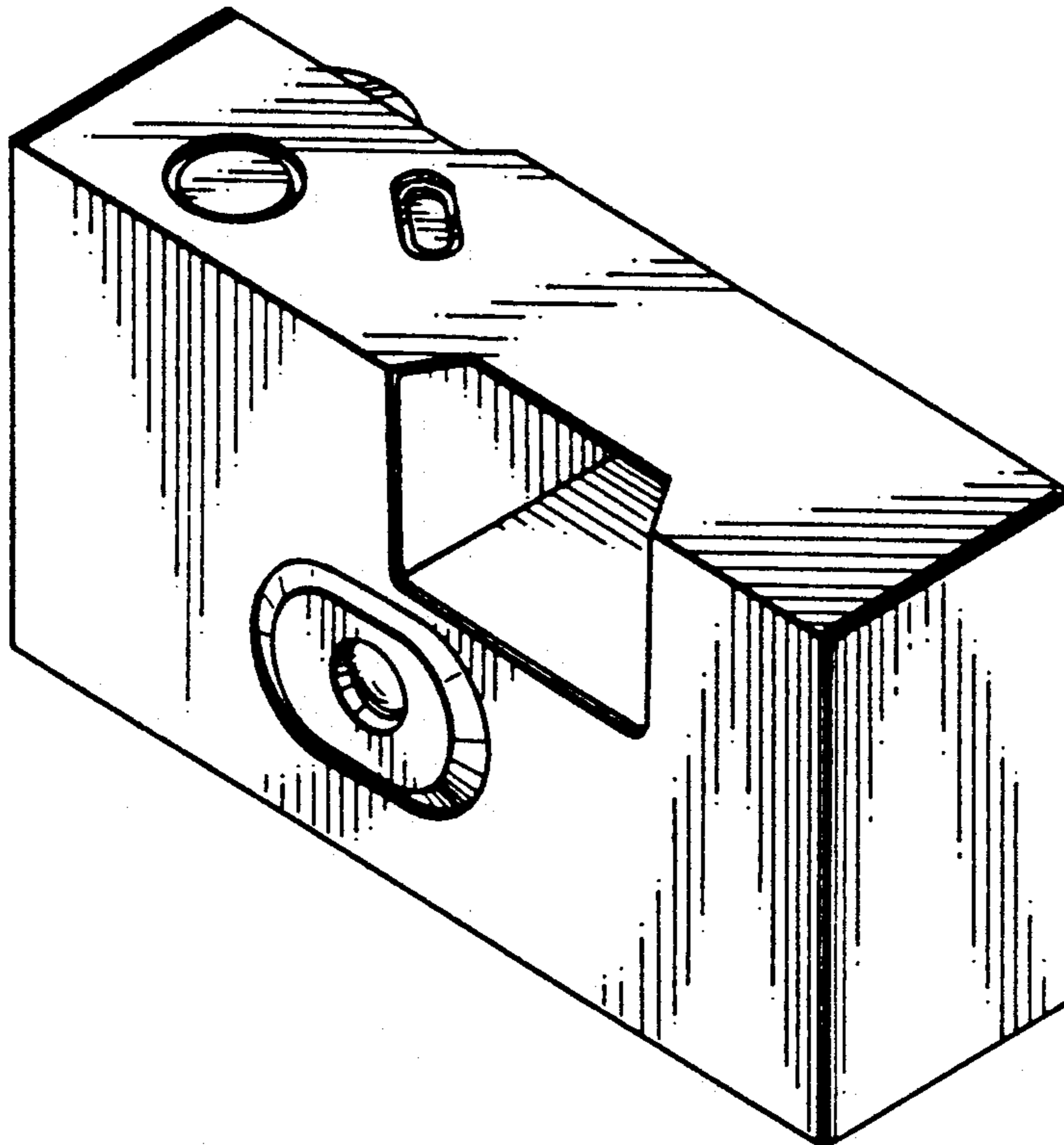


FIG. 1

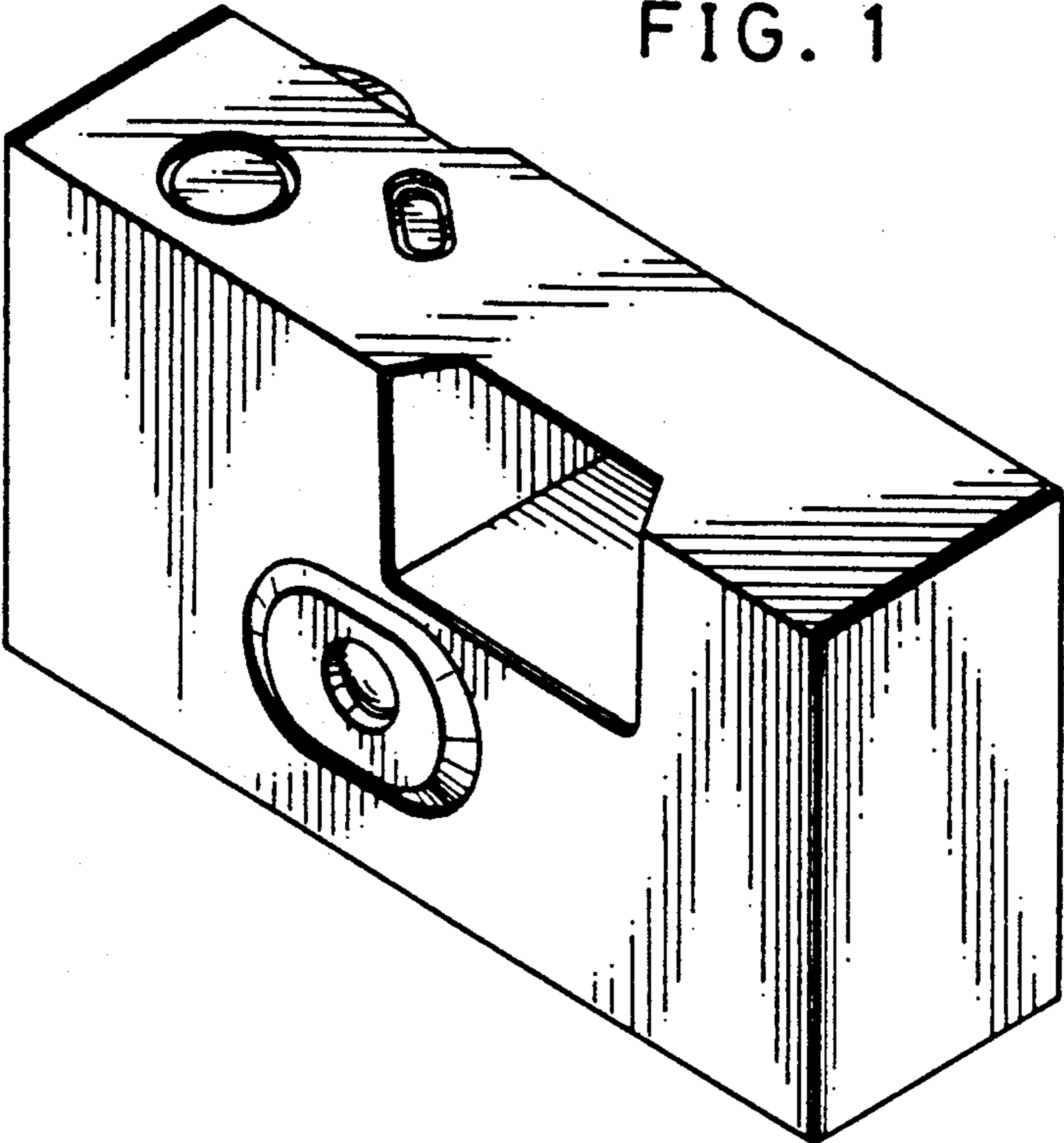


FIG. 2

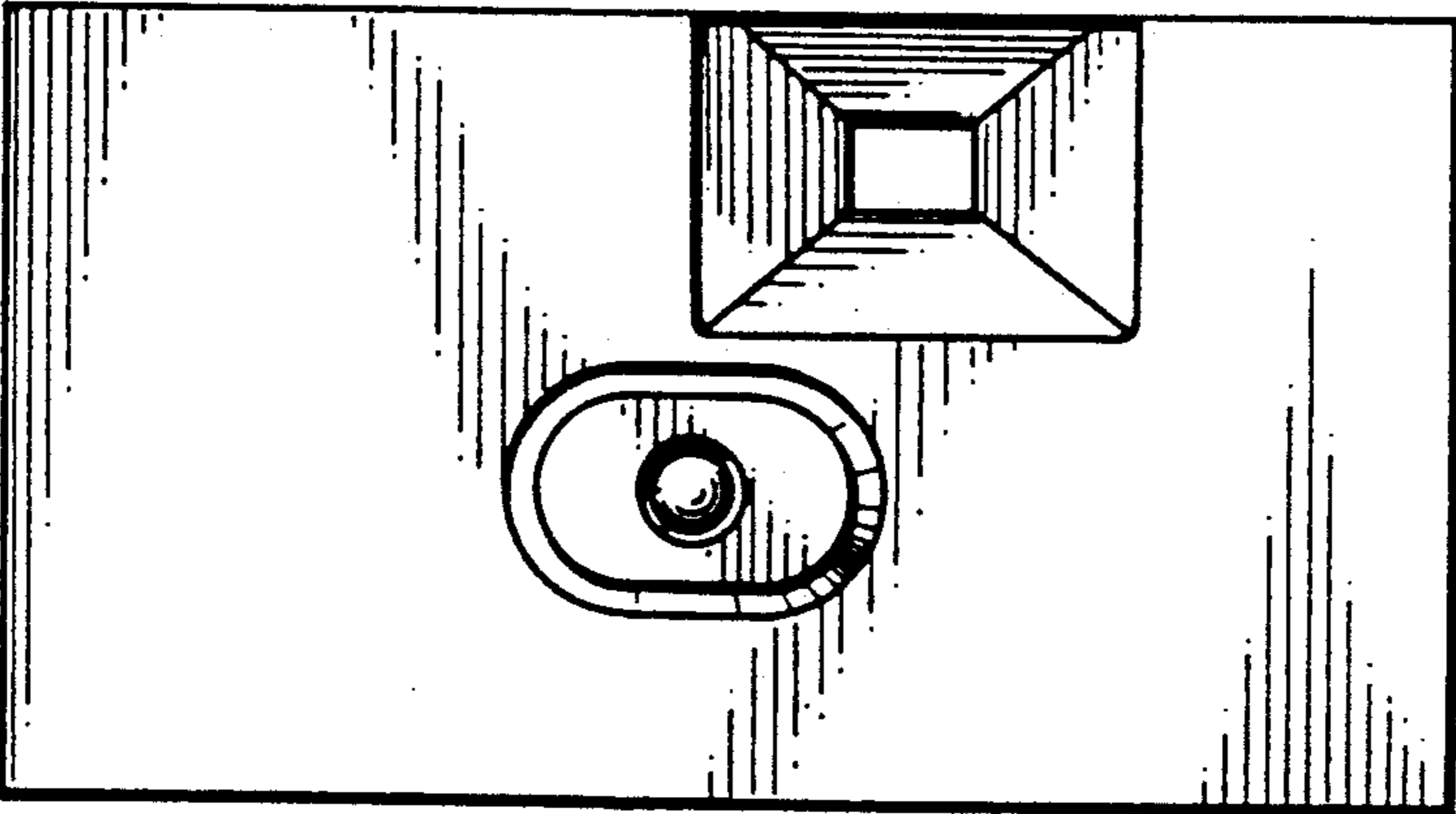


FIG. 3

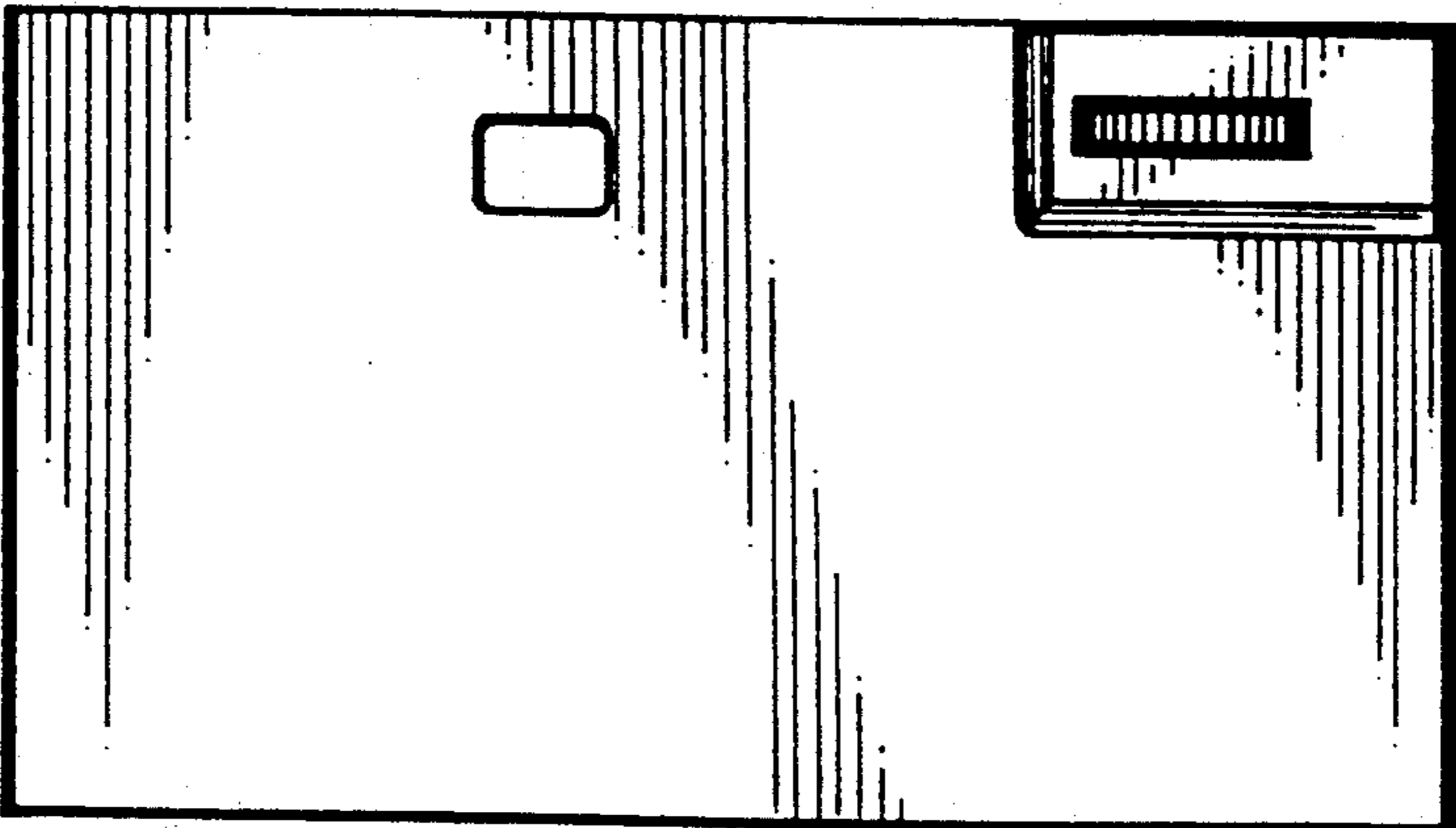


FIG. 4

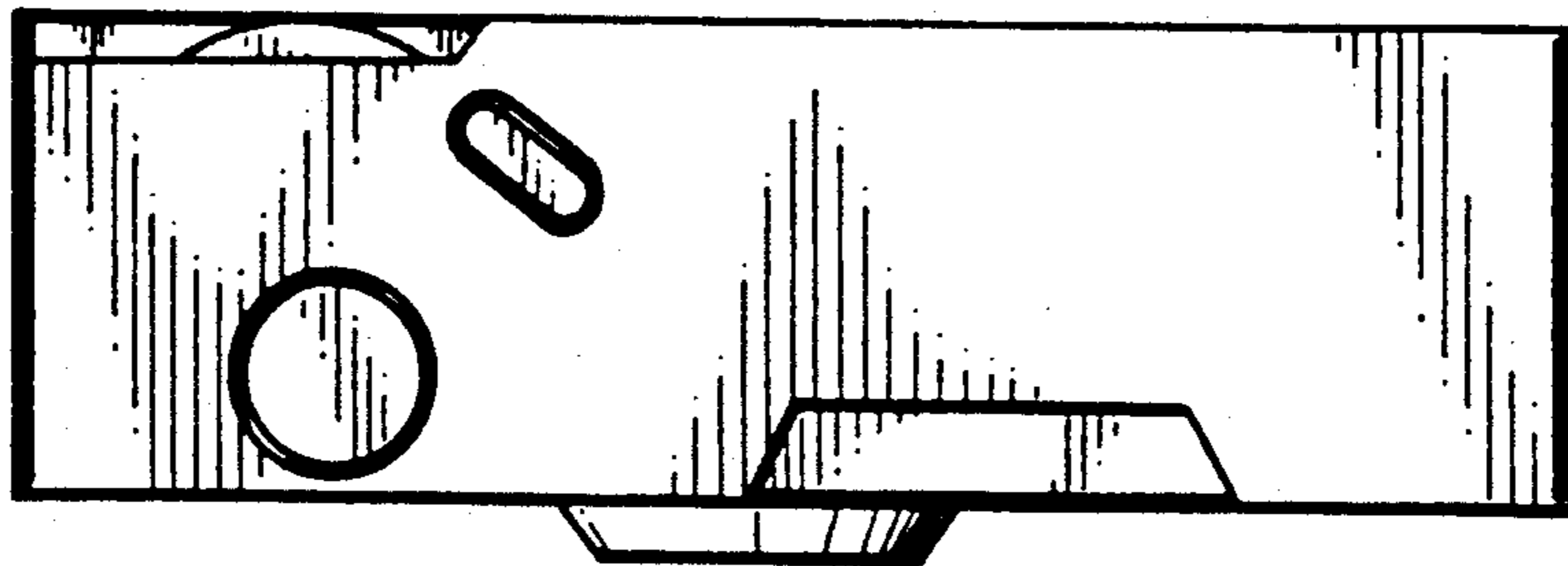


FIG. 5

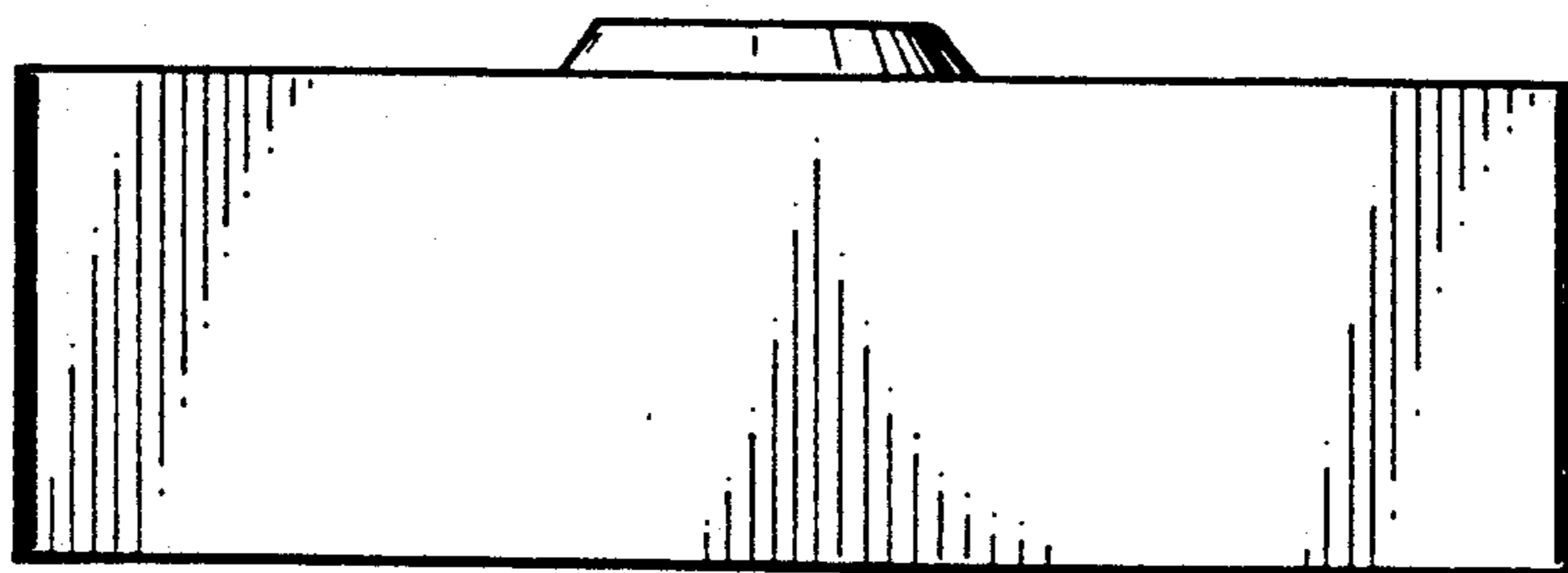


FIG. 6



FIG. 7

