



US00D323838S

# United States Patent [19]

[11] Patent Number: **Des. 323,838**

Rebstock

[45] Date of Patent: **\*\* Feb. 11, 1992**

[54] **STRIKER ATTACHMENT FOR GAS CUTTING TORCHES**

4,411,411 10/1983 Barthelness ..... D15/144 X  
4,459,096 7/1984 Fischer et al. .... 431/274  
4,698,068 10/1987 Jensen ..... 431/269 X

[76] Inventor: **Matthew V. Rebstock**, 1642 Nie Parkway, New Orleans, La. 70114

*Primary Examiner*—Nelson C. Holtje  
*Assistant Examiner*—Antoine D. Davis  
*Attorney, Agent, or Firm*—Keaty & Keaty

[\*\*] Term: **14 Years**

[21] Appl. No.: **223,770**

[57] **CLAIM**

[22] Filed: **Jul. 22, 1988**

The ornamental design of a striker attachment for gas cutting torches, as shown and described.

[52] U.S. Cl. .... **D15/144**

[58] Field of Search ..... D15/144; 126/25 B, 232; 431/28, 91, 127, 129, 139, 144, 249, 250, 251, 253, 254, 267, 269, 270-278, 279

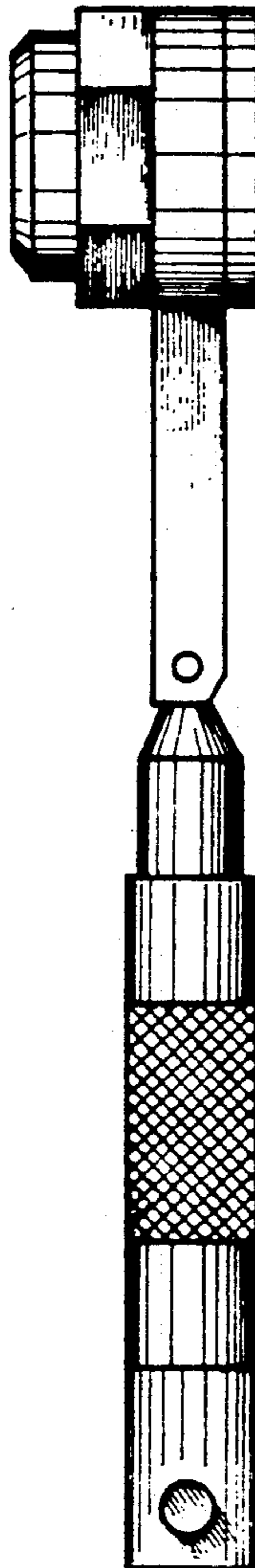
**DESCRIPTION**

[56] **References Cited**

**U.S. PATENT DOCUMENTS**

946,796 1/1910 Feldkamp ..... 431/273 X  
2,503,640 4/1990 Speck ..... 431/276 X  
2,826,904 3/1958 Williamson ..... 431/276

FIG. 1 is a front and left side elevational view of a striker attachment for gas cutting torches showing my new design;  
FIG. 2 is a front elevational view;  
FIG. 3 is a right side elevational view; and  
FIG. 4 is a front and right side perspective view thereof, the broken line showing of a gas cutting torch is environmental only and forms no part of the claimed design.



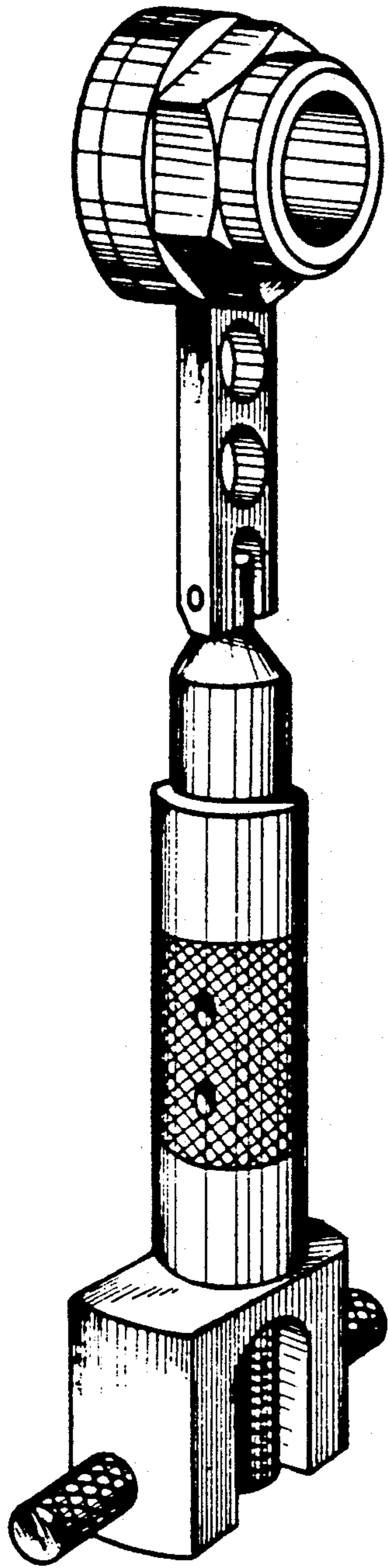


FIG. 1

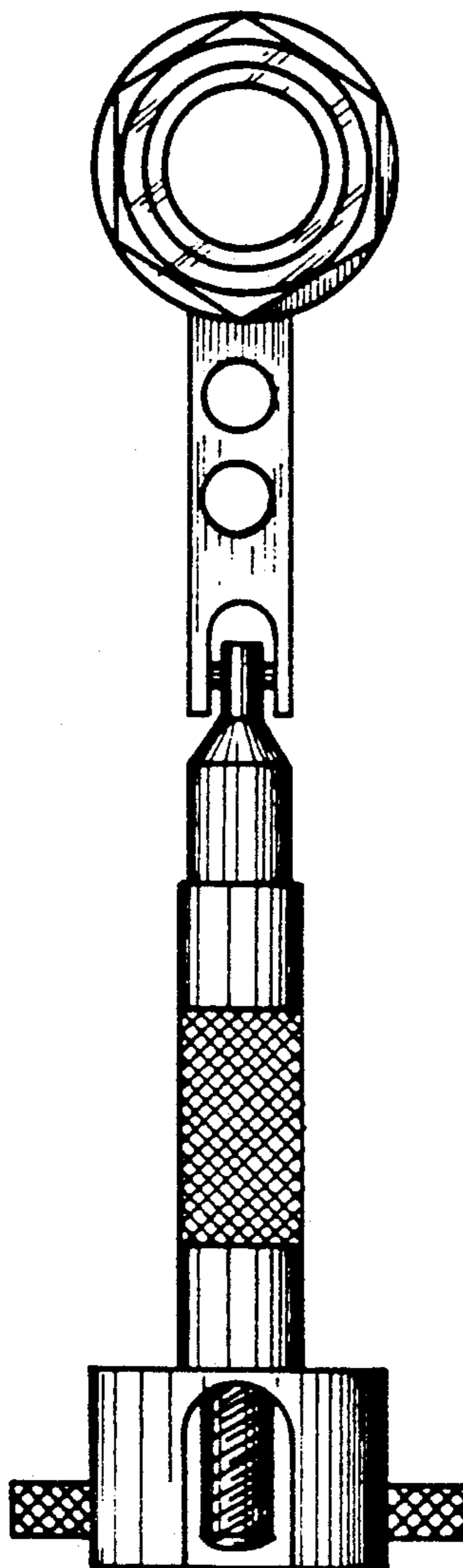


FIG. 2

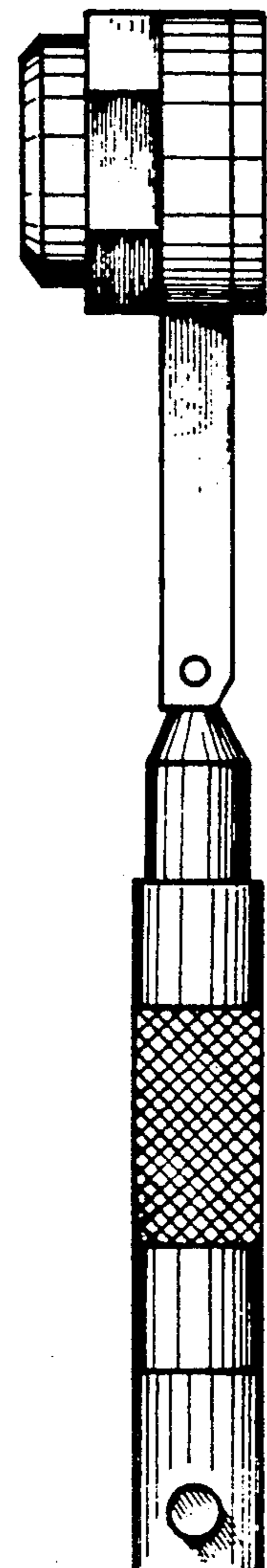


FIG. 3

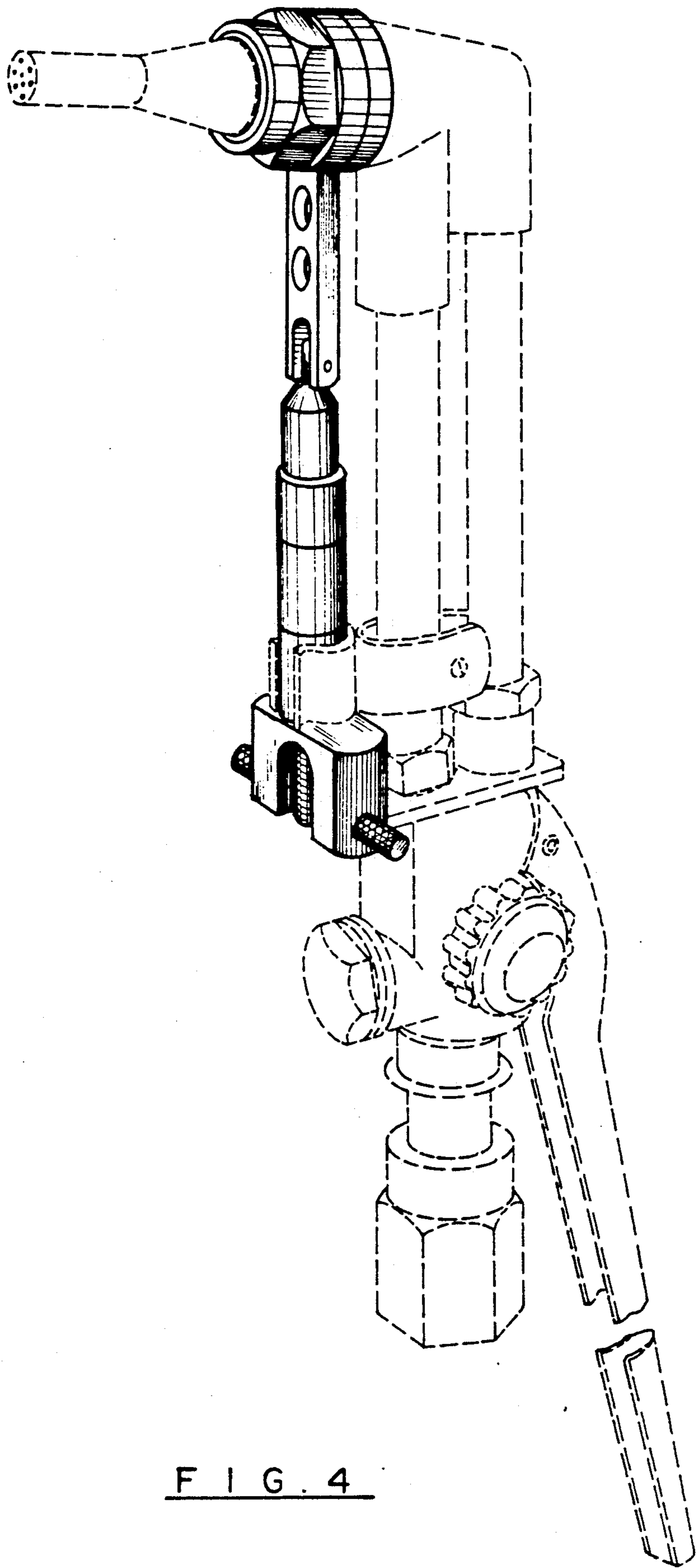


FIG. 4