



US00D323836S

# United States Patent [19]

[11] Patent Number: **Des. 323,836**

Woolman et al.

[45] Date of Patent: **\*\* Feb. 11, 1992**

[54] **FIXED FOCAL POINT TOOL HOLDER**

4,642,002 2/1987 Wagner ..... 488/238 X

[76] Inventors: **Richard F. Woolman**, 1736 Shipley La., Huntington Beach, Calif. 92648;  
**Martin K. Taylor**, 7958 Fifth St., Downey, Calif. 90241

*Primary Examiner*—Bruce W. Dunkins  
*Assistant Examiner*—Antonie D. Davis  
*Attorney, Agent, or Firm*—Francis X. LoJacono

[\*\*] Term: **14 Years**

[57] **CLAIM**

[21] Appl. No.: **424,581**

The ornamental design for a fixed focal point tool holder, as shown.

[22] Filed: **Oct. 20, 1989**

**DESCRIPTION**

[52] U.S. Cl. .... **D15/140**

FIG. 1 is a perspective view of a fixed focal point tool holder showing our new design;

[58] Field of Search ..... **D15/140; 408/236, 237, 408/238, 239 R, 239 A, 240**

FIG. 2 is a top plan view;

FIG. 3 is a bottom plan view;

FIG. 4 is a left side elevational view;

FIG. 5 is a right side elevational view;

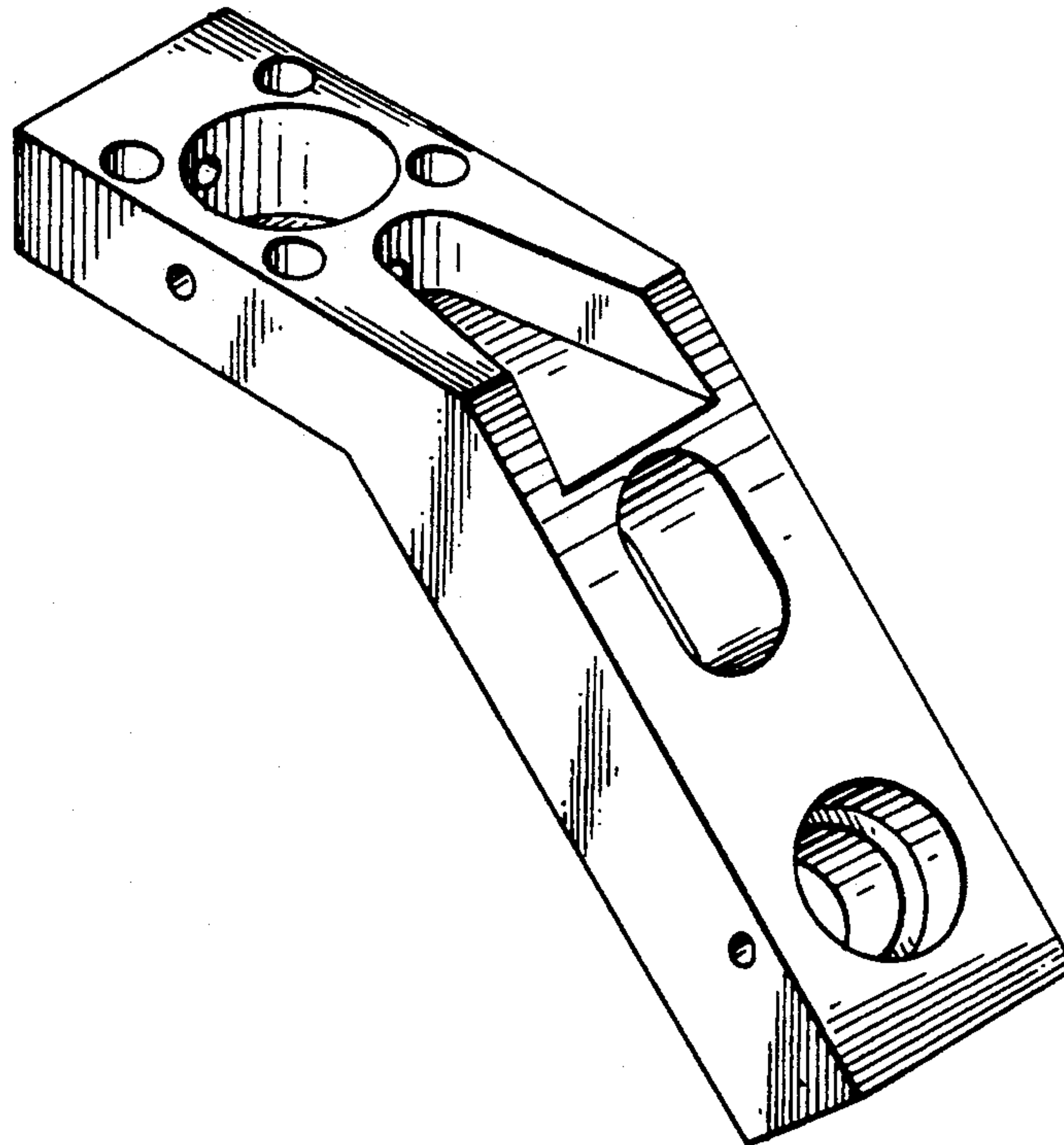
FIG. 6 is a rear elevational view; and

FIG. 7 is a front elevational view thereof.

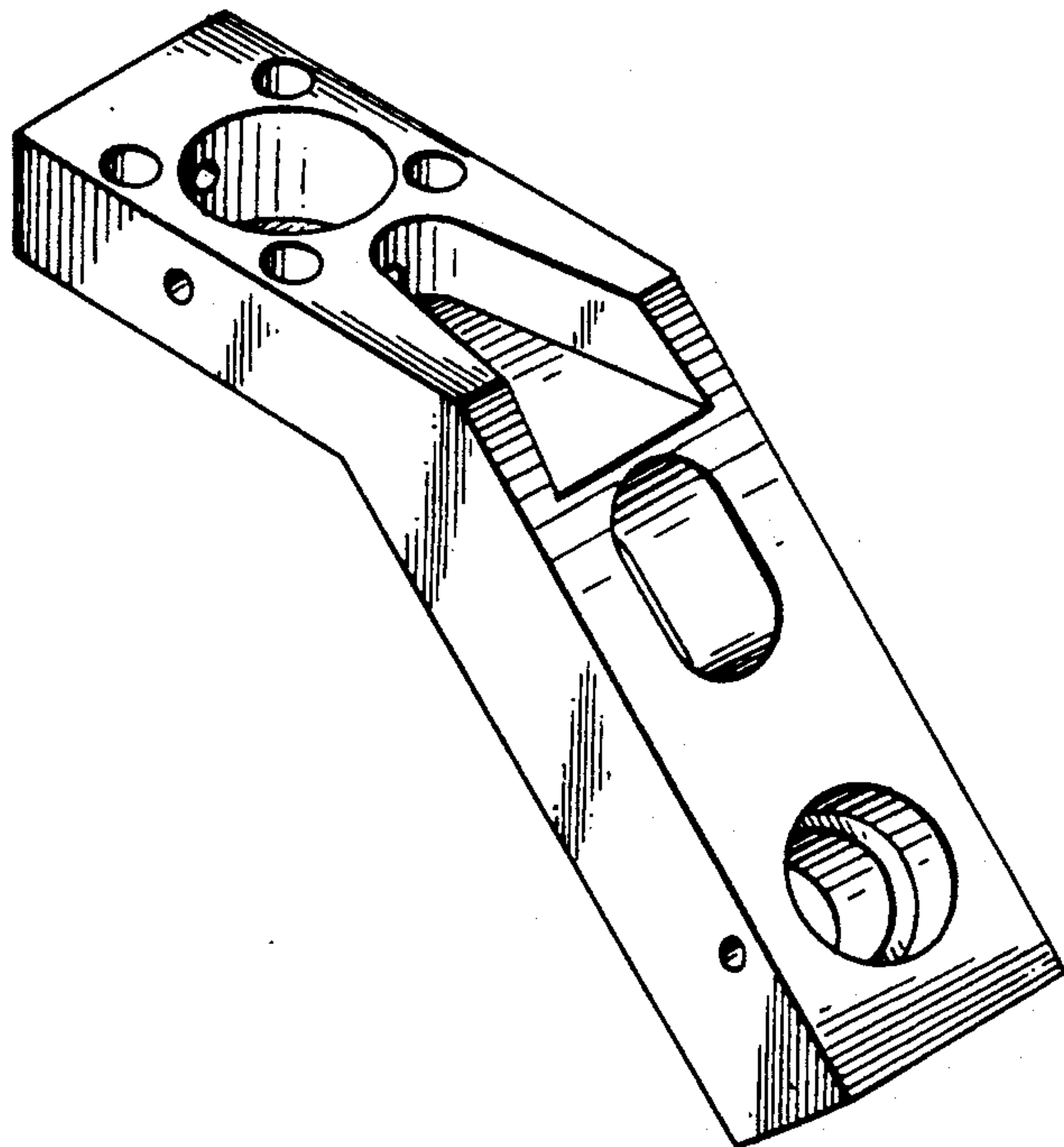
[56] **References Cited**

**U.S. PATENT DOCUMENTS**

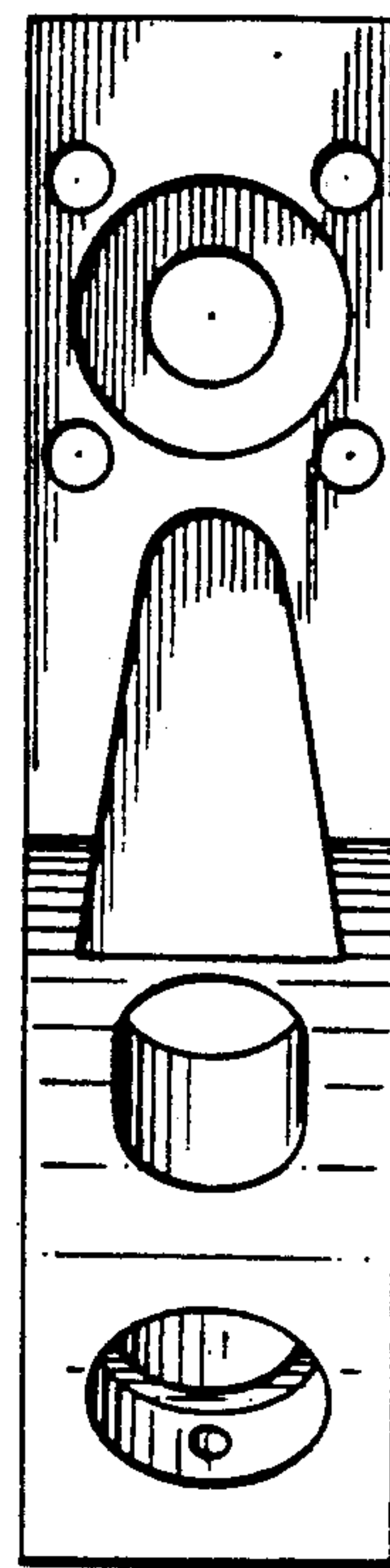
D. 269,518 6/1983 Karlan ..... D15/140



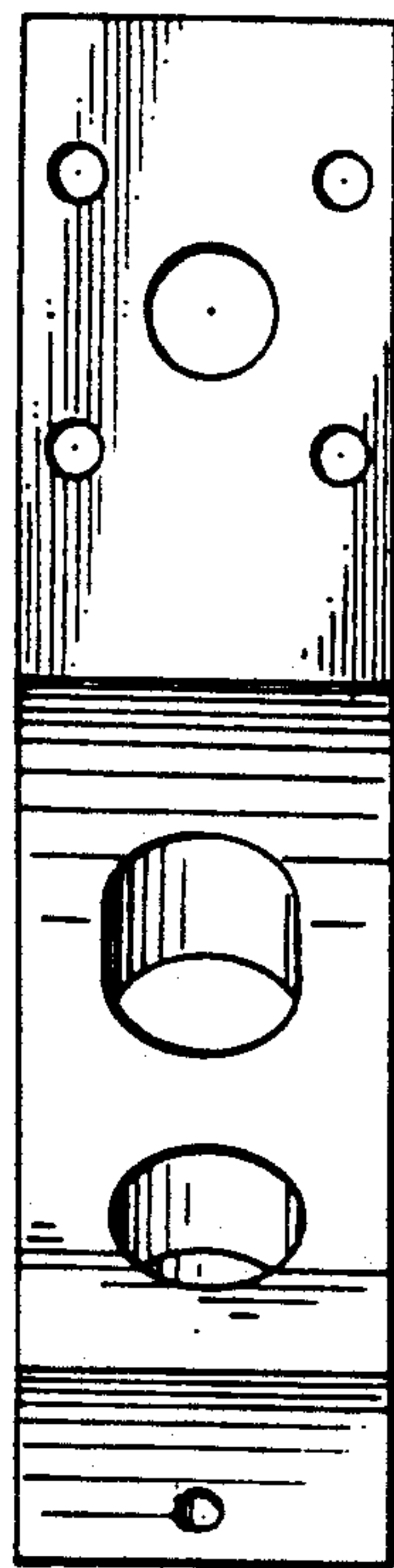
*FIG. 1*



*FIG. 2*



*FIG. 3*



*FIG. 4*

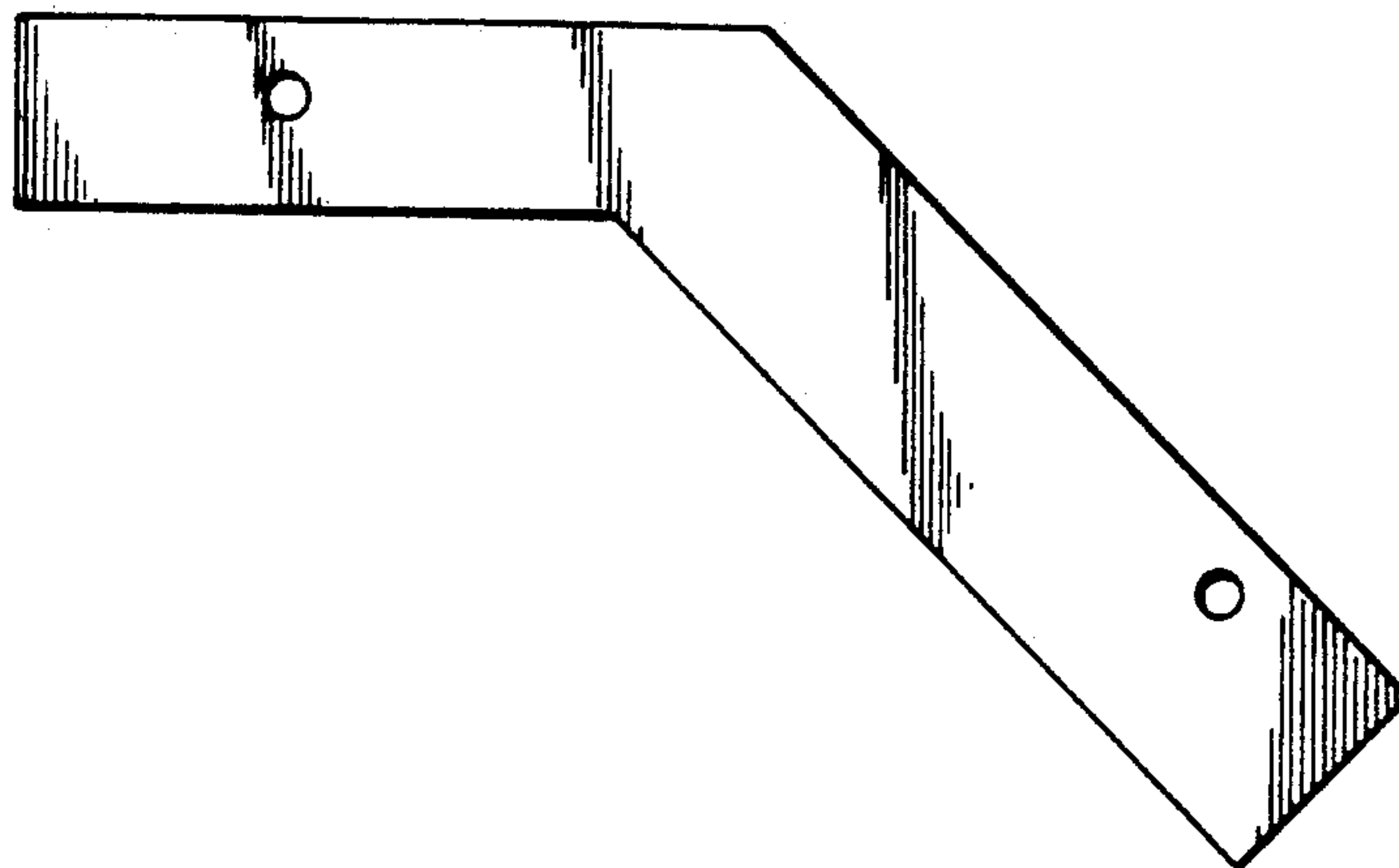


FIG. 5

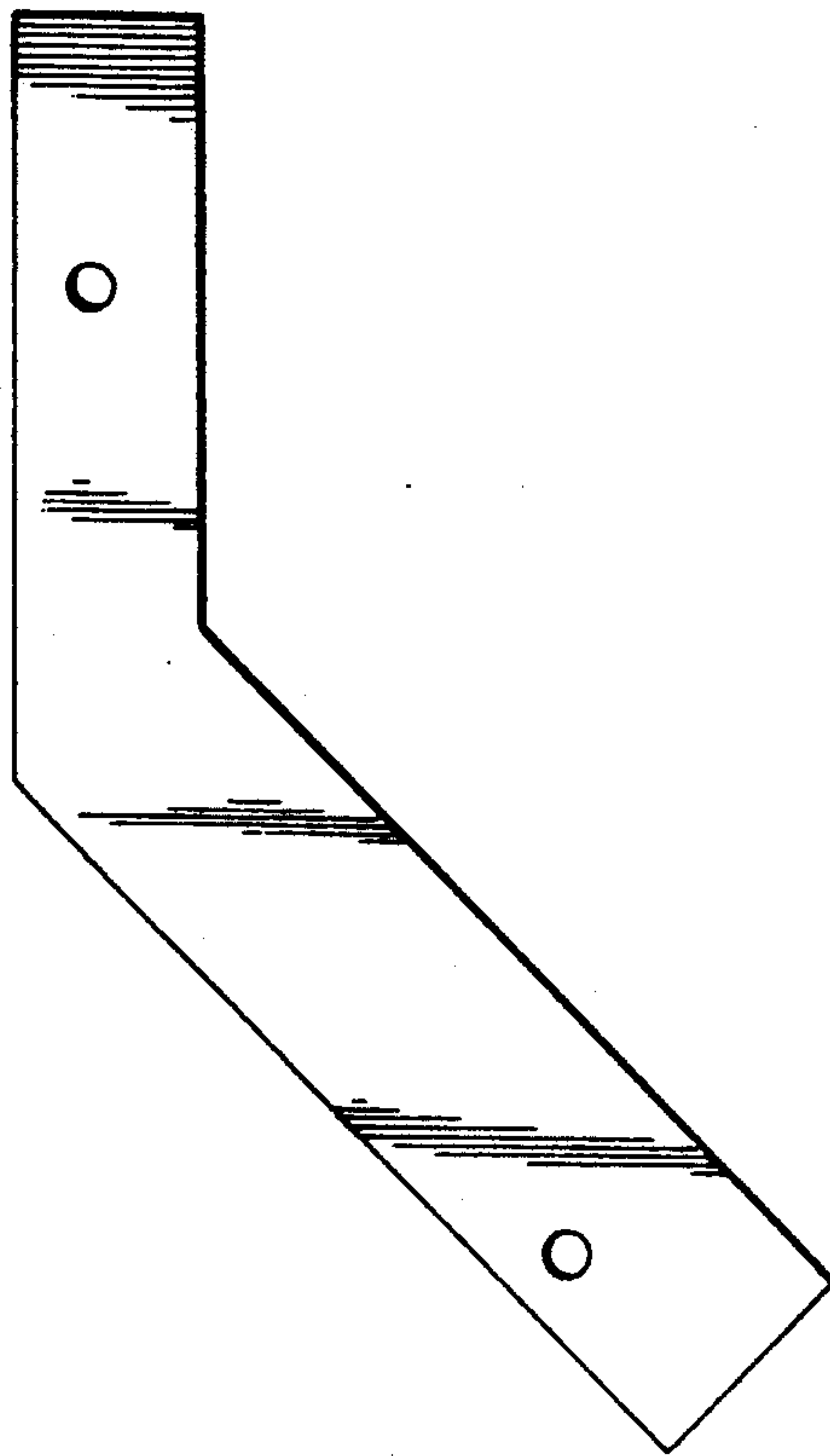


FIG. 6

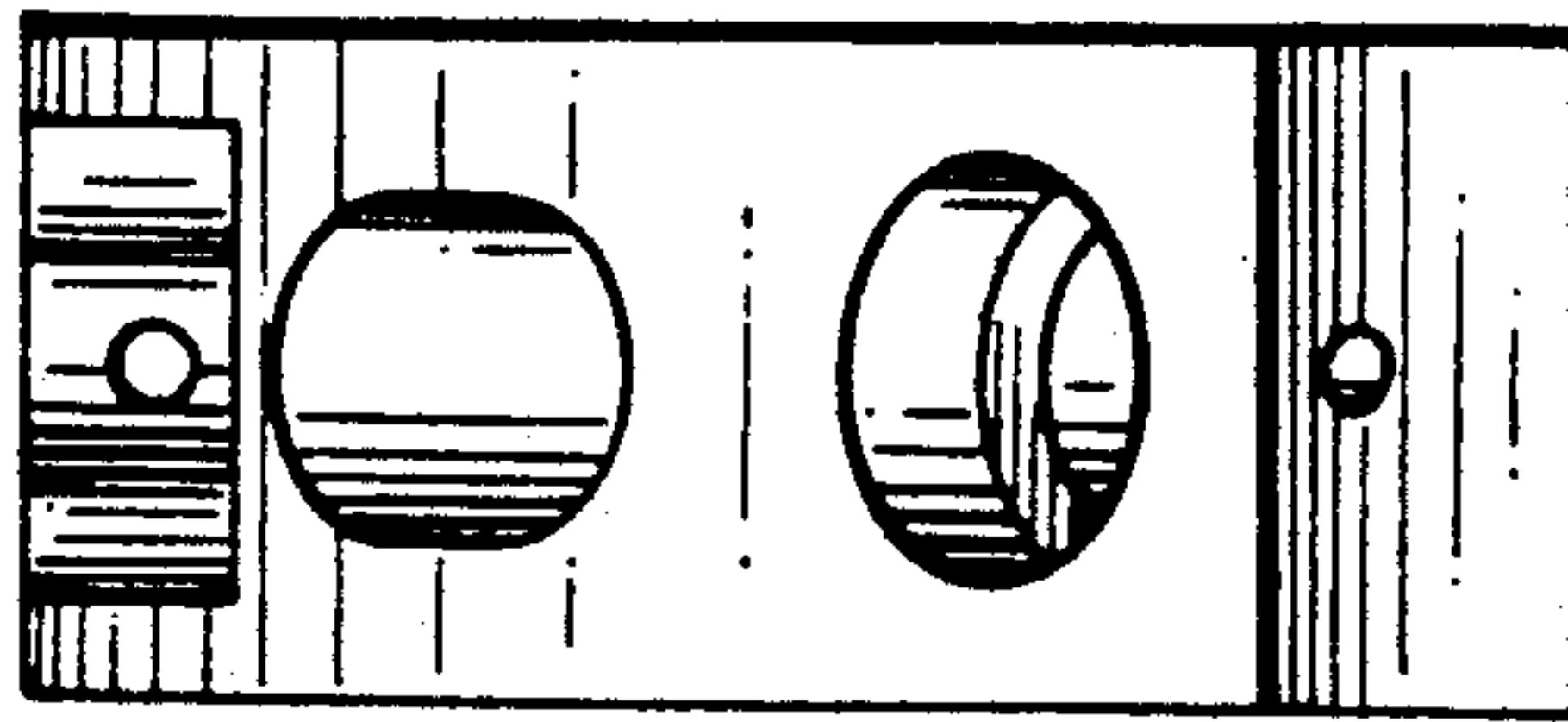


FIG. 7

