



US00D323832S

United States Patent [19]

[11] Patent Number: **Des. 323,832**

Eguchi et al.

[45] Date of Patent: **** Feb. 11, 1992**

[54] SEWING MACHINE

D. 294,708	3/1988	Amemiya	D15/69
D. 300,543	4/1989	Yoneda	D15/70
D. 314,390	2/1991	Kuroki	D15/68

[76] Inventors: **Yoshiaki Eguchi; Masatomo Amemiya**, both c/o Janome Sewing Machine Co., Ltd., No. 1-1, Kyobashi, 3-chome, Chuo-ku, Tokyo, Japan

Primary Examiner—B. J. Bullock
Assistant Examiner—Sandra Morris

[**] Term: **14 Years**

[57] **CLAIM**

The ornamental design for a sewing machine, as shown and described.

[21] Appl. No.: **457,540**

DESCRIPTION

[22] Filed: **Dec. 27, 1989**

[52] U.S. Cl. **D15/69**

[58] Field of Search **D15/66-76;**
112/199, 217.1-217.4, 258-261, 262.1

FIG. 1 is a perspective view of a sewing machine, showing our new design;
FIG. 2 is an enlarged front elevational view thereof;
FIG. 3 is an enlarged rear elevational view thereof;
FIG. 4 is an enlarged top plan view thereof;
FIG. 5 is an enlarged bottom plan view thereof;
FIG. 6 is an enlarged left side elevational view thereof;
and
FIG. 7 is an enlarged right side elevational view thereof.

[56] **References Cited**

U.S. PATENT DOCUMENTS

D. 247,496	3/1978	Genaro et al.	D15/68
D. 280,730	9/1985	Uchida	D15/69
D. 288,690	3/1987	Uchida et al.	D15/70

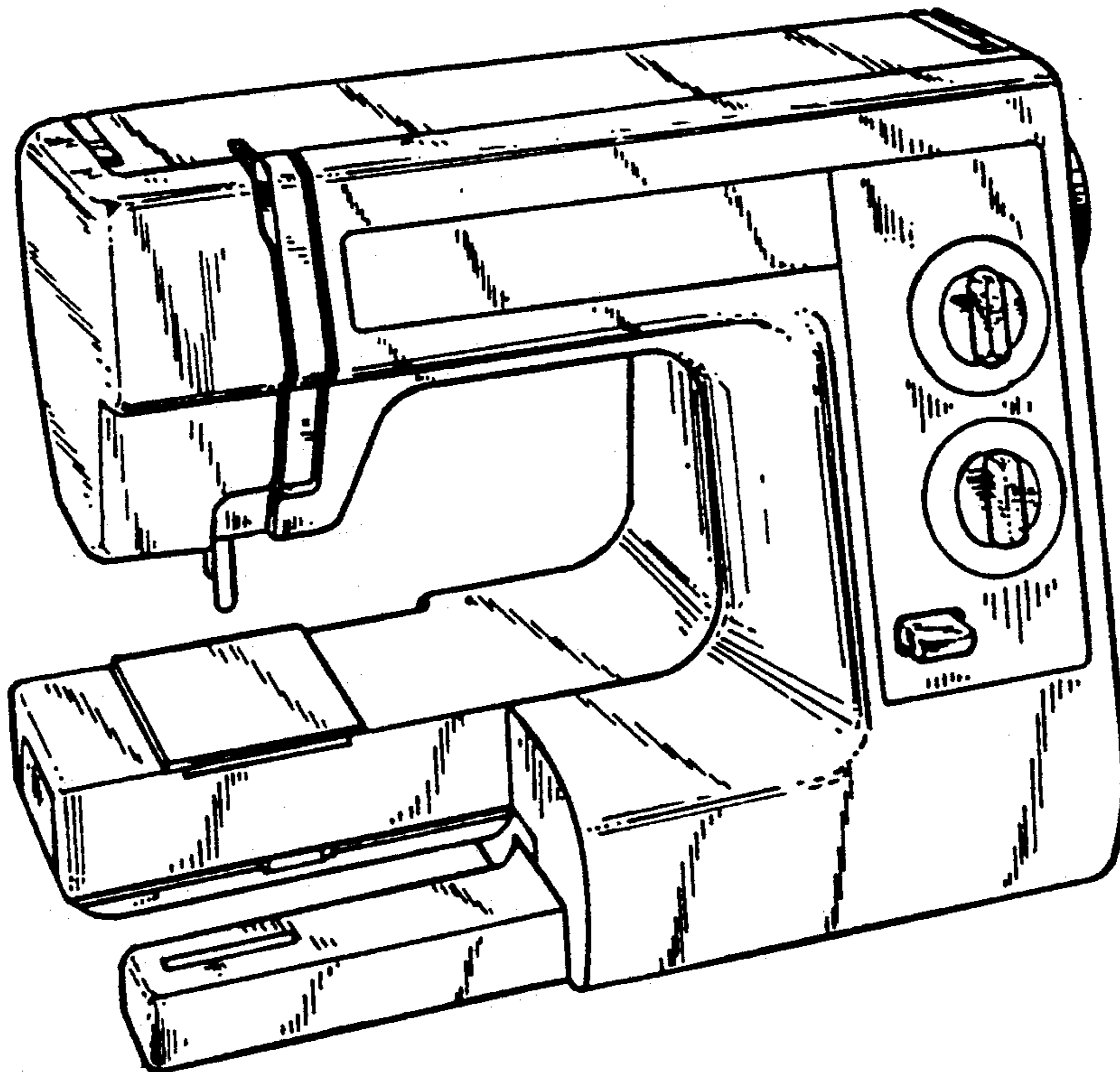


FIG. 1

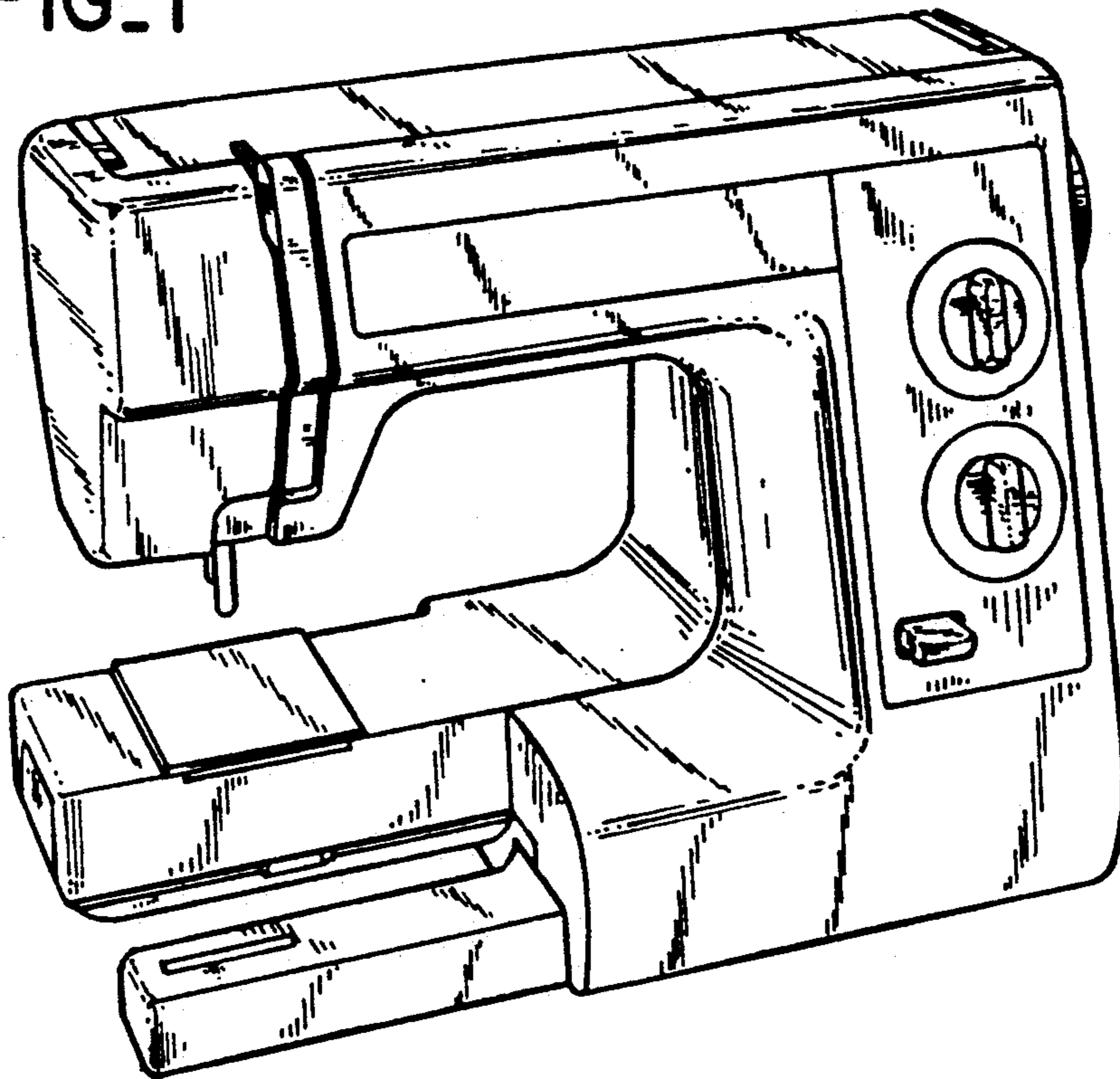


FIG. 6

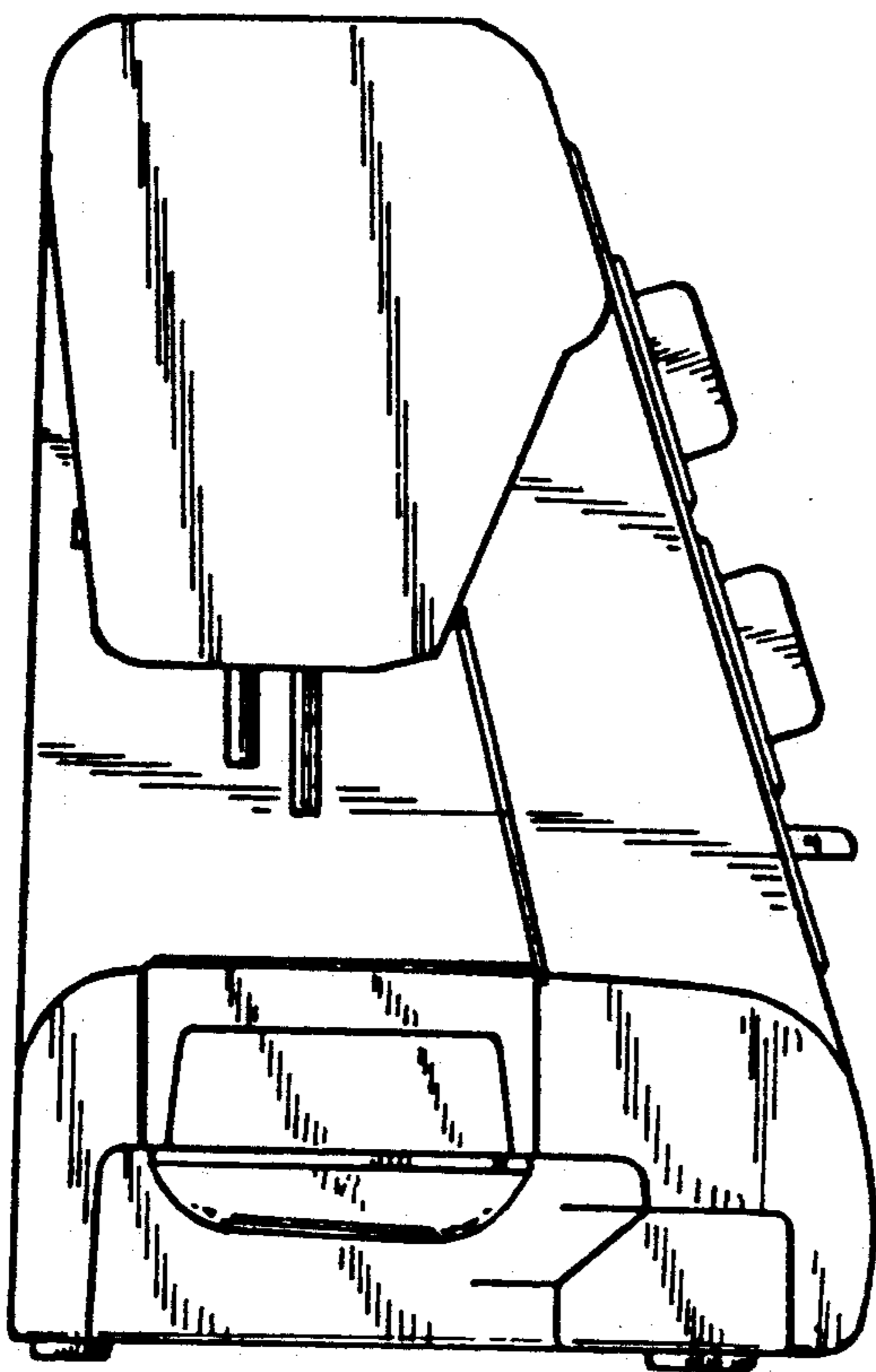


FIG. 7

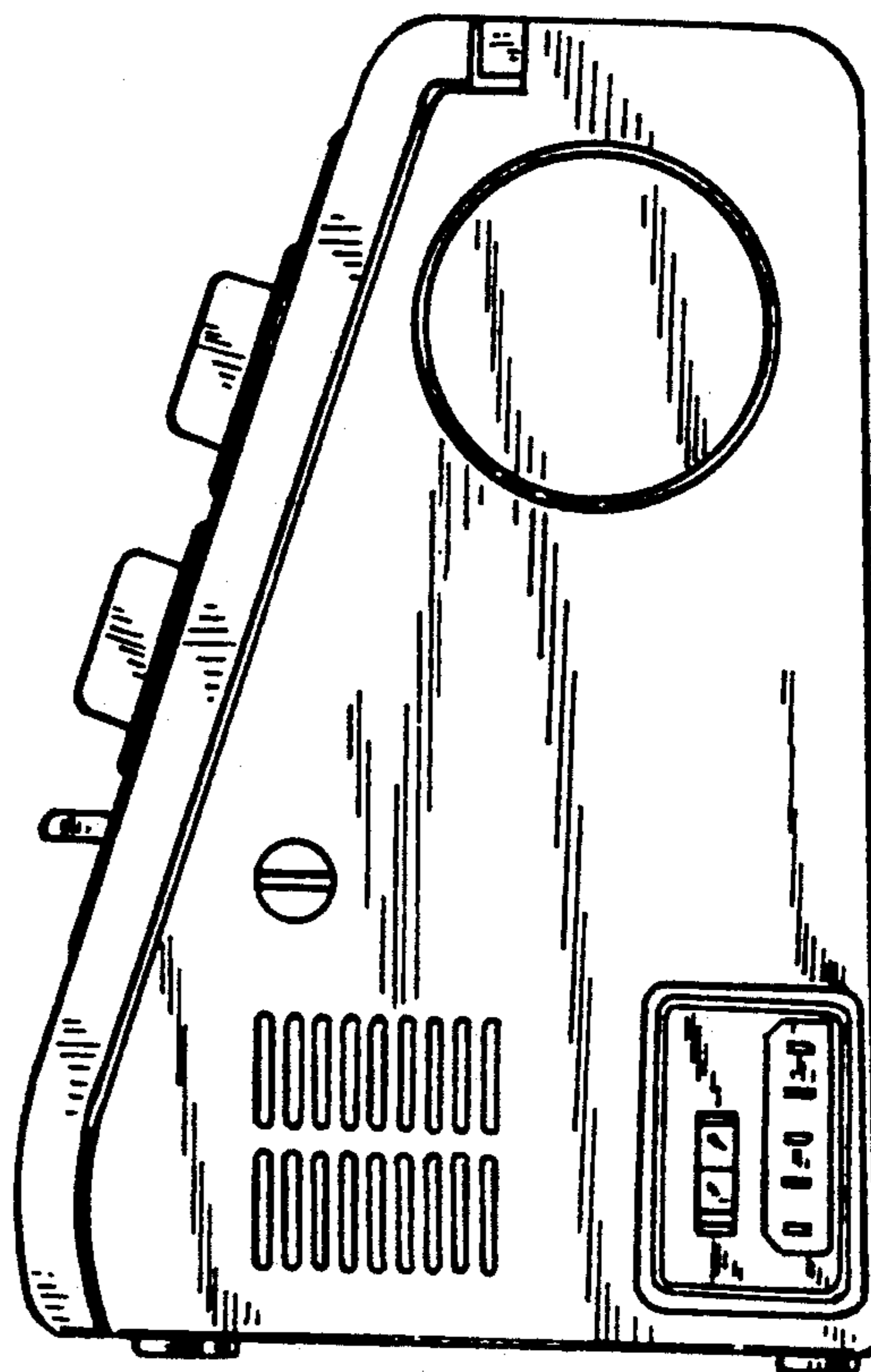


FIG. 2

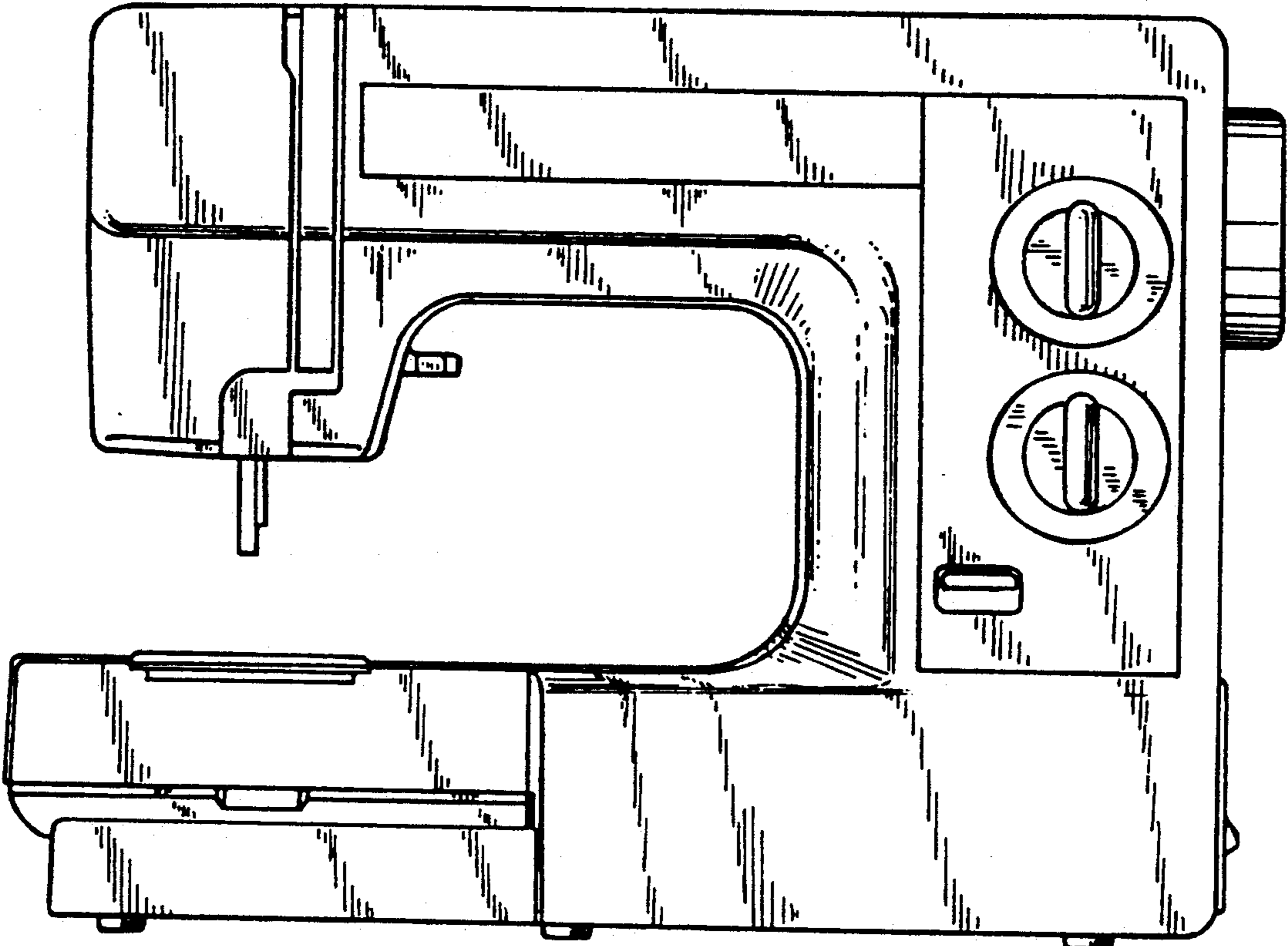


FIG. 4

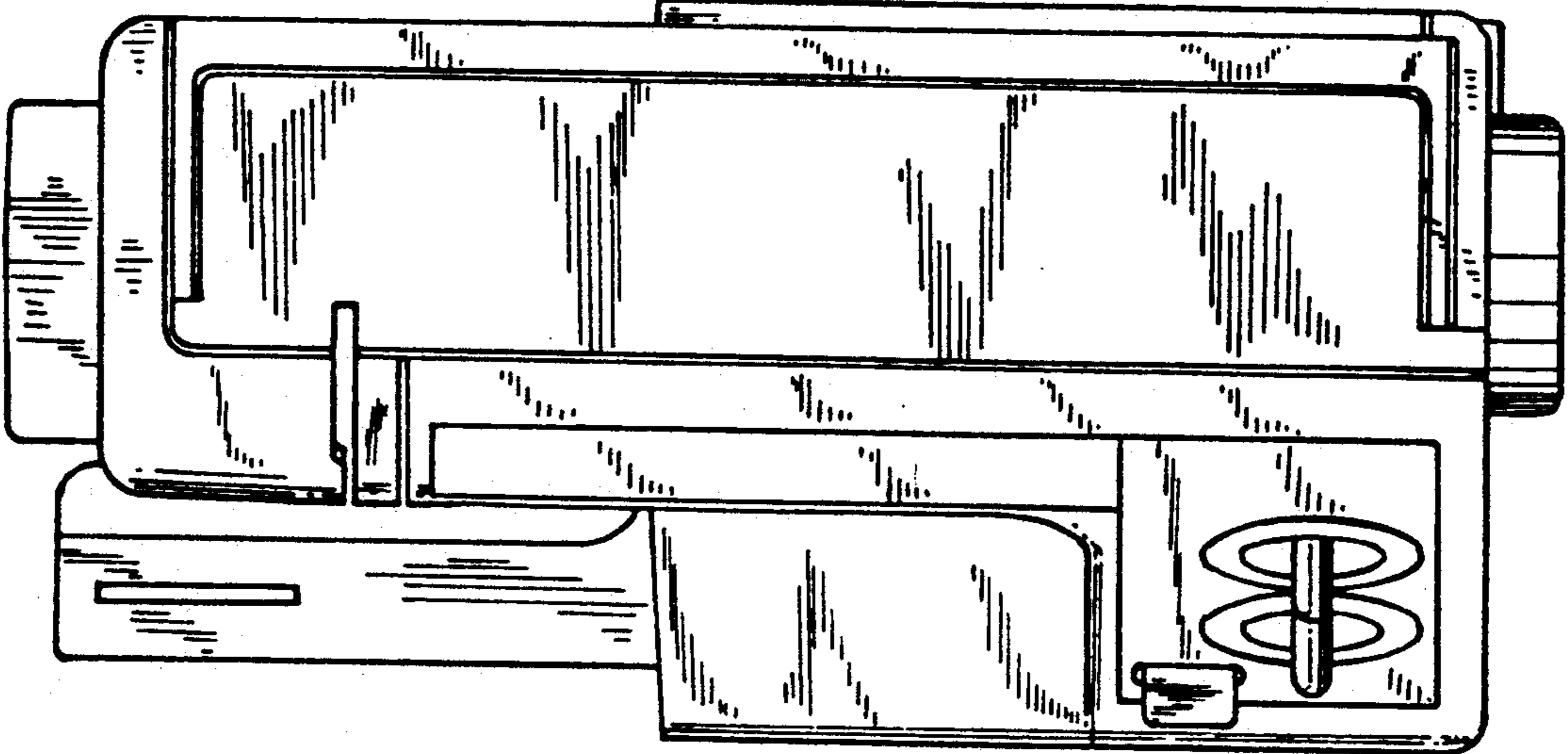


FIG. 3

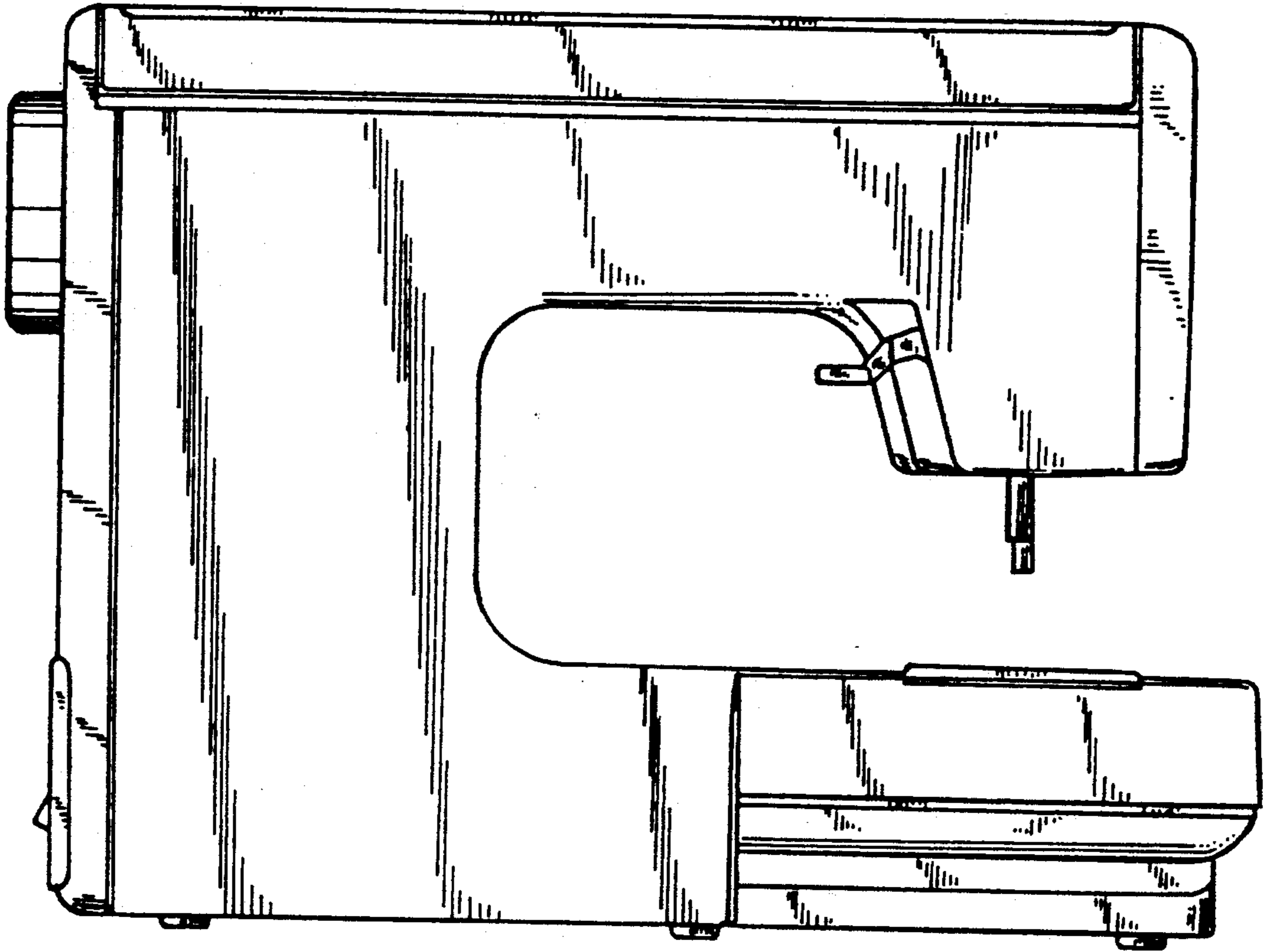


FIG. 5

