



US00D323831S

United States Patent [19]

[11] Patent Number: **Des. 323,831**

Hollis

[45] Date of Patent: **** Feb. 11, 1992**

[54] **NUT HARVESTER**

[76] Inventor: **Paul S. Hollis, Rte. 6, Box 138,
Ozark, Ala. 36360**

[**] Term: **14 Years**

[21] Appl. No.: **584,332**

[22] Filed: **Sep. 18, 1990**

[52] U.S. Cl. **D15/10**

[58] Field of Search **D15/10-11;
56/327.1, 328.1; 294/19.2**

3,902,749	9/1975	Falitz	294/19.2
4,291,525	9/1981	Benkert	56/327.1
4,593,519	6/1986	Kimball	56/328.1
5,025,620	6/1991	Dudley	56/328.1

Primary Examiner—Bernard Ansher
Assistant Examiner—Sandra Morris
Attorney, Agent, or Firm—Hopkins, Thomas & Kerr

[57] **CLAIM**

The ornamental design entitled nut harvester, as shown and described.

[56] **References Cited**

U.S. PATENT DOCUMENTS

1,644,366	10/1927	Brown .	
2,972,851	2/1961	Goehring .	
3,215,293	11/1965	Kelly et al. .	
3,227,298	1/1966	Shoemaker .	
3,435,601	4/1969	Smith et al.	56/327.1
3,604,190	9/1971	Wray .	
3,804,449	4/1974	Falitz .	

DESCRIPTION

FIG. 1 is a perspective view of a nut harvester, showing my new design;
FIG. 2 is a left side elevational view thereof;
FIG. 3 is a right side elevational view thereof;
FIG. 4 is a front elevational view thereof;
FIG. 5 is a back elevational view thereof;
FIG. 6 is a top plan view thereof; and
FIG. 7 is a bottom plan view thereof.

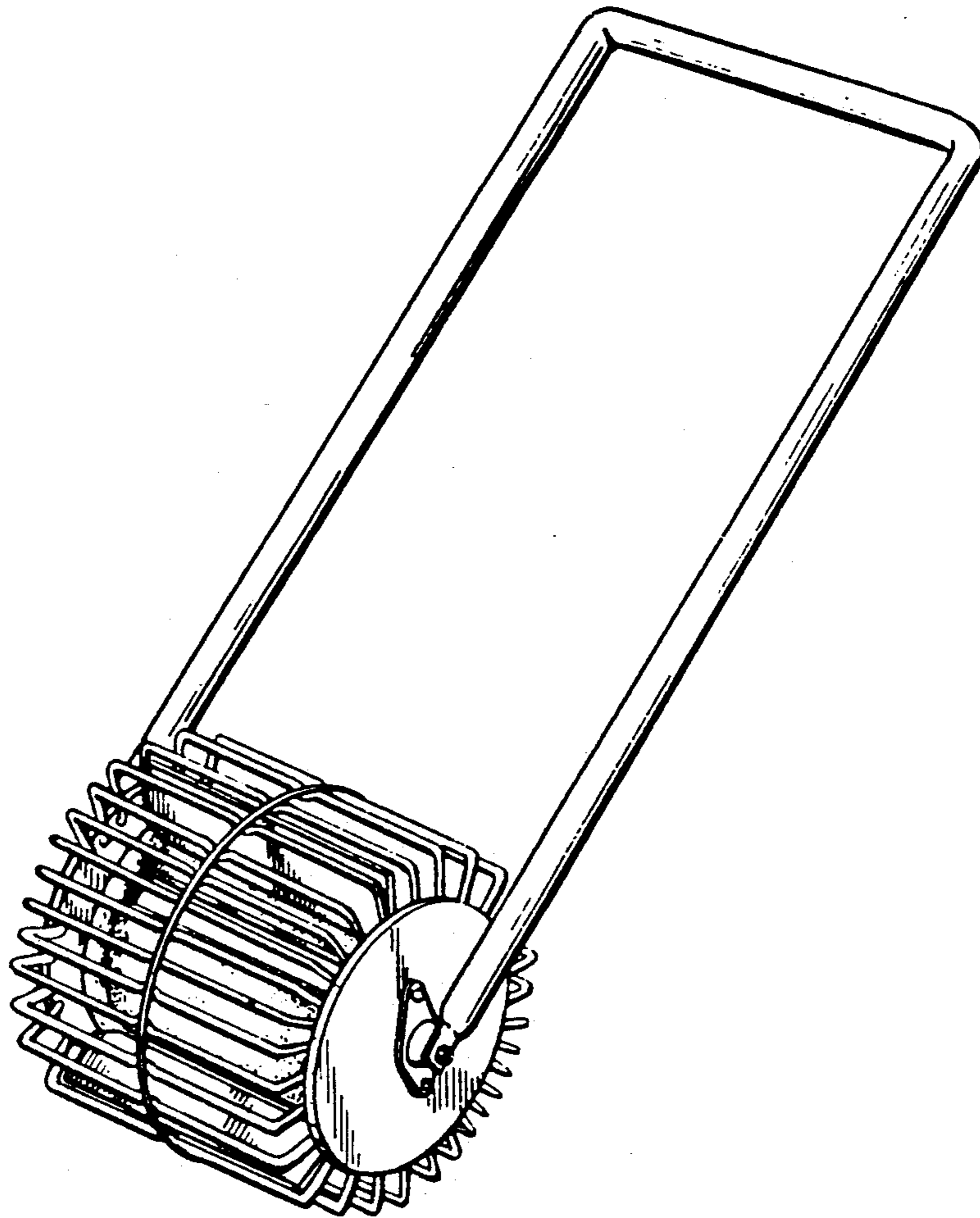


FIG 1

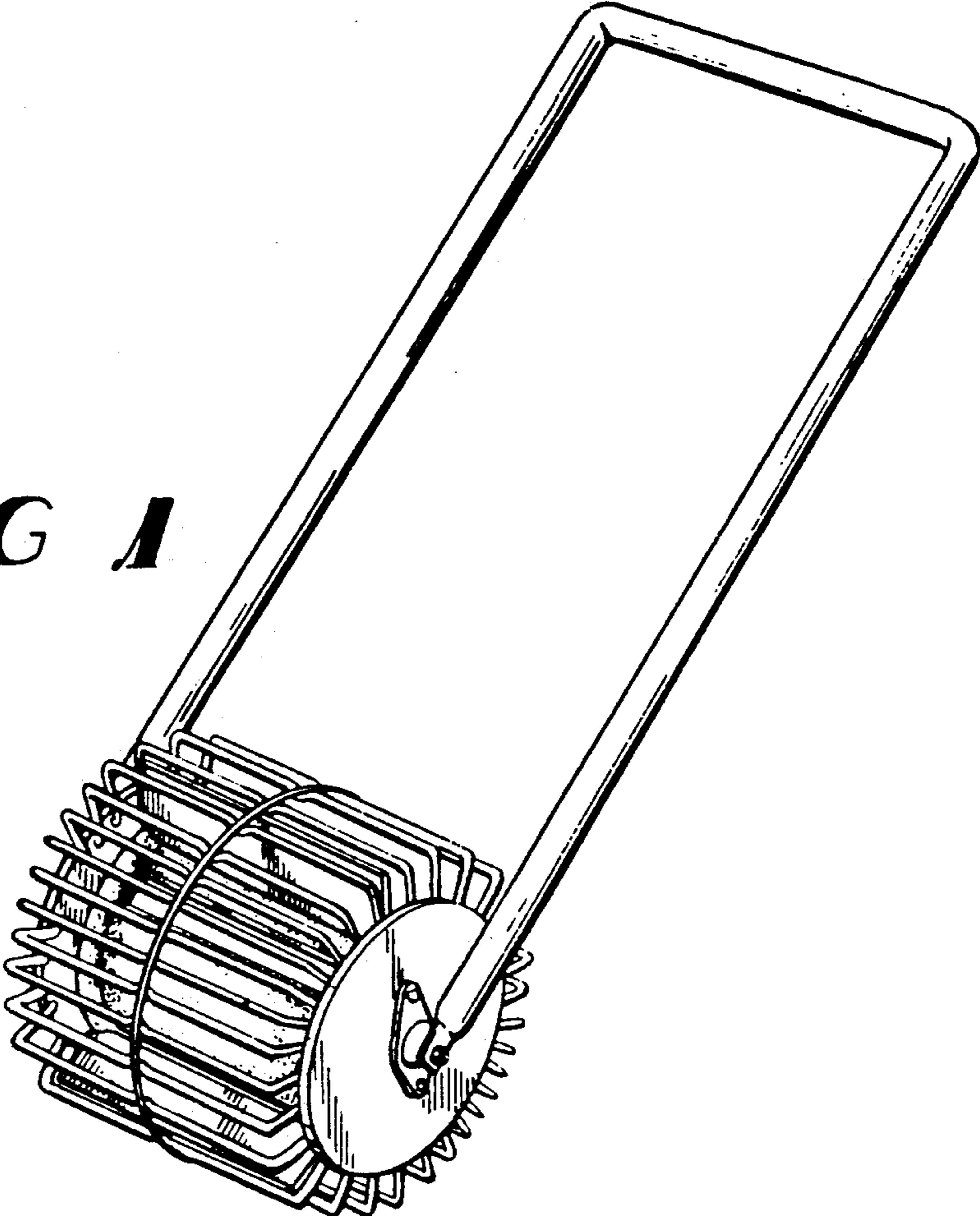
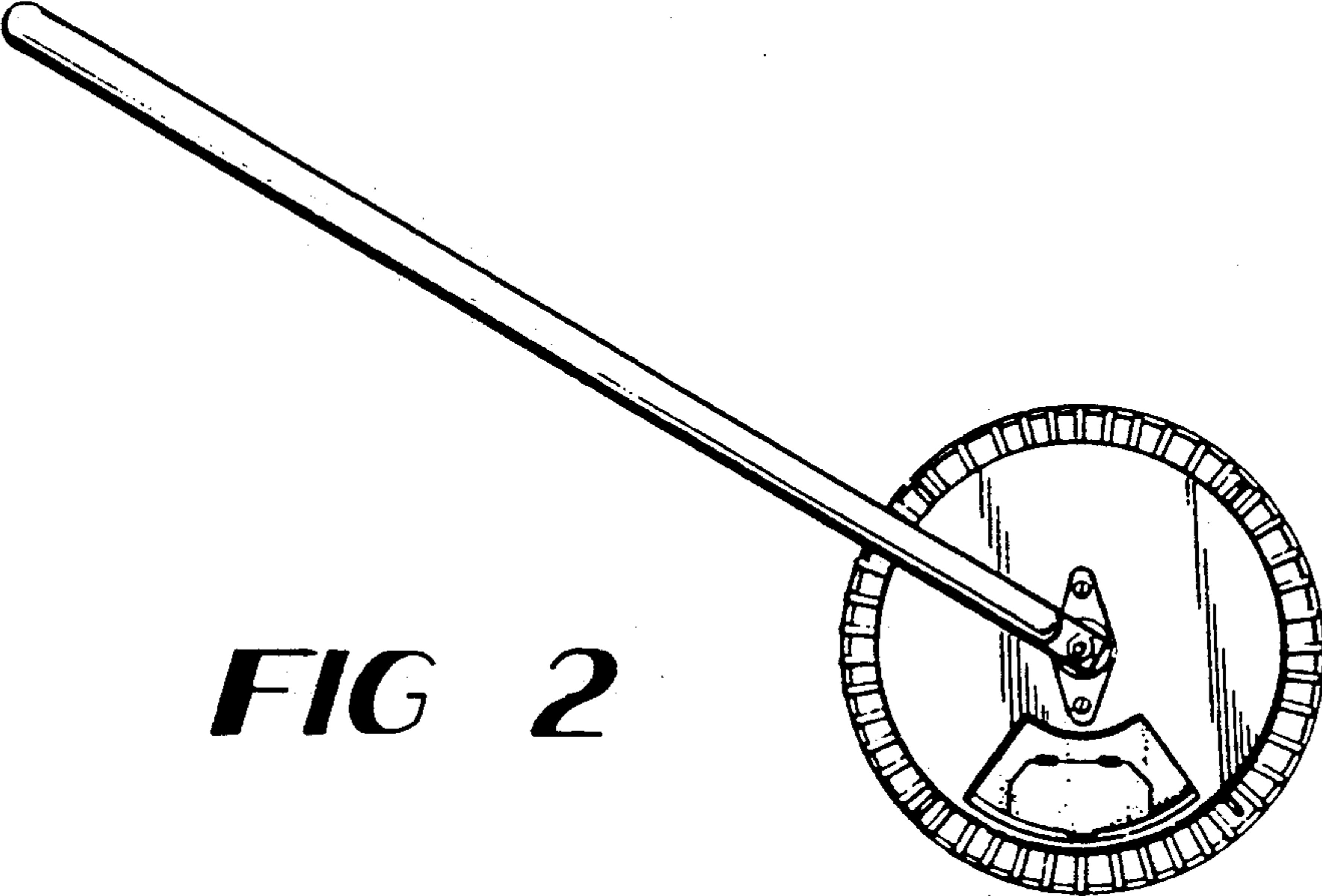


FIG 2



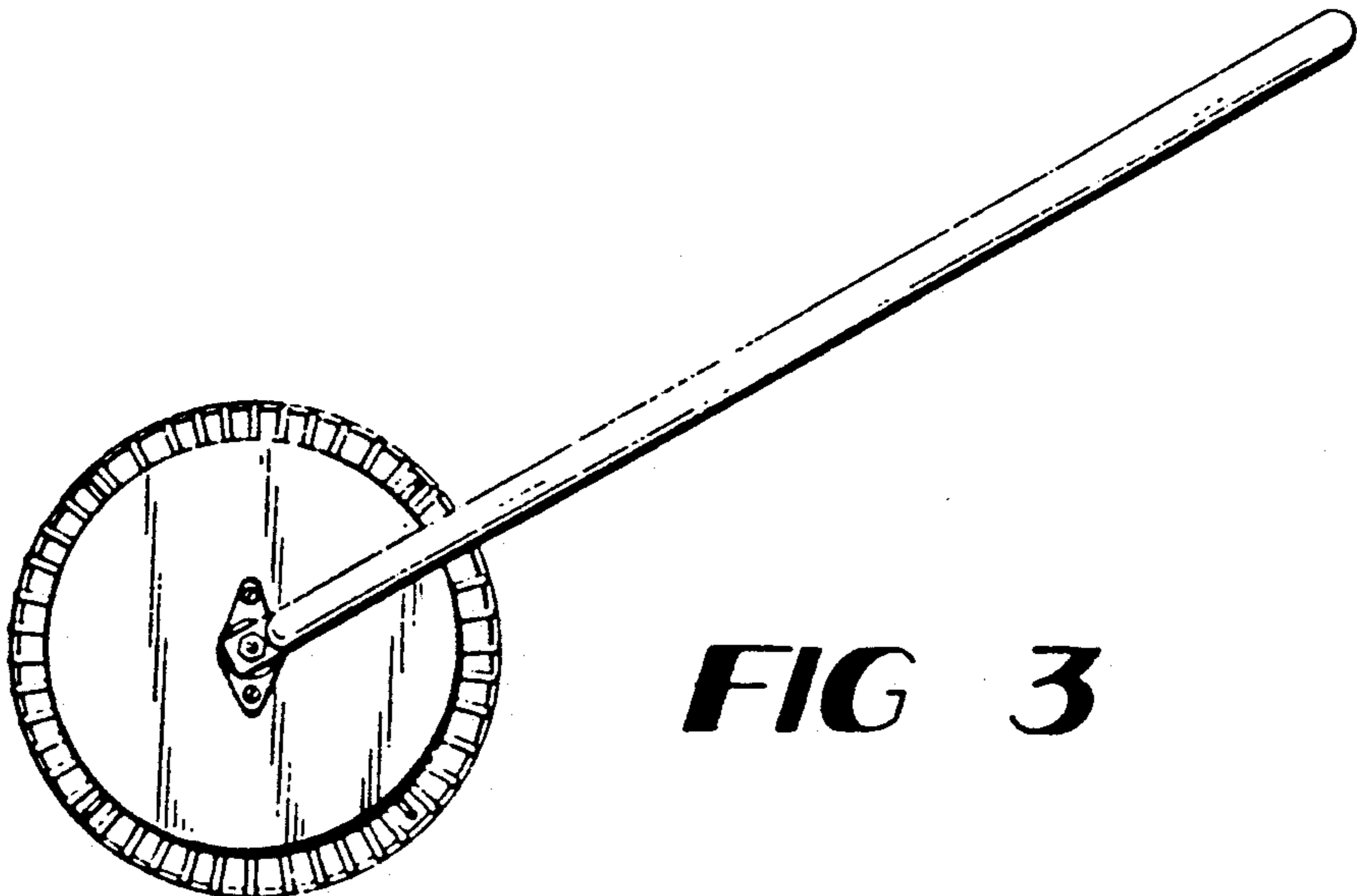


FIG 3

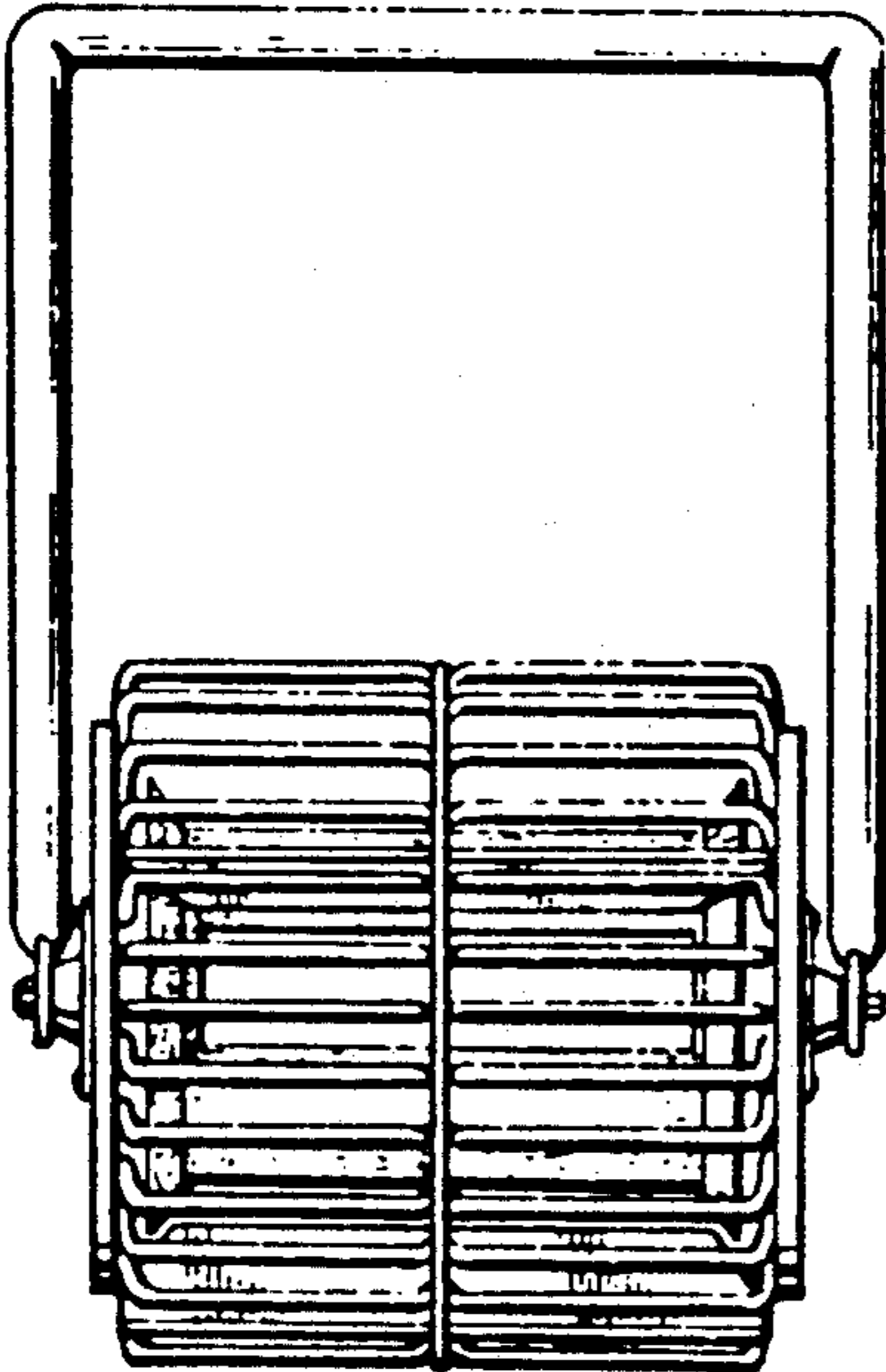


FIG 4

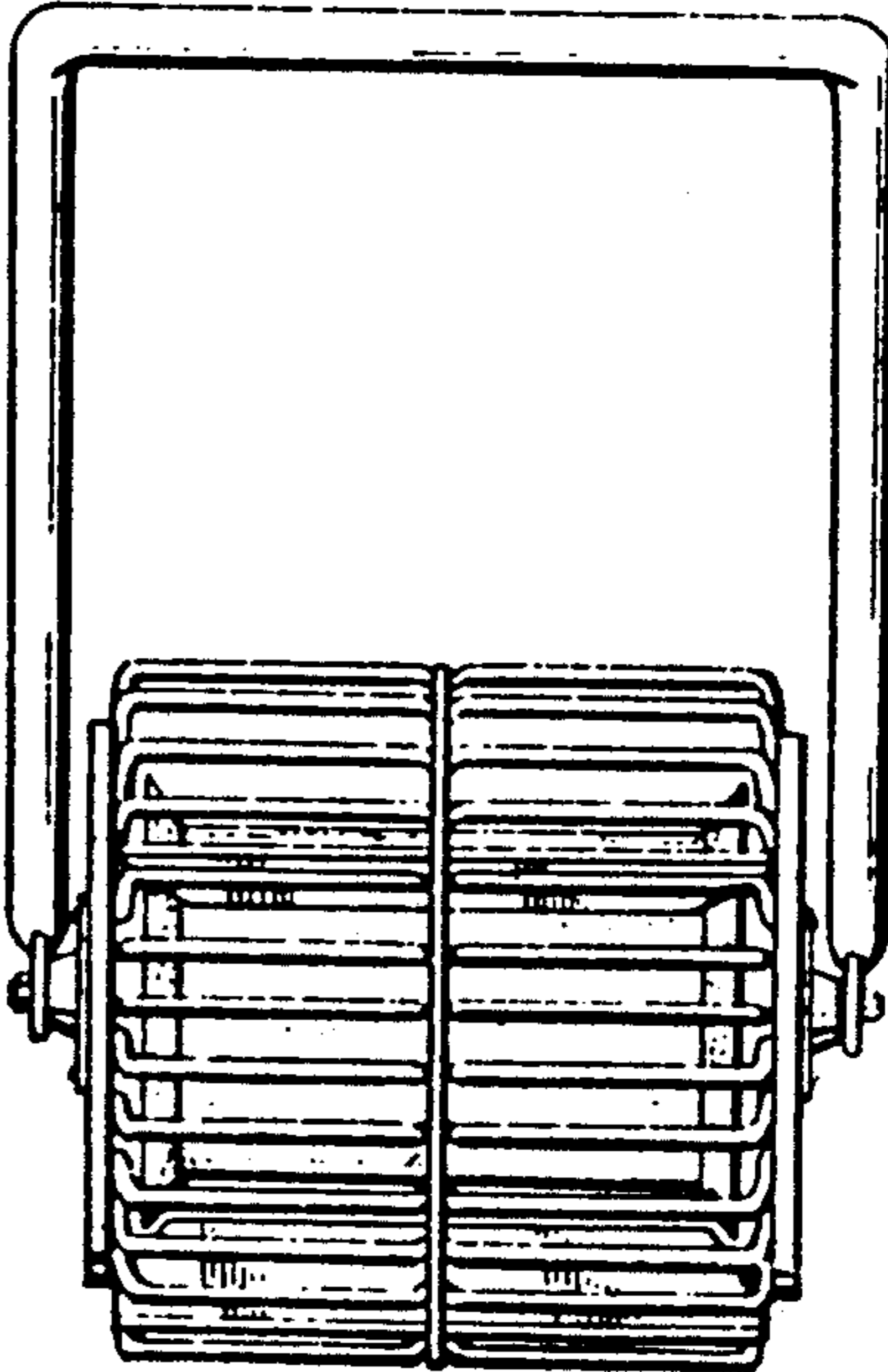


FIG 5

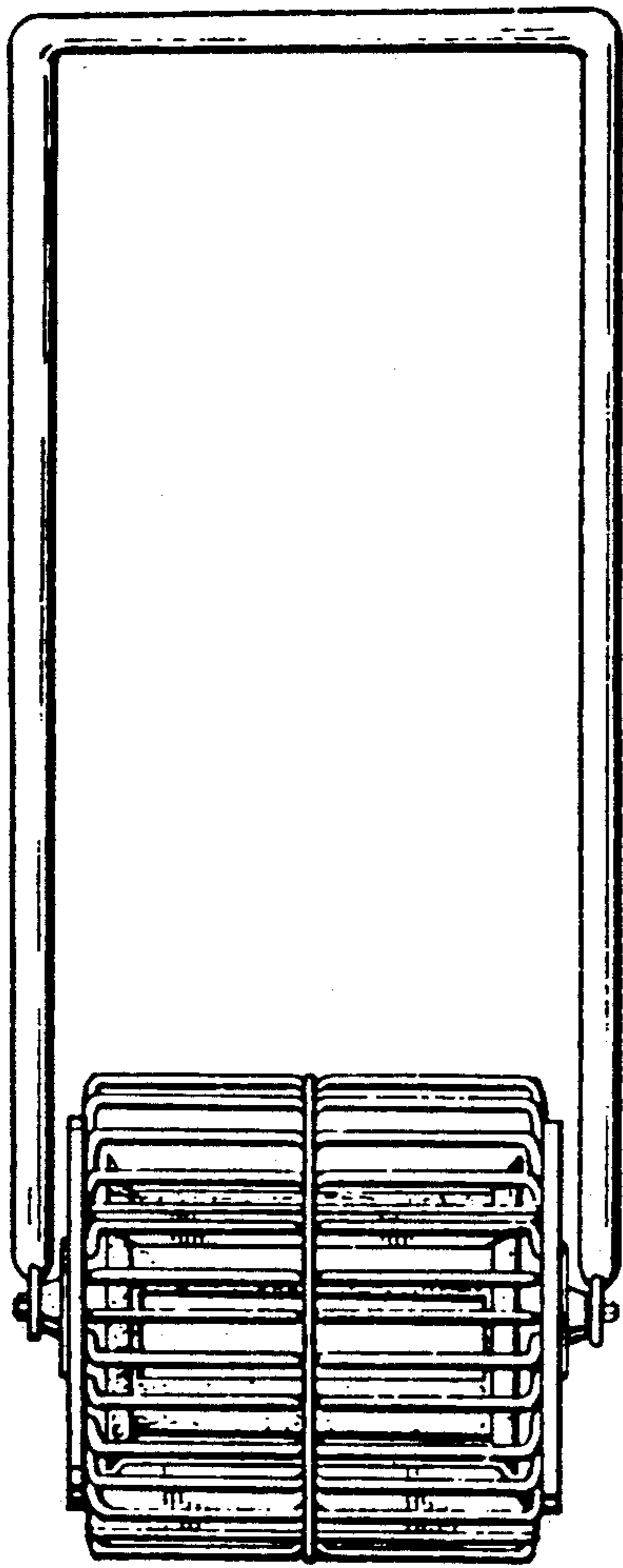


FIG 6

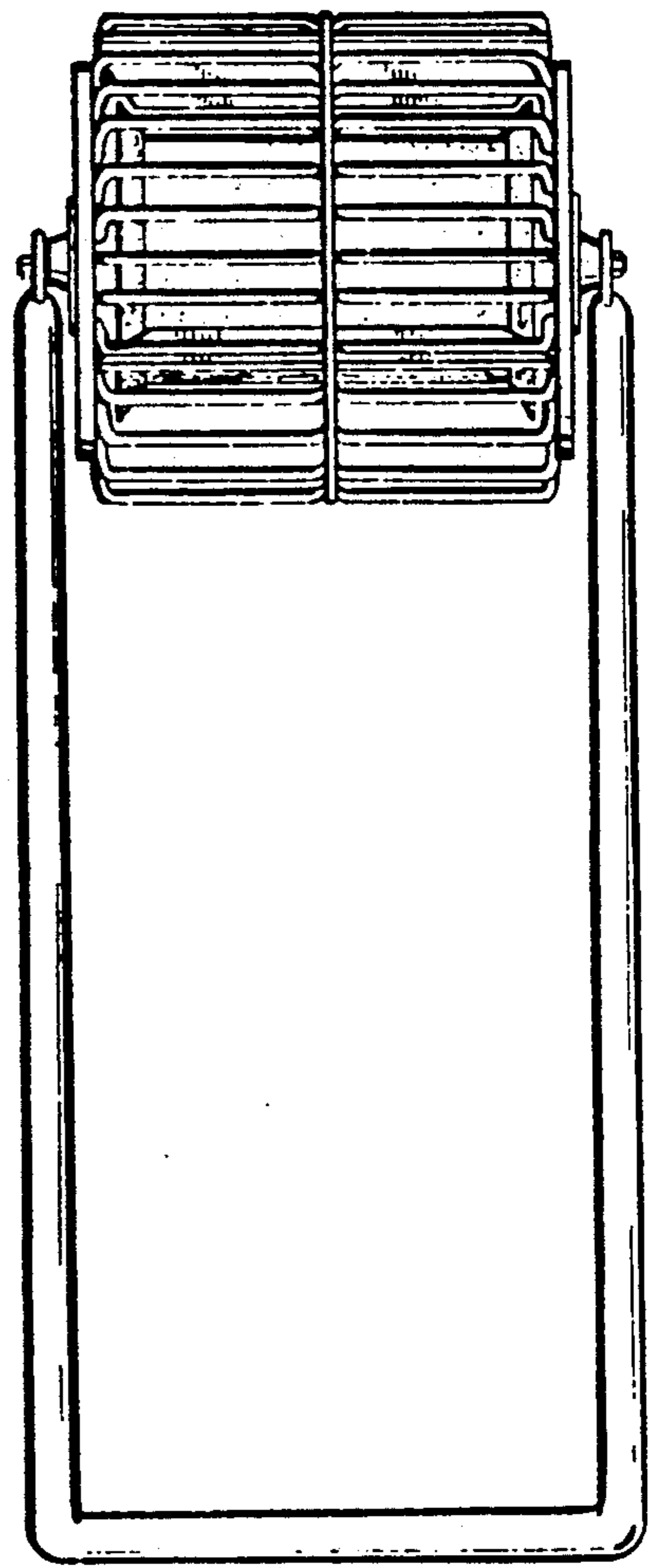


FIG 7