



US00D323824S

United States Patent [19]

Kawanabe et al.

[11] Patent Number: **Des. 323,824**

[45] Date of Patent: **** Feb. 11, 1992**

[54] **TELEVISION RECEIVER**

D. 317,603 6/1991 Kawanabe D14/133

[75] Inventors: **Masahiro Kawanabe**, Tokyo;
Michihiro Nakahara, Koshigaya,
both of Japan

FOREIGN PATENT DOCUMENTS

719369 11/1987 Japan .
77891 3/1988 Rep. of Korea .

[73] Assignee: **Kabushiki Kaisha Toshiba**, Kawasaki,
Japan

Primary Examiner—Theodore M. Shooman
Attorney, Agent, or Firm—Oblon, Spivak, McClelland,
Maier & Neustadt

[**] Term: **14 Years**

[21] Appl. No.: **510,818**

[57] **CLAIM**

The ornamental design for a television receiver, as shown.

[22] Filed: **Apr. 18, 1990**

[30] **Foreign Application Priority Data**

Oct. 25, 1989 [JP] Japan 1-38723
[52] U.S. Cl. **D14/126**
[58] Field of Search **D14/124-135,**
D14/113; 358/236-239, 254-255; 312/7.2

DESCRIPTION

FIG. 1 is a top, front and right side perspective view of television receiver showing our new design;
FIG. 2 is a front elevational view thereof;
FIG. 3 is a right side elevational view thereof;
FIG. 4 is a top plan view thereof;
FIG. 5 is a rear elevational view thereof;
FIG. 6 is a left side elevational view thereof;
FIG. 7 is a bottom plan view thereof; and
FIG. 8 is an enlarged fragmentary view of a front elevational view thereof.

[56] **References Cited**

U.S. PATENT DOCUMENTS

D. 308,375 6/1990 Saito et al. D14/126
D. 308,376 6/1990 Sakamoto et al. D14/126
D. 311,183 10/1990 Fujii et al. D14/126

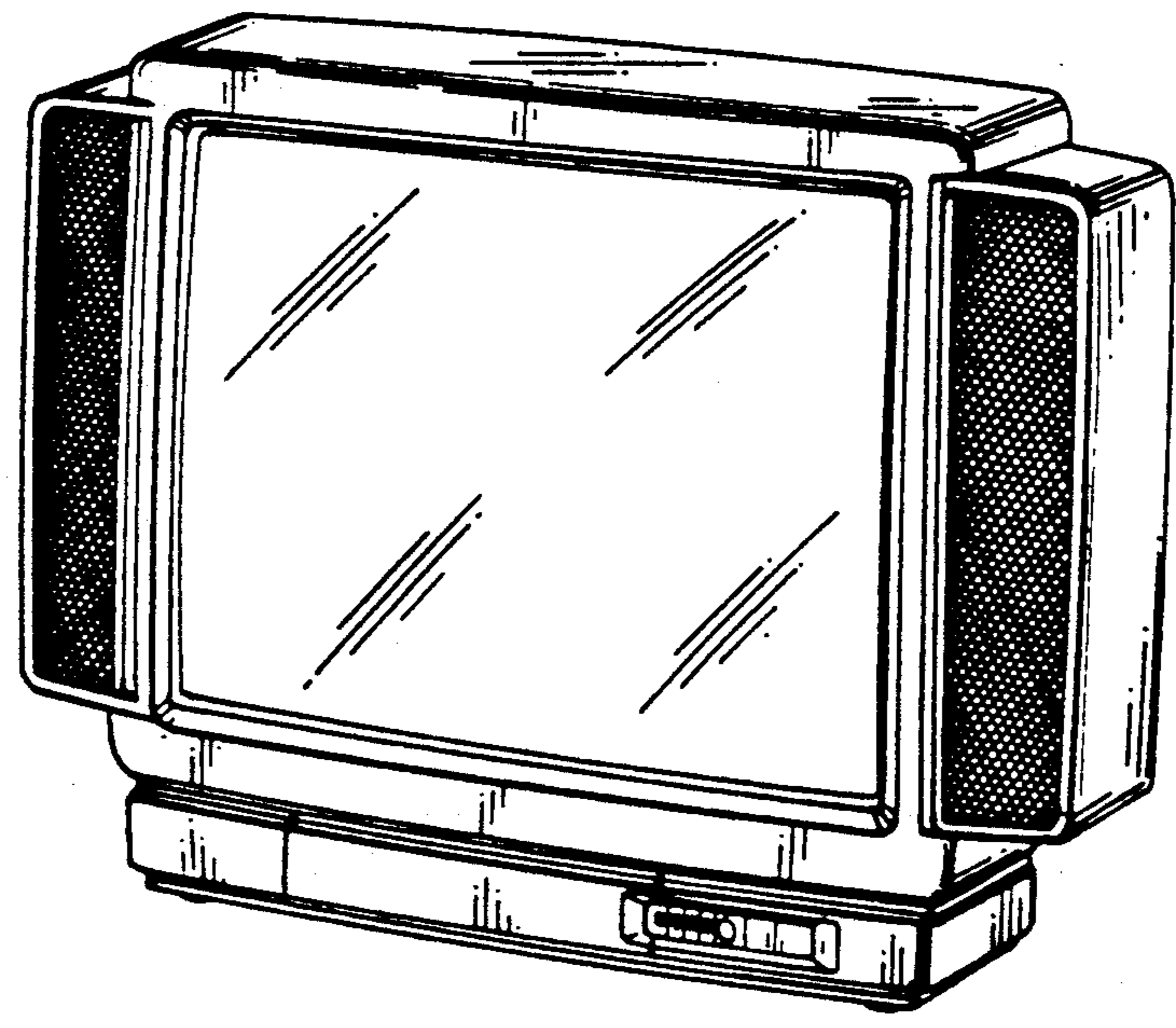


FIG. 1

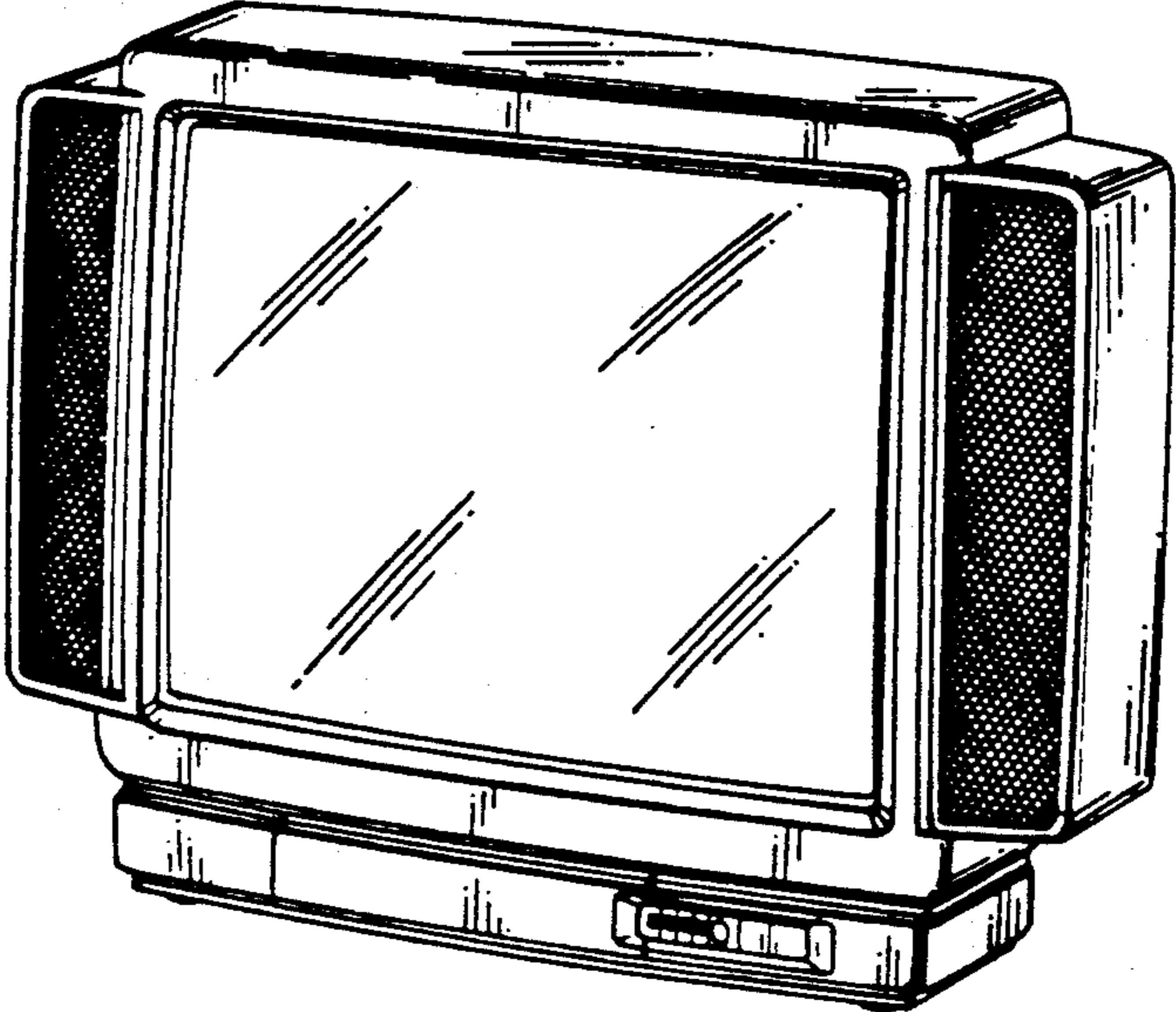


FIG. 2

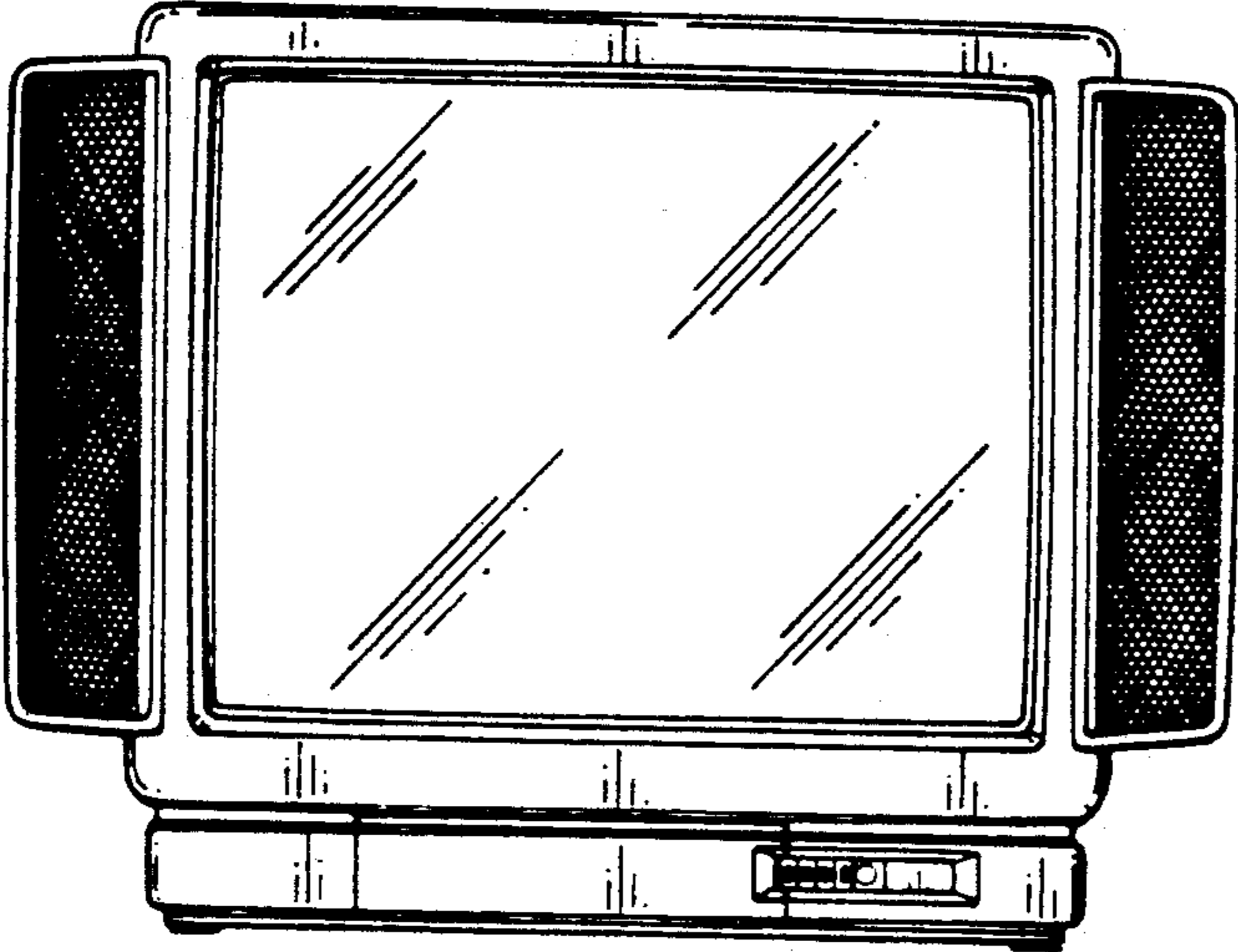


FIG. 3

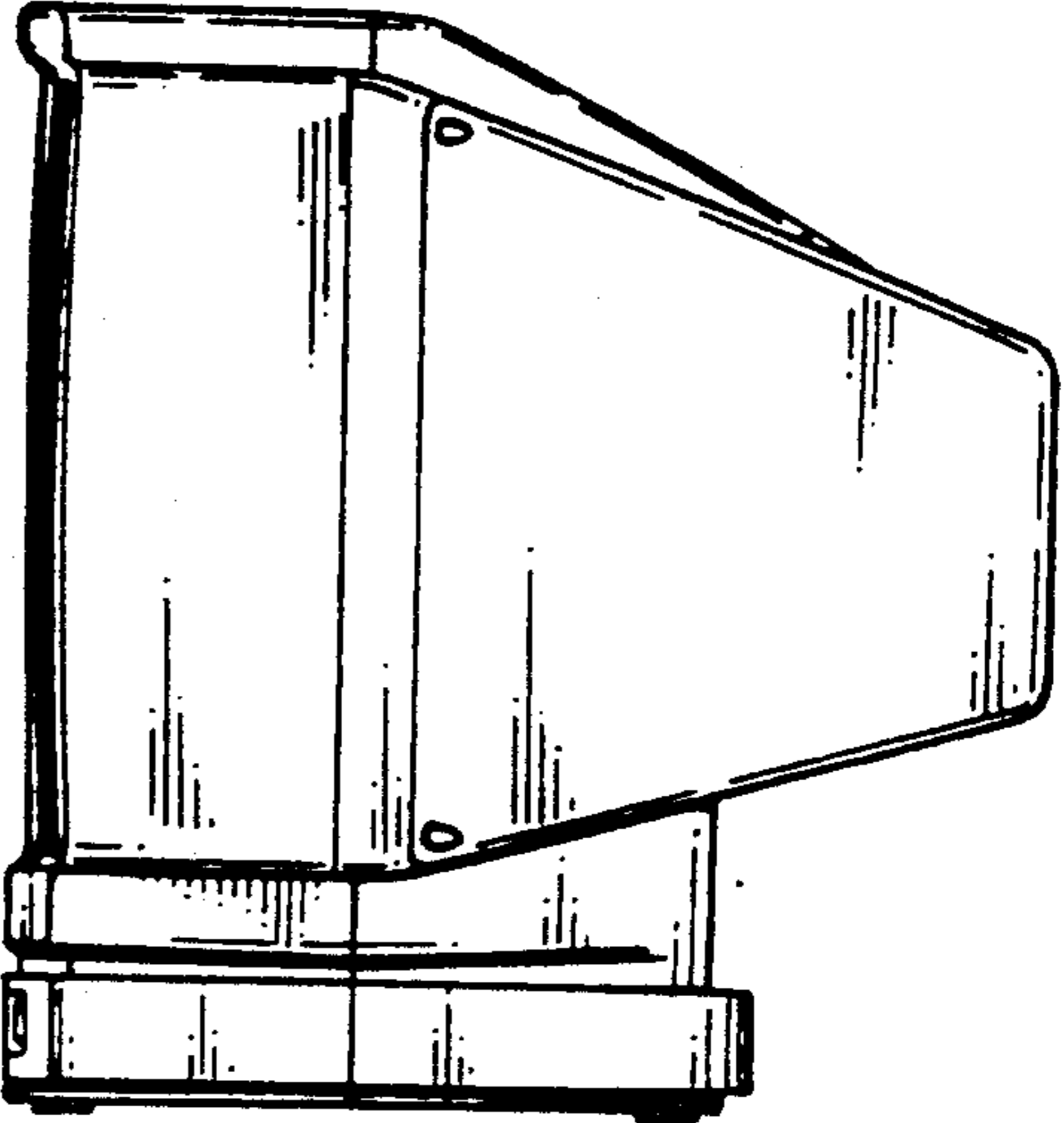


FIG. 4

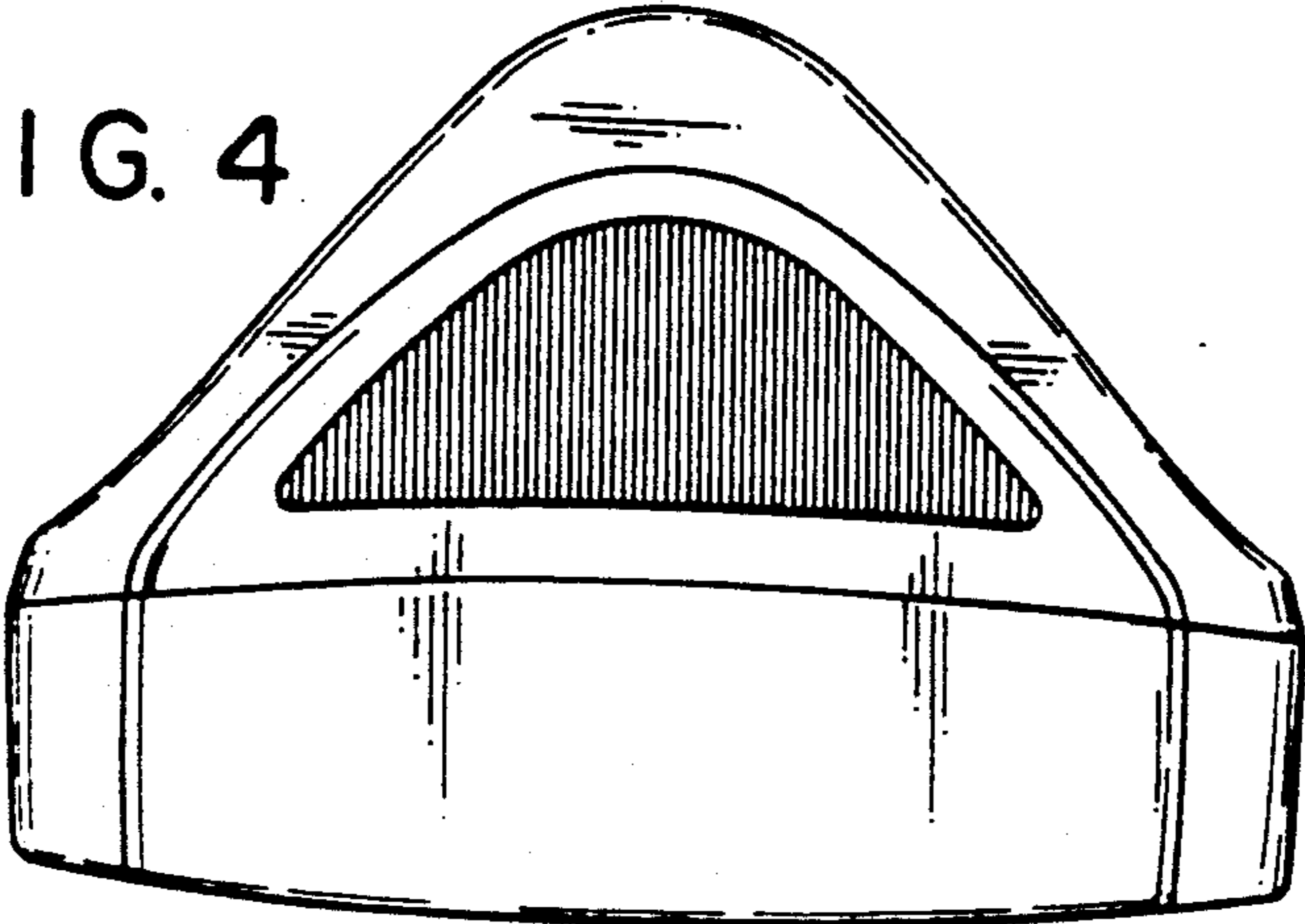


FIG. 5

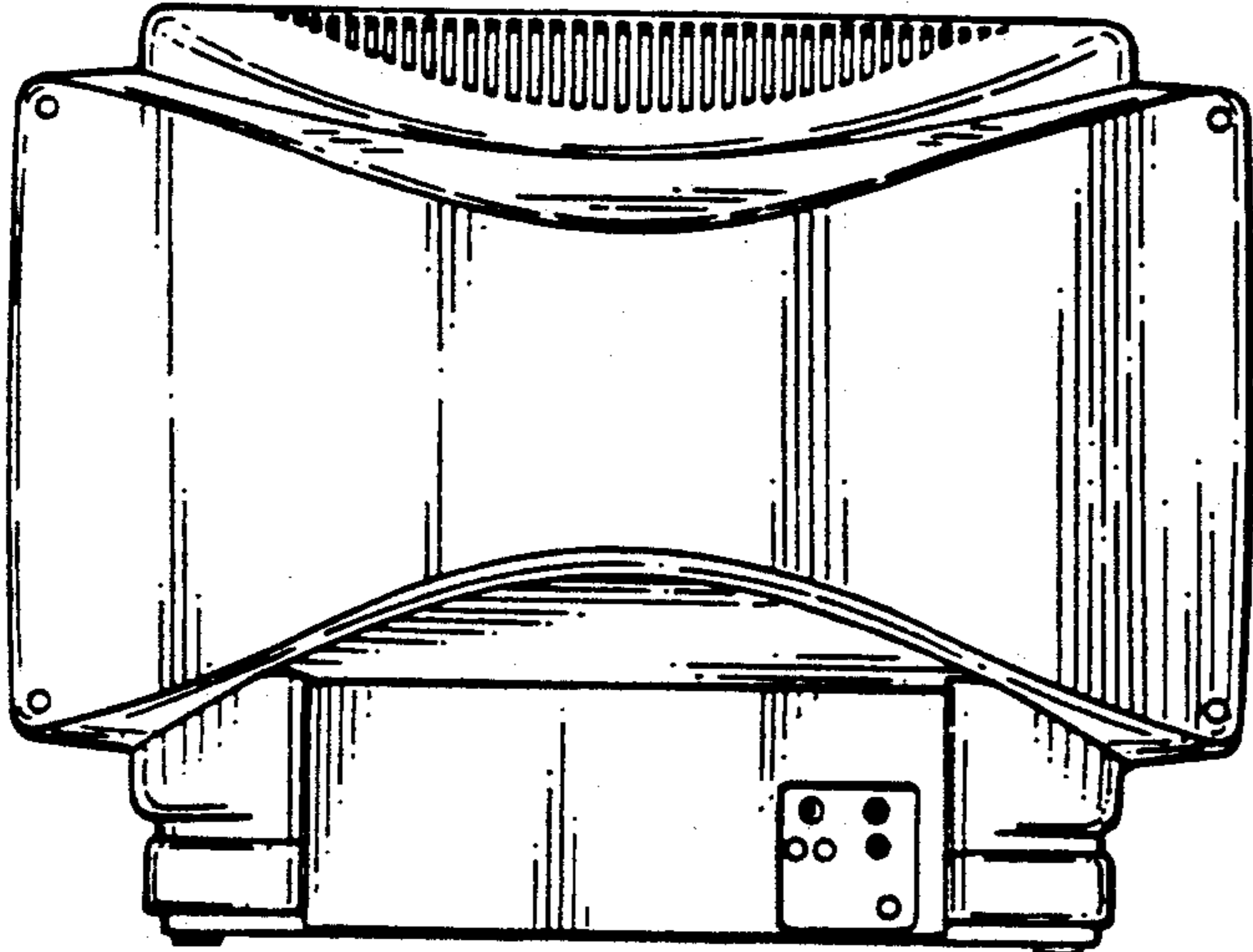


FIG. 6

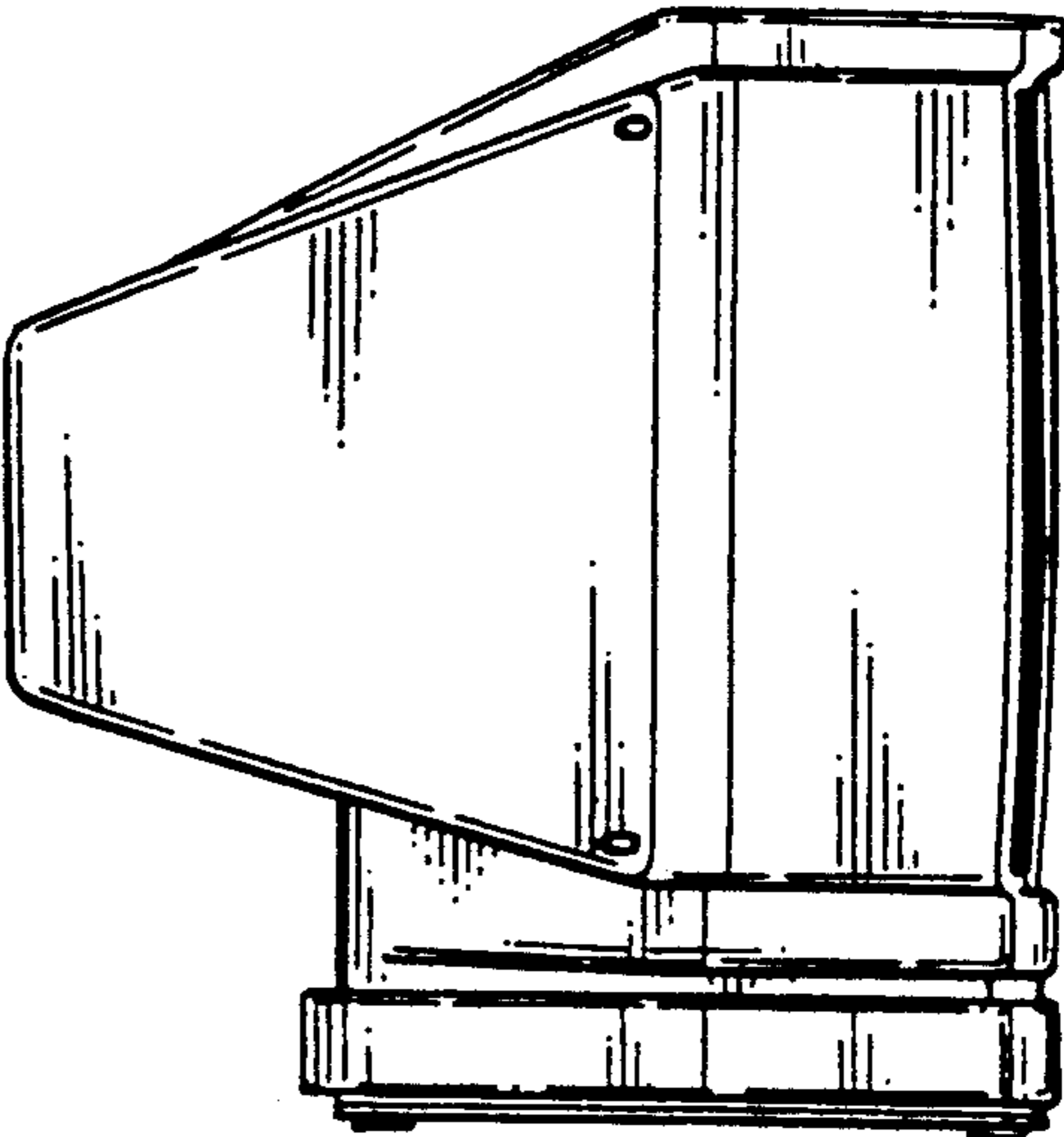


FIG. 7

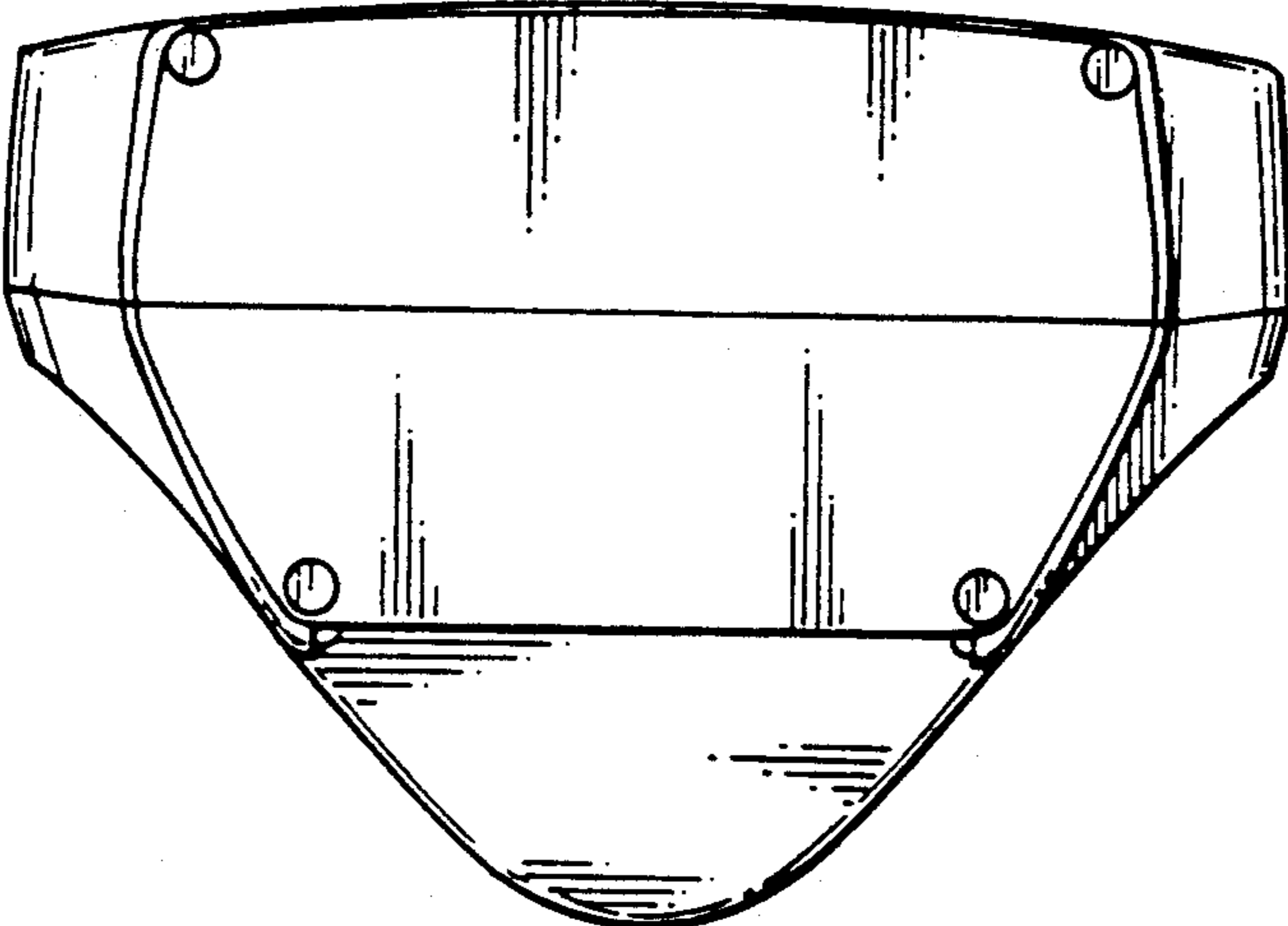


FIG. 8

