



US00D323812S

United States Patent [19]

[11] Patent Number: Des. 323,812

Sueyoshi et al.

[45] Date of Patent: ** Feb. 11, 1992

[54] ELECTRICAL CONNECTOR HOUSING

[75] Inventors: Tadahiro Sueyoshi; Masanori Tsuji; Yoshihiro Murakami; Takayuki Yamamoto; Masaru Fukuda, all of Shizuoka; Hidetaka Okabe, Toyota; Yasuhiro Nagasaka, Toyota; Yasuo Hirayama, Toyota, all of Japan

[73] Assignees: Yazaki Corporation, Tokyo; Toyota Jidosha Kabushiki Kaisha, Toyota, both of Japan

[**] Term: 14 Years

[21] Appl. No.: 470,564

[22] Filed: Jan. 26, 1990

[30] Foreign Application Priority Data

Jul. 31, 1989 [JP] Japan 1-28025

[52] U.S. Cl. D13/146

[58] Field of Search D13/133, 146, 147; 439/248, 345, 350, 352, 353, 358, 544, 586, 587, 595, 596, 598, 600, 682, 752

[56] References Cited

U.S. PATENT DOCUMENTS

D. 308,155	6/1990	Makita et al.	D13/146
D. 311,375	10/1990	Kuzuno et al.	D13/147
4,802,869	2/1989	Maue	439/752
4,806,123	2/1989	Konishi et al.	439/595
4,869,699	9/1989	Oda et al.	439/350 X

Primary Examiner—Susan J. Lucas

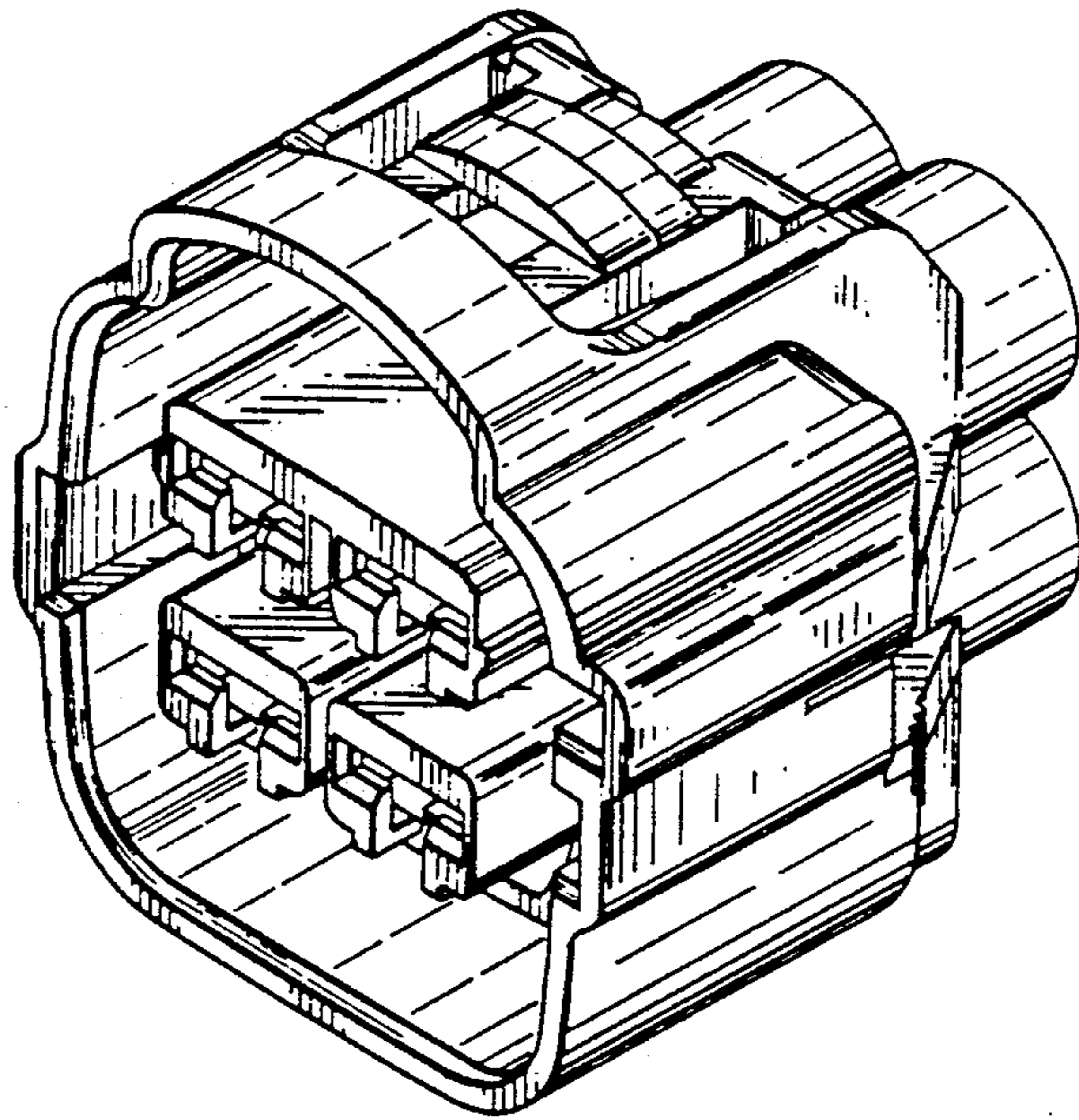
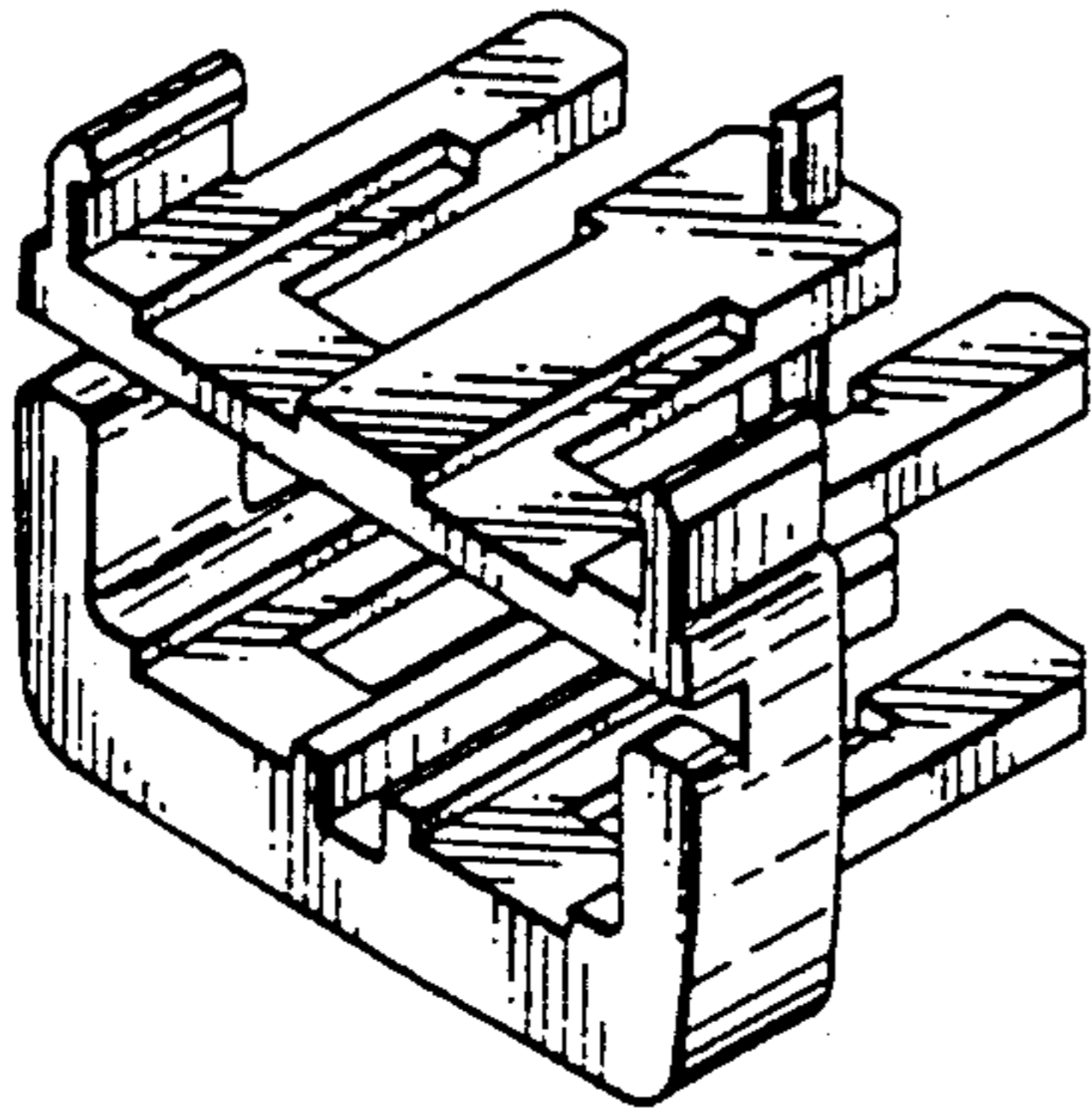
Assistant Examiner—J. Sincavage

[57] CLAIM

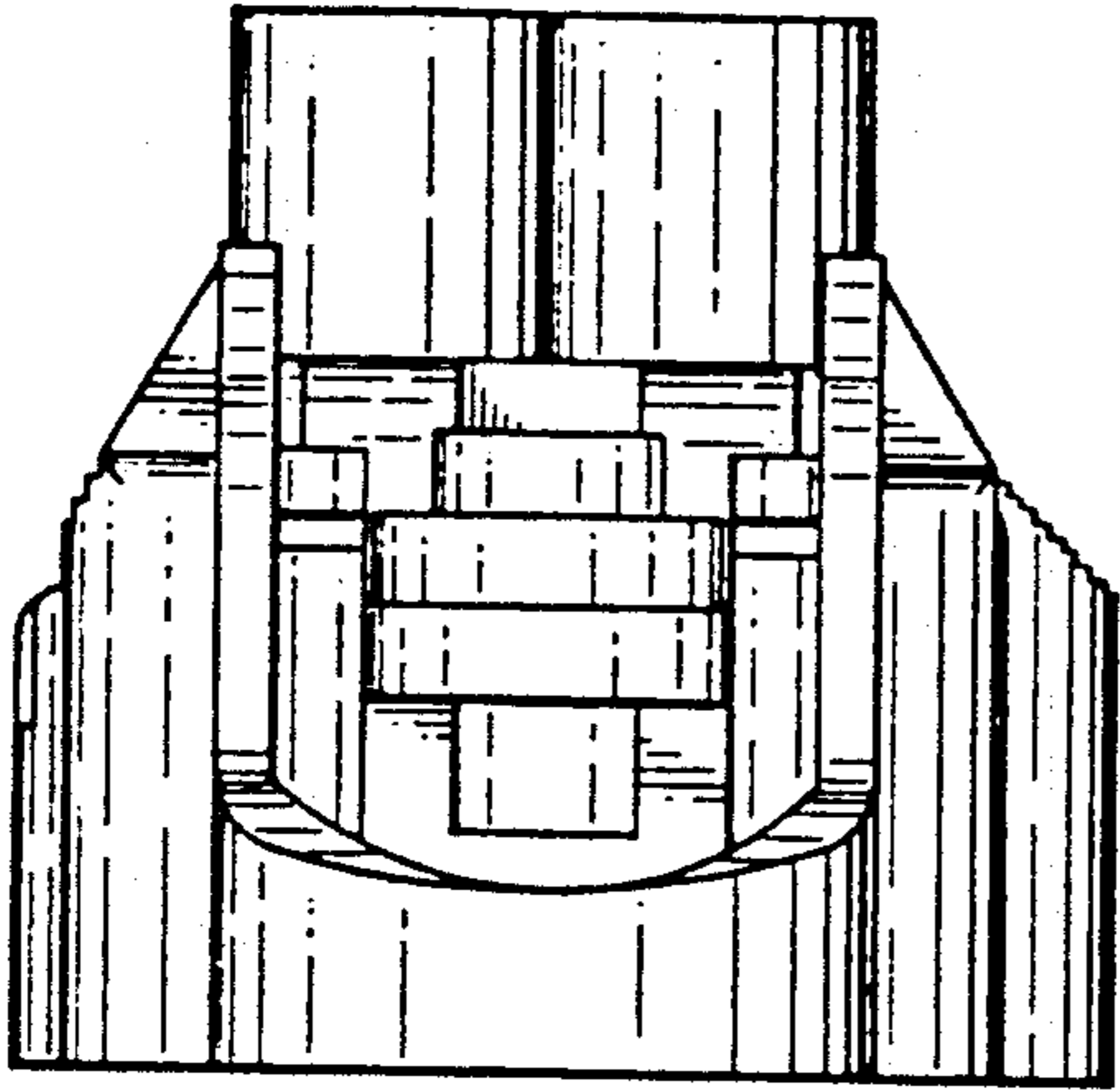
The ornamental design for an electrical connector housing, as shown and described.

DESCRIPTION

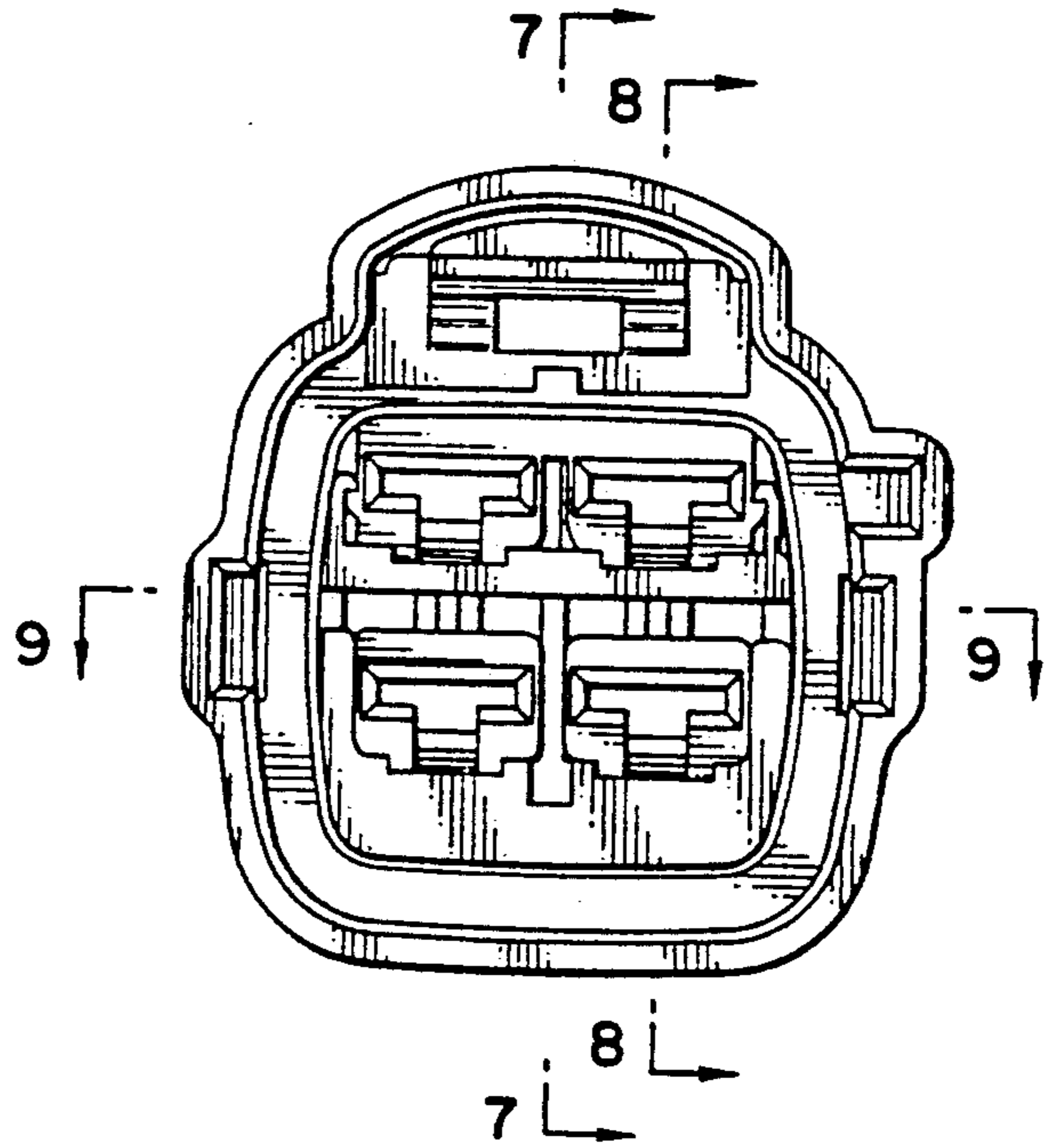
FIG. 1 is a top plan view of an electrical connector housing showing our new design;
 FIG. 2 is a front elevational view thereof;
 FIG. 3 is a bottom plan view thereof;
 FIG. 4 is a left side elevational view thereof;
 FIG. 5 is a right side elevational view thereof;
 FIG. 6 is a rear elevational view thereof;
 FIG. 7 is a cross-sectional view thereof taken along line 7—7 of FIG. 2;
 FIG. 8 is a cross-sectional view thereof taken along line 8—8 of FIG. 2;
 FIG. 9 is a cross-sectional view thereof taken along line 9—9 of FIG. 2;
 FIG. 10 is a front and upper right perspective view thereof with the terminal retainer removed; and
 FIG. 11 is a cross-sectional view thereof taken along line 8—8 of FIG. 2 looking in the opposite direction and showing the housing in use. The broken line showing of the conductors, terminals and the corresponding housing is included for the purposes of illustrating environmental elements only and forms no part of the claimed design.



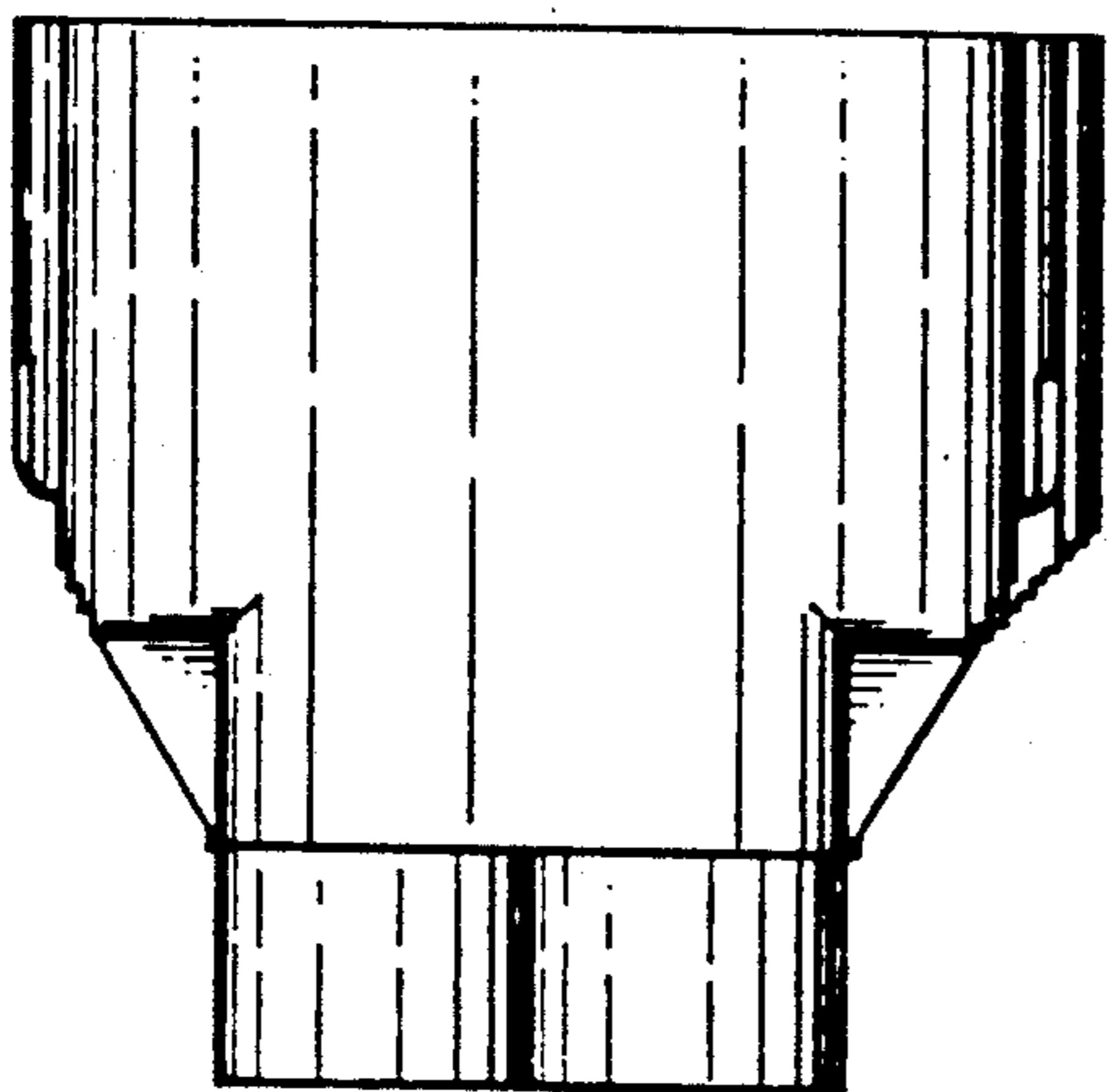
F I G. 1



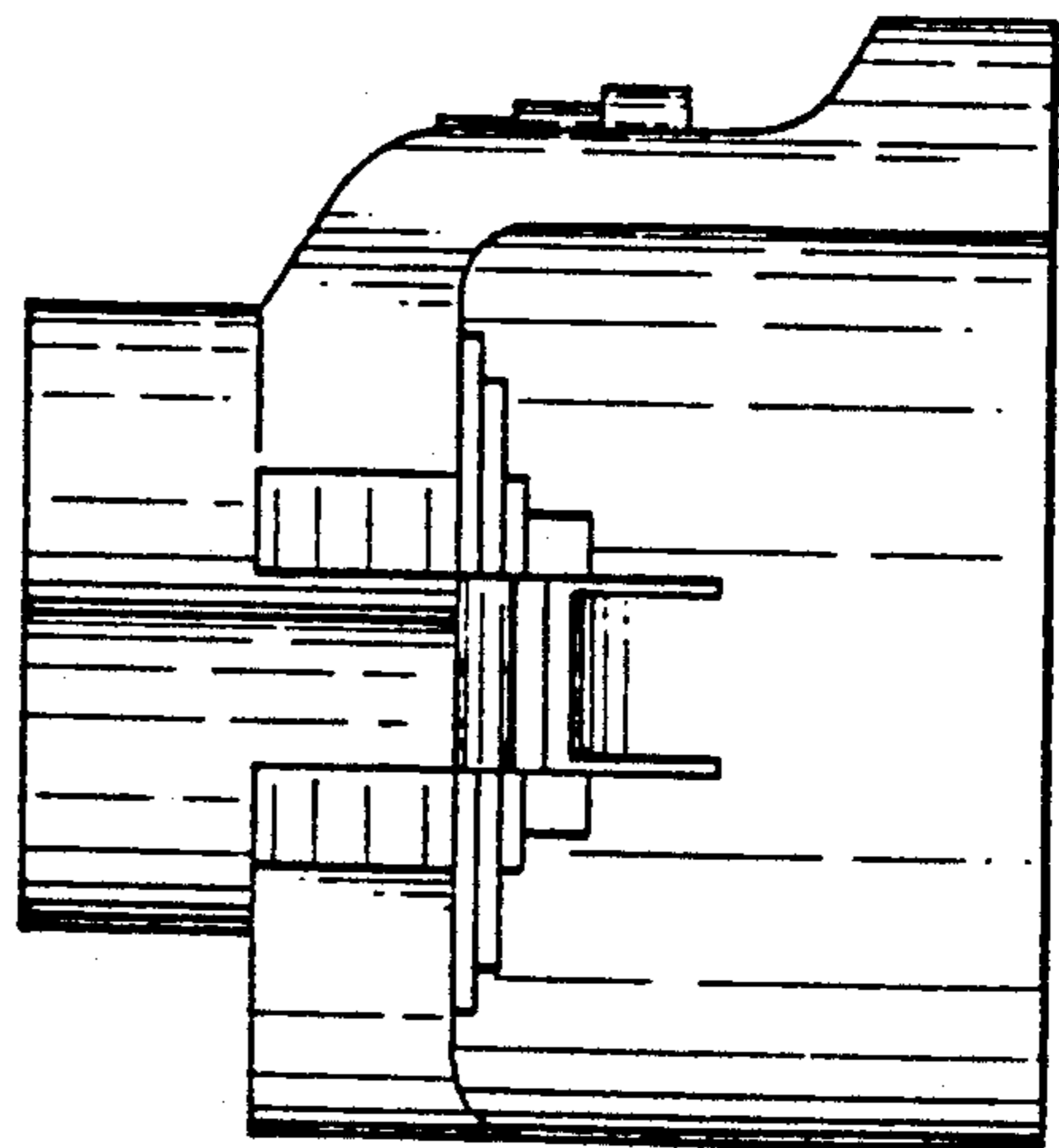
F I G. 2



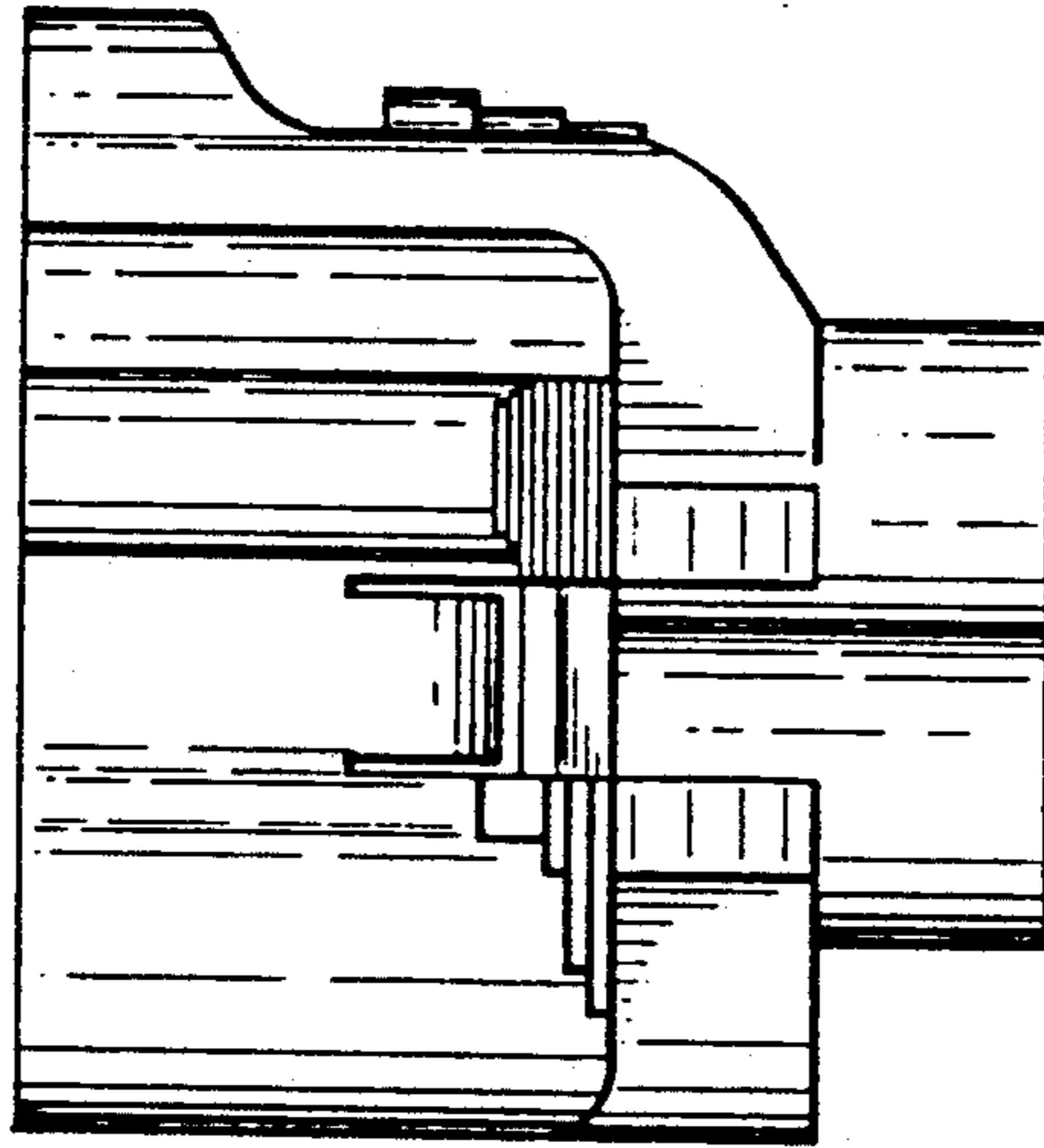
F I G. 3



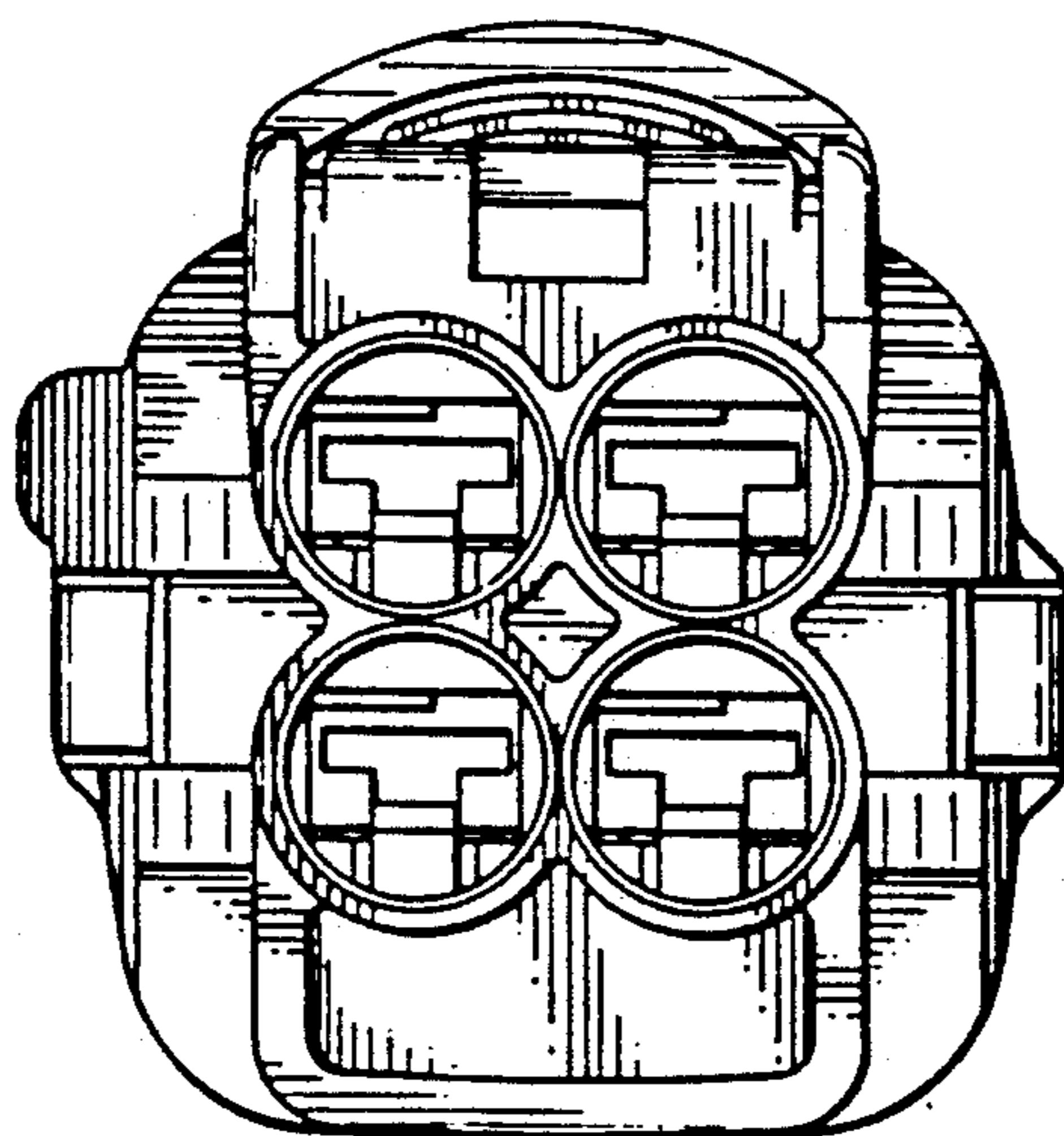
F I G. 4



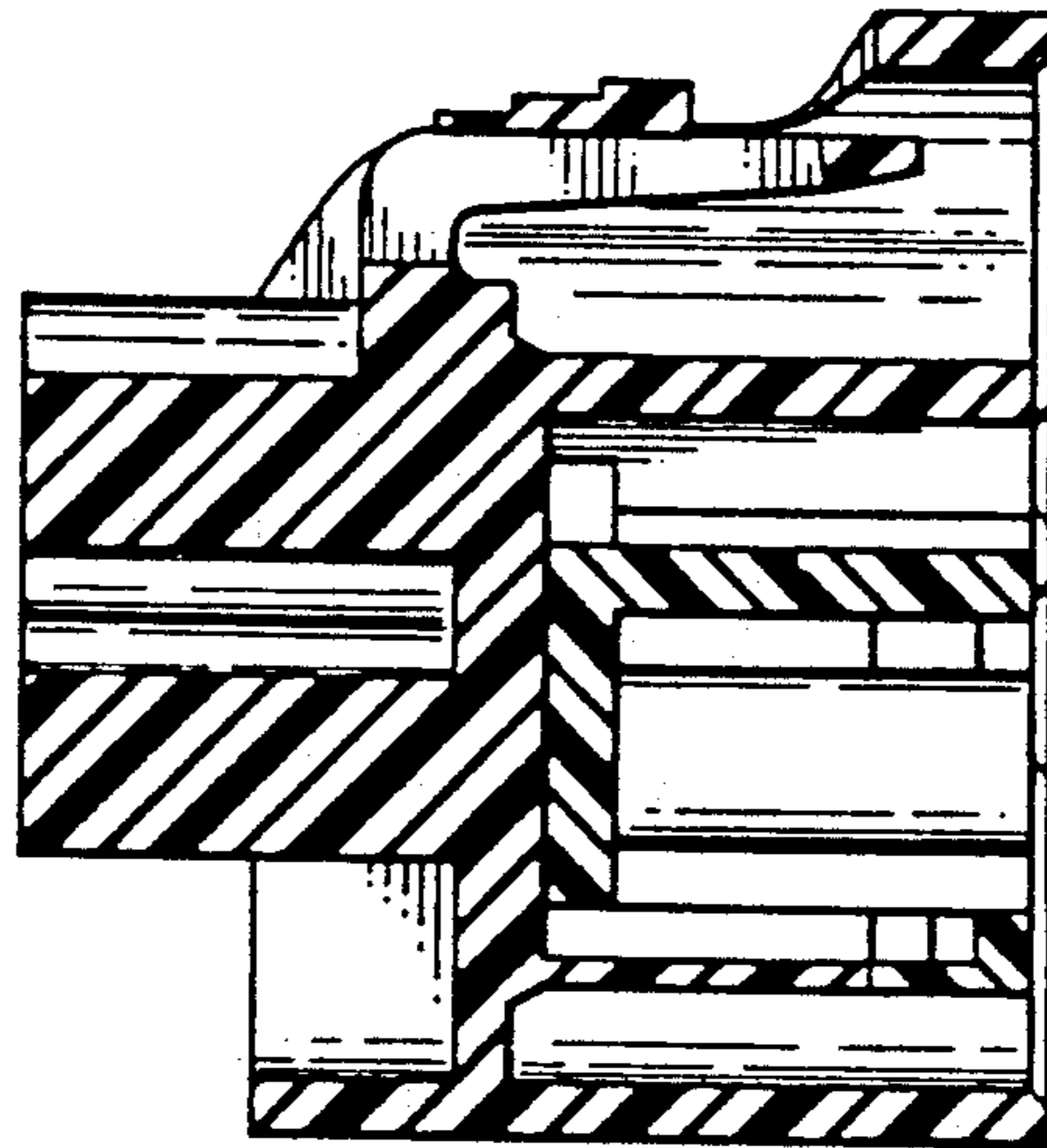
F I G . 5



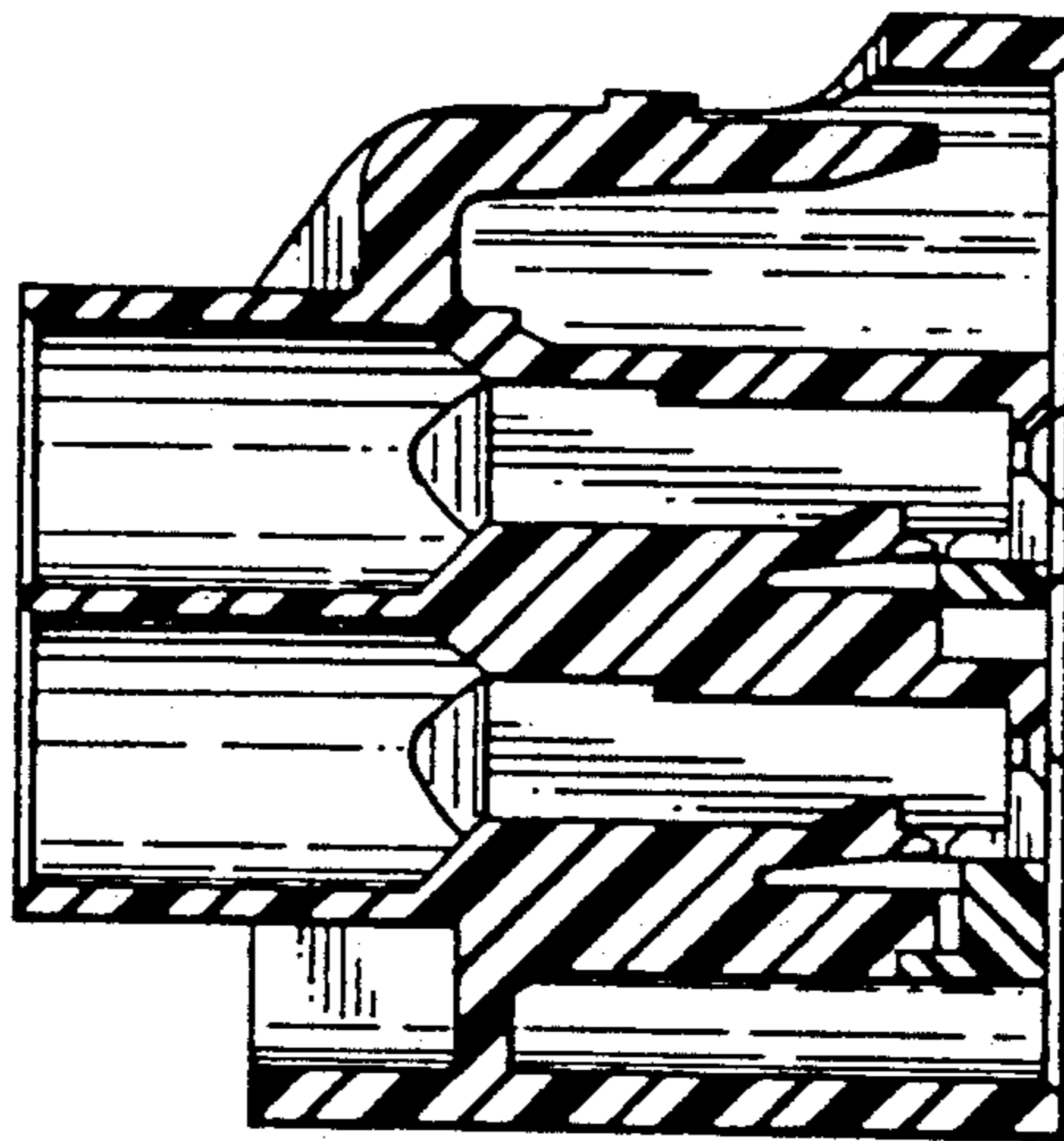
F I G . 6



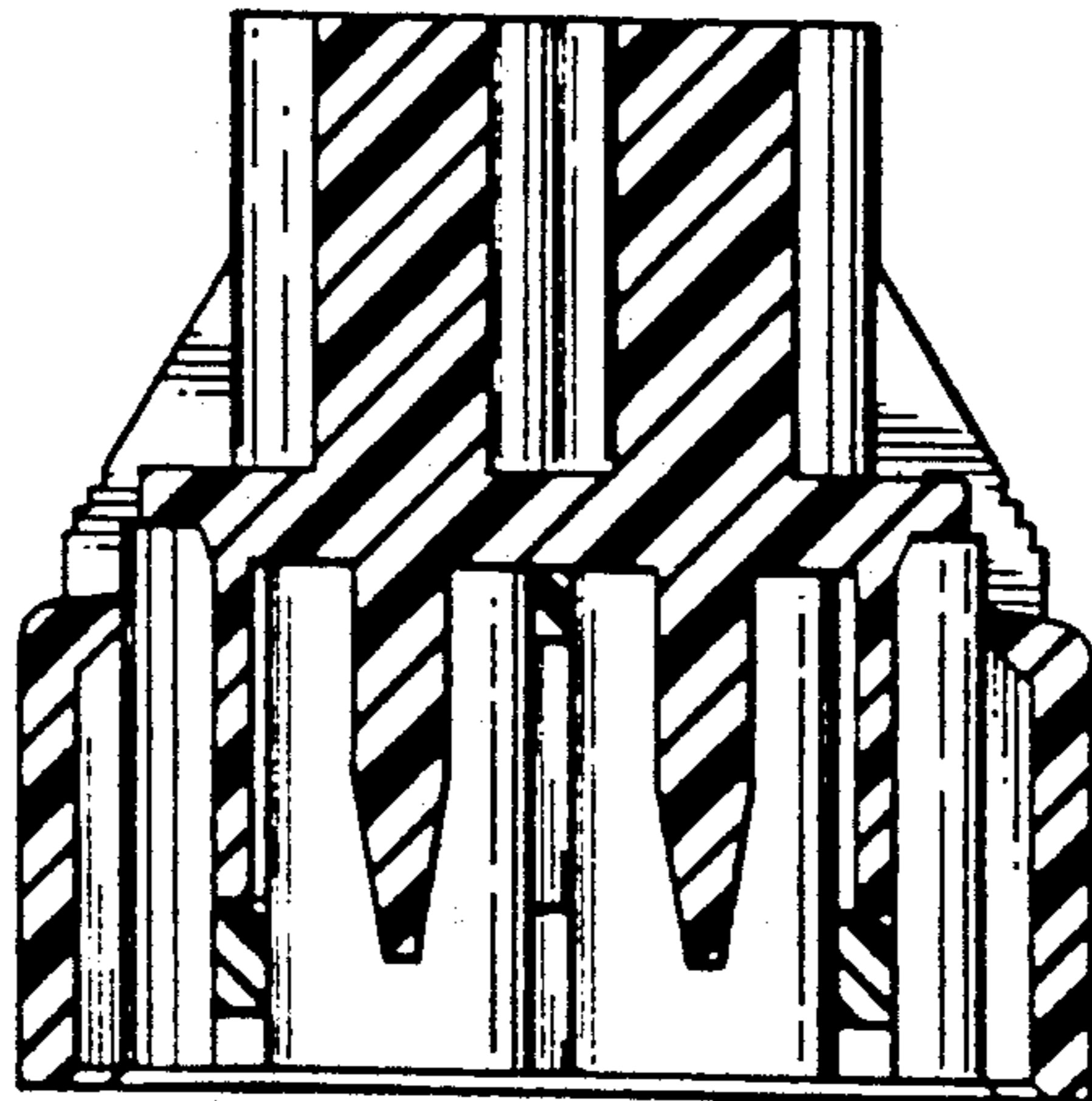
F I G . 7



F I G . 8



F I G . 9



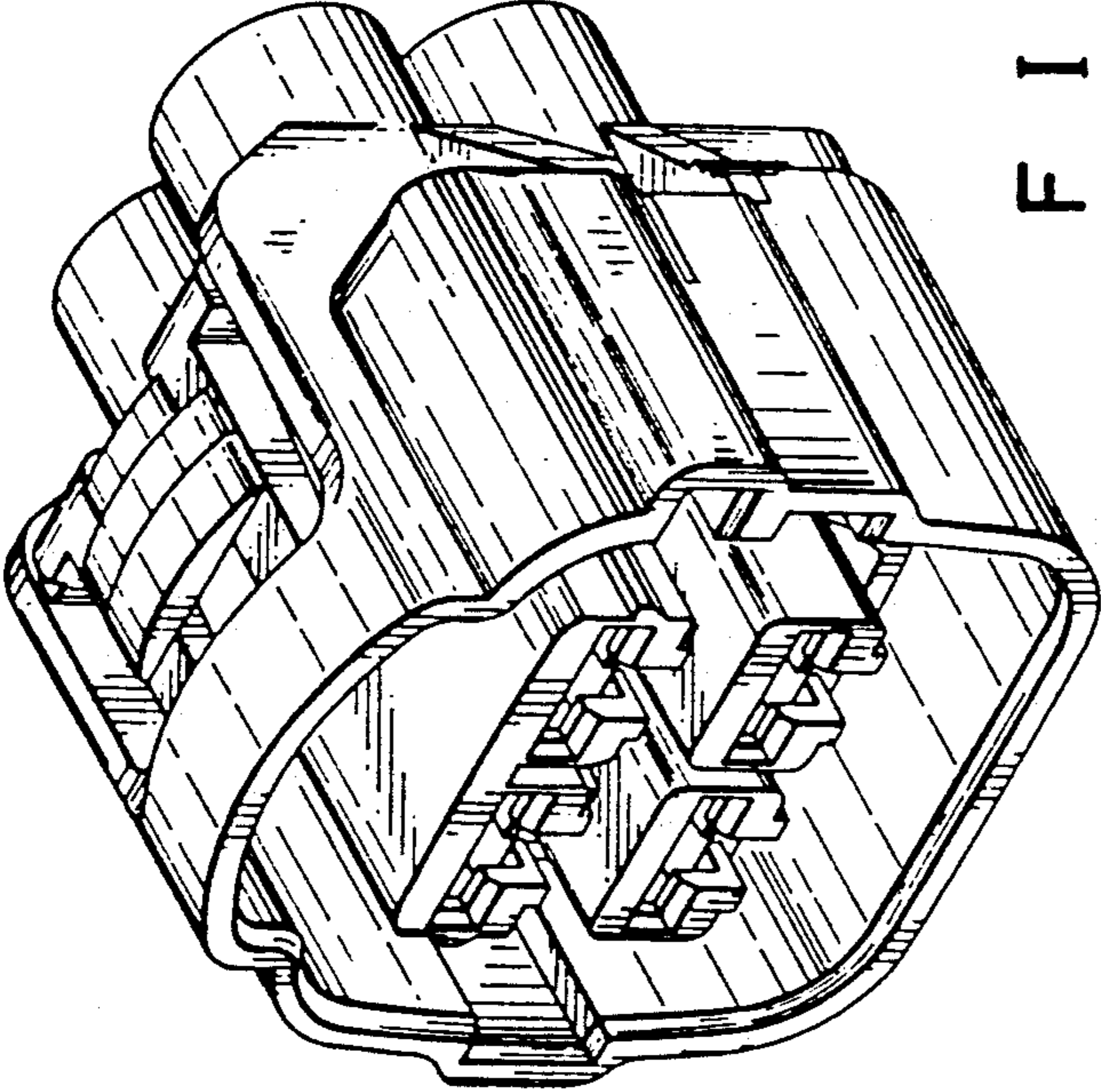


FIG. 10

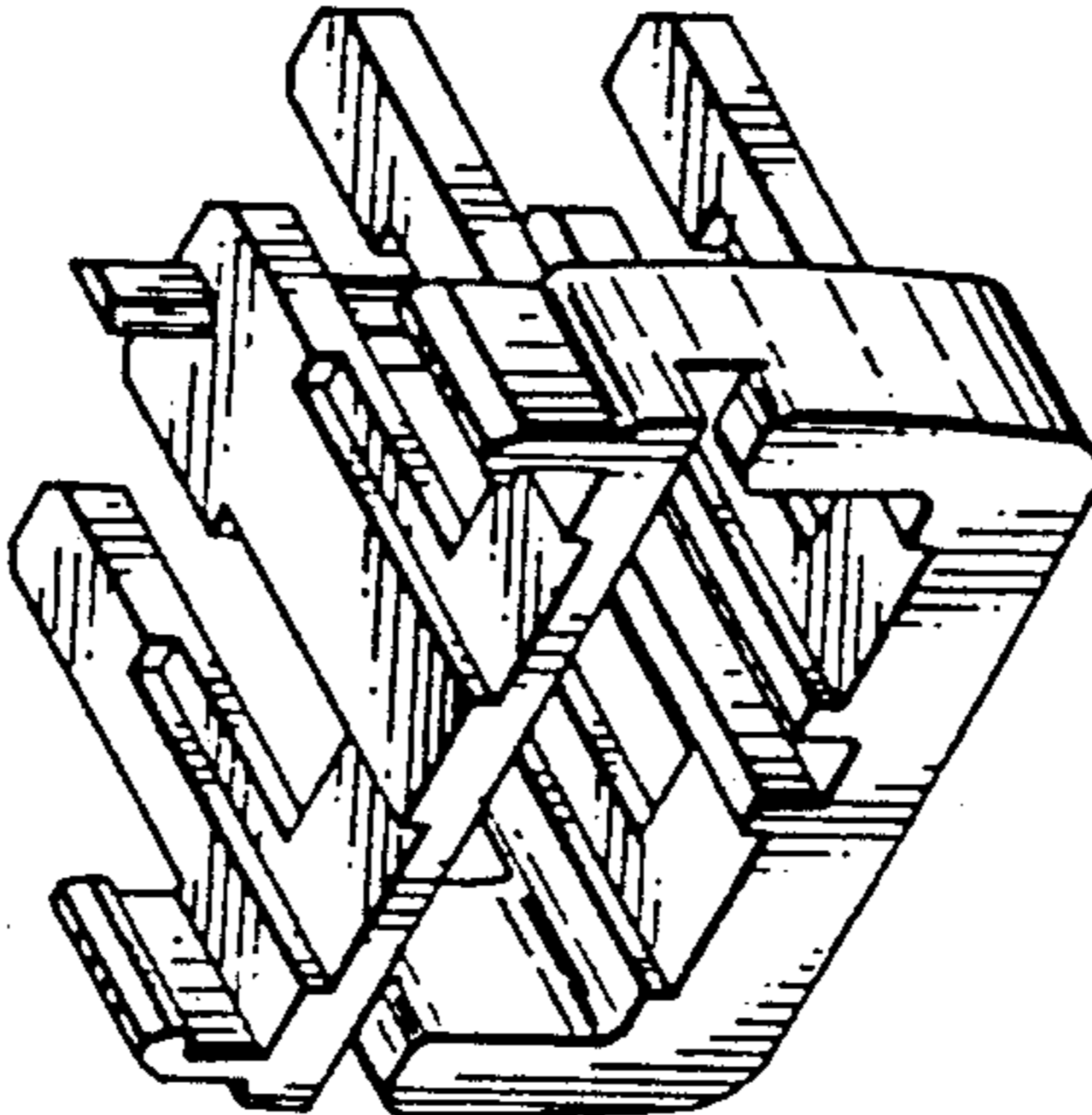
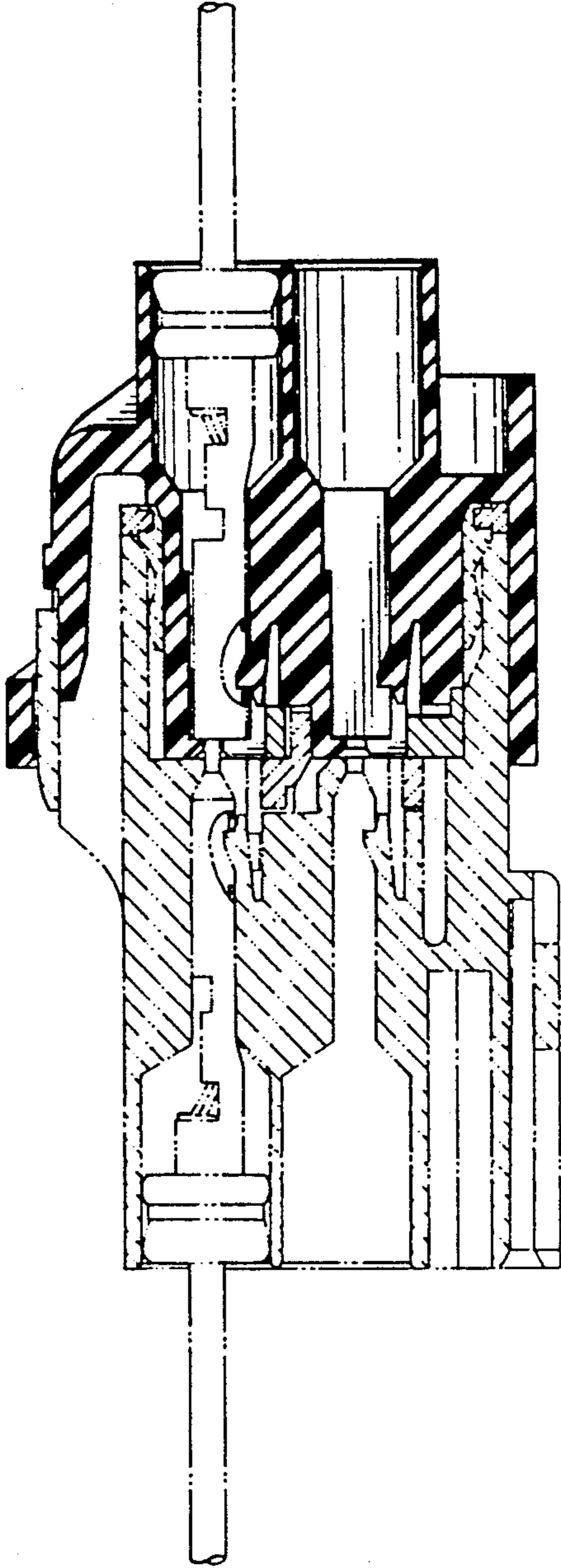


FIG. 11



UNITED STATES PATENT AND TRADEMARK OFFICE
CERTIFICATE OF CORRECTION

PATENT NO. : Des. 323,812
DATED : February 11, 1992
INVENTOR(S) : Tadahiro SUEYOSHI et al

It is certified that error appears in the above-identified patent and that said Letters Patent is hereby corrected as shown below:

On the cover page, in Item [30], delete "1-28025"
and insert therefor -- 1-28085 --.

Signed and Sealed this
Sixth Day of July, 1993

Attest:



MICHAEL K. KIRK

Attesting Officer

Acting Commissioner of Patents and Trademarks