



US00D323811S

United States Patent [19]

[11] Patent Number: **Des. 323,811**

Sueyoshi et al.

[45] Date of Patent: **** Feb. 11, 1992**

[54] **ELECTRICAL CONNECTOR HOUSING**

[75] Inventors: **Tadahiro Sueyoshi; Masanori Tsuji; Yoshihiro Murakami; Takayuki Yamamoto; Masaru Fukuda**, all of Shizuoka; **Hidetaka Okabe**, Toyota; **Yasuhiro Nagasaka**, Toyota; **Yasuo Hirayama**, Toyota, all of Japan

[73] Assignees: **Yazaki Corporation**, Tokyo; **Toyota Jidosha Kabushiki Kaisha**, Toyota, both of Japan

[**] Term: **14 Years**

[21] Appl. No.: **470,555**

[22] Filed: **Jan. 26, 1990**

[30] **Foreign Application Priority Data**

Jul. 31, 1989 [JP] Japan 1-28079

[52] U.S. Cl. **D13/146**

[58] Field of Search D13/133, 146, 147; 439/248, 345, 350, 352, 353, 358, 544, 586, 587, 595, 596, 598, 600, 682, 752

[56] **References Cited**

U.S. PATENT DOCUMENTS

D. 318,043 7/1991 Nagasaka et al. D13/147

D. 318,718 7/1991 Blatt D13/133 X
4,797,116 1/1989 Isohata et al. 439/595 X
4,822,302 4/1989 Dorleans 439/544
4,975,082 12/1990 Nagasaka et al. 439/598 X

Primary Examiner—Susan J. Lucas

Assistant Examiner—J. Sincavage

[57] **CLAIM**

The ornamental design for an electrical connector housing, as shown and described.

DESCRIPTION

FIG. 1 is a top plan view of an electrical connector housing showing our new design; FIG. 2 is a front elevational view thereof; FIG. 3 is a bottom plan view thereof; FIG. 4 is a right side elevational view thereof, the left side elevational view thereof being a mirror image; FIG. 5 is a rear elevational view thereof; FIG. 6 is a cross-sectional view thereof taken along line 6—6 of FIG. 2; FIG. 7 is a front and upper right perspective view thereof with the terminal retainer removed; and FIG. 8 is a cross-sectional view similar to FIG. 6. The broken line showing of the conductors, terminals and corresponding housing is included for the purposes of illustrating environmental elements only and forms no part of the claimed design.

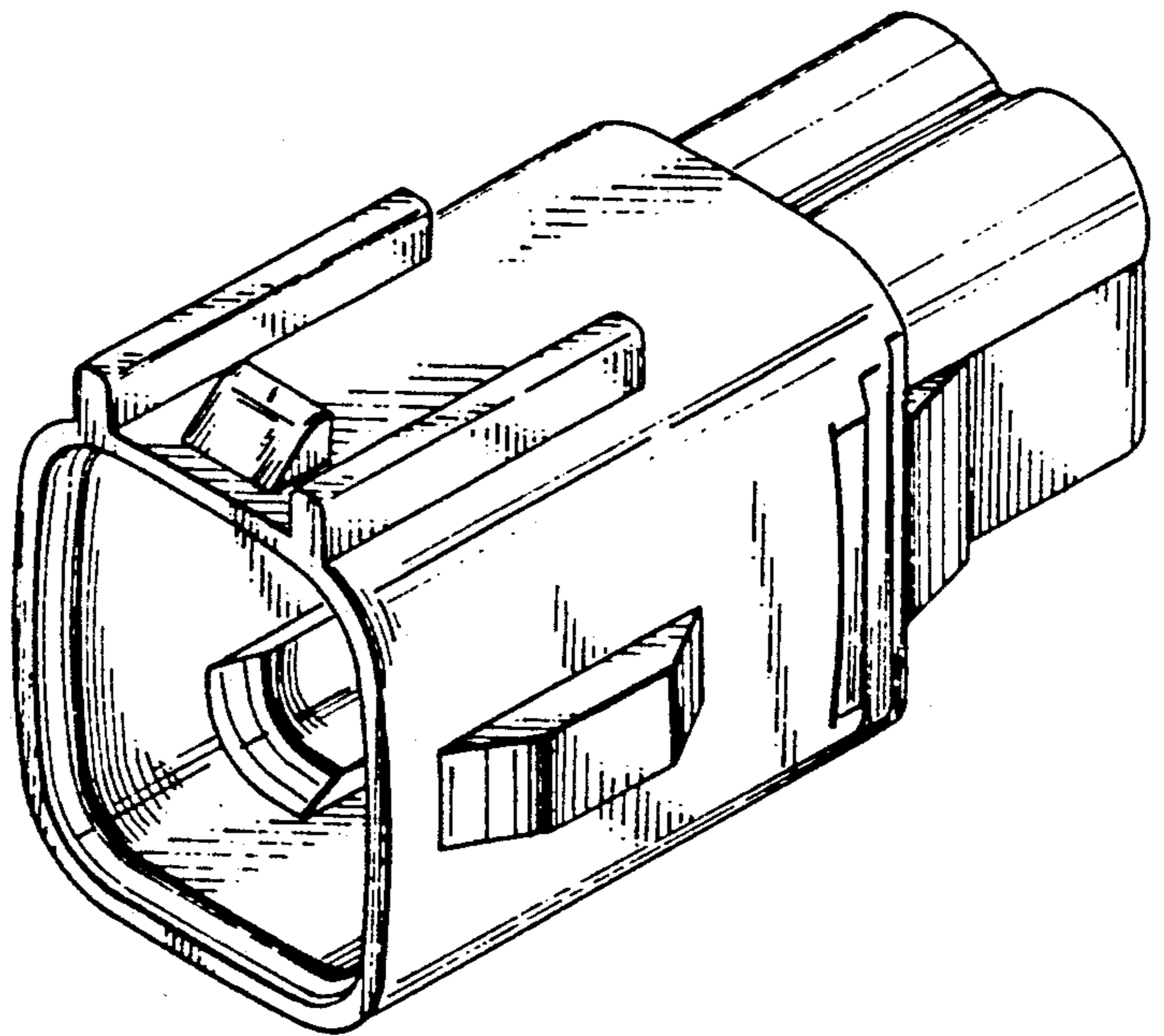
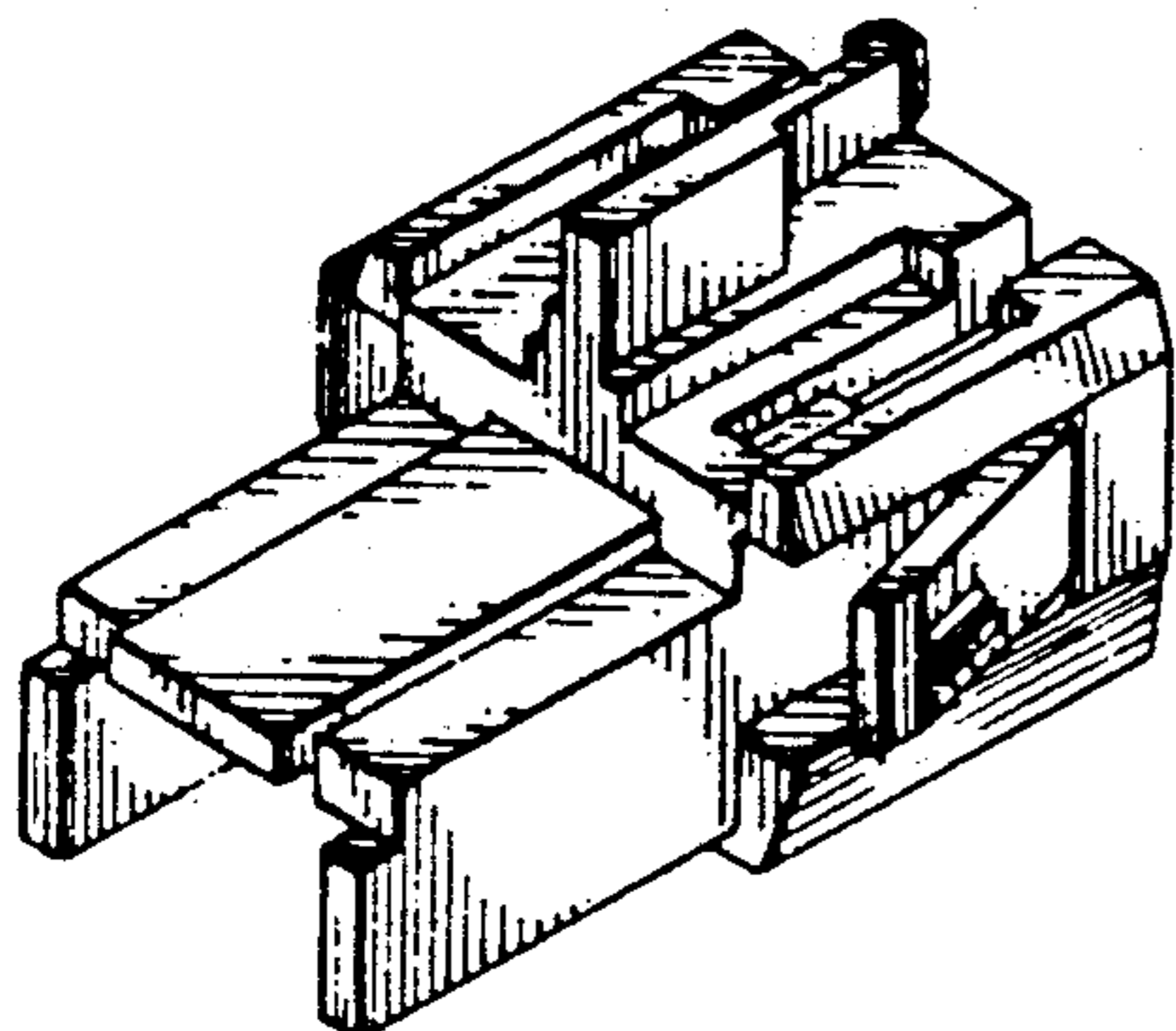


FIG. 1

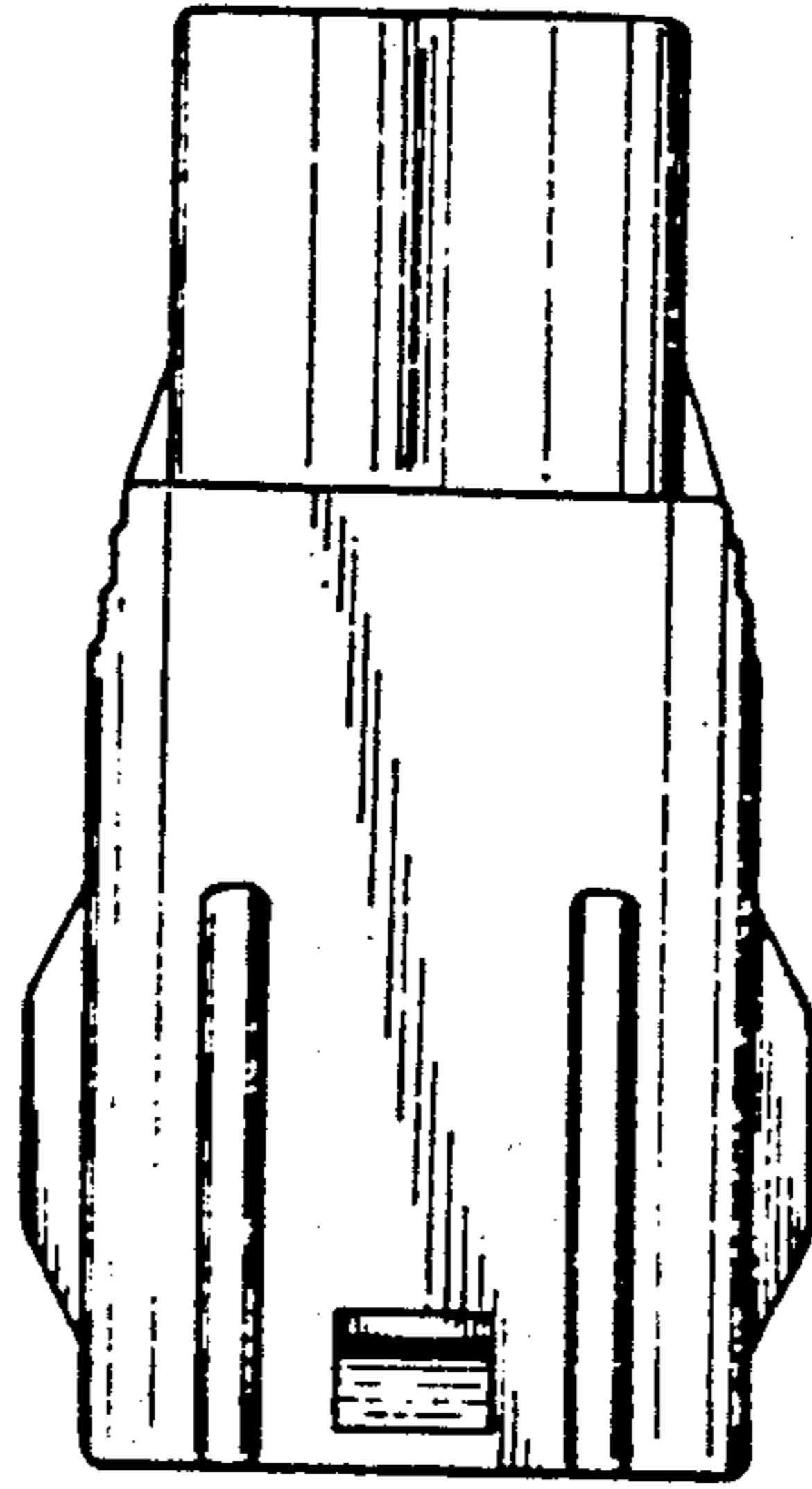


FIG. 2

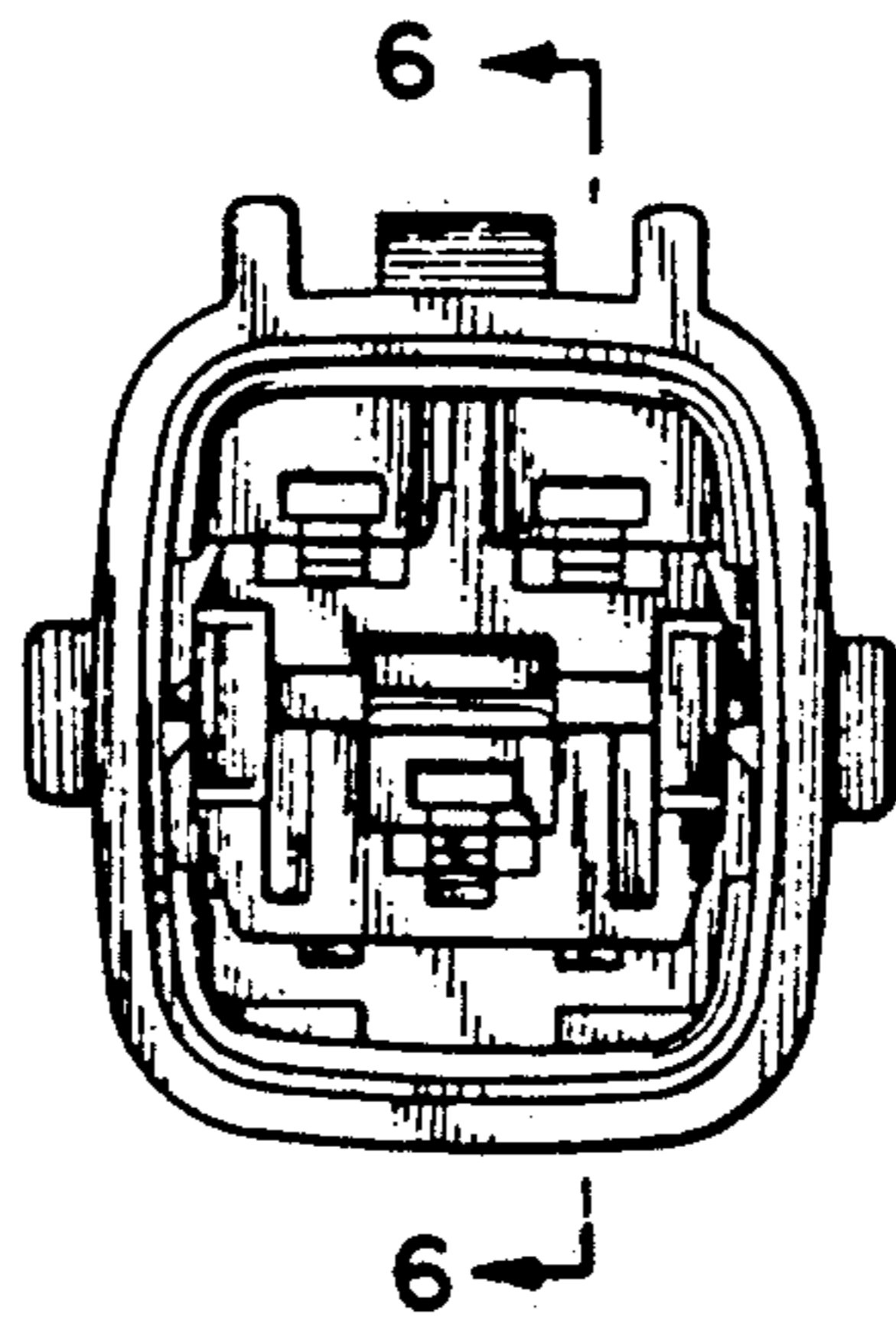
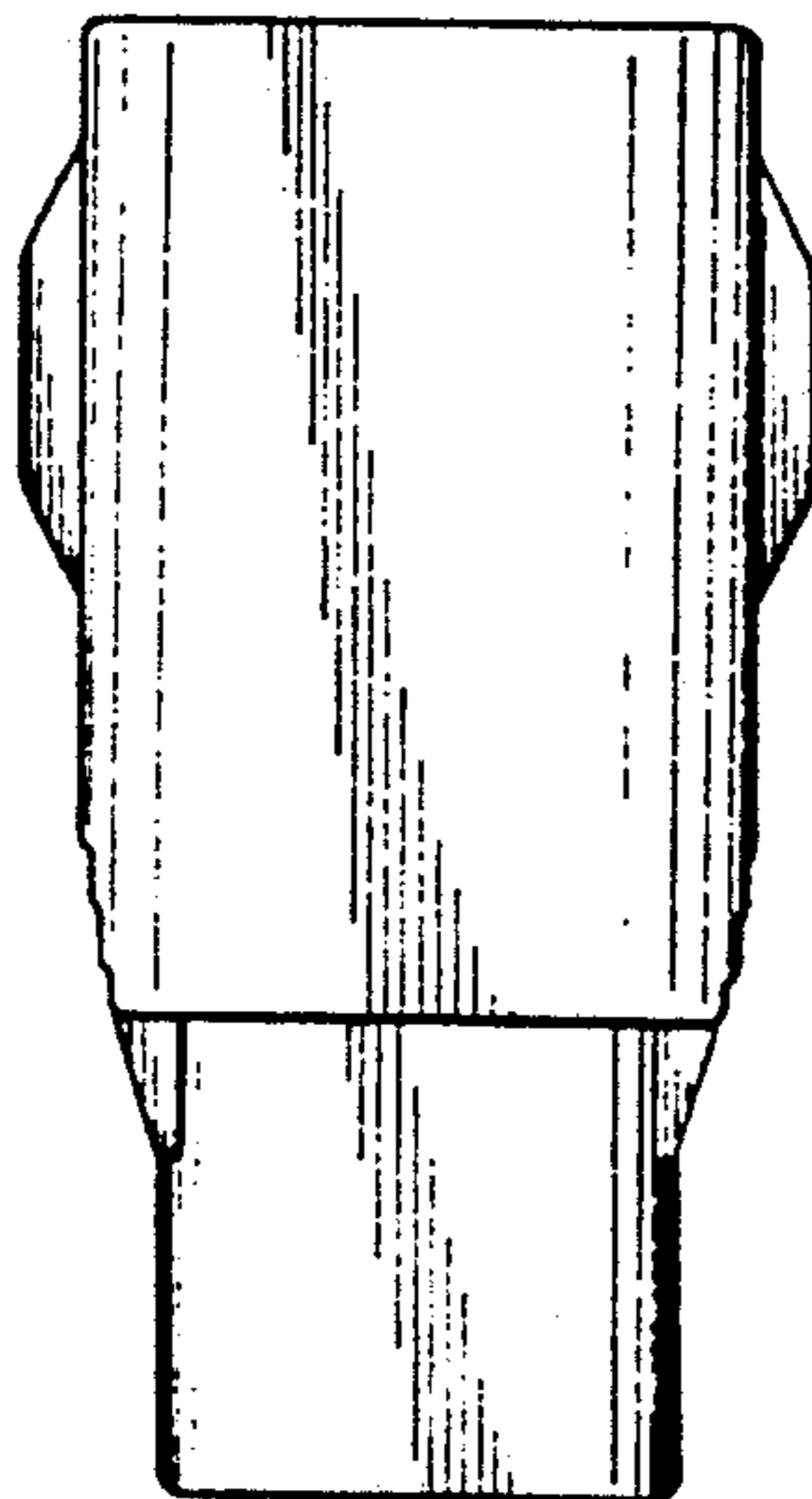
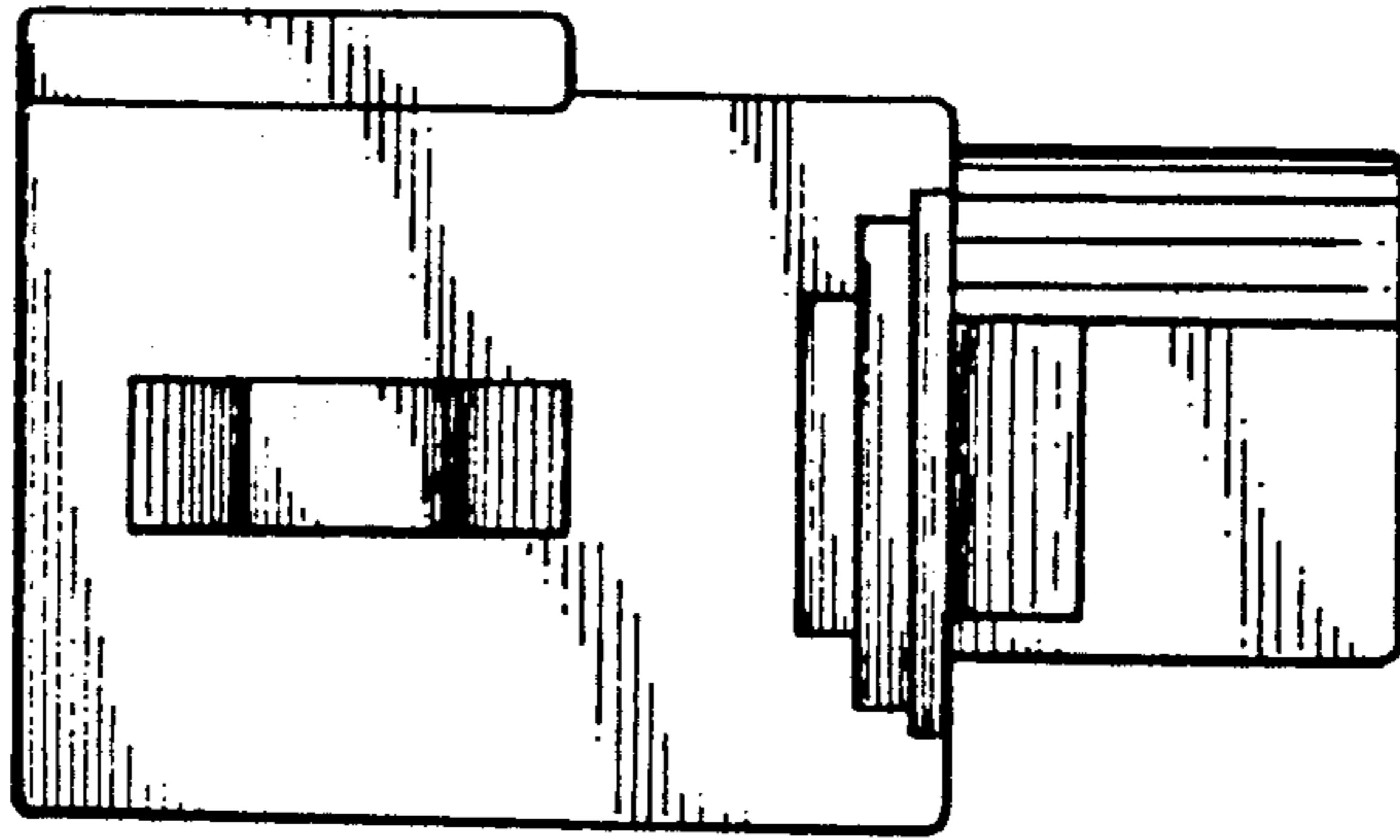


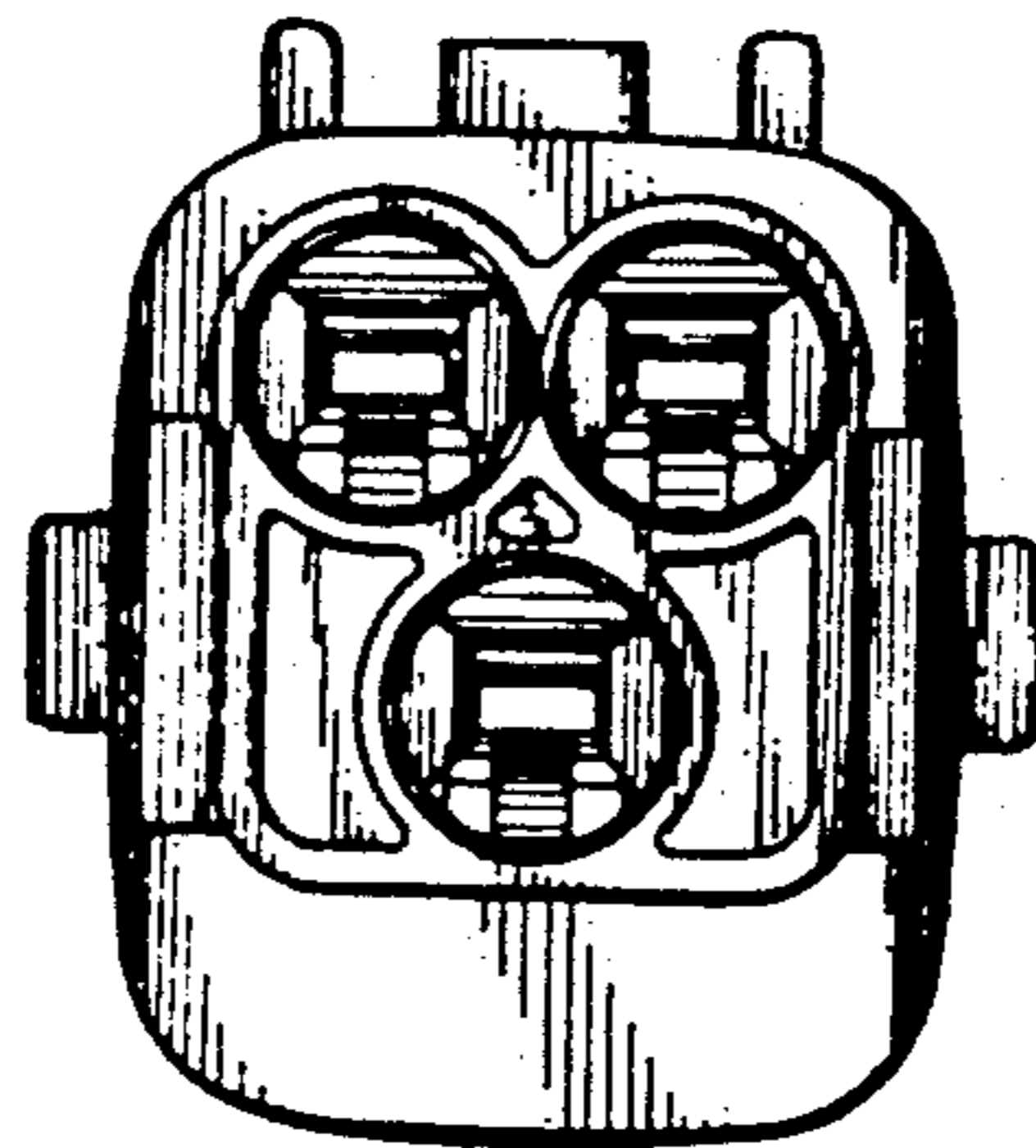
FIG. 3



F I G. 4



F I G. 5



F I G. 6

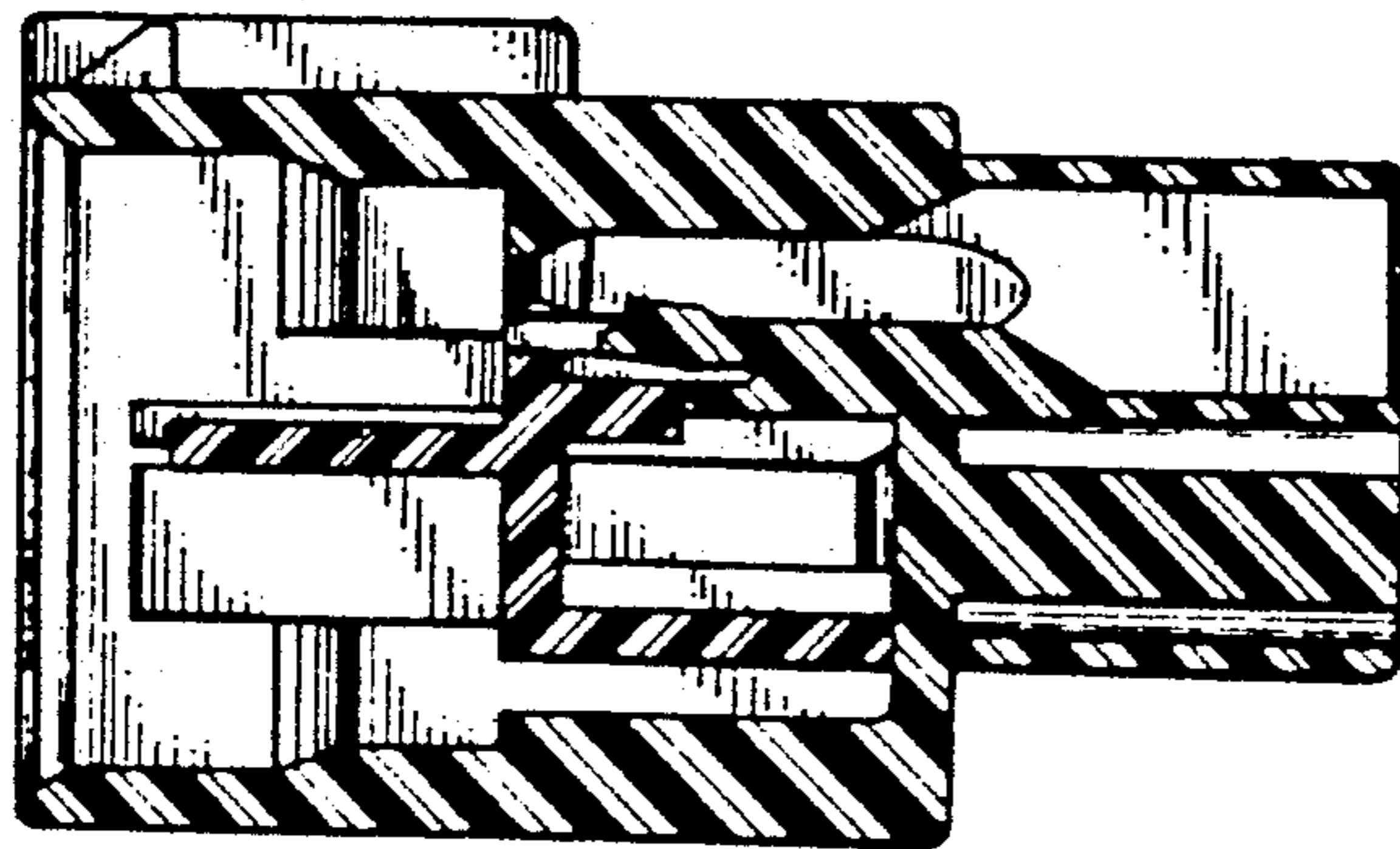


FIG. 7

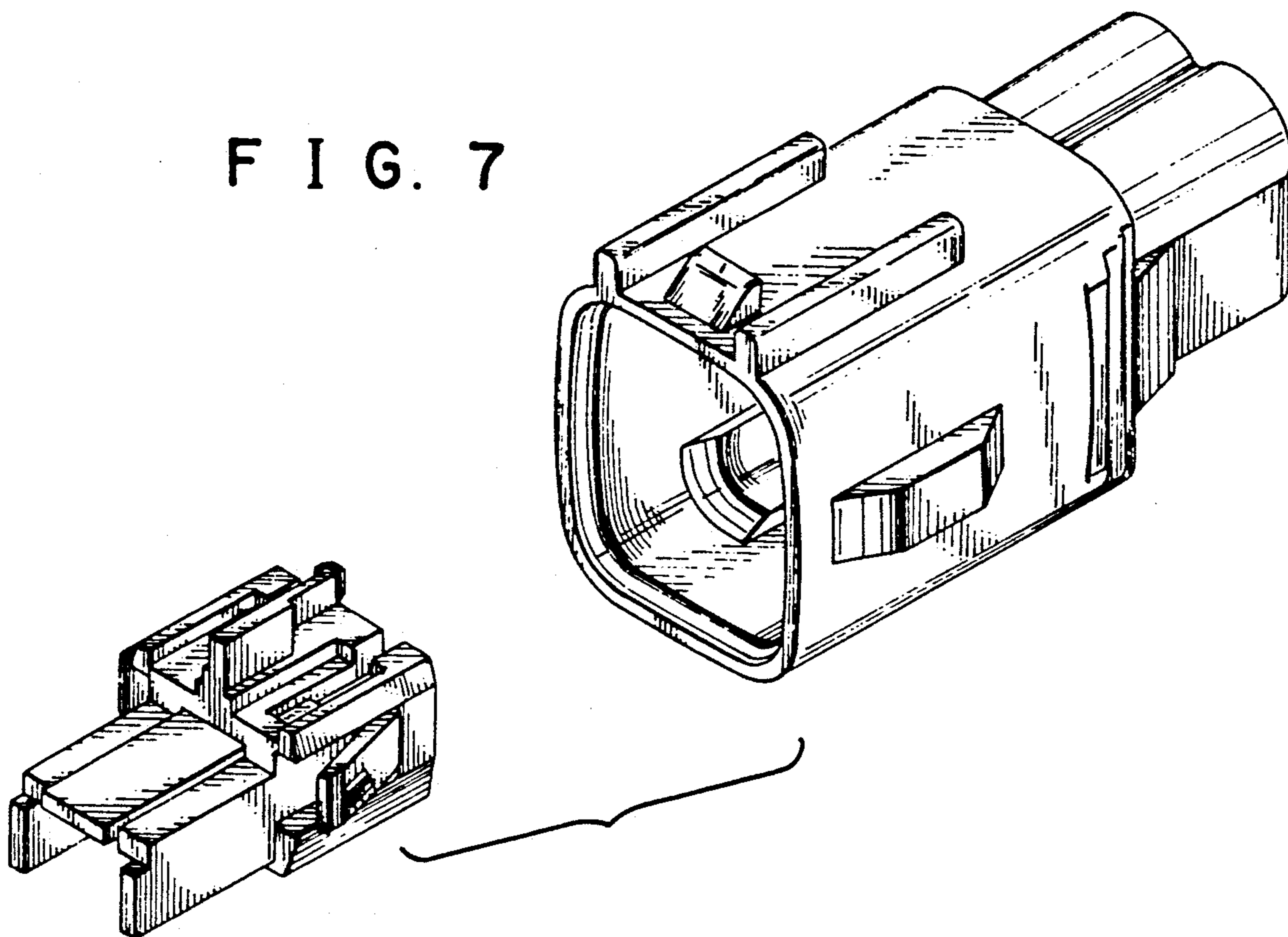


FIG. 8

