



US00D323810S

# United States Patent [19]

[11] Patent Number: **Des. 323,810**

Sueyoshi et al.

[45] Date of Patent: **\*\* Feb. 11, 1992**

[54] **ELECTRICAL CONNECTOR HOUSING**

4,797,116	1/1989	Isohata et al.	439/595 X
4,822,302	4/1989	Dorleans	439/544
4,975,082	12/1990	Nagasaka et al.	439/598 X

[75] Inventors: **Tadahiro Sueyoshi; Masanori Tsuji; Yoshihiro Murakami; Takayuki Yamamoto; Masaru Fukuda**, all of Shizuoka; **Hidetaka Okabe**, Toyota; **Yasuhiro Nagasaka**, Toyota; **Yasuo Hirayama**, Toyota, all of Japan

*Primary Examiner*—Susan J. Lucas  
*Assistant Examiner*—J. Sincavage

[73] Assignees: **Yazaki Corporation**, Tokyo; **Toyota Jidosha Kabushiki Kaisha**, Toyota, both of Japan

[57] **CLAIM**

The ornamental design for an electrical connector housing, as shown and described.

[\*\*] Term: **14 Years**

**DESCRIPTION**

[21] Appl. No.: **470,556**

FIG. 1 is a top plan view of an electrical connector housing showing our new design; FIG. 2 is a front elevational view thereof; FIG. 3 is a bottom plan view thereof; FIG. 4 is a left side elevational view thereof; FIG. 5 is a right side elevational view thereof; FIG. 6 is a rear elevational view thereof; FIG. 7 is a cross-sectional view thereof taken along line 7—7 of FIG. 2; FIG. 8 is a front and upper right perspective view thereof with the terminal retainer removed; and FIG. 9 is a cross-sectional view thereof taken along line 7—7 of FIG. 2 looking in the opposite direction and showing the housing in use. The broken line showing of the conductors, terminals and the corresponding housing is included for the purpose of illustrating environmental elements only and forms no part of the claimed design.

[22] Filed: **Jan. 26, 1990**

[30] **Foreign Application Priority Data**

Jul. 31, 1989 [JP] Japan ..... 1-28072

[52] U.S. Cl. .... **D13/133**

[58] Field of Search ..... **D13/133, 146, 147; 439/248, 345, 350, 352, 353, 358, 544, 586, 587, 595, 596, 598, 600, 682, 752**

[56] **References Cited**

**U.S. PATENT DOCUMENTS**

D. 318,043	7/1991	Nagasaka et al.	D13/147
D. 318,718	7/1991	Blatt	D13/133 X

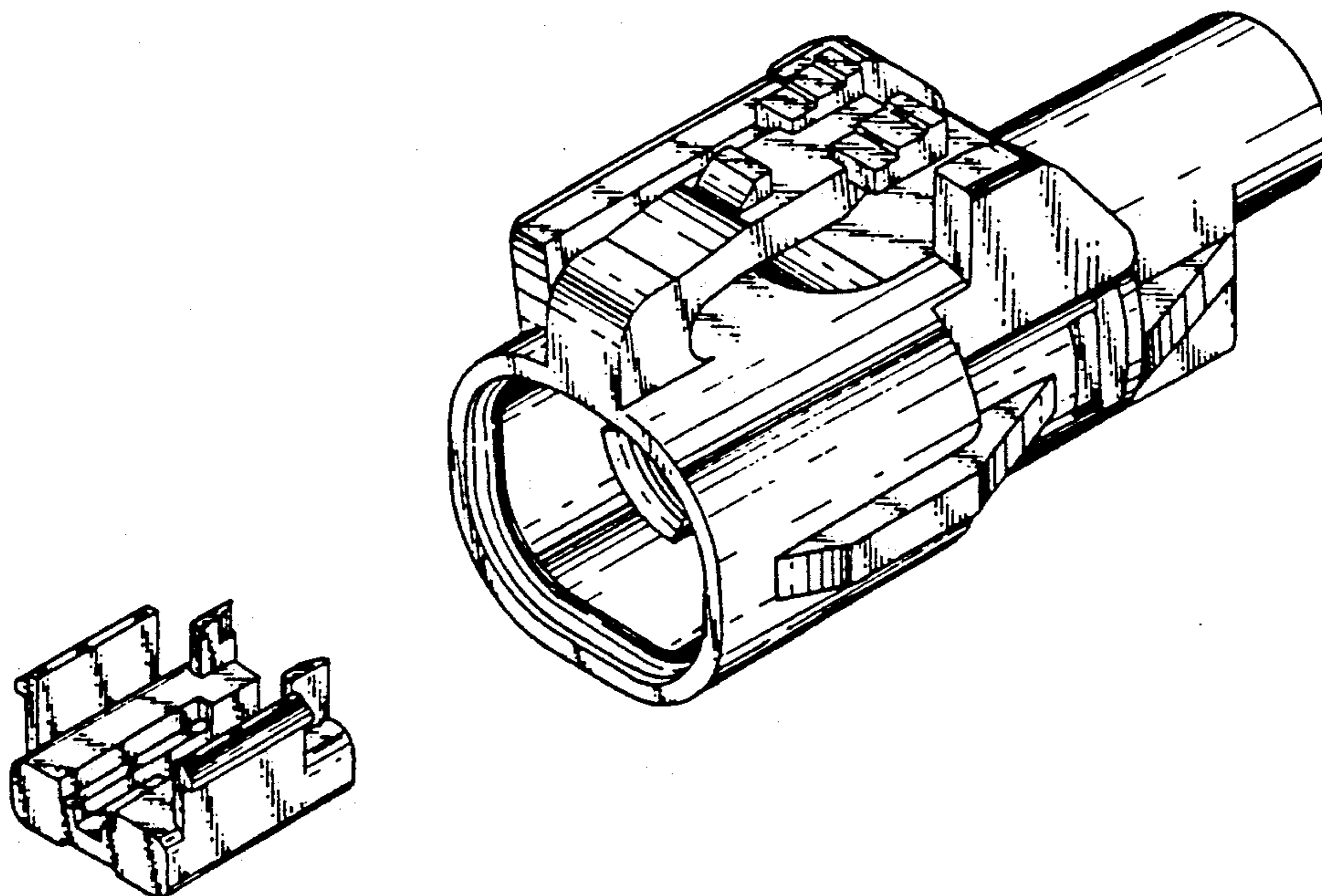


FIG. 1

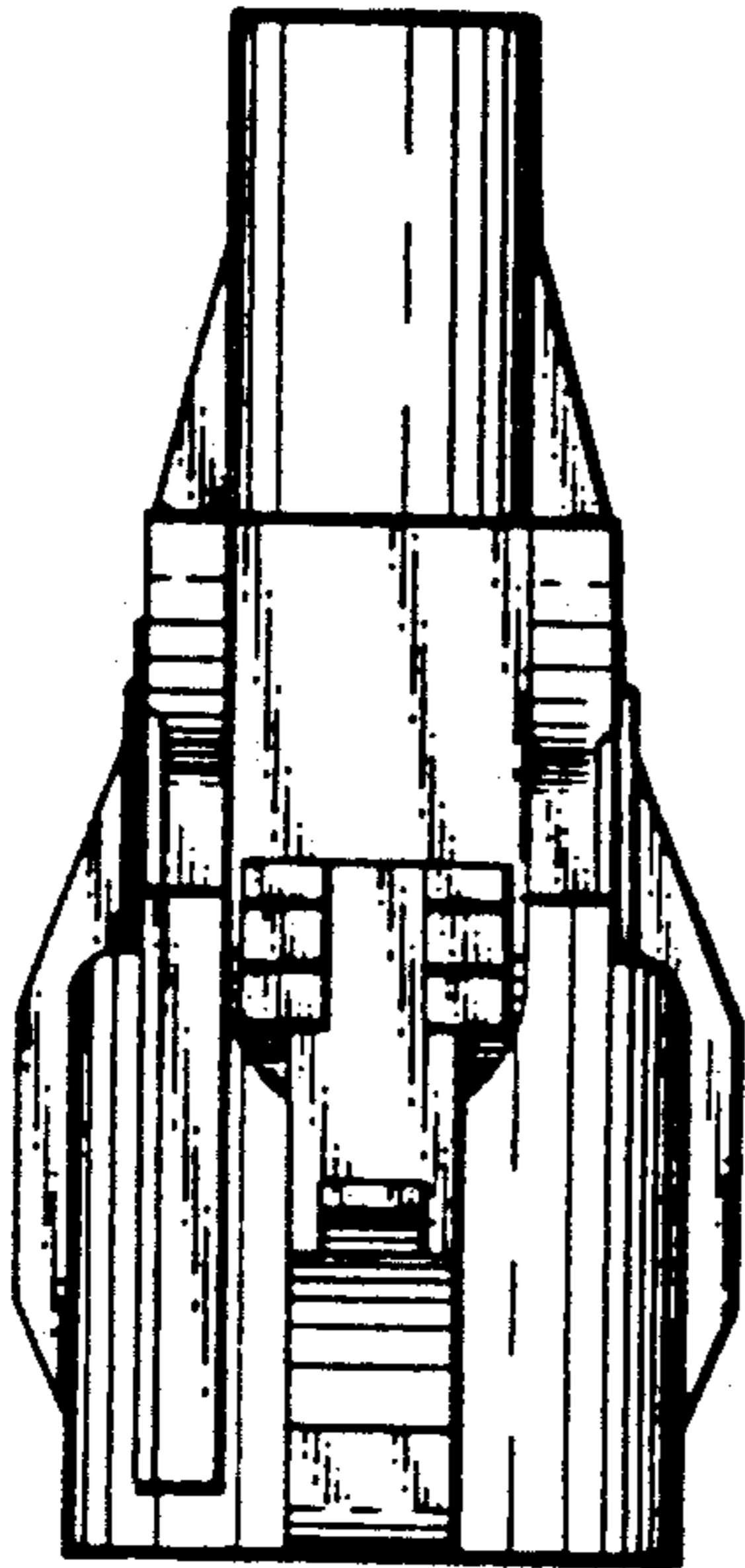


FIG. 3

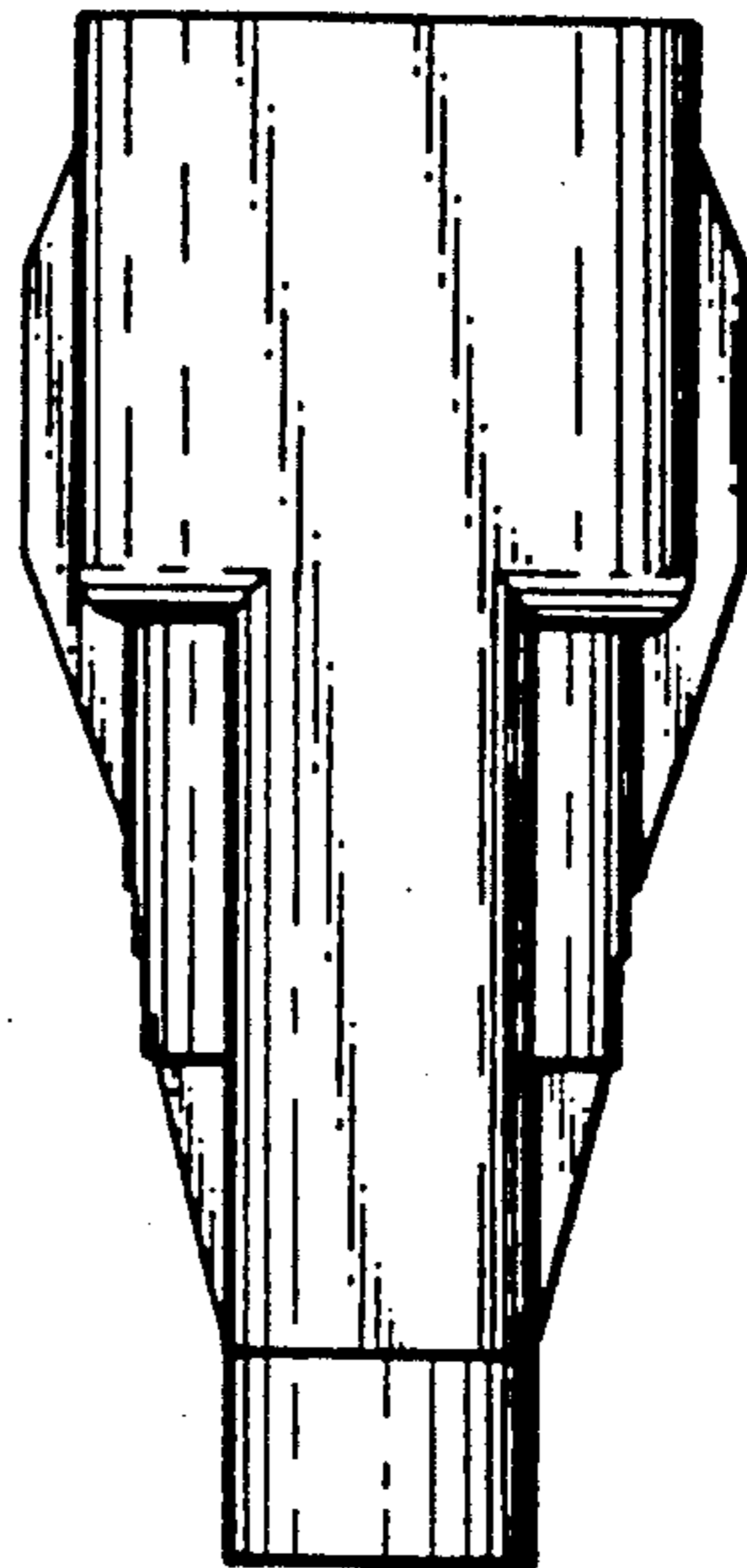


FIG. 2

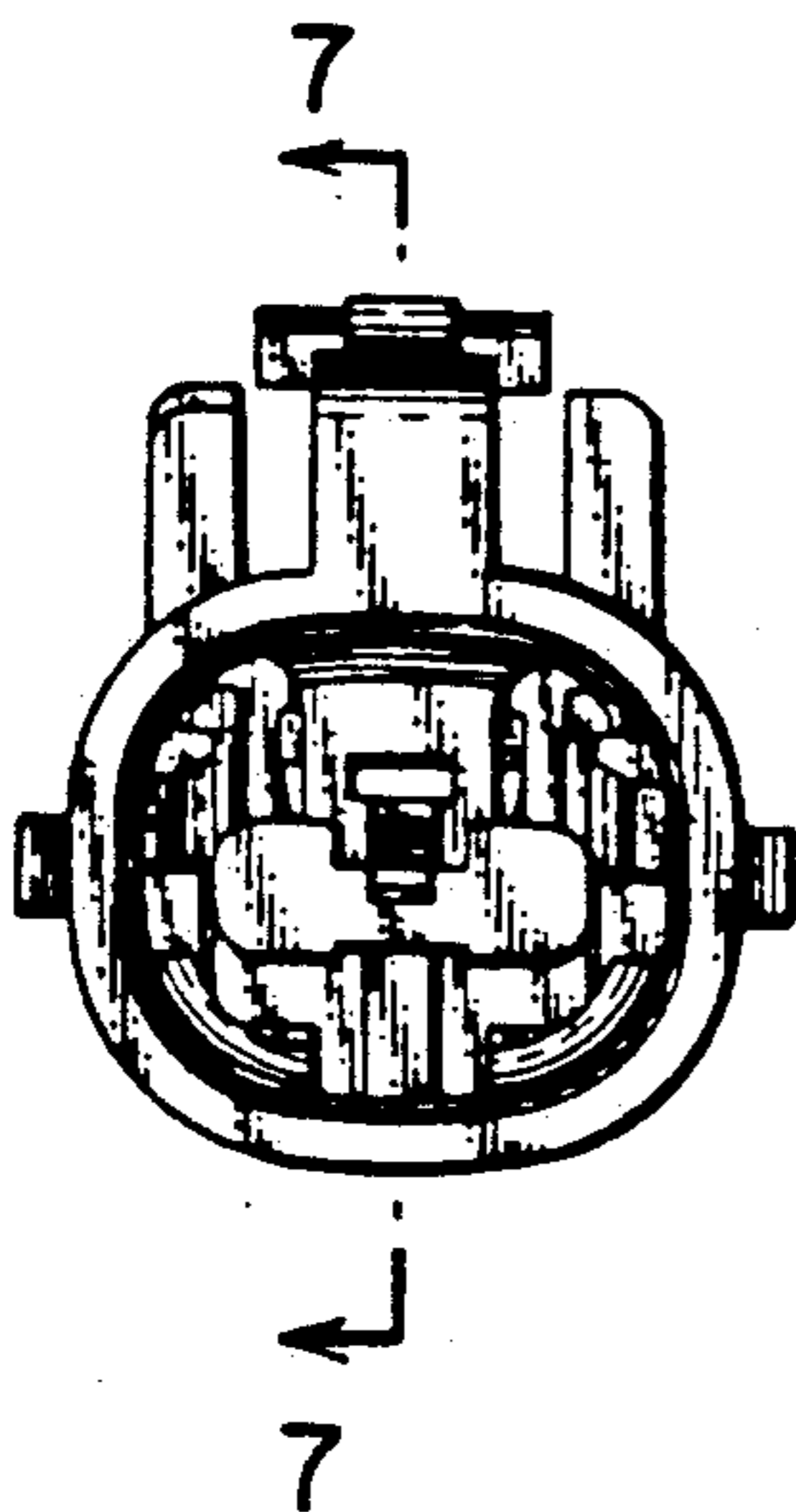


FIG. 4

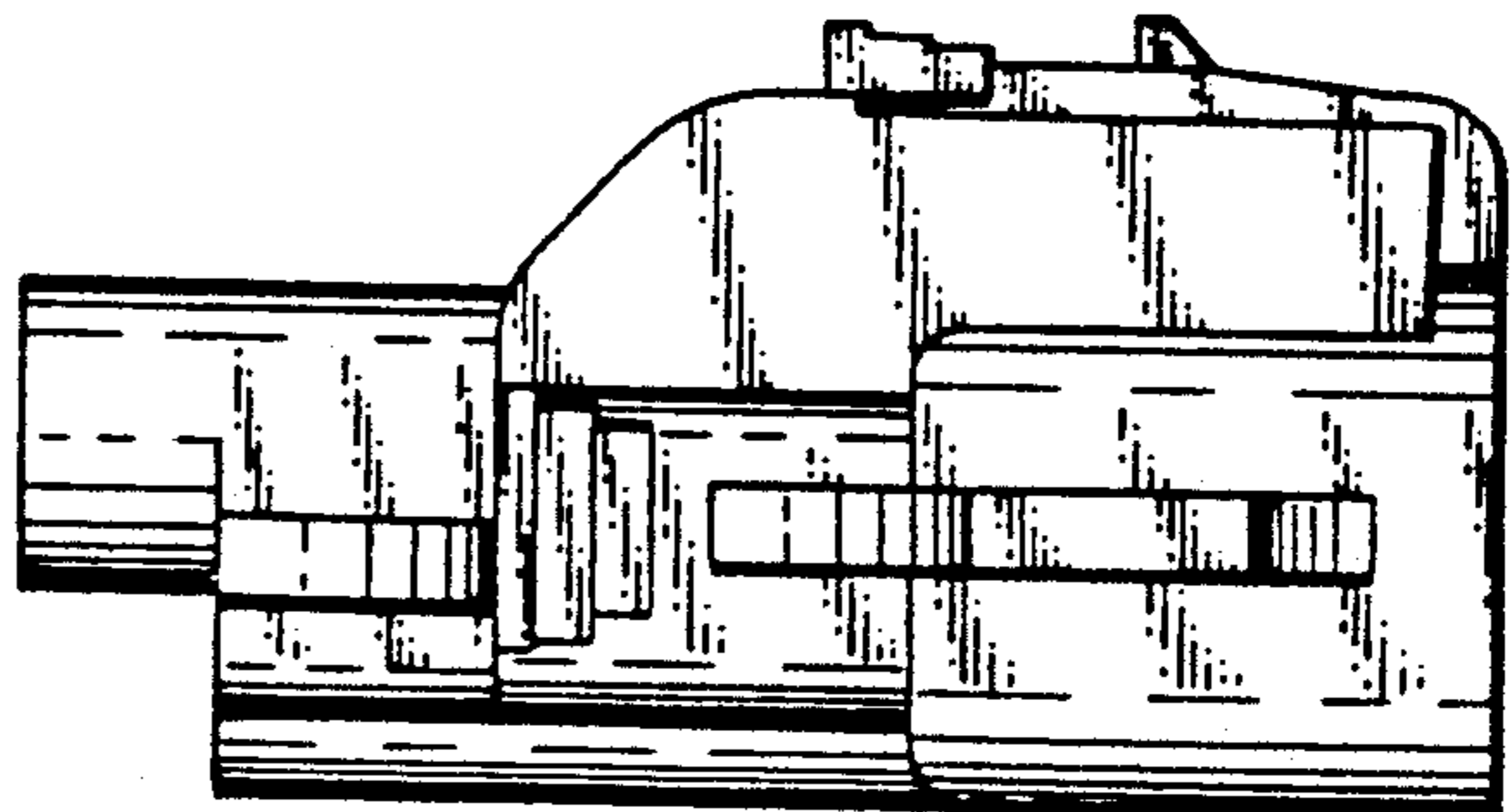


FIG. 5

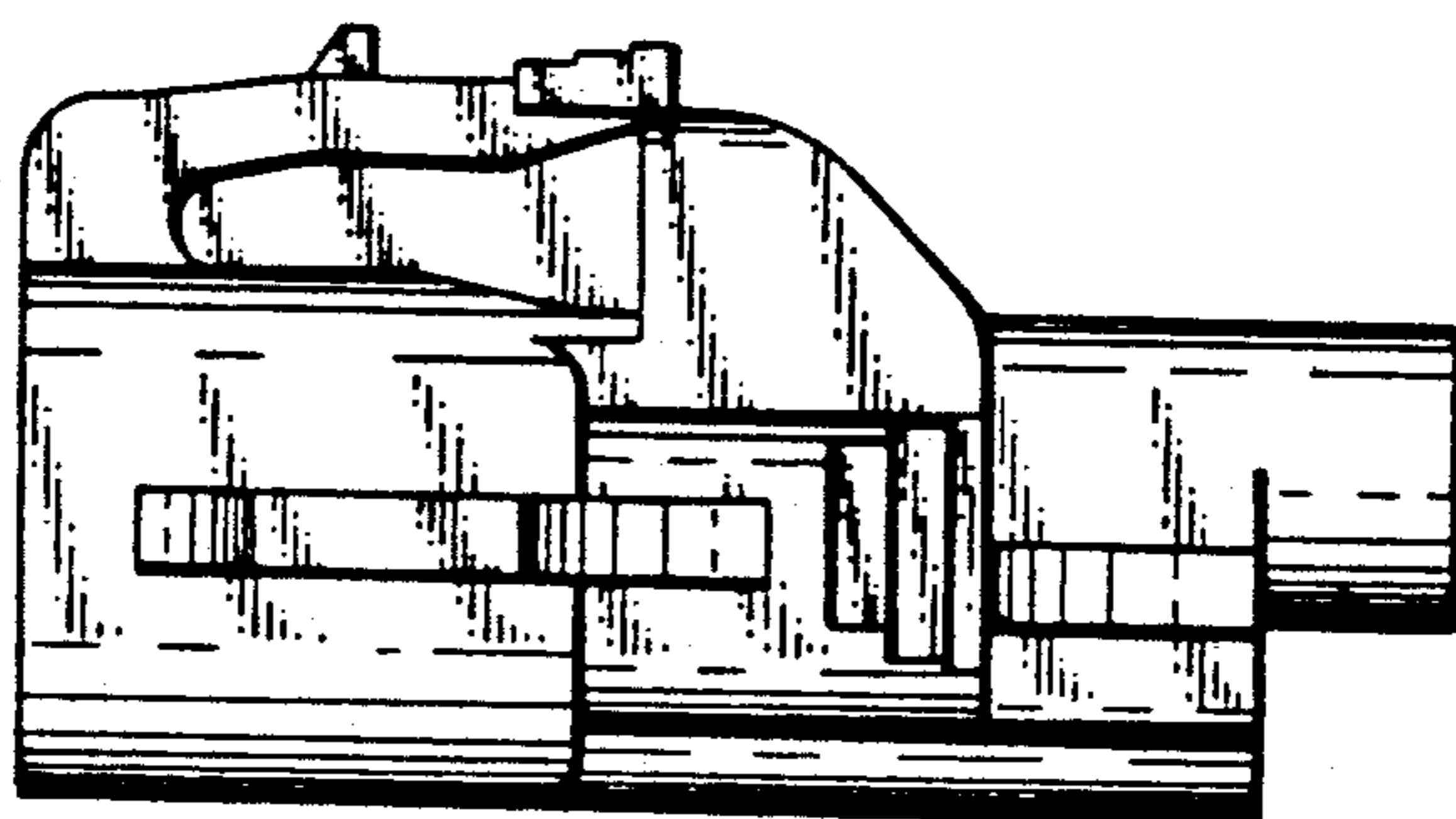


FIG. 6

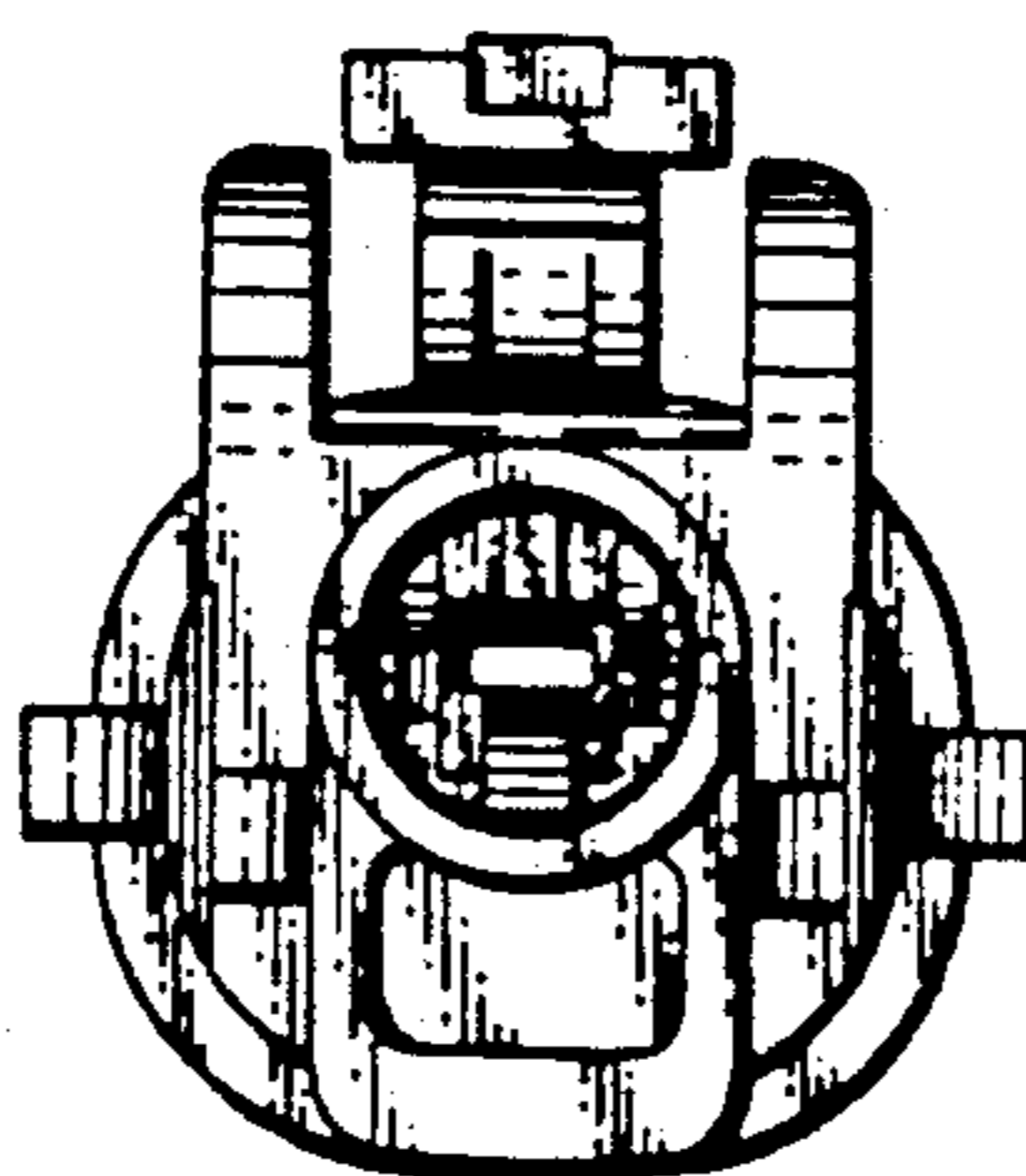


FIG. 7

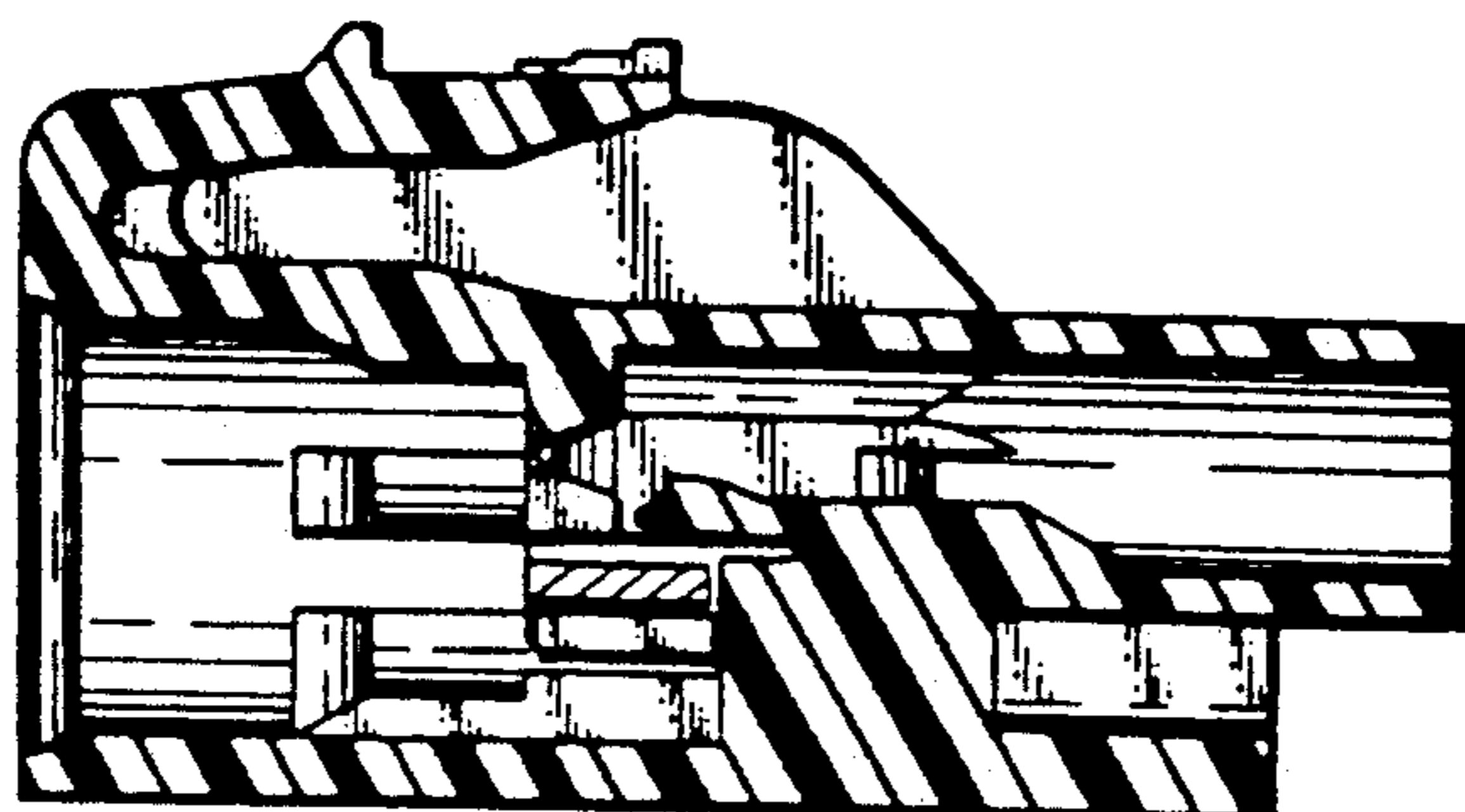


FIG. 8

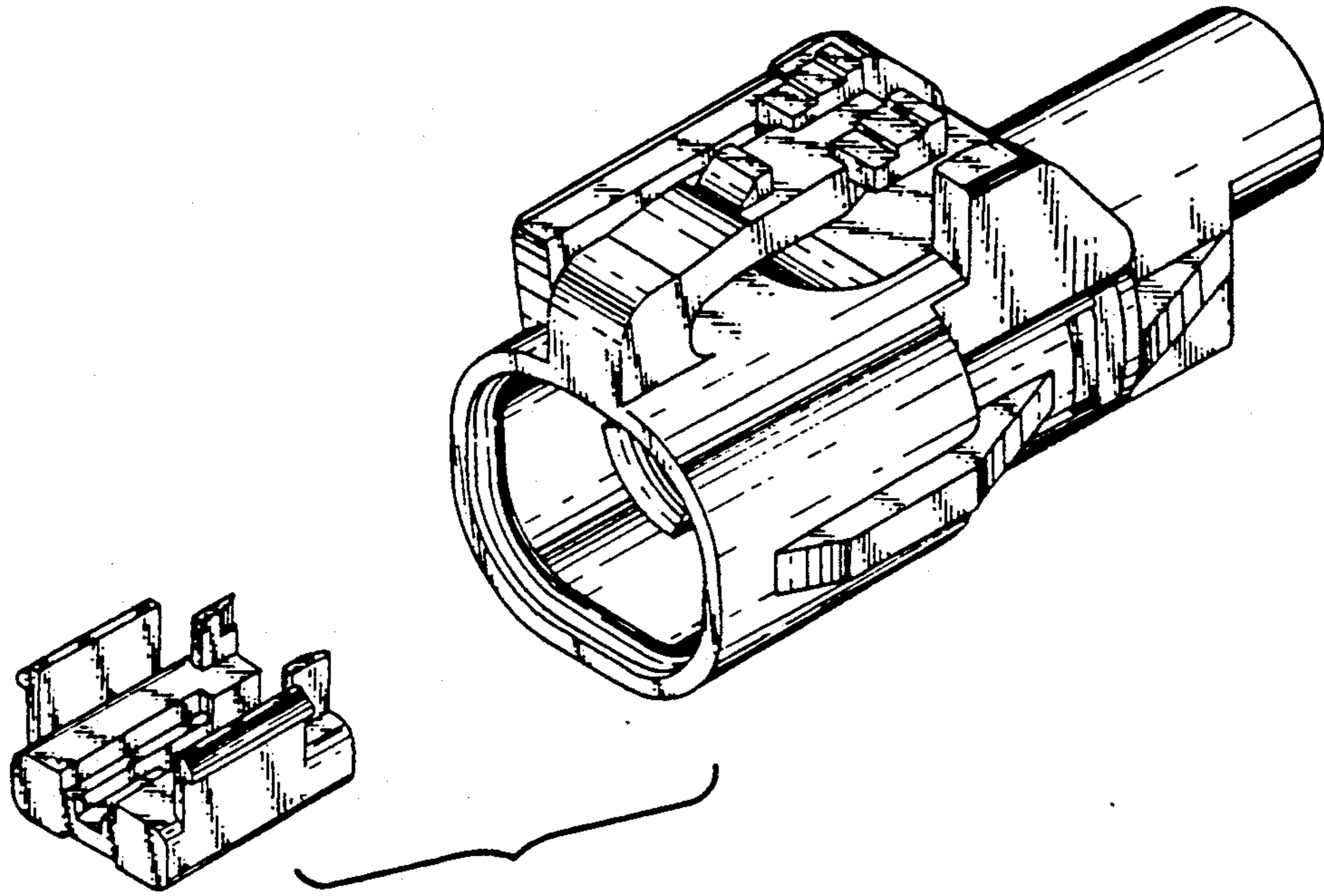


FIG. 9

