



US00D323809S

United States Patent [19]

[11] Patent Number: **Des. 323,809**

Ross, Jr.

[45] Date of Patent: **** Feb. 11, 1992**

[54] **BATTERY HOUSING**

[75] Inventor: **Grant D. Ross, Jr.**, Morgan Hill, Calif.

[73] Assignee: **Apple Computer, Inc.**, Cupertino, Calif.

[**] Term: **14 Years**

[21] Appl. No.: **326,206**

[22] Filed: **Mar. 20, 1989**

[52] U.S. Cl. **D13/103**

[58] Field of Search **D13/103, 184, 199; D14/137; 320/2, 3, 4; 455/127, 346; 429/96-100, 121, 123, 159, 176, 178**

[56] **References Cited**

U.S. PATENT DOCUMENTS

D. 208,717	9/1967	Scheid et al.	D13/103
D. 225,109	11/1972	Flider	D13/119
D. 292,913	11/1987	Shaper	D13/103
D. 295,511	5/1988	Scheid et al.	D13/103
D. 295,739	5/1988	Lanci et al.	D13/103
D. 299,226	1/1989	Toth et al.	D13/103
D. 304,439	11/1989	Mitchell et al.	D13/103

3,887,394	6/1975	Kate	220/4.21
4,334,214	6/1982	Satou et al.	455/127 X
4,646,027	2/1987	Hughes	455/95 X
4,653,115	3/1987	Holcomb	455/90 X

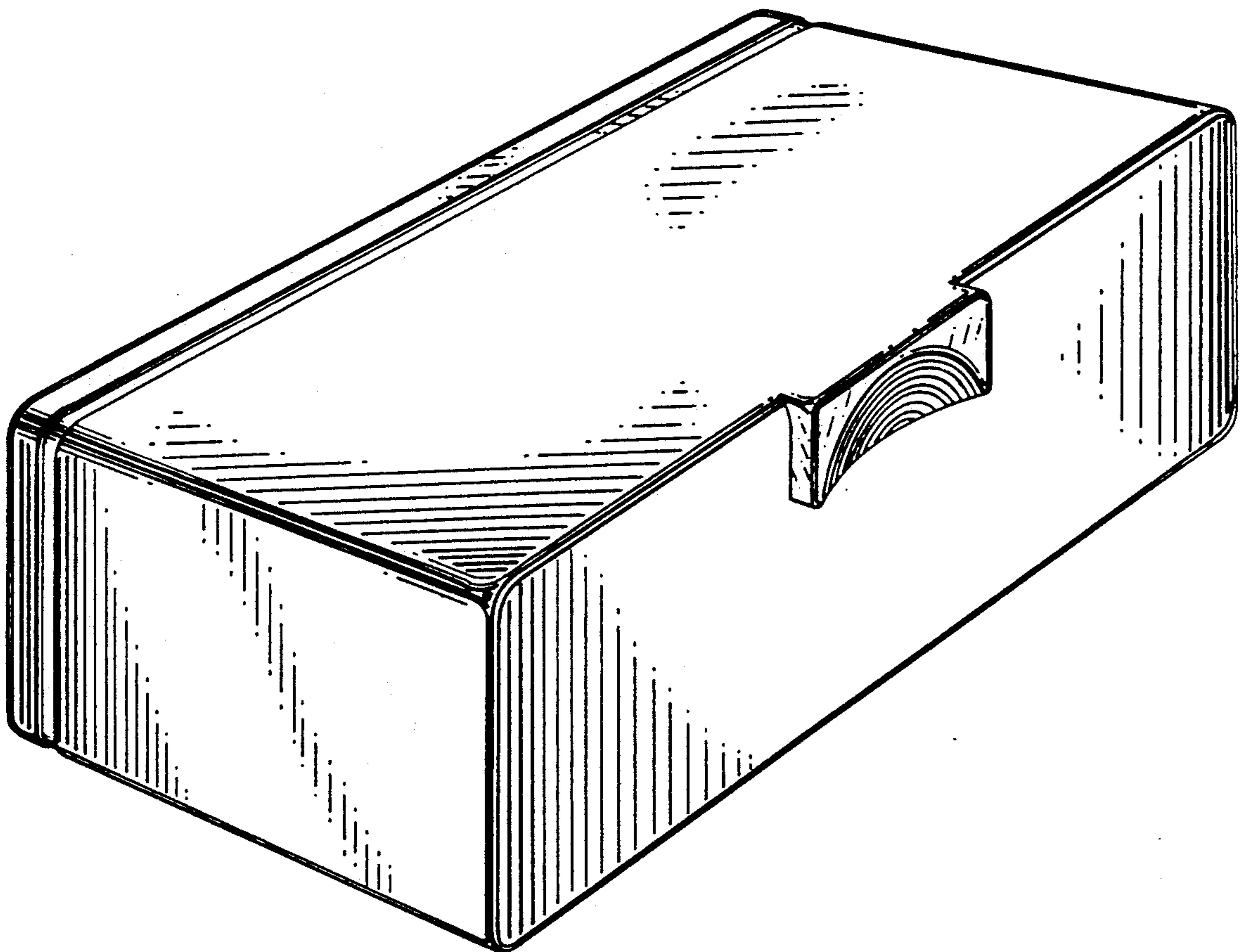
Primary Examiner--Susan J. Lucas
Assistant Examiner—J. Sincavage
Attorney, Agent, or Firm—Franklyn C. Weiss

[57] **CLAIM**

The ornamental design for the battery housing, as shown and described.

DESCRIPTION

FIG. 1 is a top, front perspective view of a battery housing showing my new design;
FIG. 2 is a front elevational view thereof;
FIG. 3 is a right side elevational view thereof;
FIG. 4 is a left side elevational view thereof; and
FIG. 5 is a rear elevational view thereof;
FIG. 6 is a top plan view thereof;
FIG. 7 is a bottom view thereof; and
FIG. 8 is a rear and lower left perspective view of a battery housing showing my new design on a slightly reduced scale.



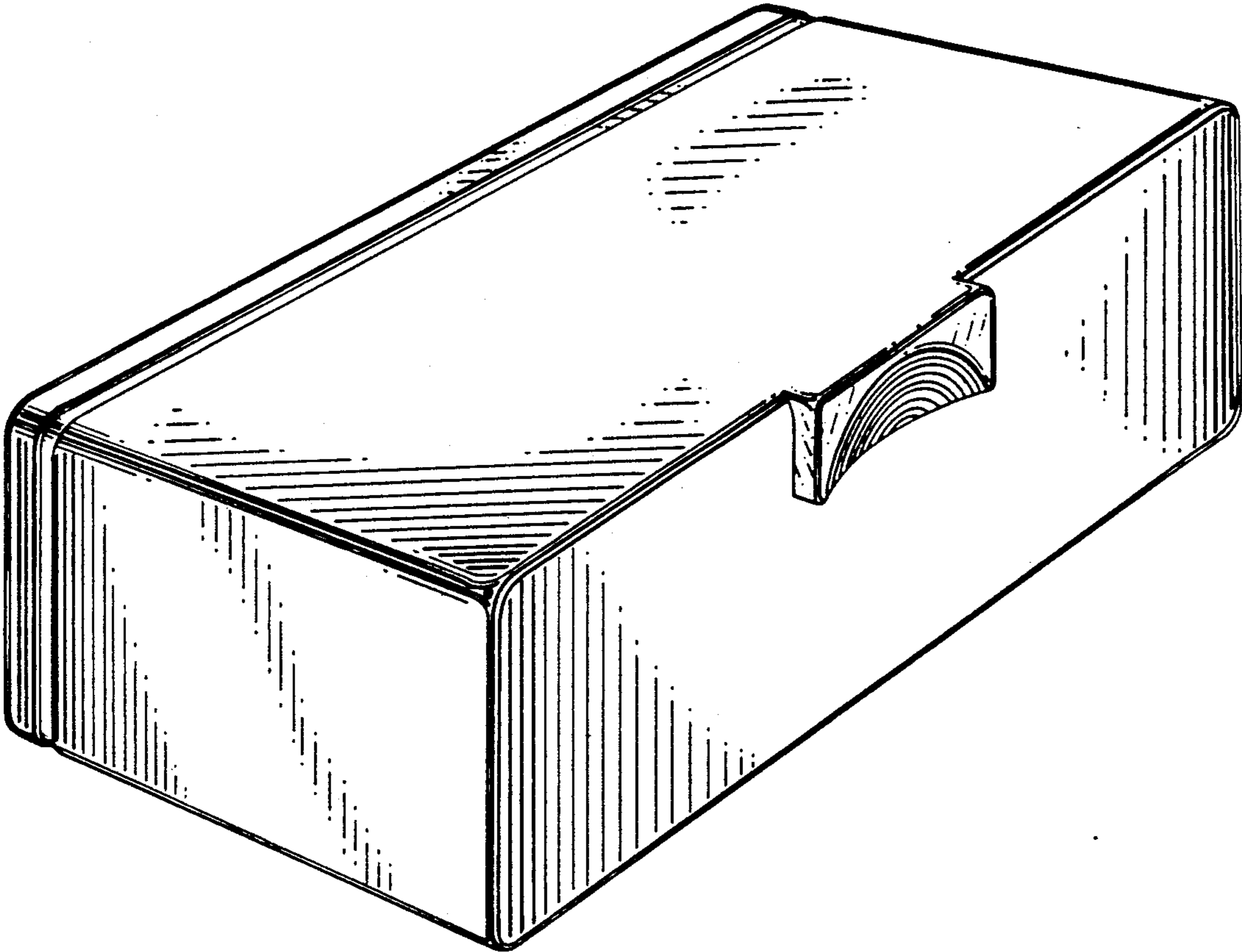


FIG 1

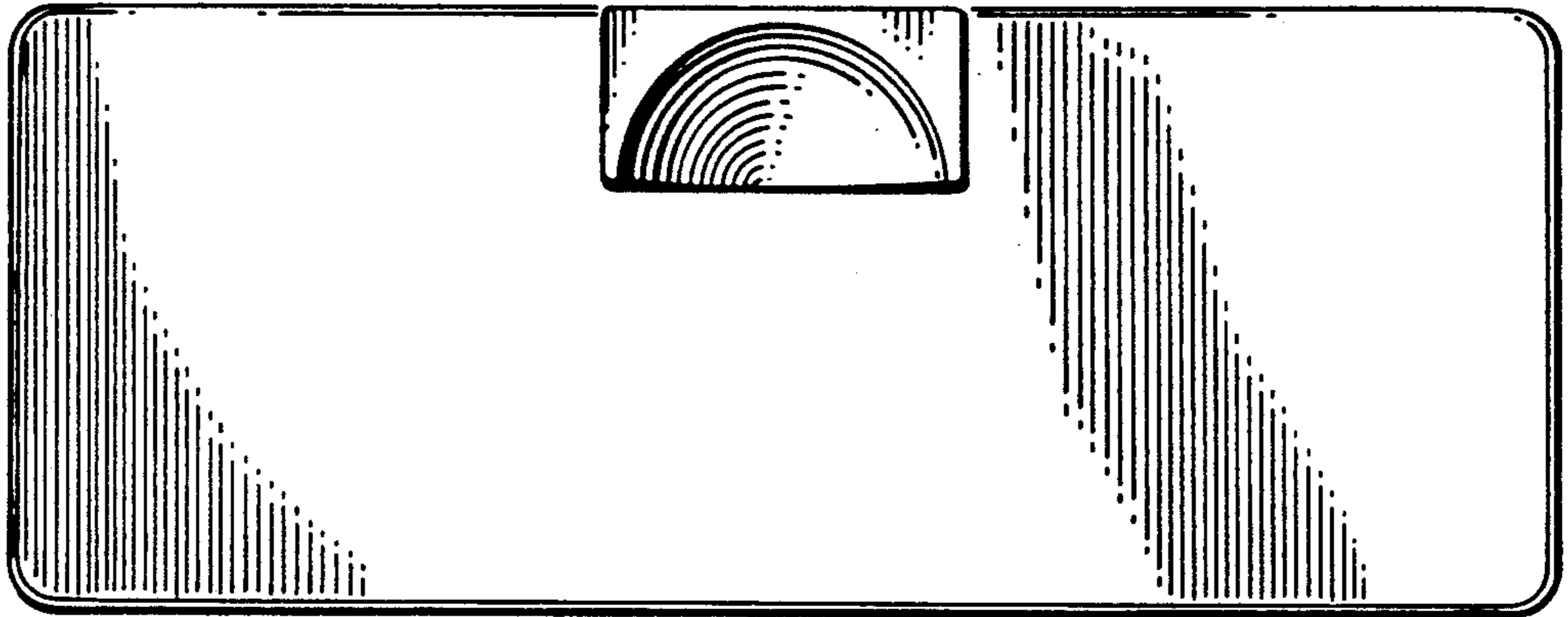


FIG 2

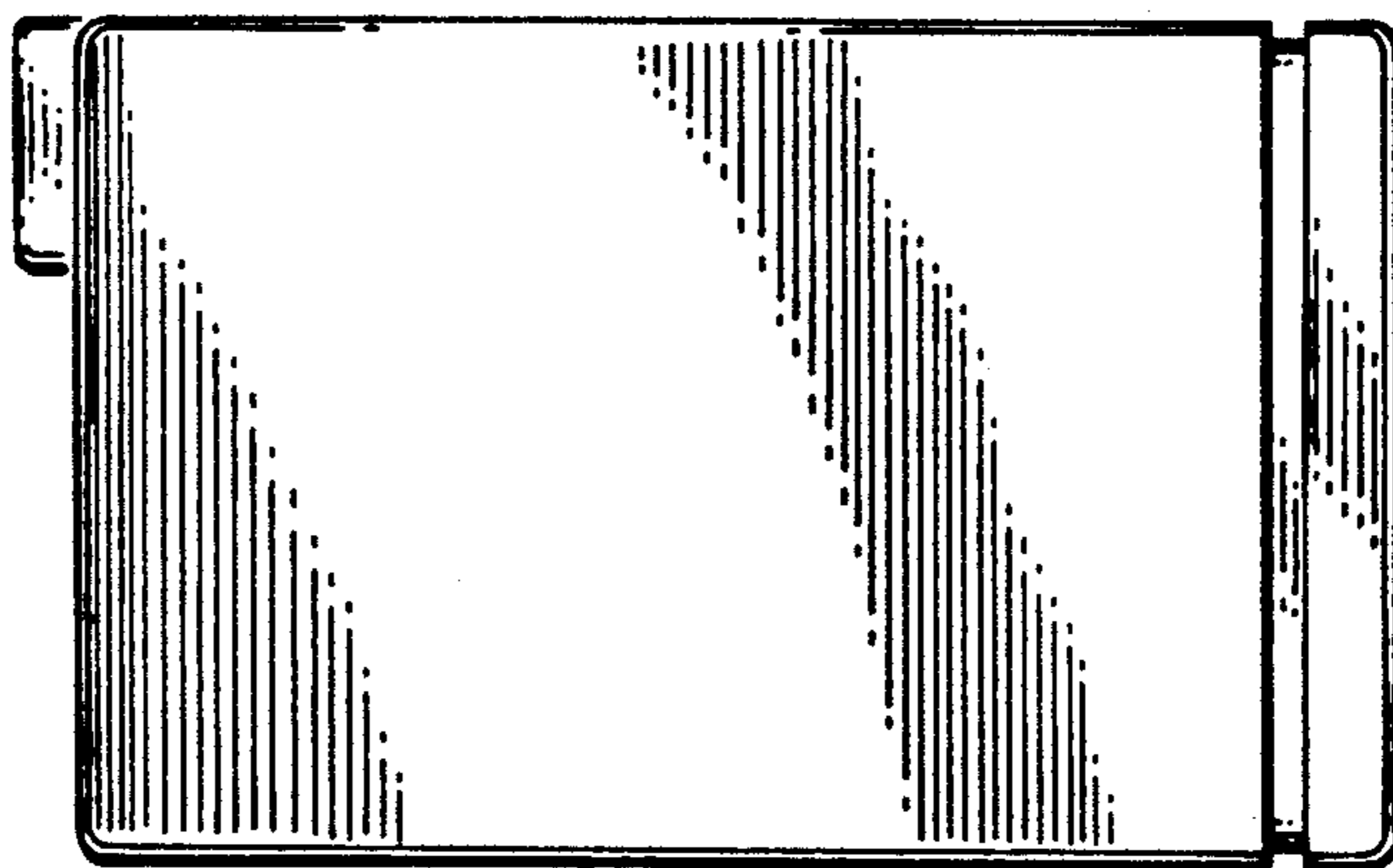


FIG 3

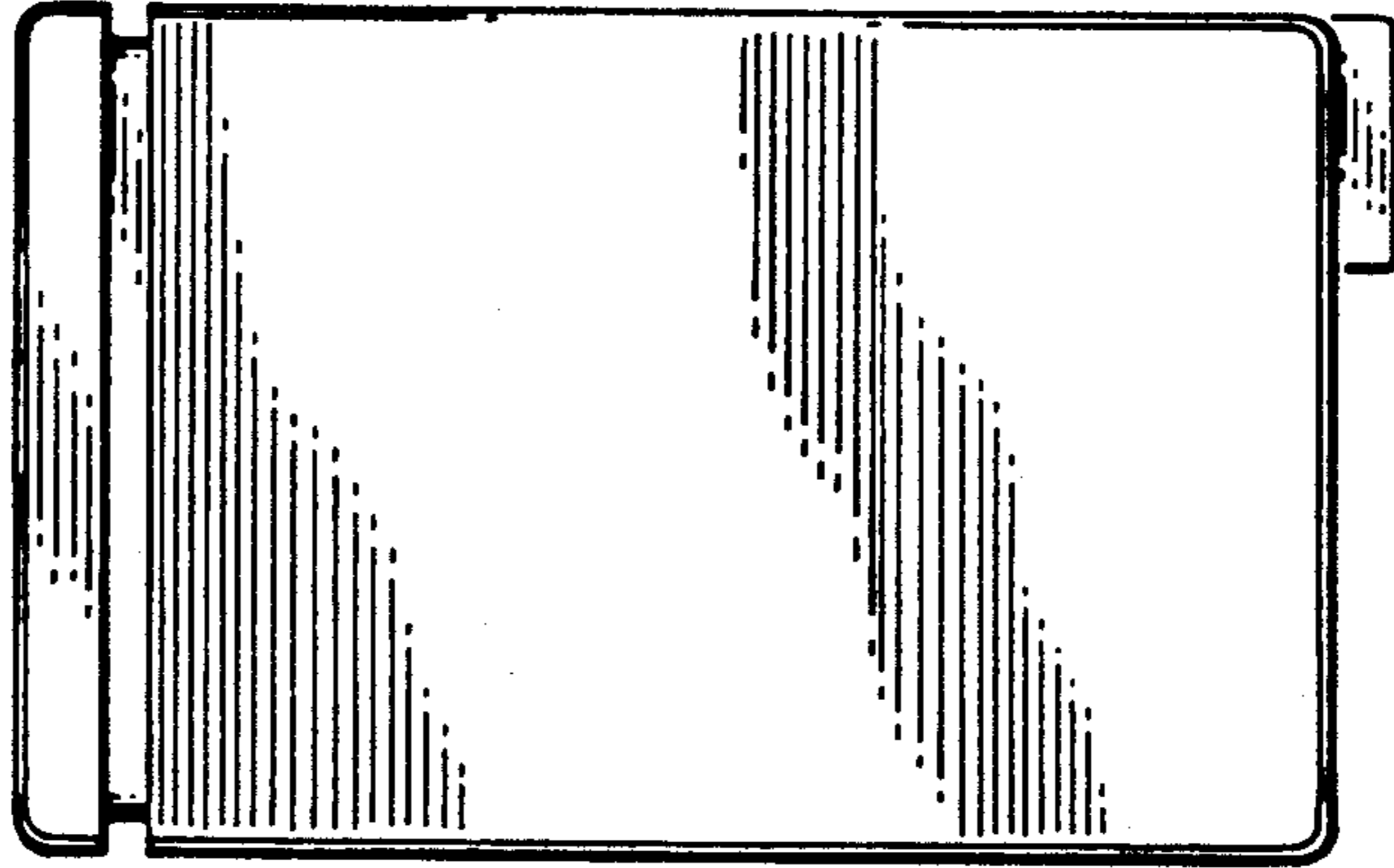


FIG 4

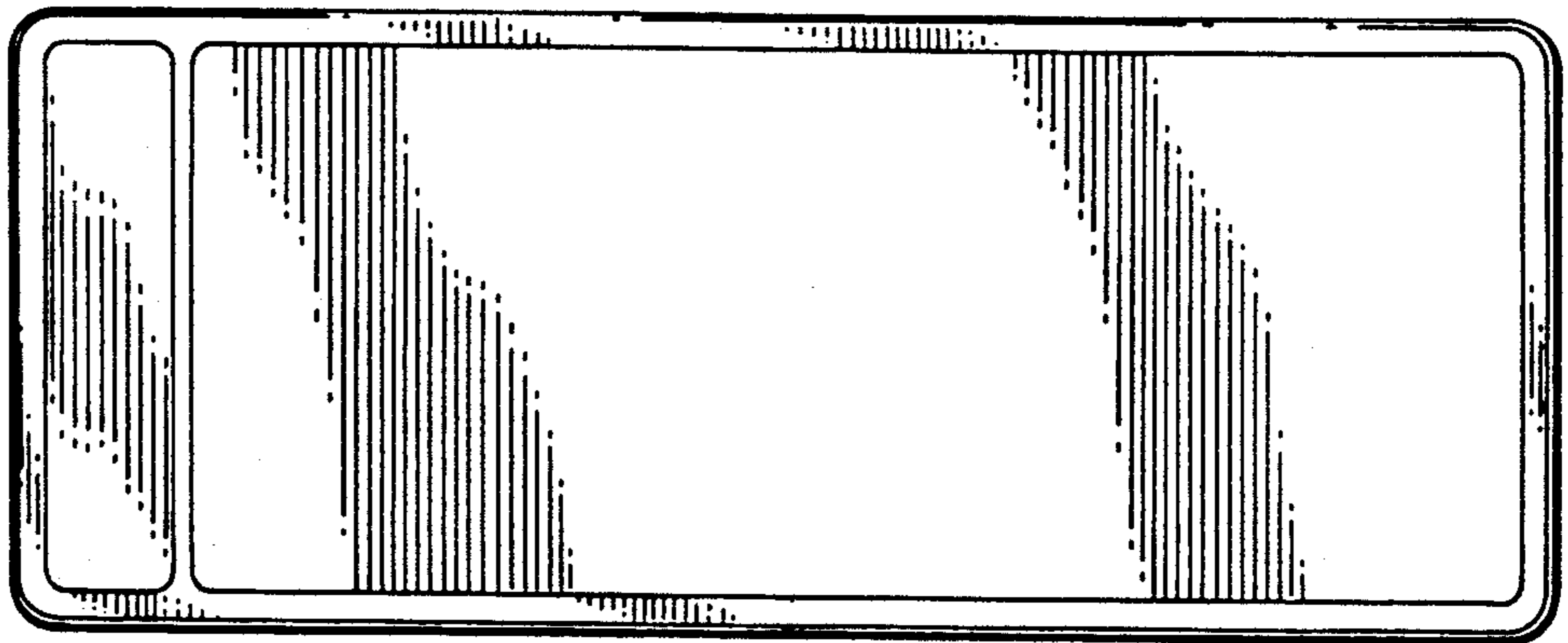


FIG 5

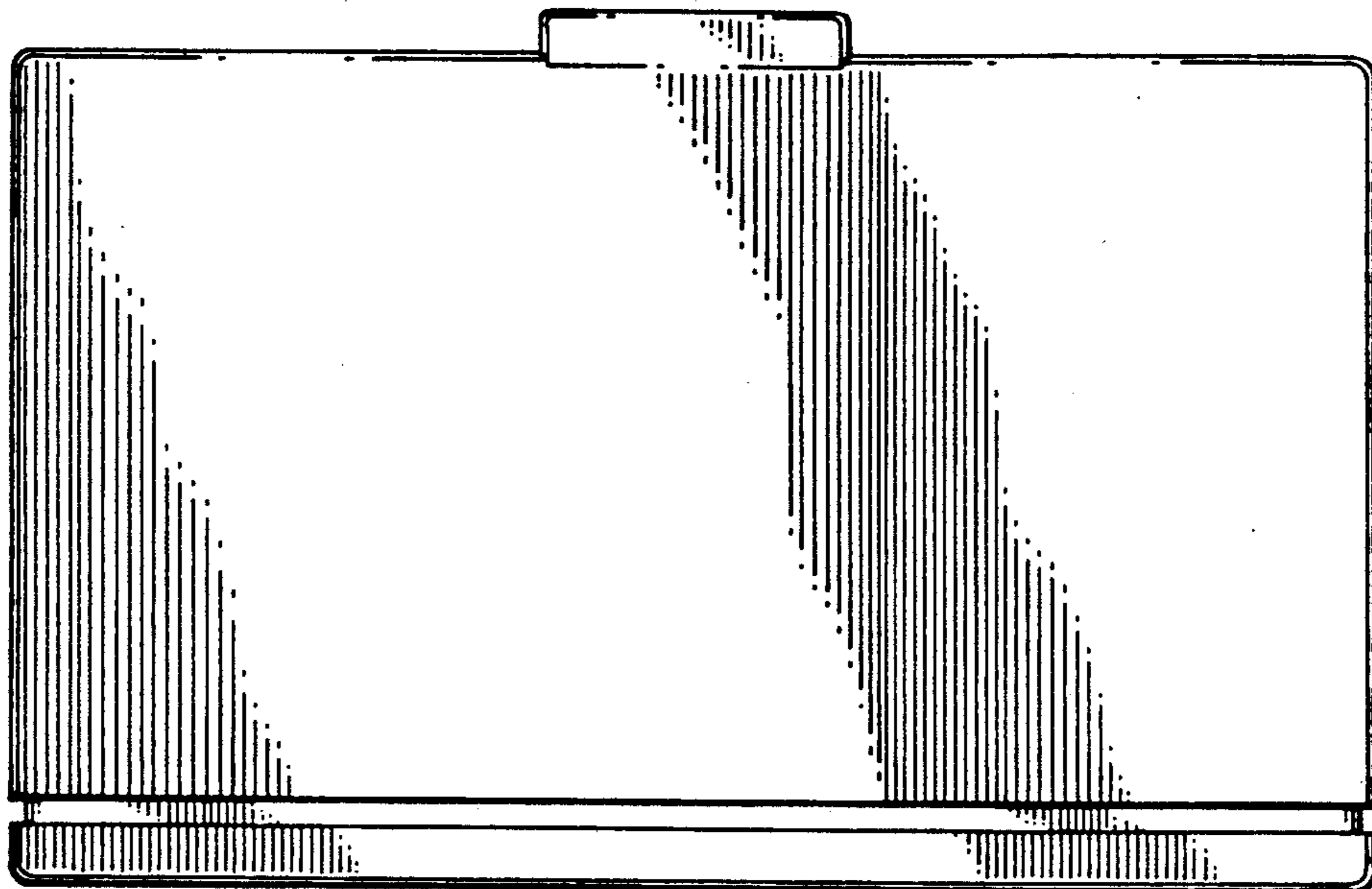


FIG 6

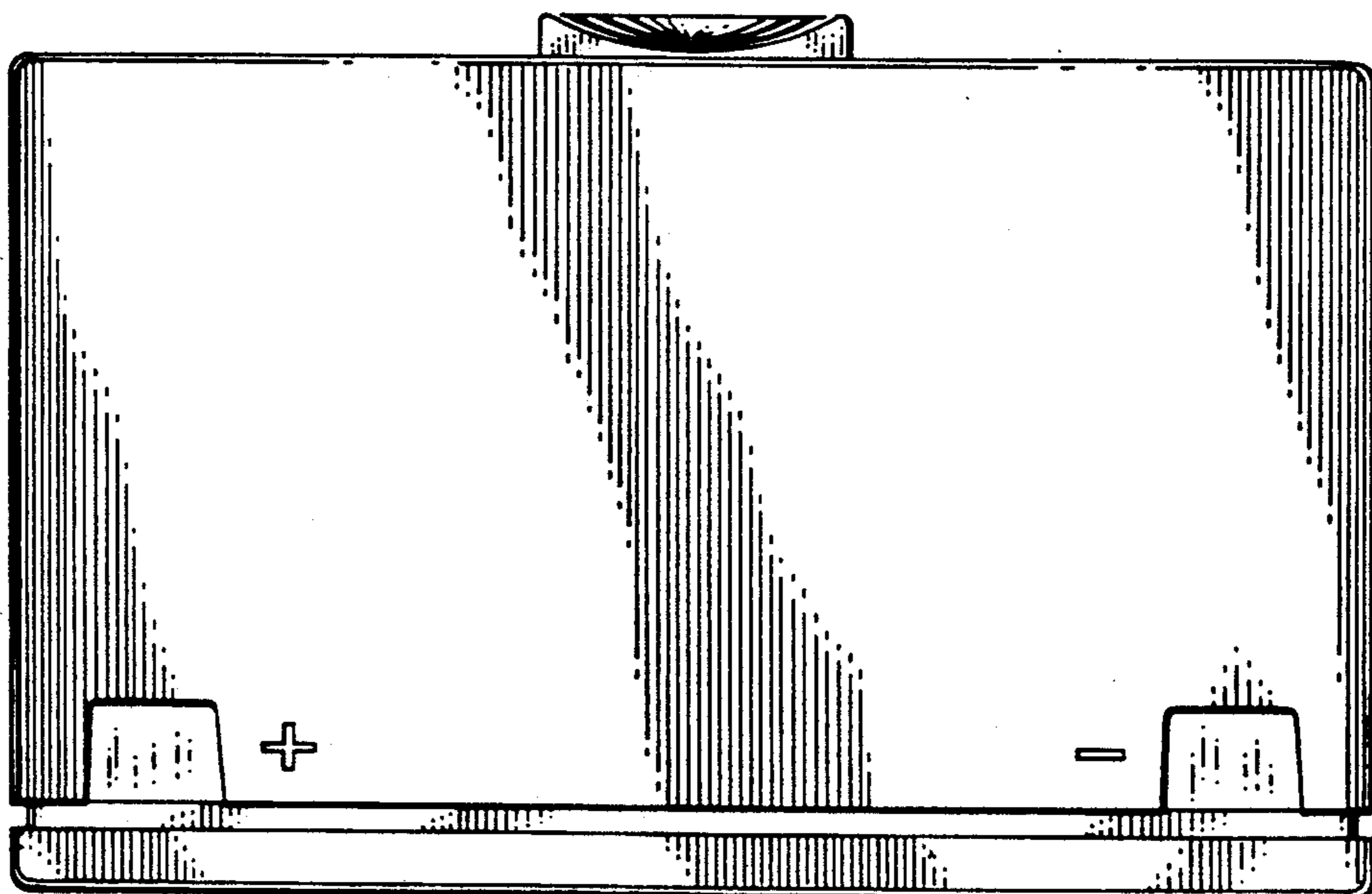


FIG 7

FIG 8

