



US00D323808S

United States Patent [19]

[11] Patent Number: Des. 323,808

DeSantis

[45] Date of Patent: ** Feb. 11, 1992

[54] UNDERWATER VEHICLE

3,466,798 9/1969 Speers et al. 114/312
3,929,533 12/1975 Horn 114/312

[76] Inventor: Albert DeSantis, 7929 NW. 3 Pl.,
Margate, Fla. 33063

Primary Examiner—Kay H. Chin
Attorney, Agent, or Firm—M. K. Silverman

[**] Term: 14 Years

[57] CLAIM

[21] Appl. No.: 575,785

The ornamental design for an underwater vehicle, as shown and described.

[22] Filed: Aug. 31, 1990

[52] U.S. Cl. D12/308; D12/300

DESCRIPTION

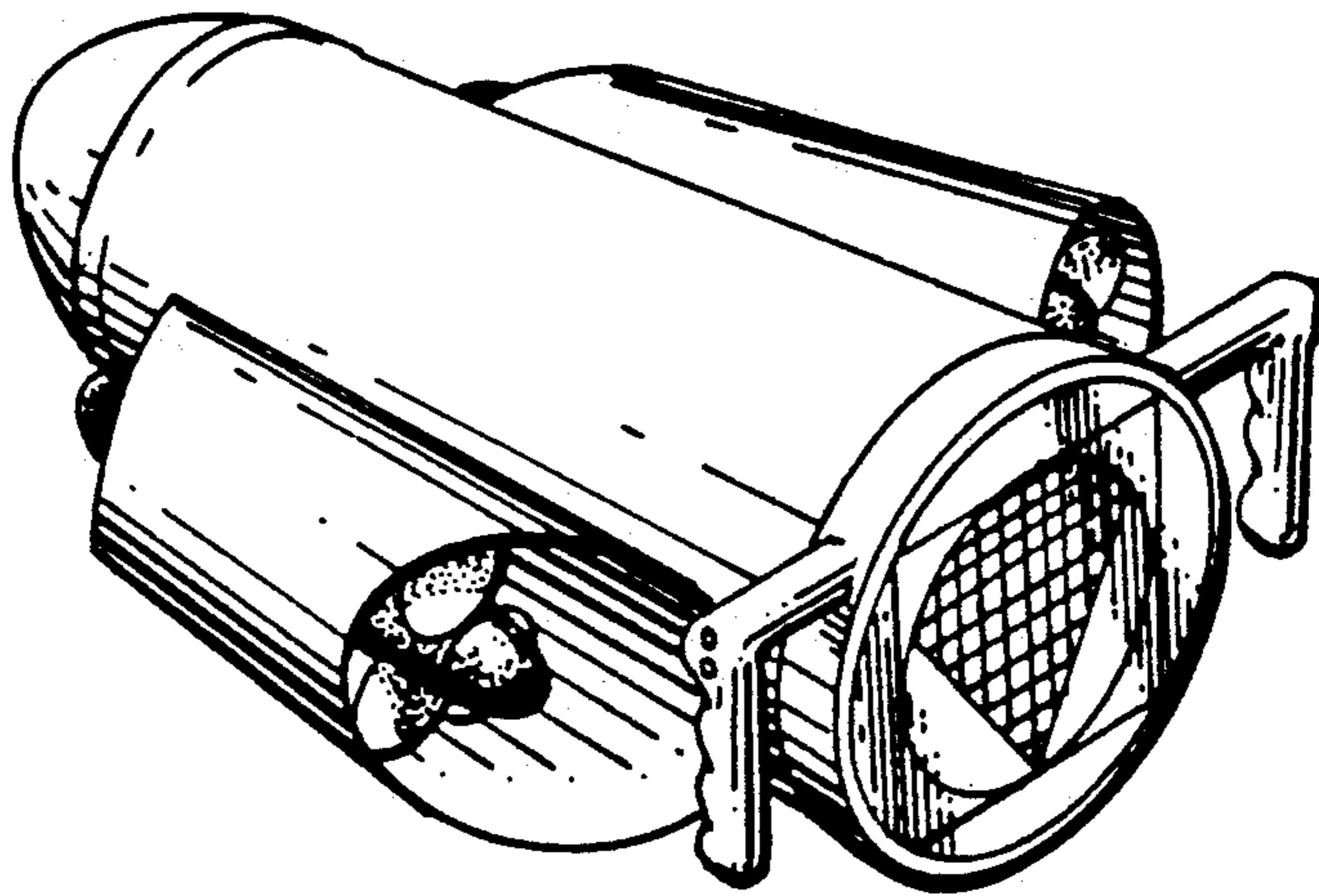
[58] Field of Search D12/308, 300; 114/321,
114/322, 331, 312, 332

FIG. 1 is a top and rear perspective view of an underwater vehicle showing my new design;
FIG. 2 is a top plan view thereof;
FIG. 3 is a right side elevational view thereof, the left side view being a mirror image of that shown;
FIG. 4 is a bottom plan view thereof;
FIG. 5 is a rear elevational view thereof; and
FIG. 6 is a front elevational view thereof.

[56] References Cited

U.S. PATENT DOCUMENTS

- D. 242,642 12/1976 Henning D12/308
- D. 291,299 8/1987 Hawkes D12/308
- D. 304,923 12/1989 Pado D12/308



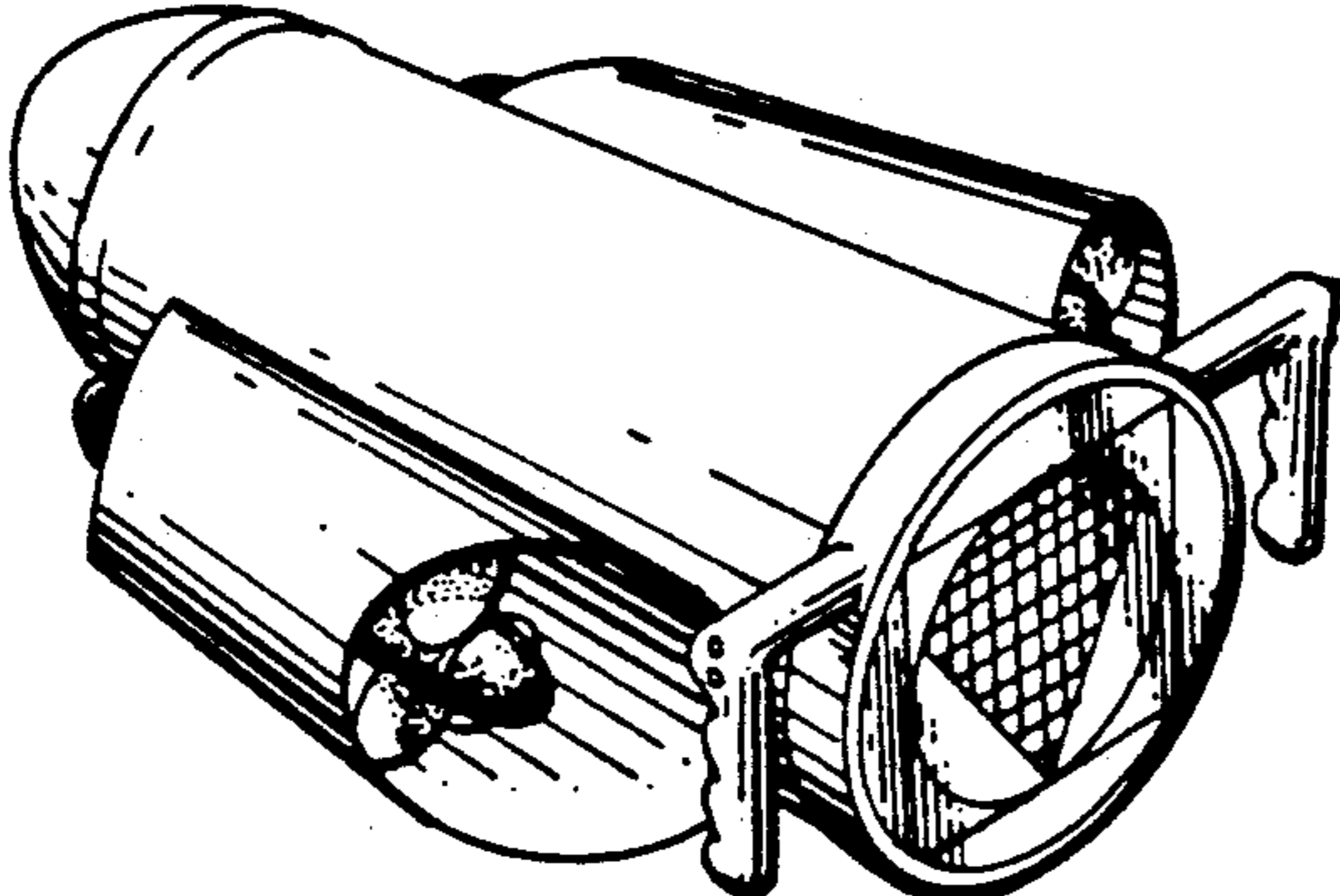


FIG.1

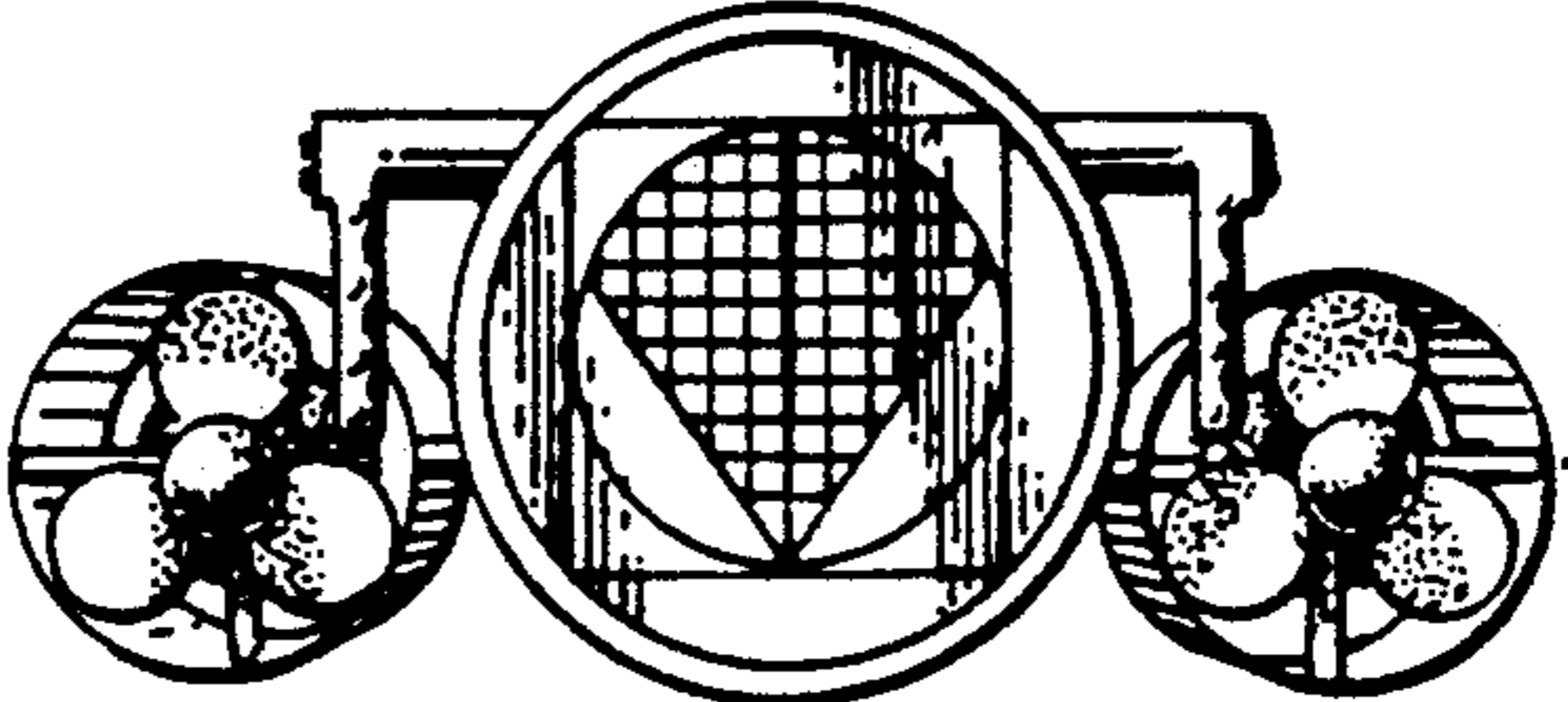


FIG.5

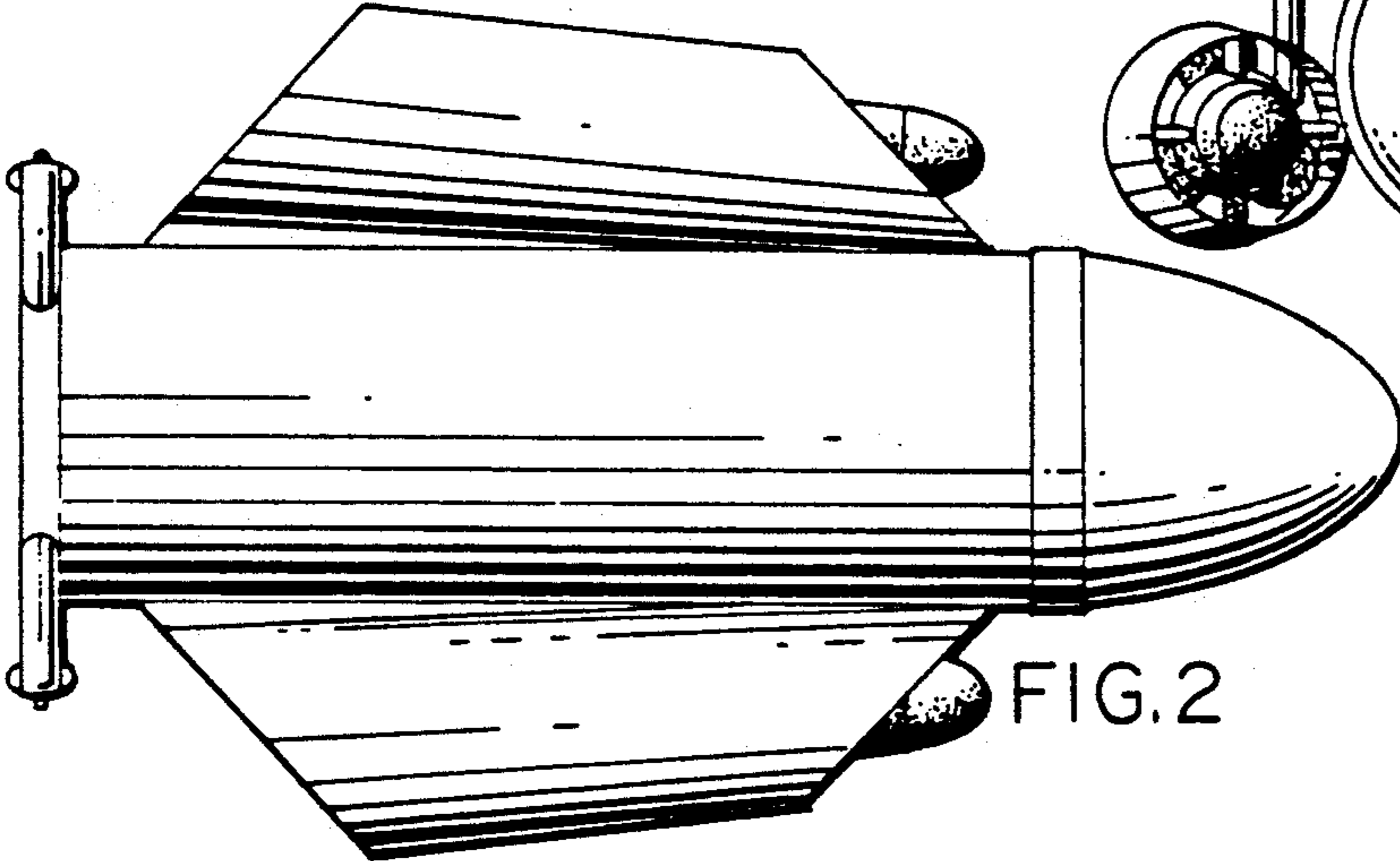


FIG.2

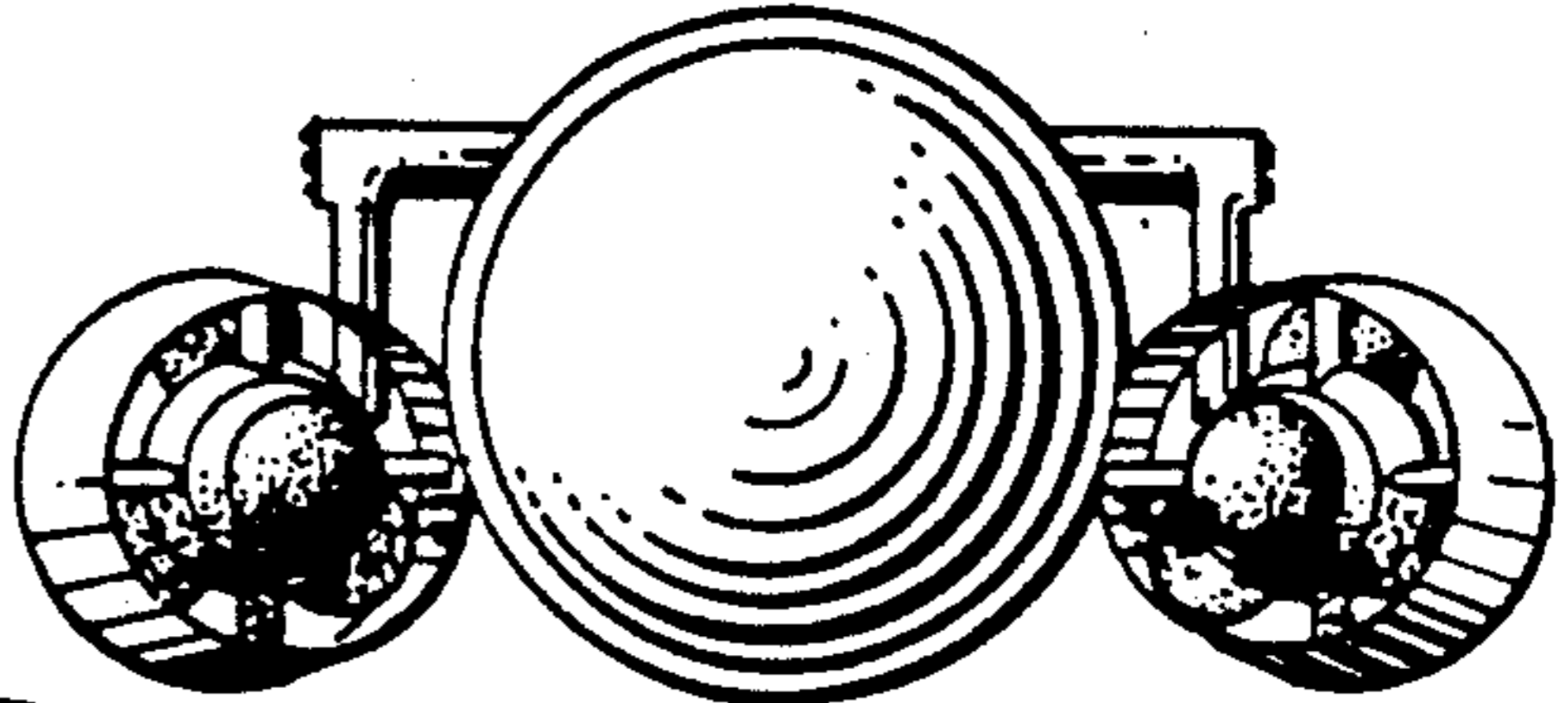


FIG.6

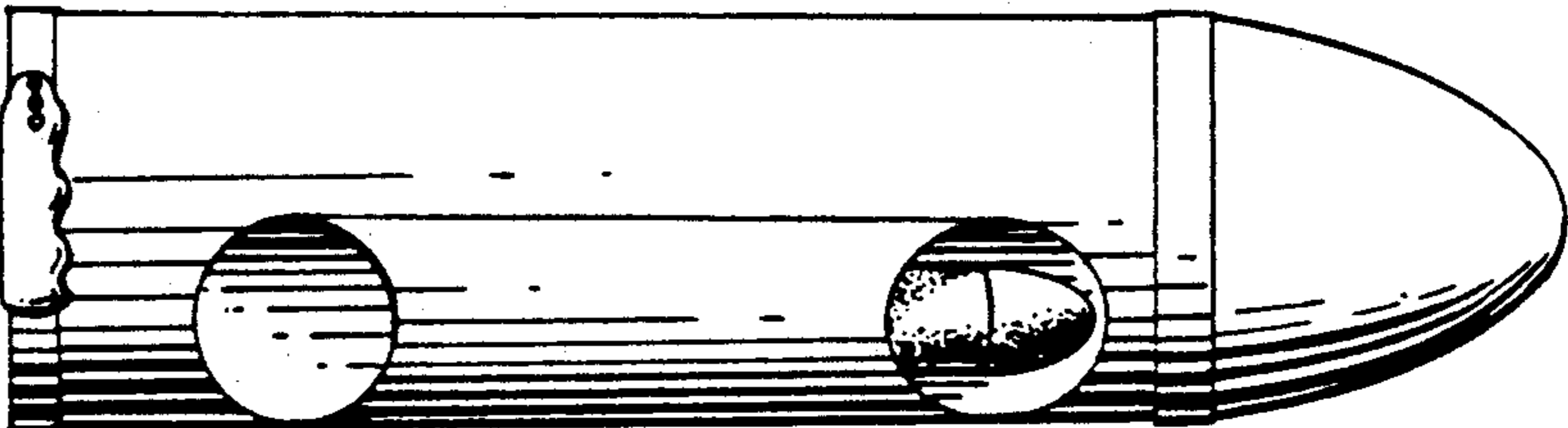


FIG.3

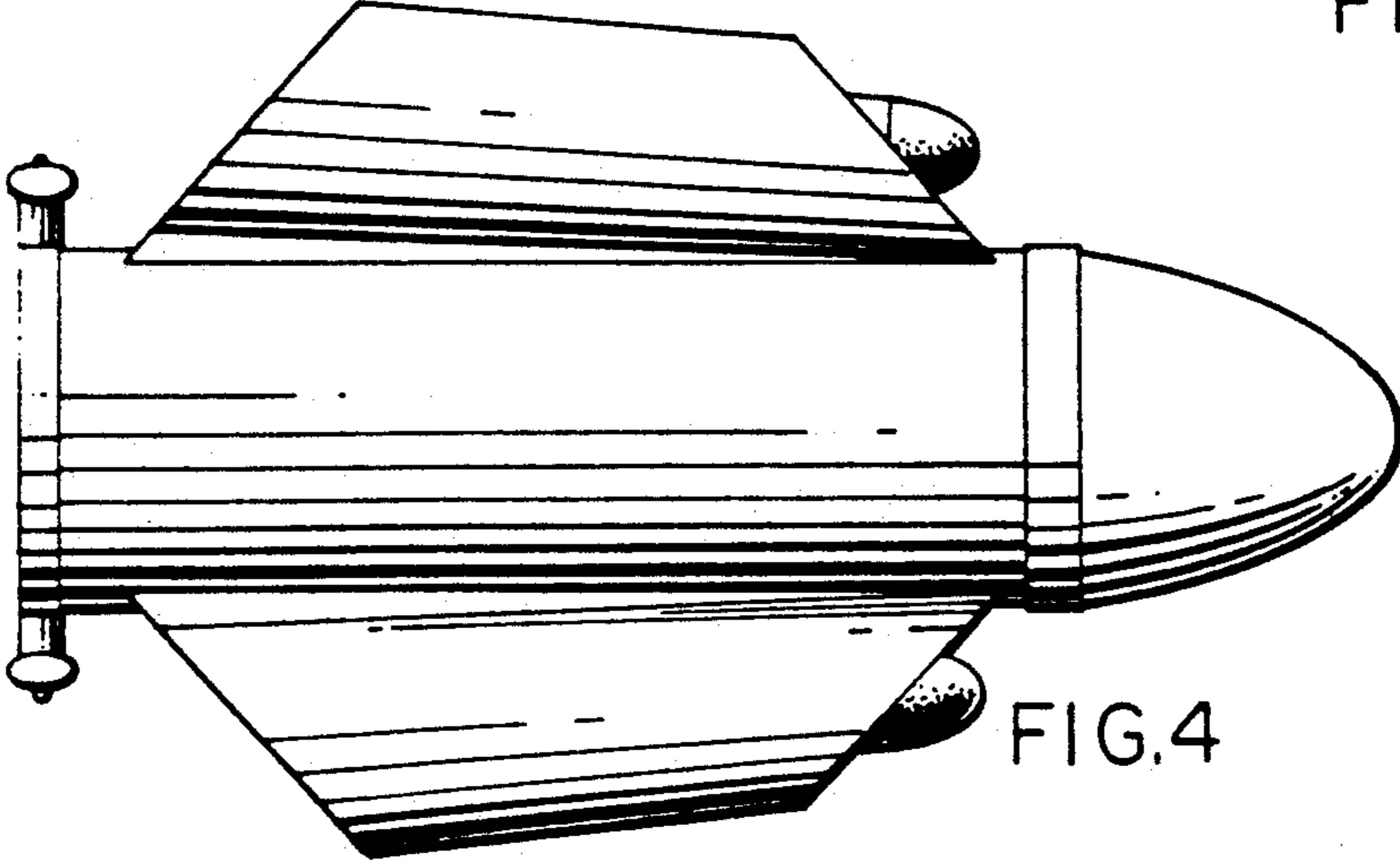


FIG.4