



US00D323805S

# United States Patent [19]

[11] Patent Number: Des. 323,805

Giard, Jr.

[45] Date of Patent: \*\* Feb. 11, 1992

## [54] BICYCLE HANDLEBAR

[75] Inventor: Edward H. Giard, Jr., Oak Park, Ill.

[73] Assignee: Profile for Speed, Inc., Chicago, Ill.

[\*\*] Term: 14 Years

[21] Appl. No.: 537,742

[22] Filed: Jun. 13, 1990

[52] U.S. Cl. .... D12/178; 74/551.1

[58] Field of Search ..... D12/178, 111; 74/551.1,  
74/551.8, 551.9

## [56] References Cited

### U.S. PATENT DOCUMENTS

1,448,921	3/1923	Ershkowitz .....	D12/178
4,878,397	11/1989	Lennon .....	74/551.8
4,930,798	6/1990	Yamazaki et al. ....	74/551.1

## OTHER PUBLICATIONS

Bike Nashbar, Christmas 1988, p. 38, the Scott Clip on Handlebars.

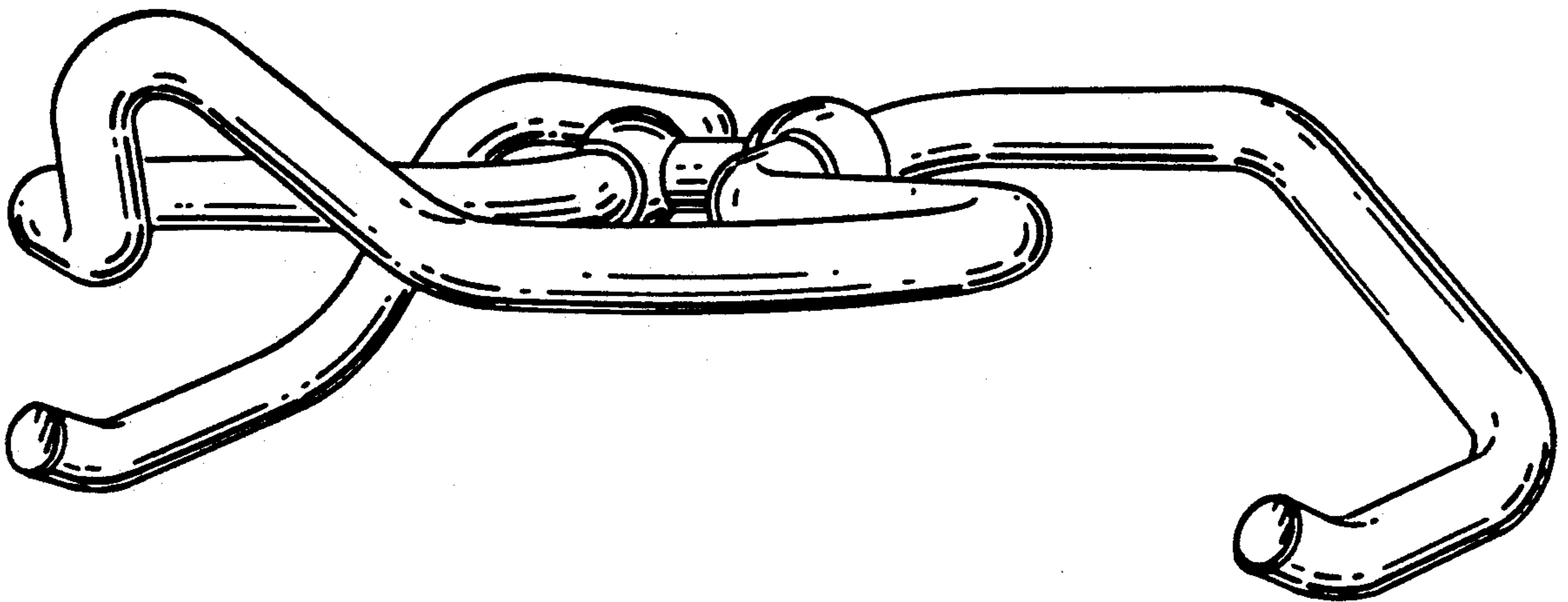
*Primary Examiner*—James M. Gandy  
*Assistant Examiner*—Melody Brown  
*Attorney, Agent, or Firm*—Kinzer, Plyer, Dorn,  
McEachran & Jambor

## [57] CLAIM

The ornamental design for a bicycle handlebar, as shown and described.

## DESCRIPTION

FIG. 1 is a perspective view of a bicycle handlebar showing my new design;  
FIG. 2 is a top plan view thereof;  
FIG. 3 is a right side elevation view thereof, the left side being a mirror image of that shown;  
FIG. 4 is a front elevation view thereof;  
FIG. 5 is a rear elevation view thereof; and  
FIG. 6 is a bottom plan view thereof.



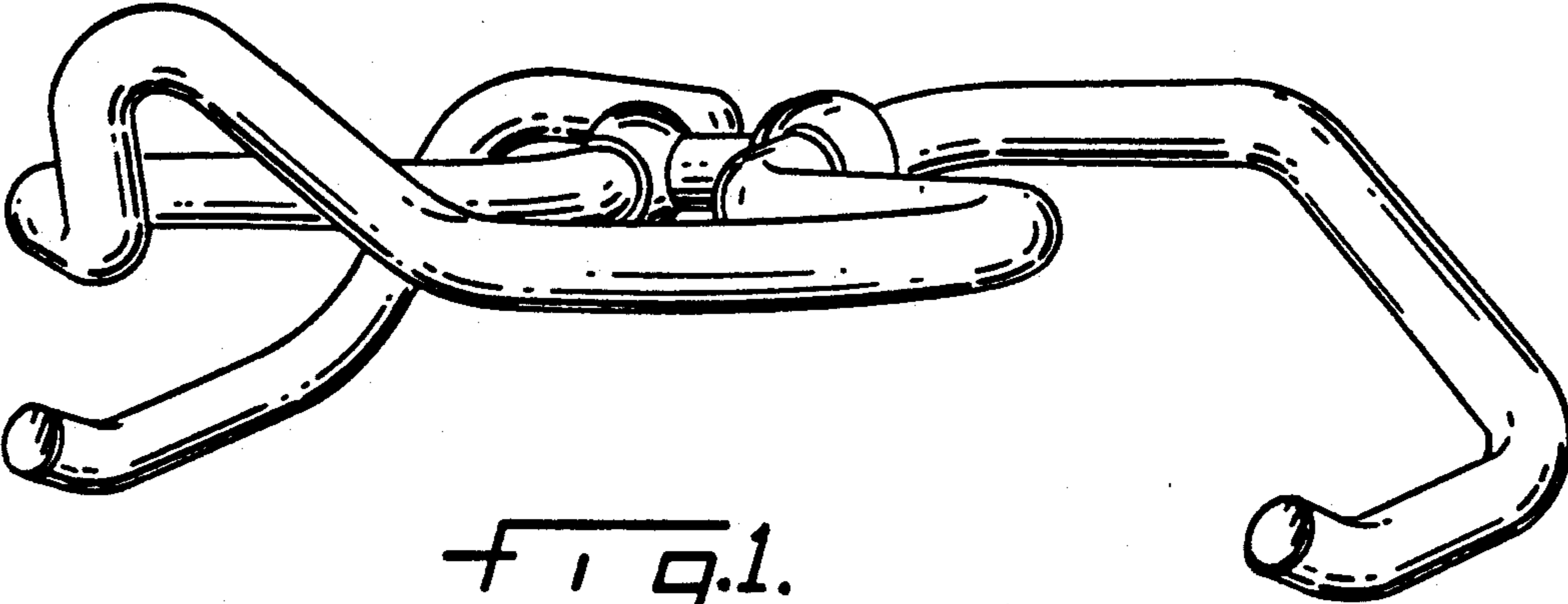


FIG. 1.

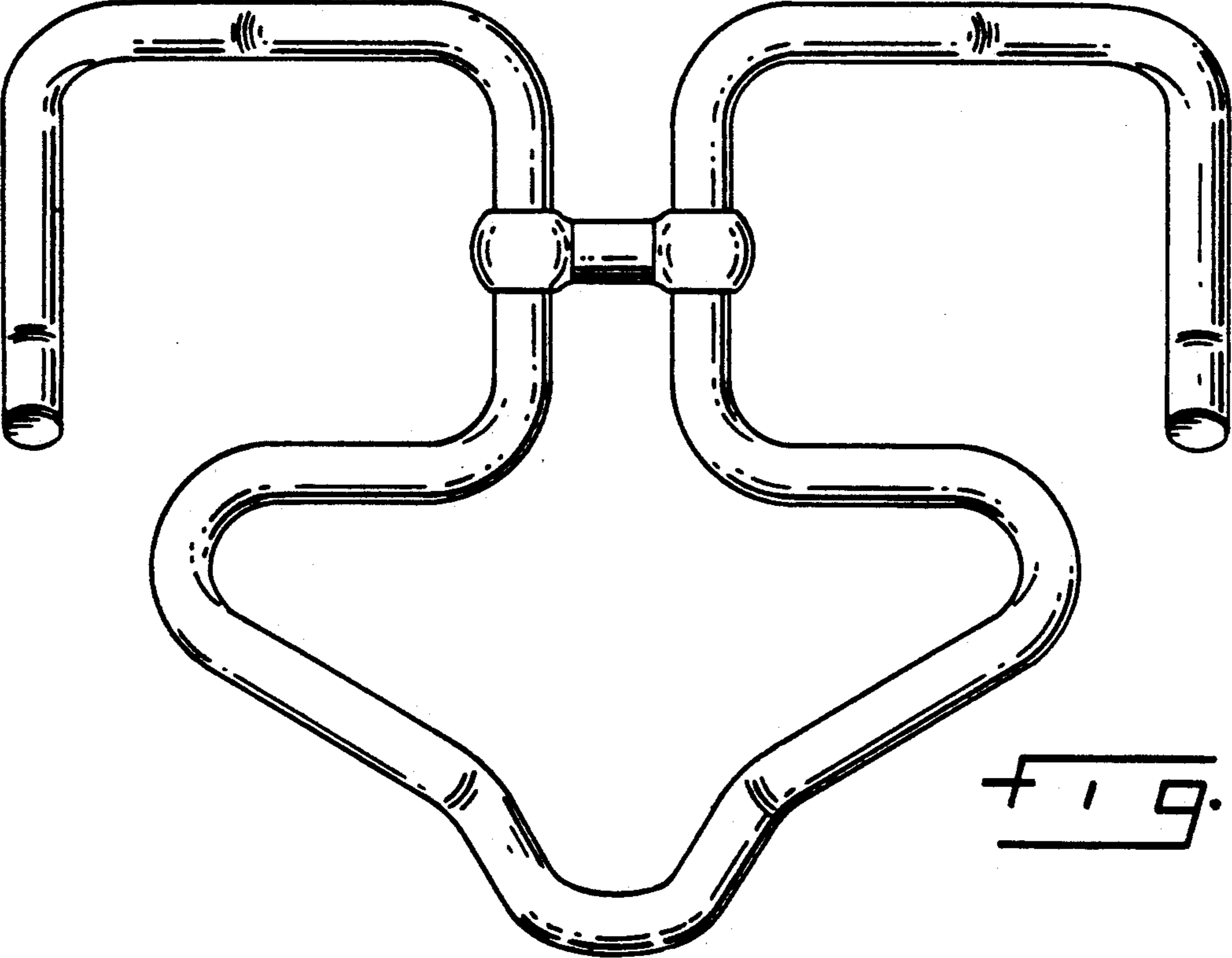


FIG. 2.

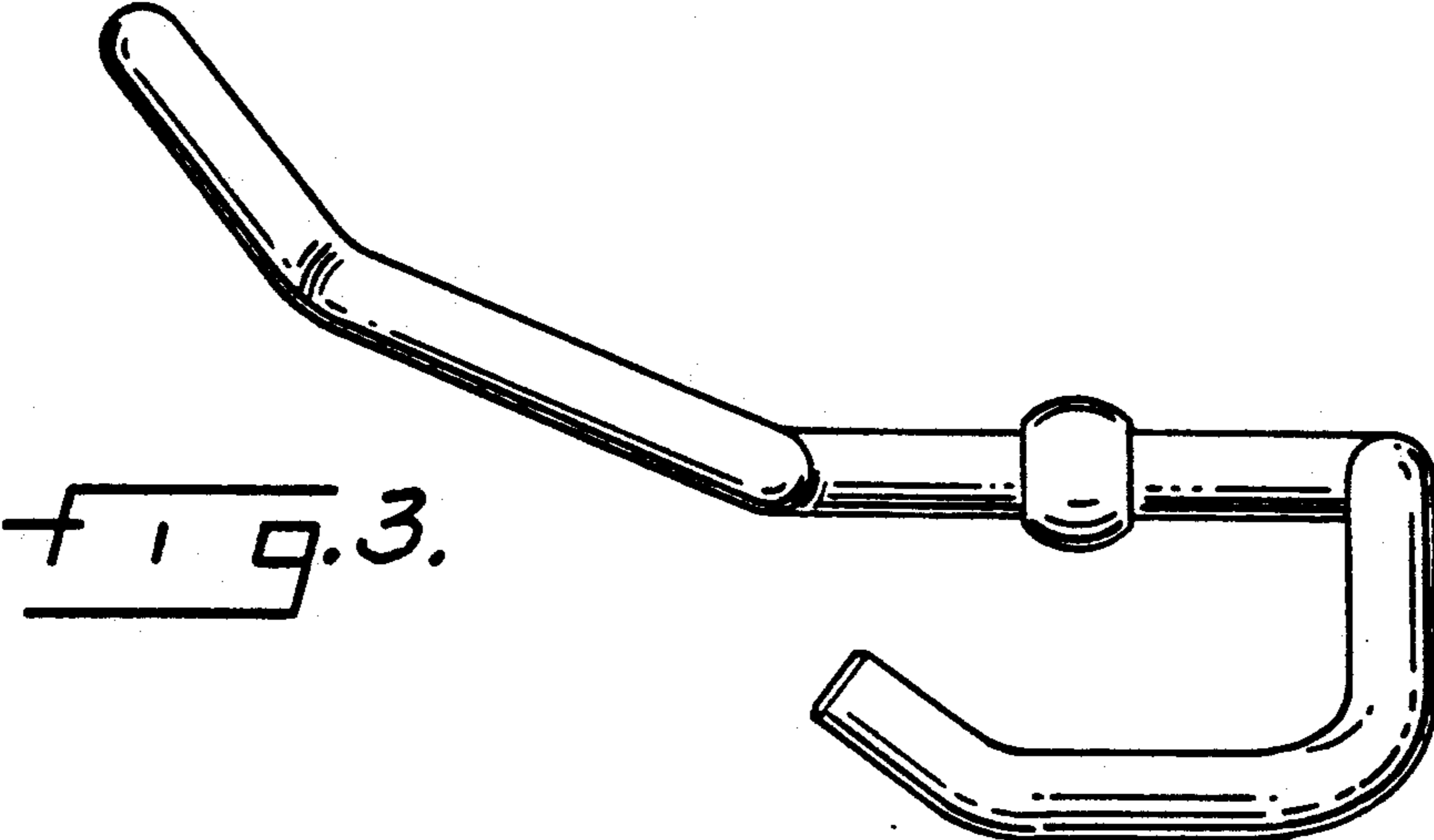


FIG. 3.

FIG. 4.

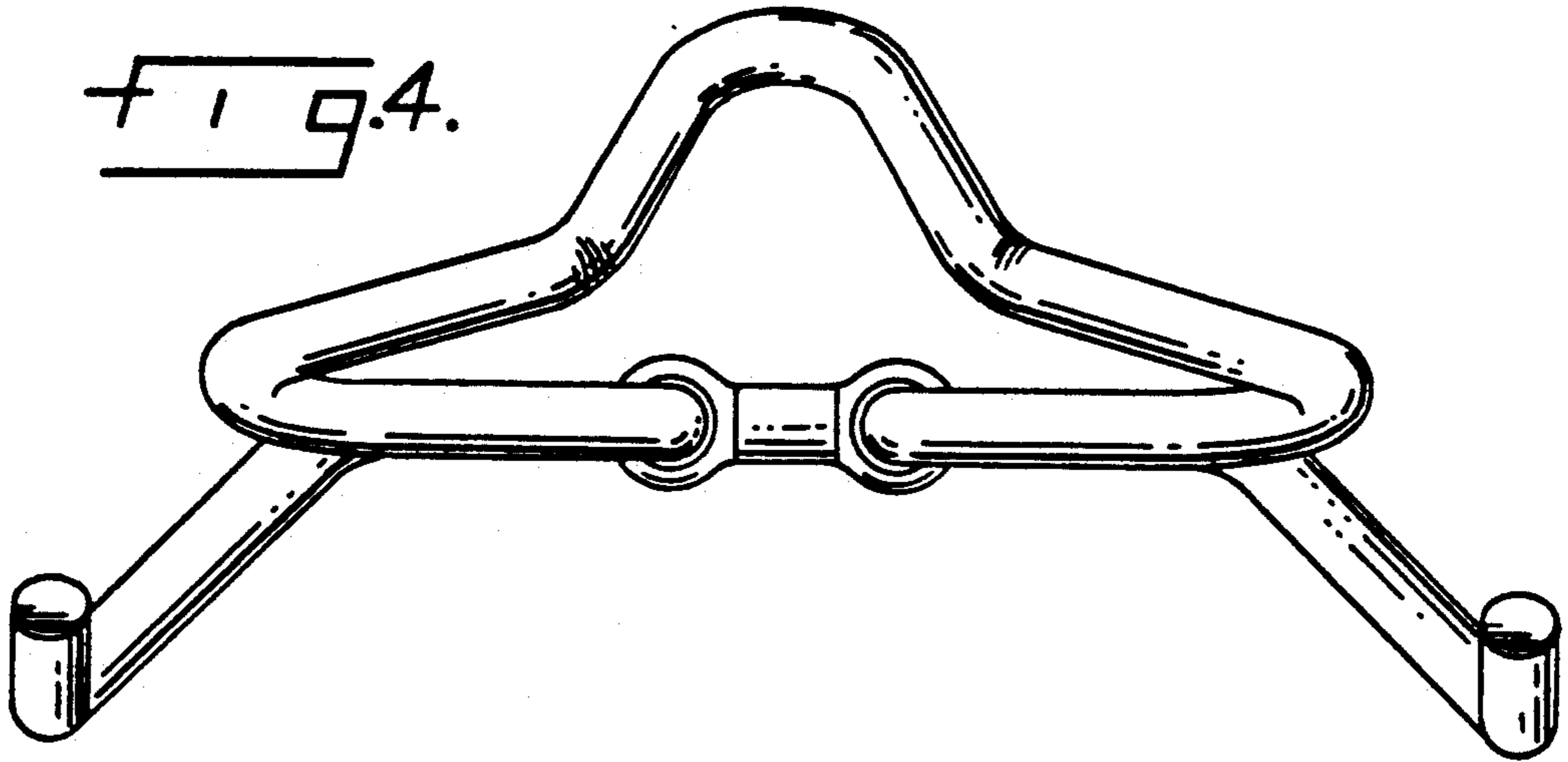


FIG. 5.

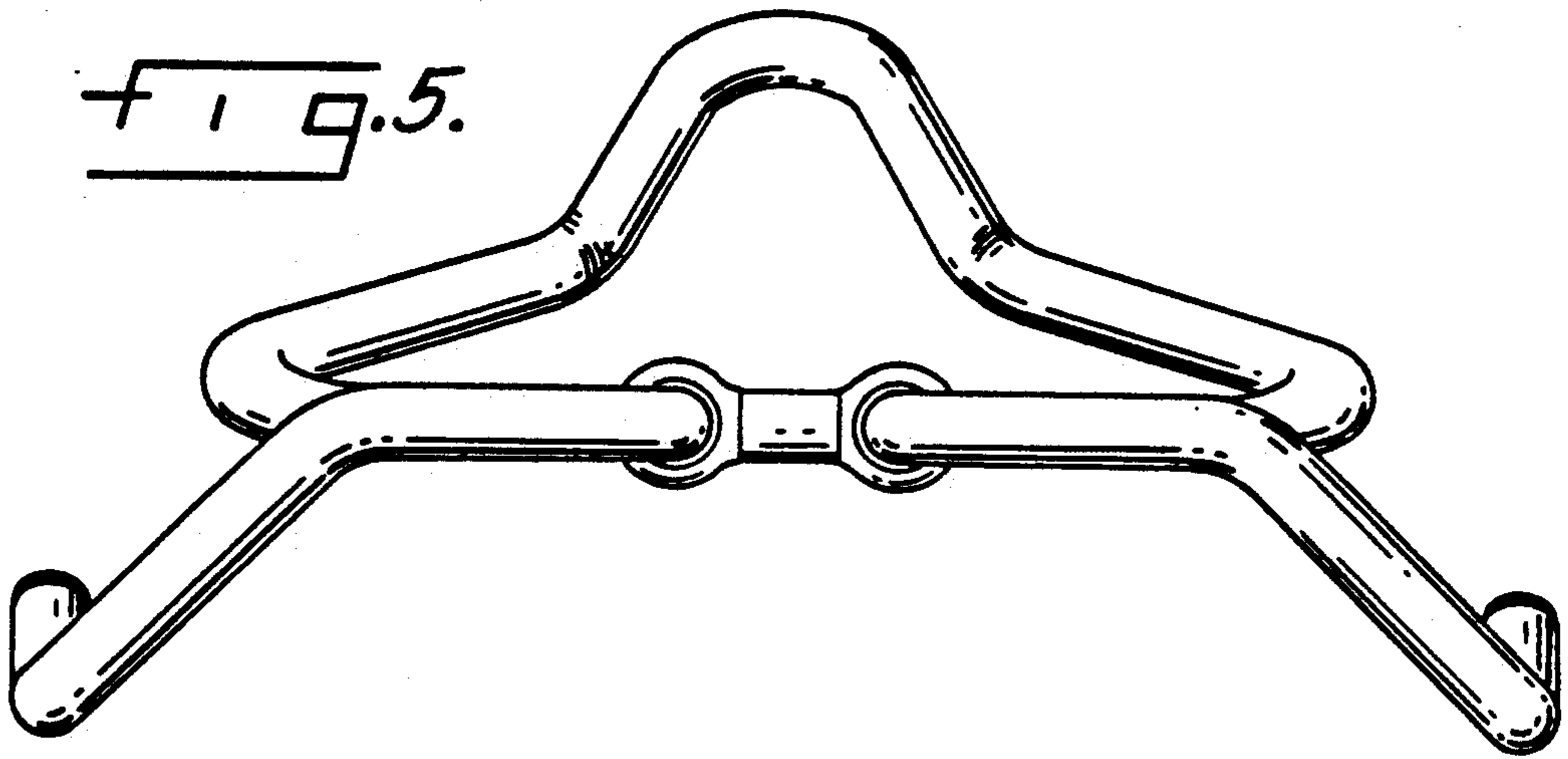


FIG. 6.

