



US00D323804S

United States Patent [19]

[11] Patent Number: **Des. 323,804**

Randolph

[45] Date of Patent: **** Feb. 11, 1992**

[54] **ANTI-JACKKNIFE UNIT FOR A TRAILER FIFTH WHEEL**

4,934,727 6/1990 Hawkins et al. 280/432
4,986,560 1/1991 Tambay 280/432

[76] Inventor: **Carol R. Randolph**, 14787 Madison Rd., Three Forks, Mont. 59752

Primary Examiner—James M. Gandy
Assistant Examiner—Melody Brown
Attorney, Agent, or Firm—Leon Gilden

[**] Term: **14 Years**

[57] **CLAIM**

[21] Appl. No.: **476,657**

The ornamental design for an anti-jackknife unit for a trailer fifth wheel, as shown.

[22] Filed: **Feb. 8, 1990**

[52] U.S. Cl. **D12/161**

DESCRIPTION

[58] Field of Search **D12/161; 280/432, 480, 280/455.1**

FIG. 1 is a front elevational view of the anti-jackknife unit for a trailer fifth wheel showing my new design; FIG. 2 is a rear elevational view thereof; FIG. 3 is a left side elevational view thereof; FIG. 4 is a right side elevational view thereof; FIG. 5 is a top plan view thereof; and, FIG. 6 is a bottom plan view thereof.

[56] **References Cited**

U.S. PATENT DOCUMENTS

4,720,118 1/1988 Schultz et al. 280/432
4,790,556 12/1988 Hawkins et al. 280/432

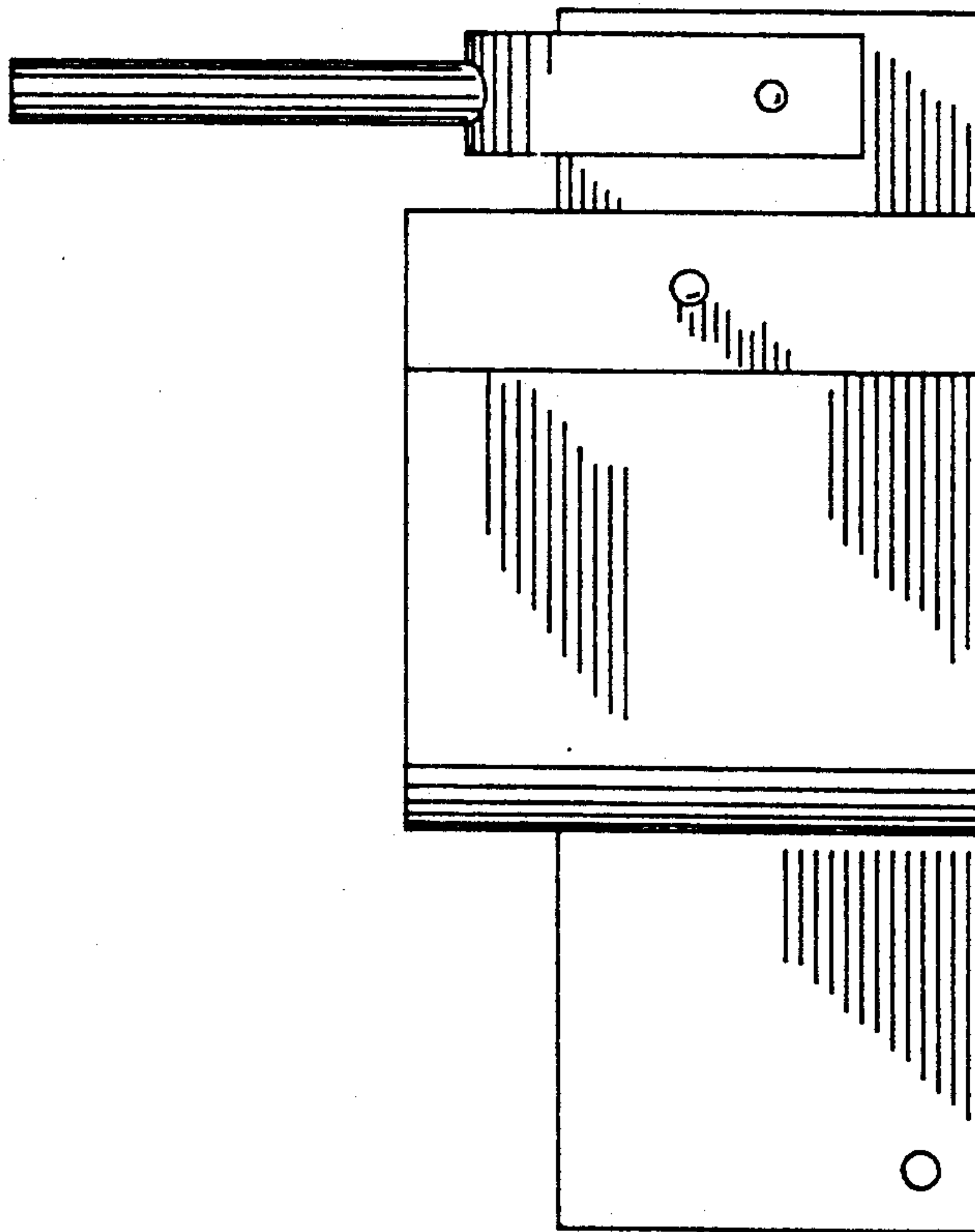


FIG. 1

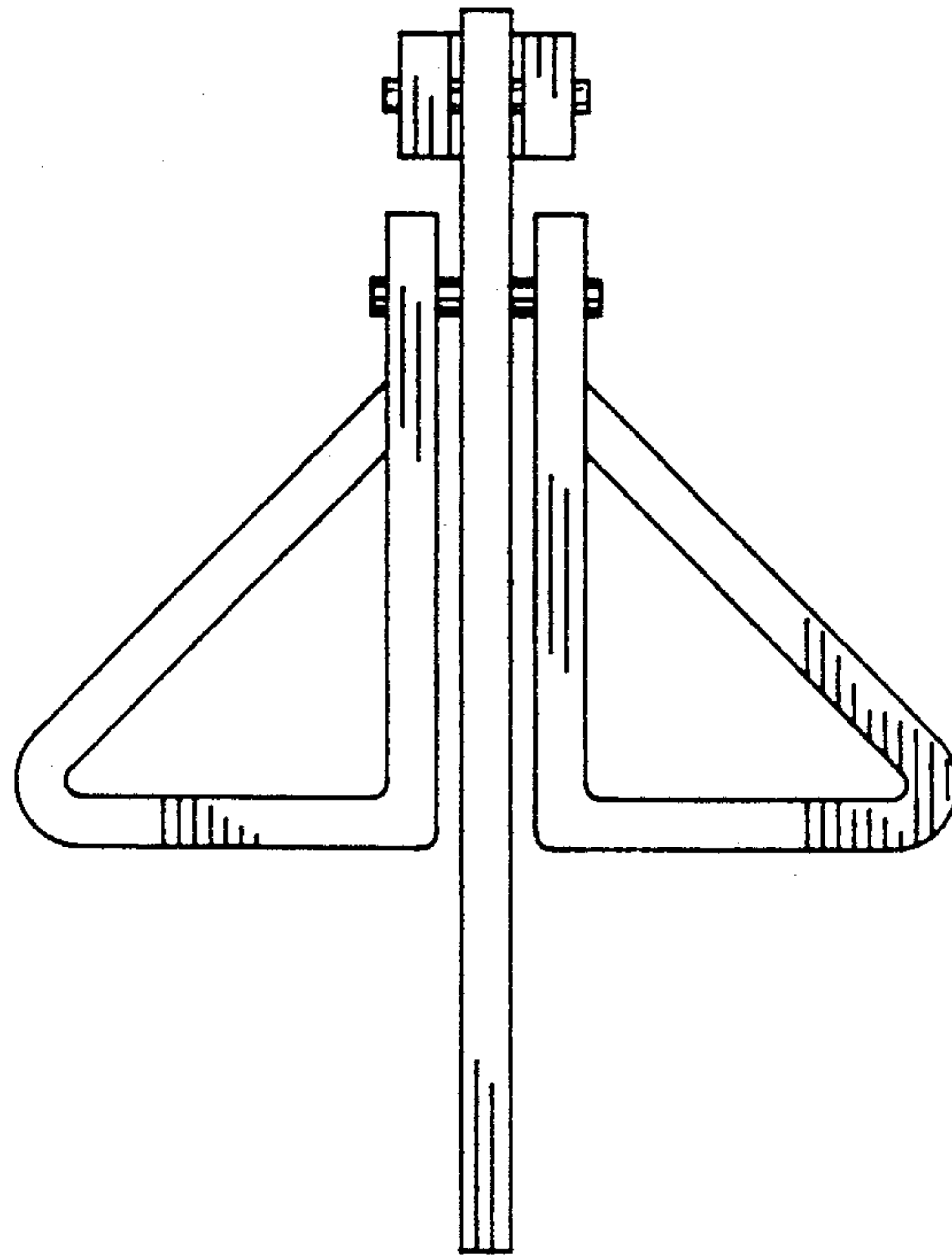


FIG. 2

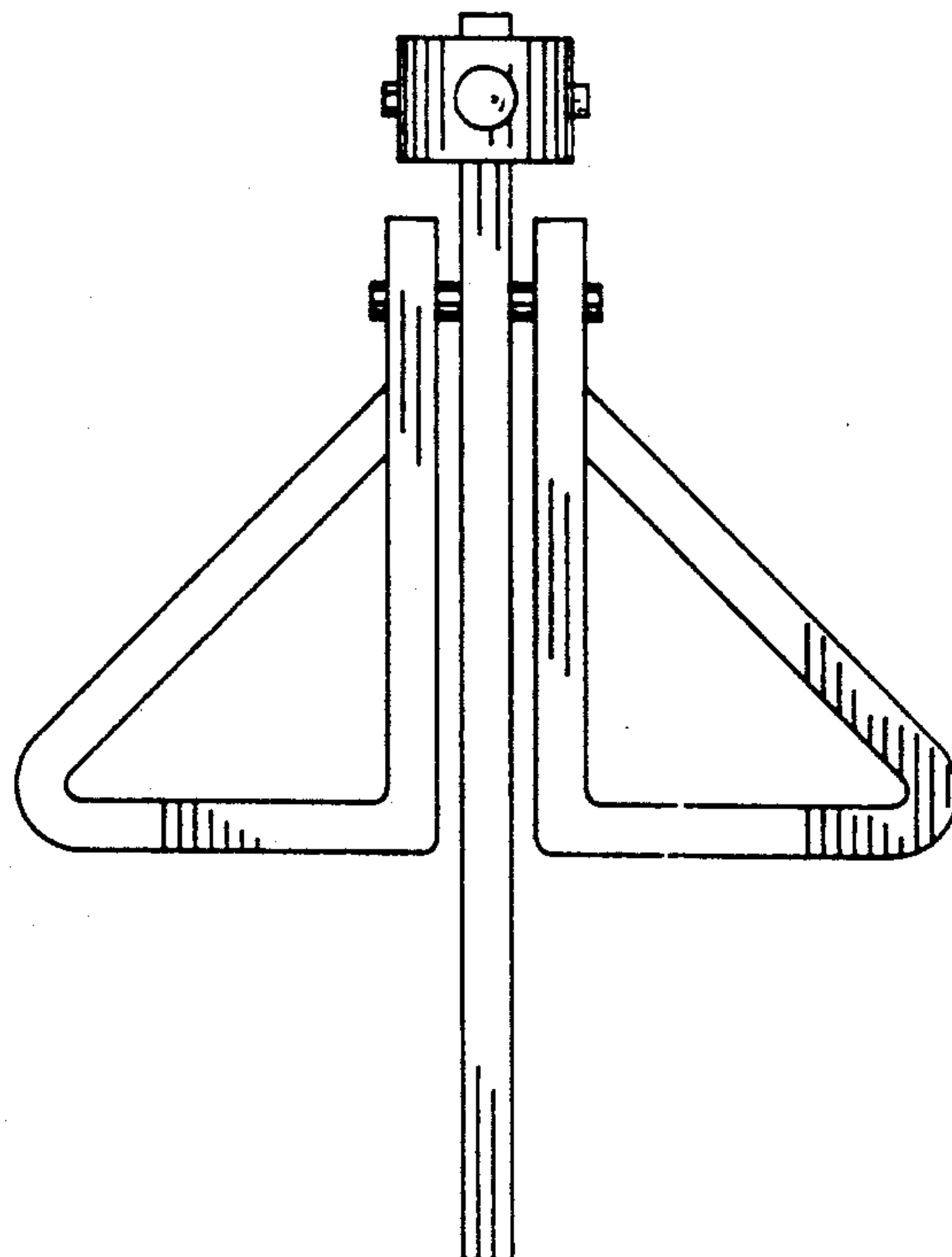


FIG. 3

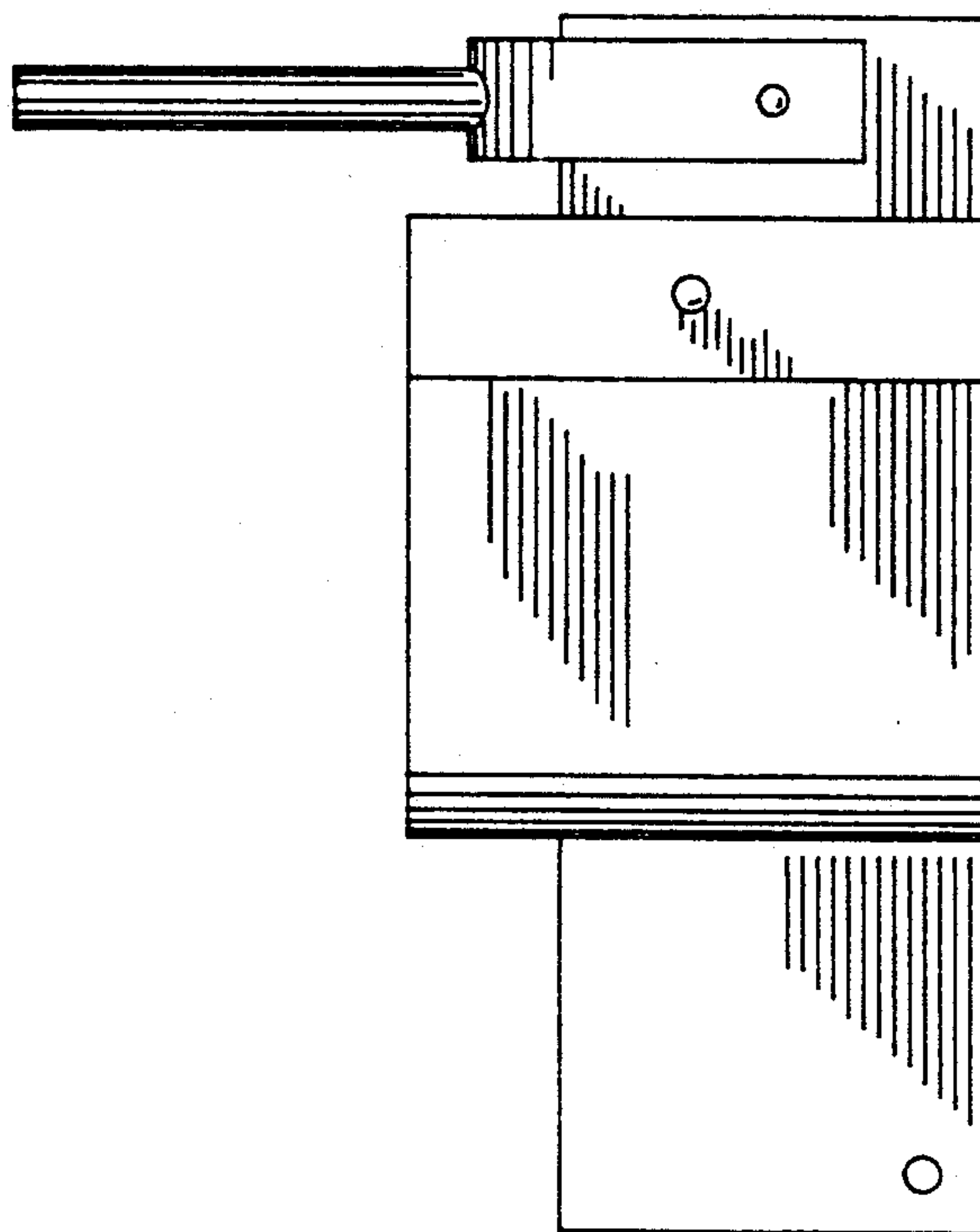


FIG. 4

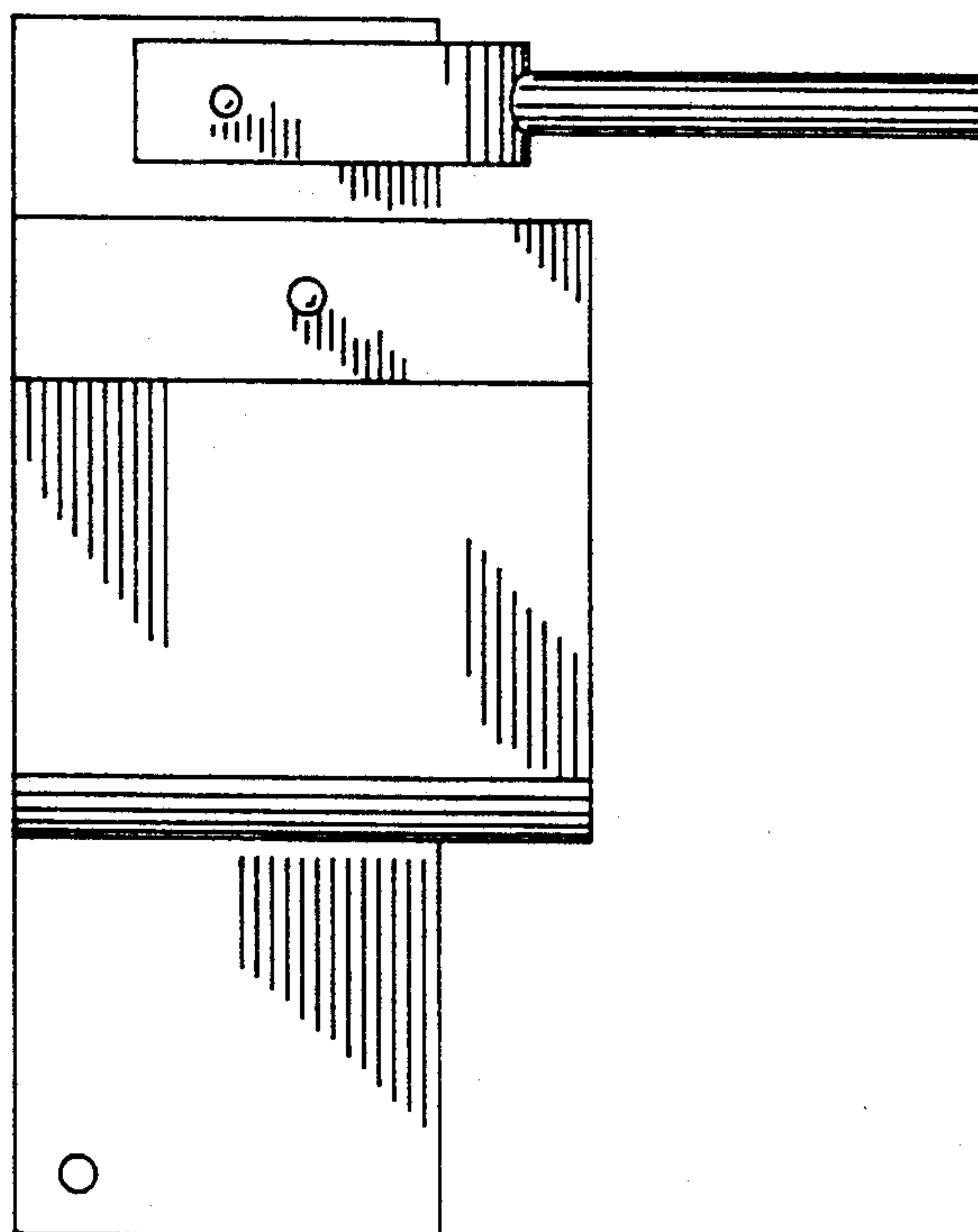


FIG. 5

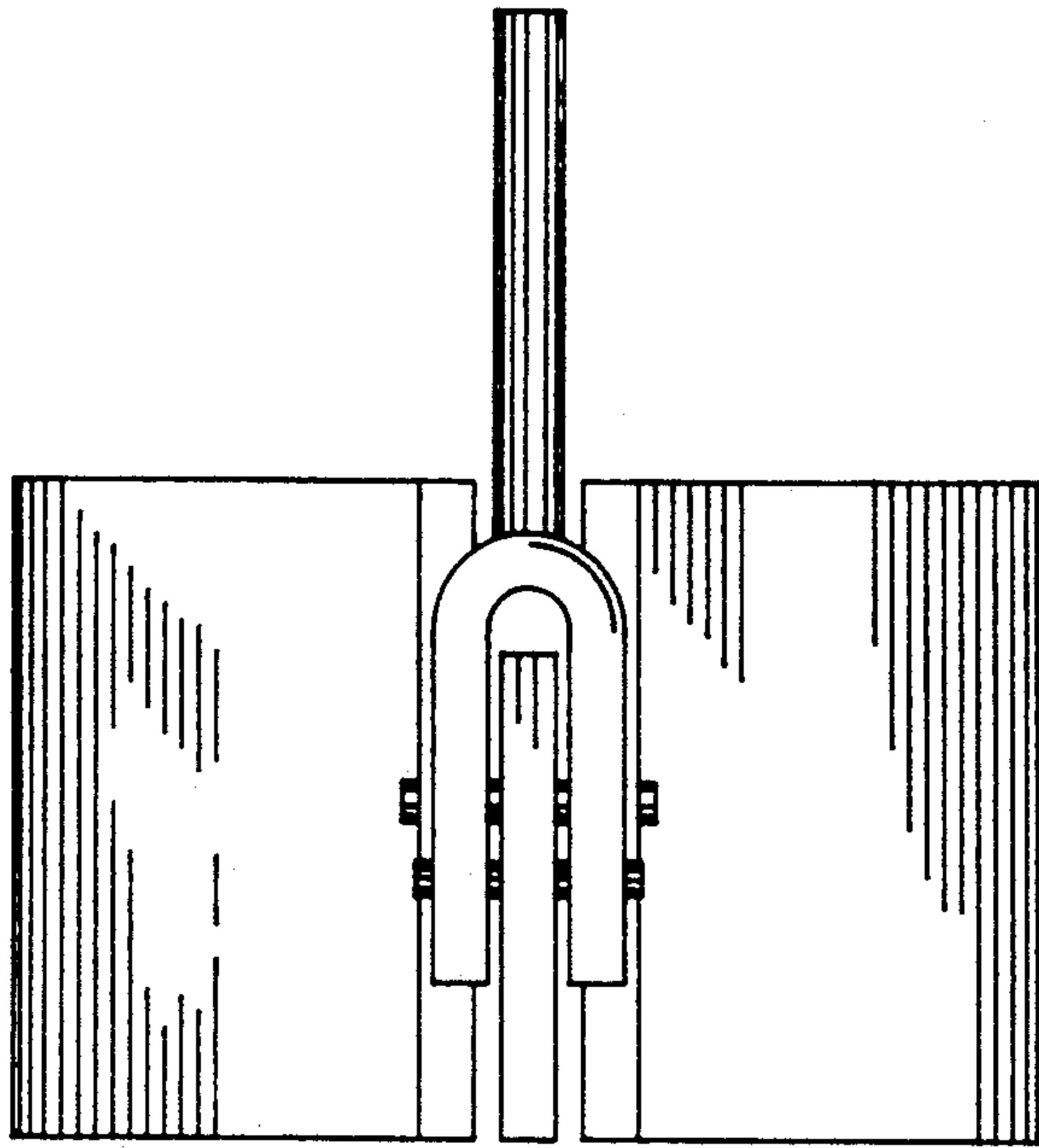


FIG. 6

