



US00D323799S

# United States Patent [19]

[11] Patent Number: **Des. 323,799**

Nishimura et al.

[45] Date of Patent: **\*\* Feb. 11, 1992**

## [54] AUTOMOBILE

[75] Inventors: **Tsuyoshi Nishimura, Saitama; Kunitoshi Murakami; Kunihiko Tachibana, both of Tokyo, all of Japan**

[73] Assignee: **Honda Giken Kogyo Kabushiki Kaisha, Tokyo, Japan**

[\*\*] Term: **14 Years**

[21] Appl. No.: **394,422**

[22] Filed: **Aug. 15, 1989**

[52] U.S. Cl. .... **D12/92**

[58] Field of Search ..... **D12/91, 92; 296/185**

## [56] References Cited

### U.S. PATENT DOCUMENTS

D. 299,325	1/1989	Oshika et al. ....	D12/92
D. 301,436	6/1989	Mizuno et al. ....	D12/92
D. 301,848	6/1989	Kurosu et al. ....	D12/92
D. 309,882	8/1990	Imaki et al. ....	D12/92
D. 311,360	10/1990	Yoshikawa et al. ....	D12/92
D. 311,361	10/1990	Fujimura et al. ....	D12/92

## OTHER PUBLICATIONS

Road & Track, 8/88, p. 104, Subaru Royale, top of page.

Road & Track, 10/88, p. 138, Cadillac LSS, bottom of page.

Motor Trend, 5/88, p. 121, Acura Legend Sedan LS, bottom of page.

Motor Trend, 8/85, p. 51, Honda Accord, bottom of page.

Motor Trend, 6/85, p. 32, Honda Quint Integra, center of page.

Motor Trend, 9/84, p. 22, Rover Honda, bottom right side of page.

Road & Track, 4/84, p. 80D, Honda/Rover, bottom left side of page.

*Primary Examiner*—James M. Gandy

*Attorney, Agent, or Firm*—Lyon & Lyon

## [57] CLAIM

The ornamental design for an automobile, as shown.

## DESCRIPTION

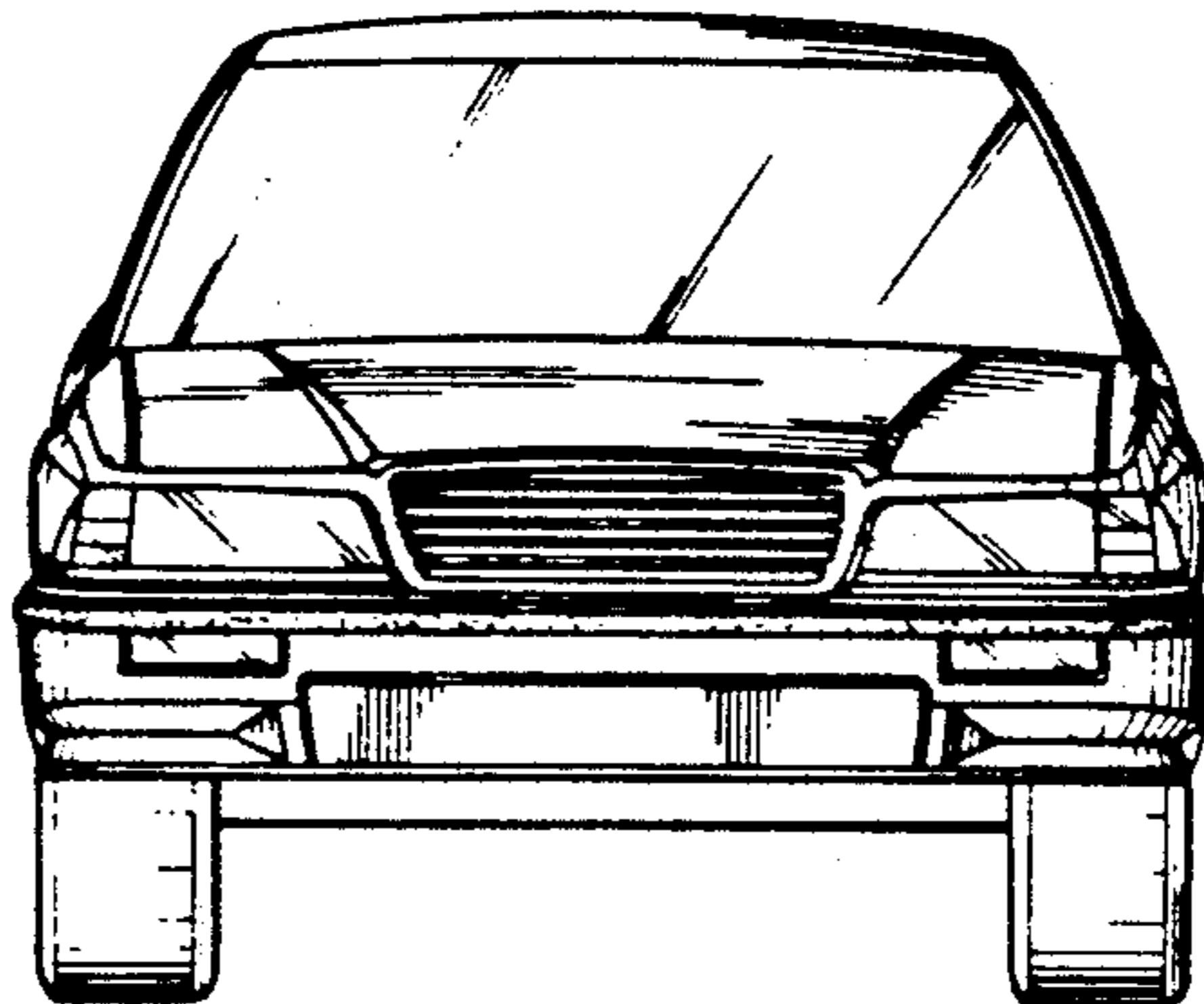
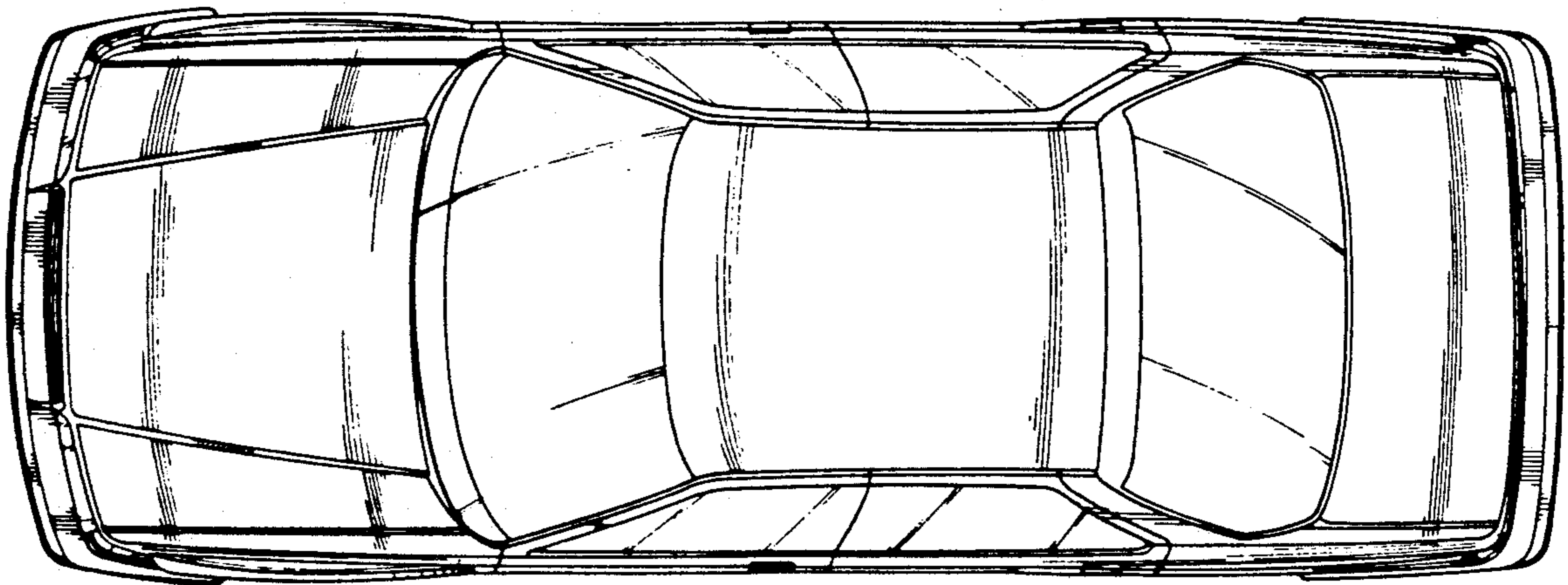
FIG. 1 is a left side elevation view of an automobile showing the new design;

FIG. 2 is a right side elevation view thereof;

FIG. 3 is a top plan view thereof;

FIG. 4 is a front elevation view thereof; and

FIG. 5 is a rear elevation view thereof.



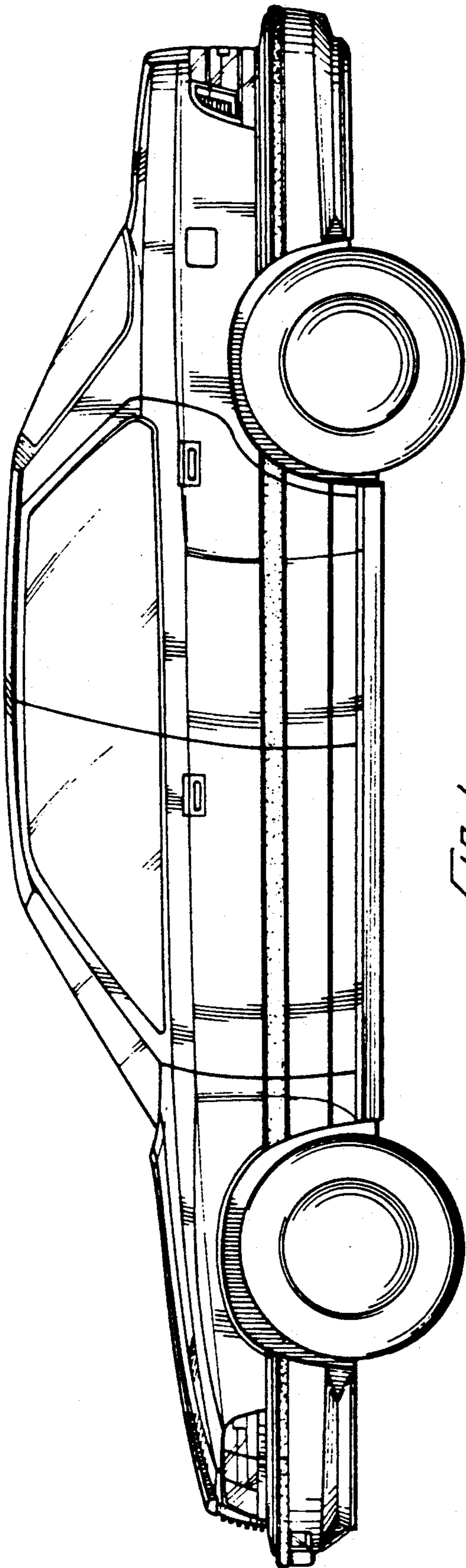


FIG. 1.

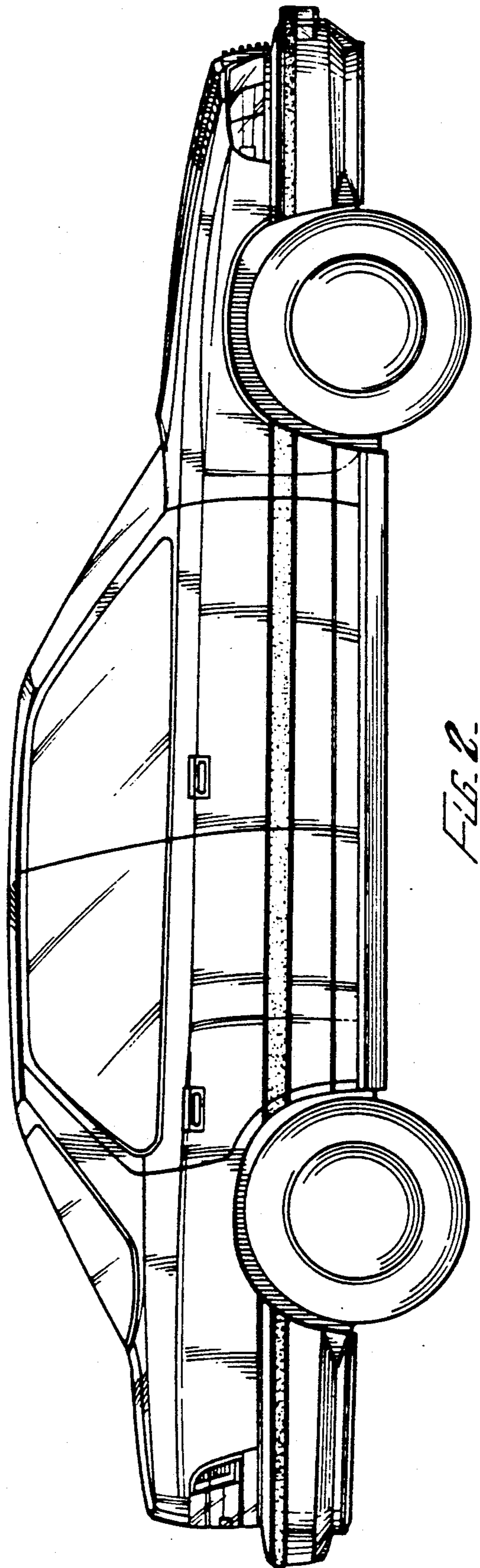


FIG. 2.



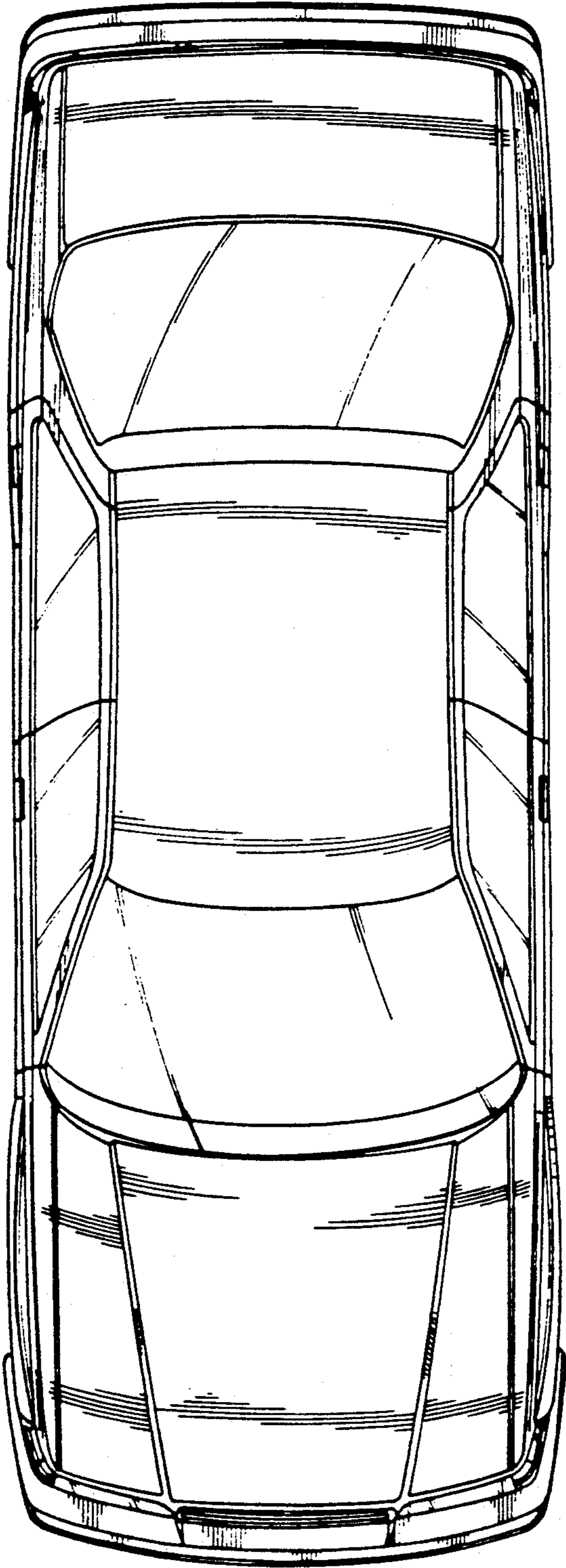


FIG. 3.

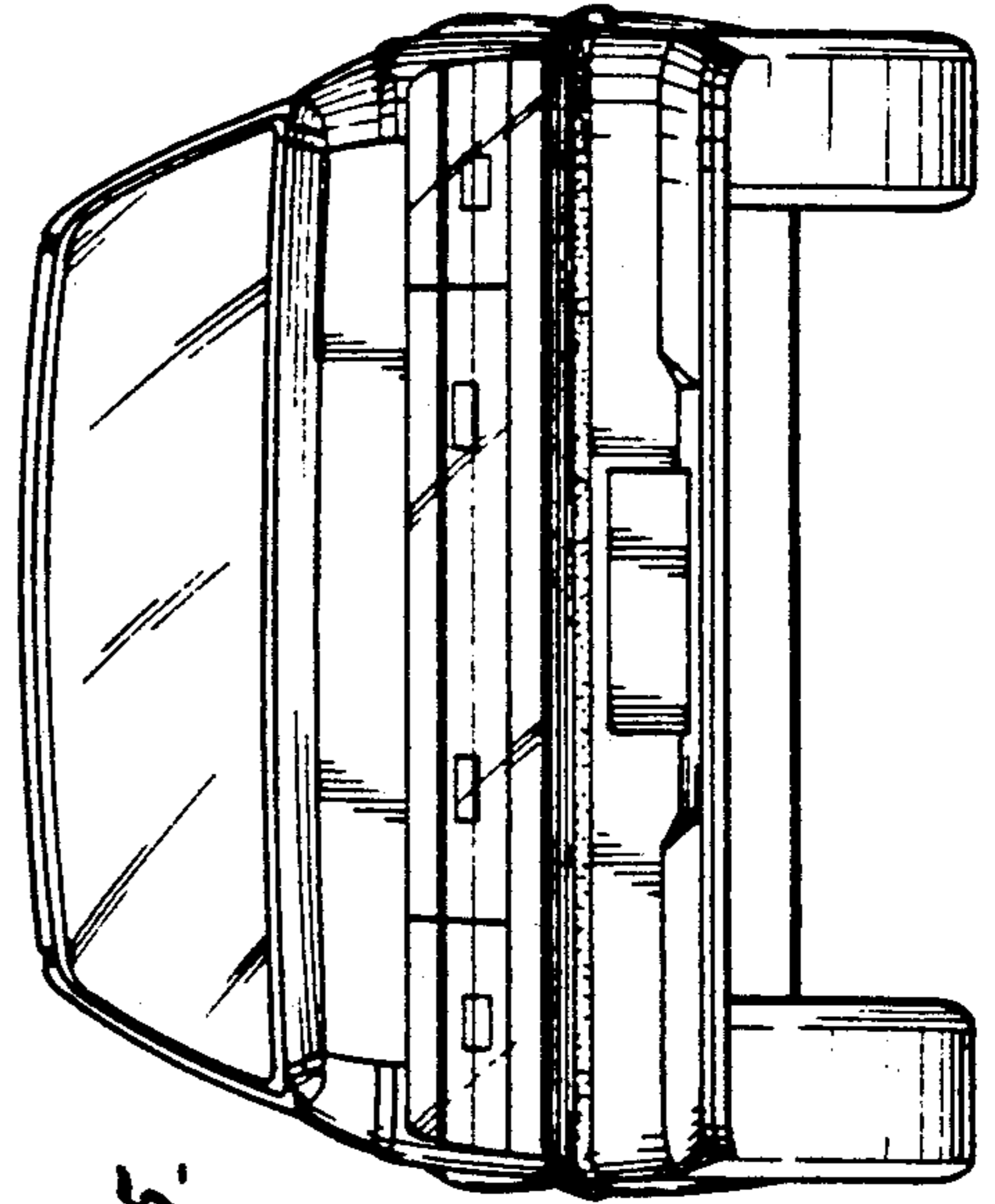


FIG. 5.

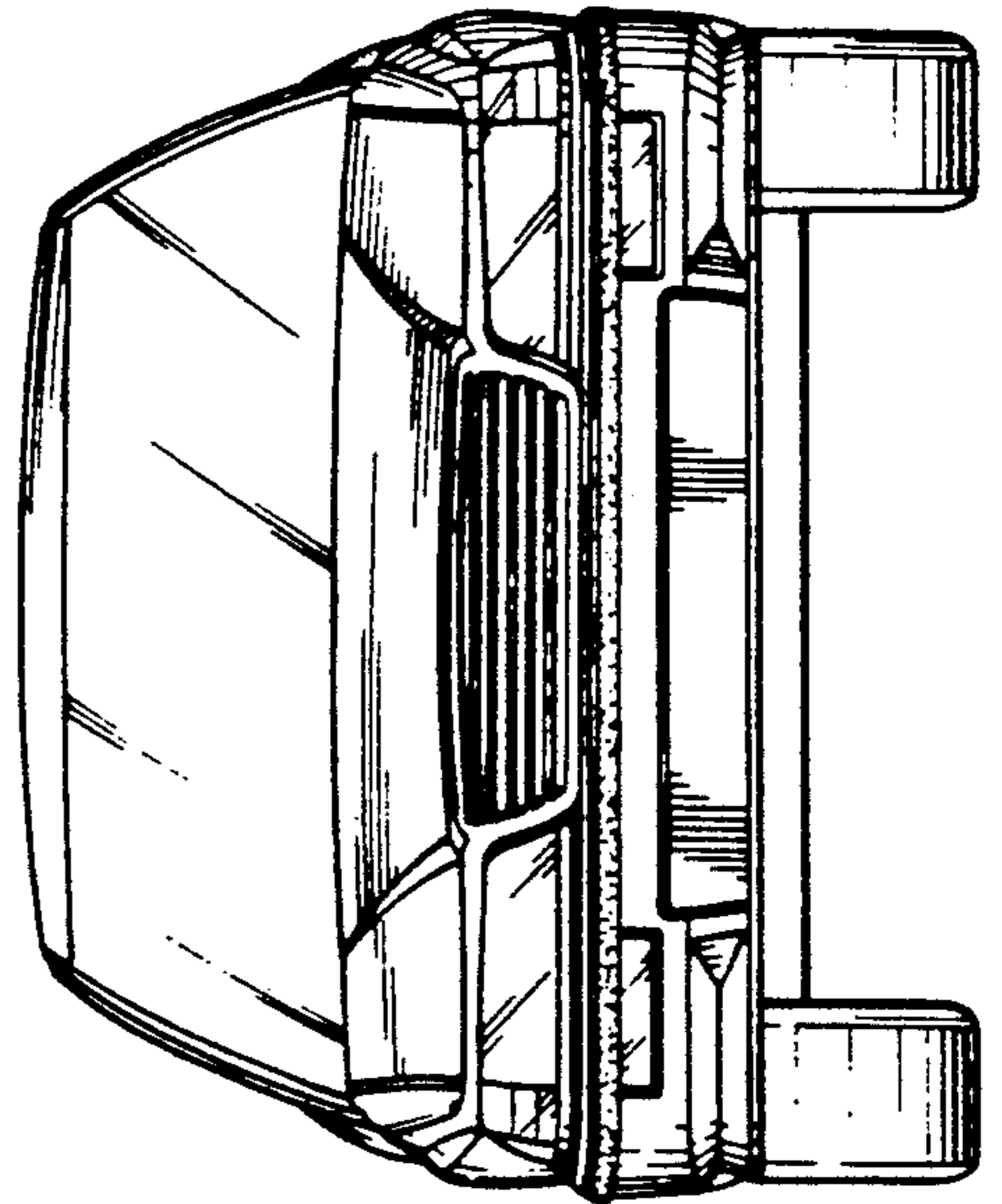


FIG. 4.