



US00D323797S

United States Patent [19]

[11] Patent Number: **Des. 323,797**

Oslapas et al.

[45] Date of Patent: **** Feb. 11, 1992**

[54] ELECTRIC RUNABOUT VEHICLE

[75] Inventors: **Arunas P. Oslapas**, Park Township, Ottawa County; **Wesley G. Koops**, Fillmore Township, Allegan County, both of Mich.

[73] Assignee: **JWI, Inc.**, Holland, Mich.

[**] Term: **14 Years**

[21] Appl. No.: **460,740**

[22] Filed: **Jan. 4, 1990**

[52] U.S. Cl. **D12/85; D12/1**

[58] Field of Search **D12/1, 85; 180/210, 180/214**

[56] References Cited

U.S. PATENT DOCUMENTS

D. 205,174	6/1966	Dinkel	D12/85
D. 210,758	4/1968	Bender	D12/120
D. 241,329	9/1976	Forster et al.	D12/85
D. 243,161	1/1977	Folar	D12/85
D. 267,084	11/1982	Bittinger	D12/85
D. 305,745	1/1990	Hayata	D12/85
5,020,624	6/1991	Nesterick et al.	180/210

OTHER PUBLICATIONS

Industrial Equipment News, Feb. 1973, p. 532, the Model PCD-52 Skipper Vehicle.

Inside Movers, Widgit Electric Vehicles brochure, Ahlstedt Manufacturing Corp., 1982 (4 pages).

Primary Examiner—James M. Gandy

Assistant Examiner—Melody Brown

Attorney, Agent, or Firm—Flynn, Thiel, Boutell & Tanis

[57] CLAIM

The ornamental design of an electric runabout vehicle, as shown and described.

DESCRIPTION

FIG. 1 is a front and side perspective view of an electric runabout vehicle showing our new design;

FIG. 2 is a top plan view thereof;

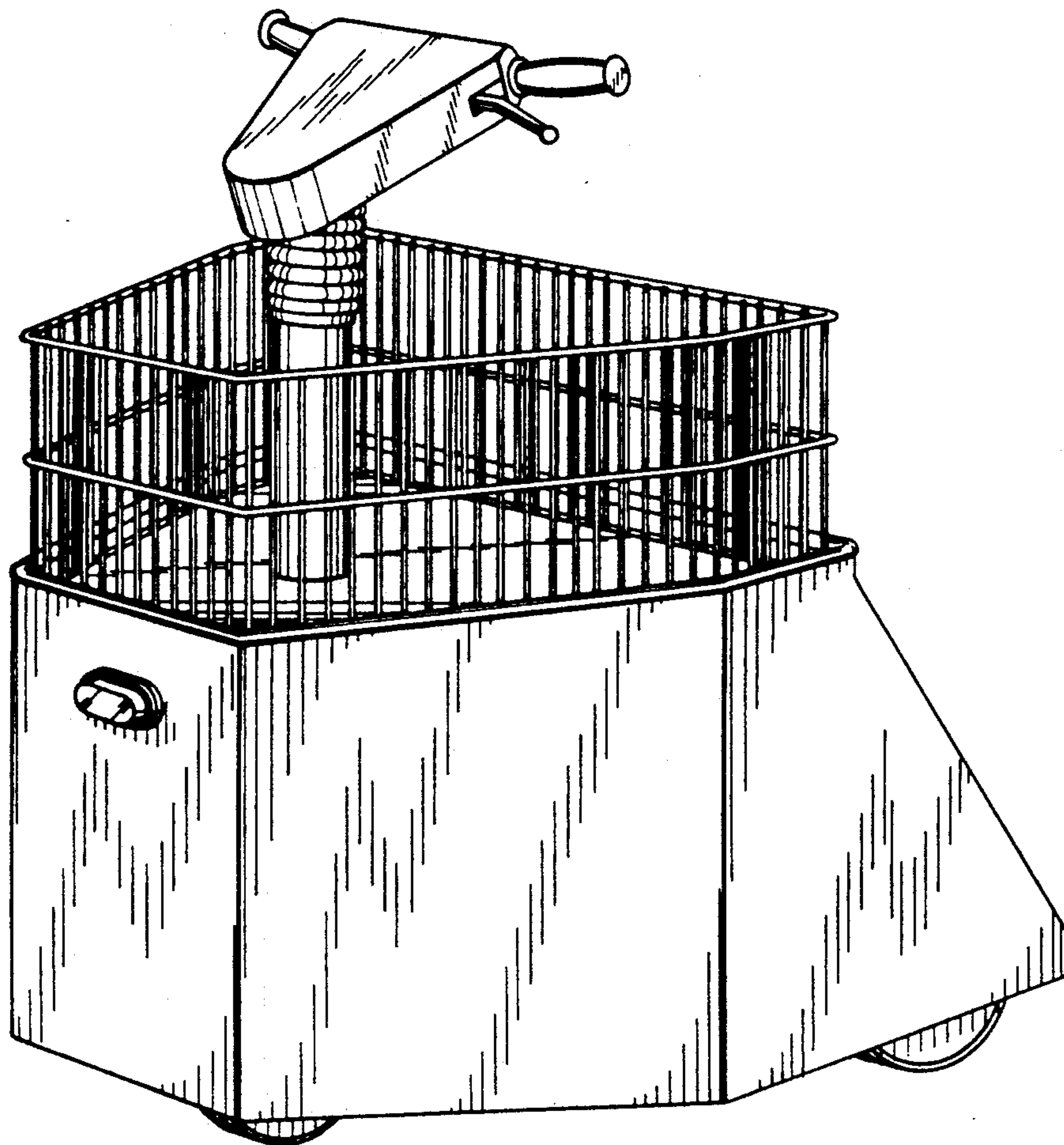
FIG. 3 is a left side elevational view thereof, the right side view being a mirror image of that shown;

FIG. 4 is a front elevational view thereof;

FIG. 5 is a rear elevational view thereof;

FIG. 6 is a front and side perspective view of an electric runabout vehicle showing a second embodiment of our design; and

FIG. 7 is a rear and side perspective view of FIG. 6.



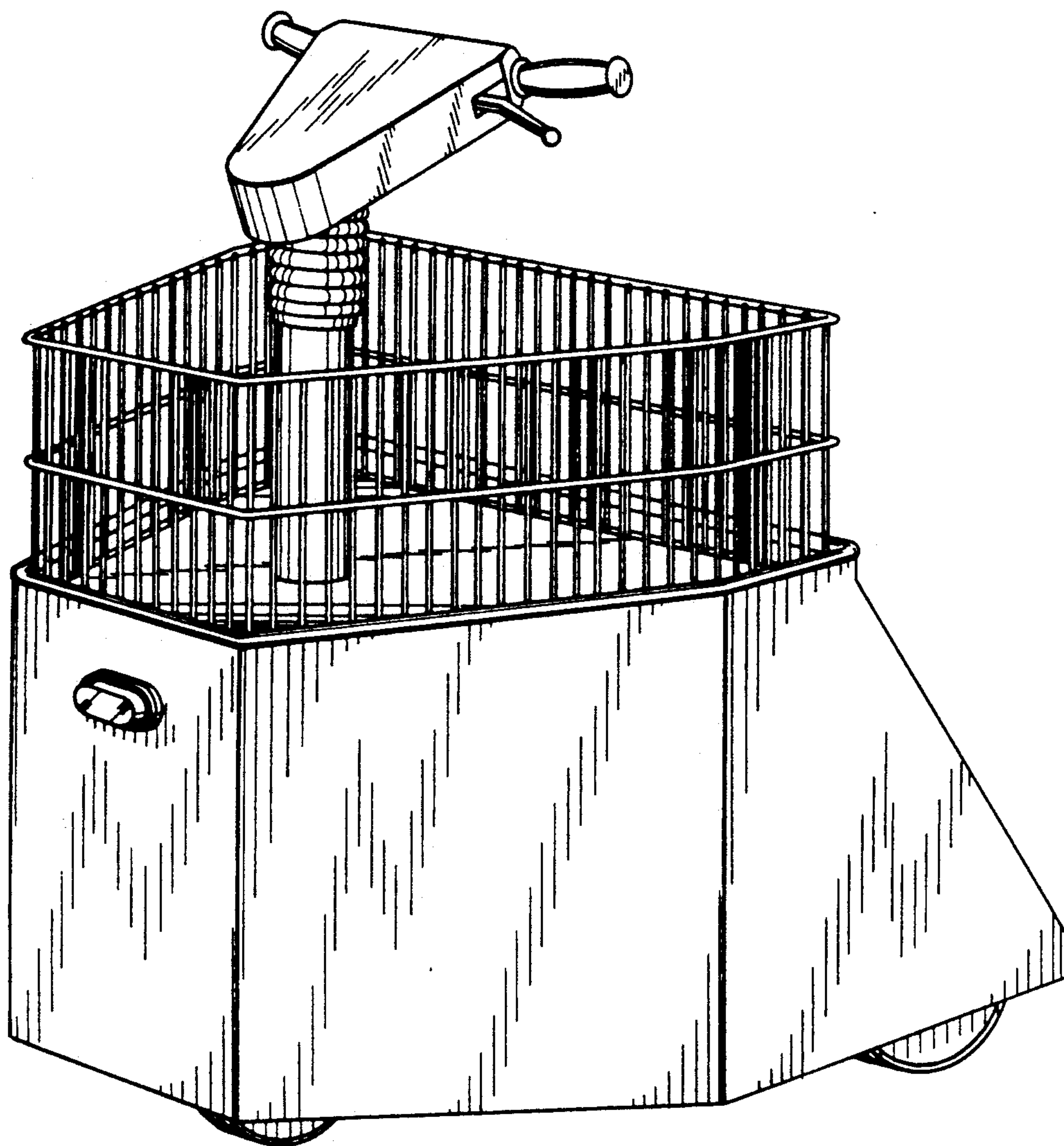


FIG. 1

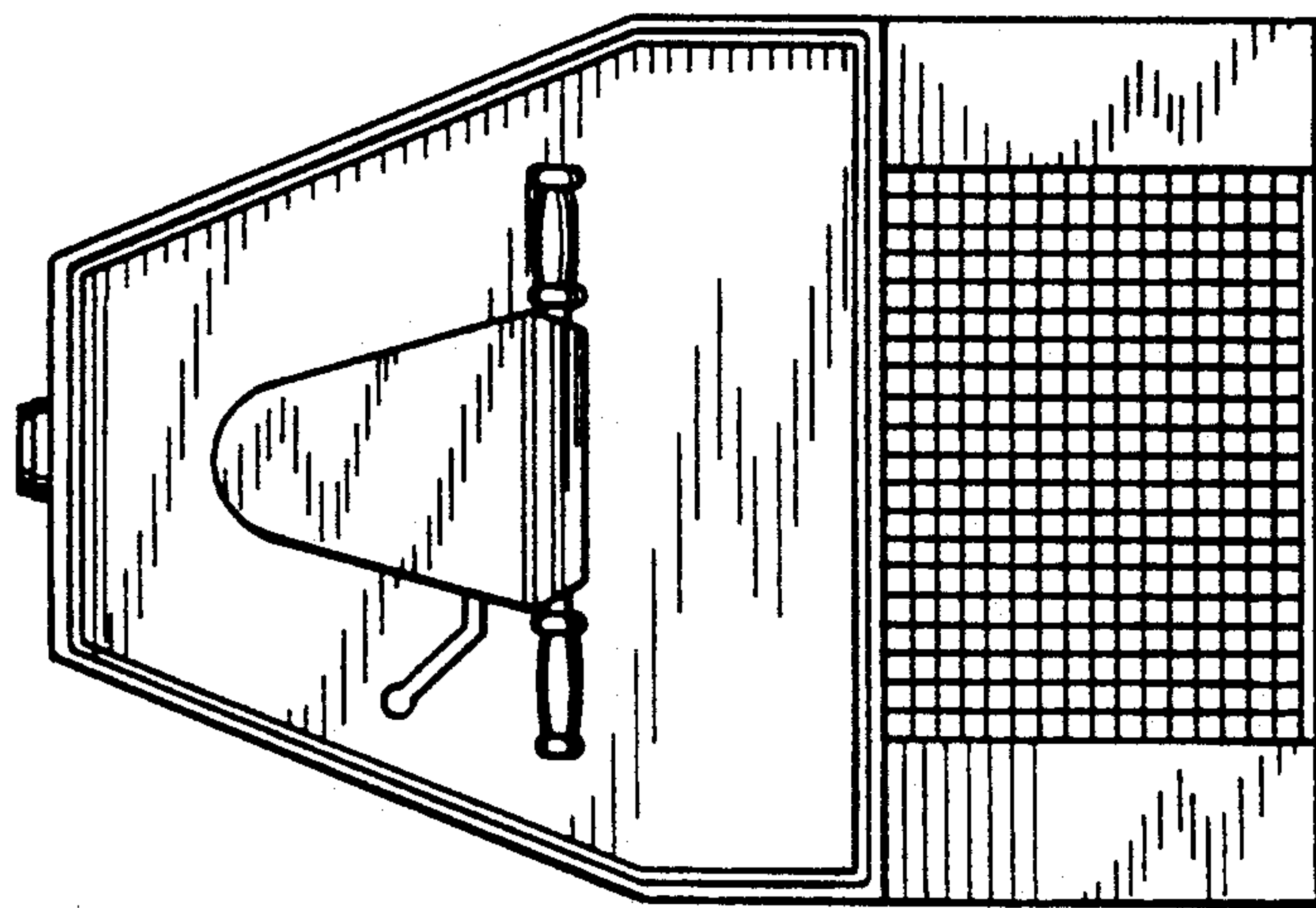


FIG. 2

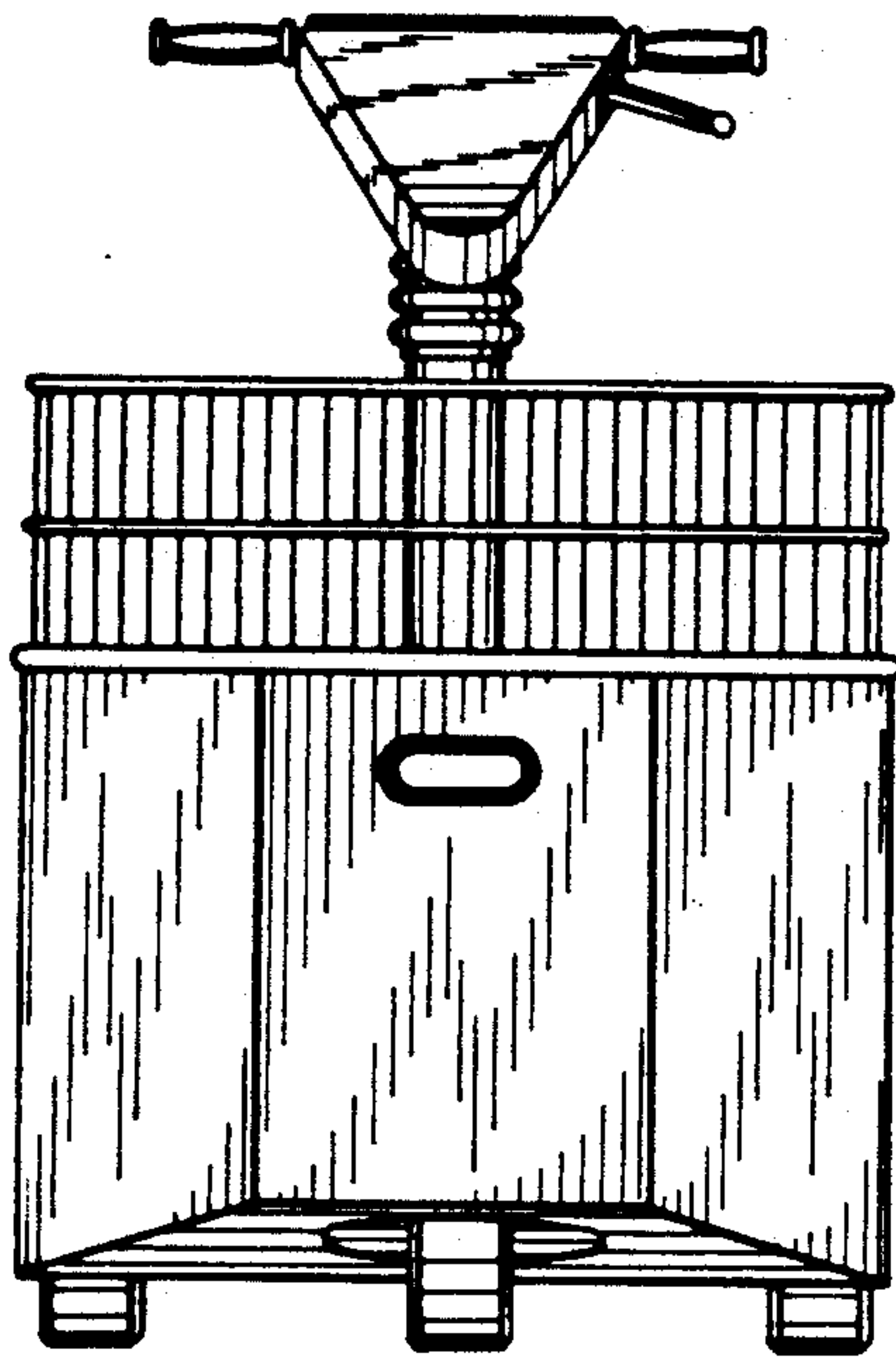


FIG. 4

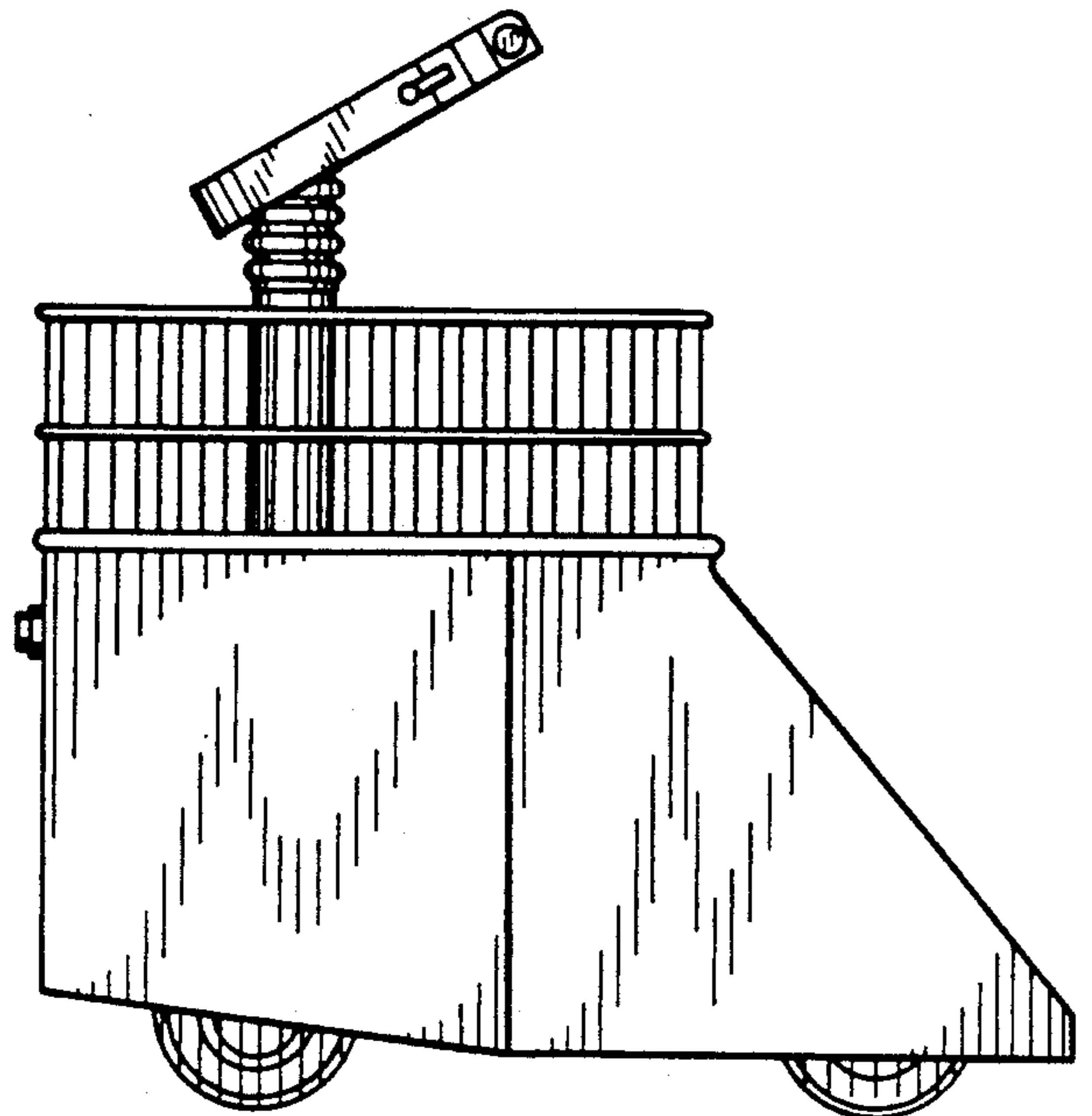


FIG. 3

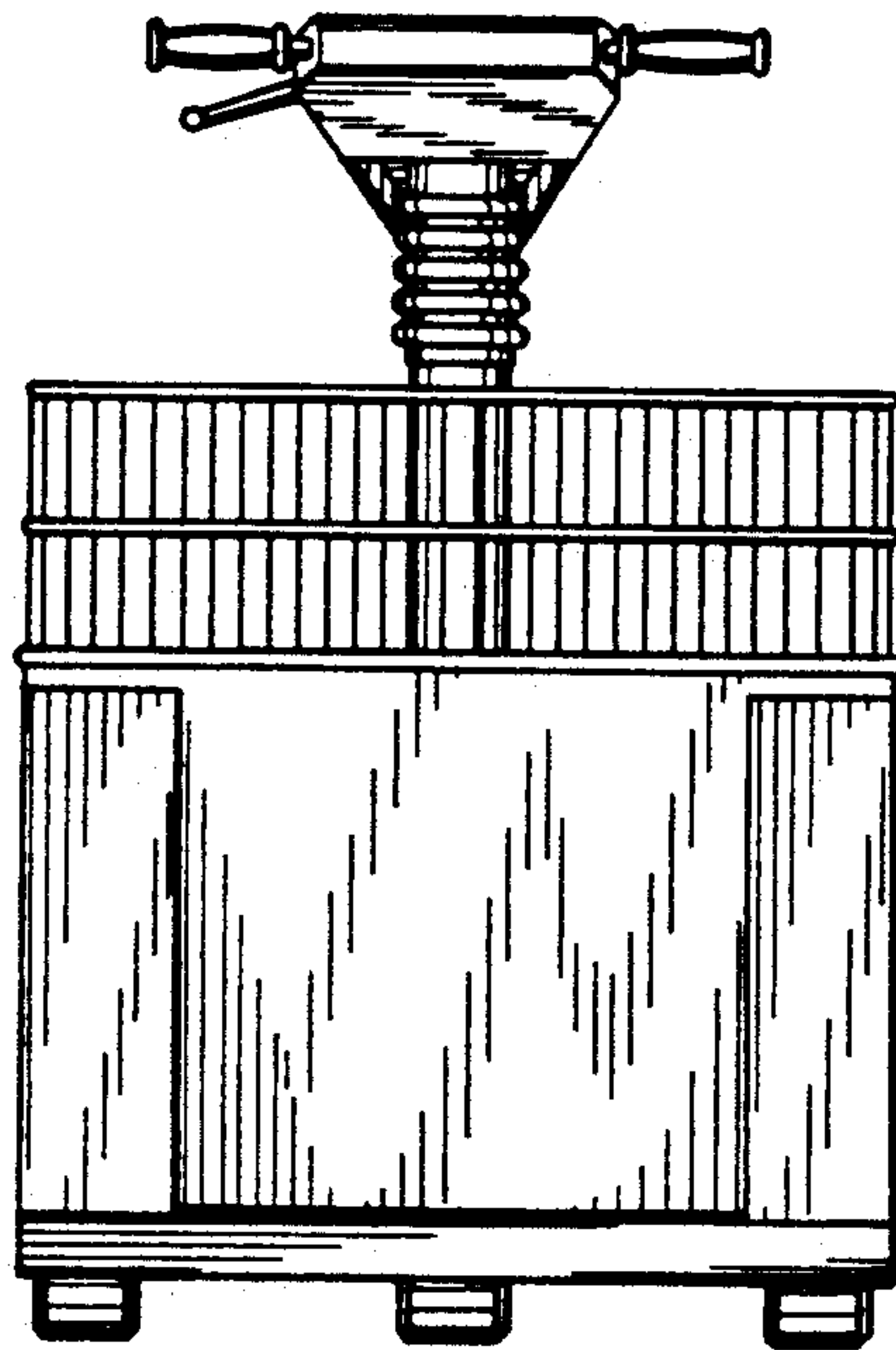


FIG. 5

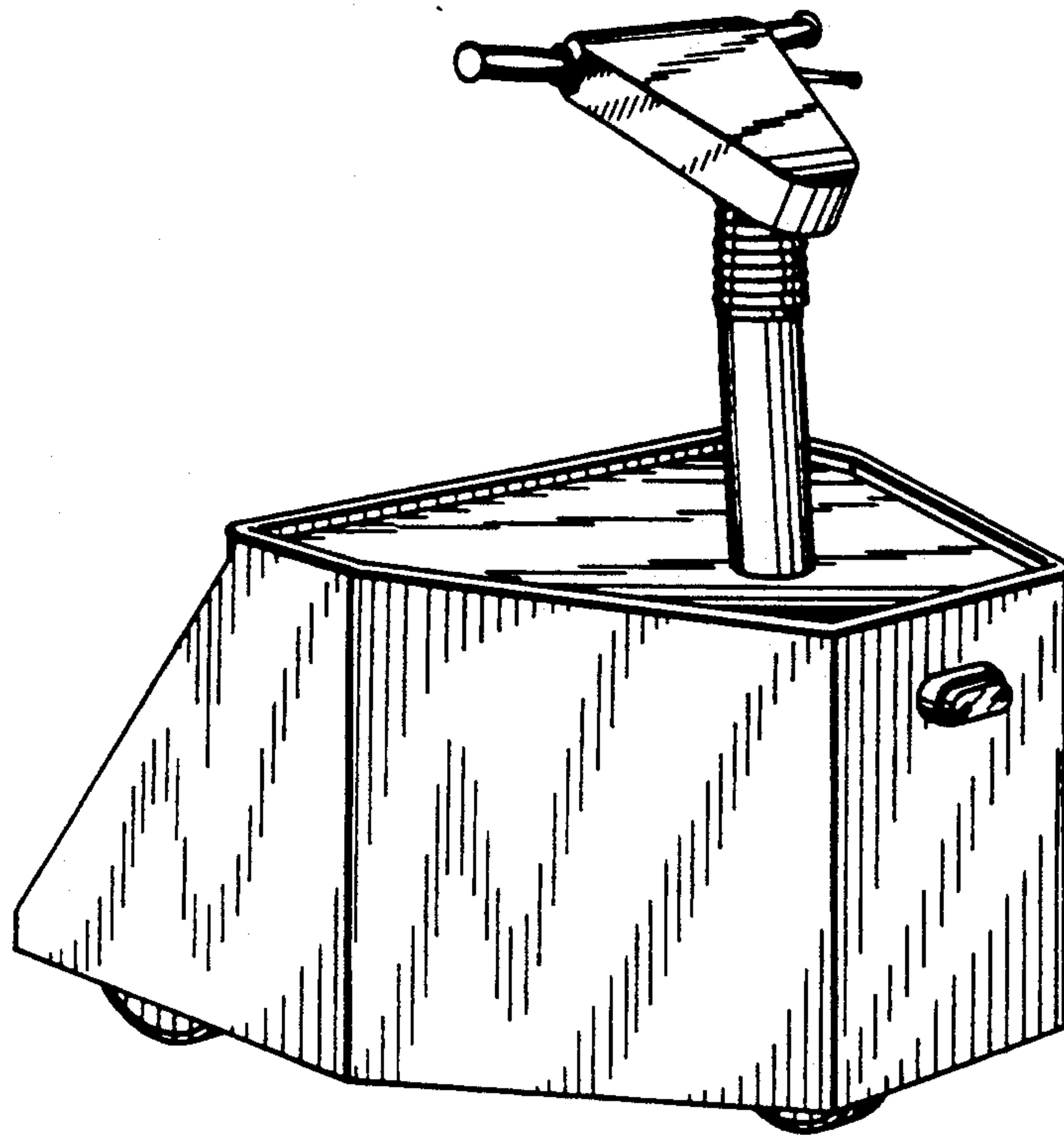


FIG. 6

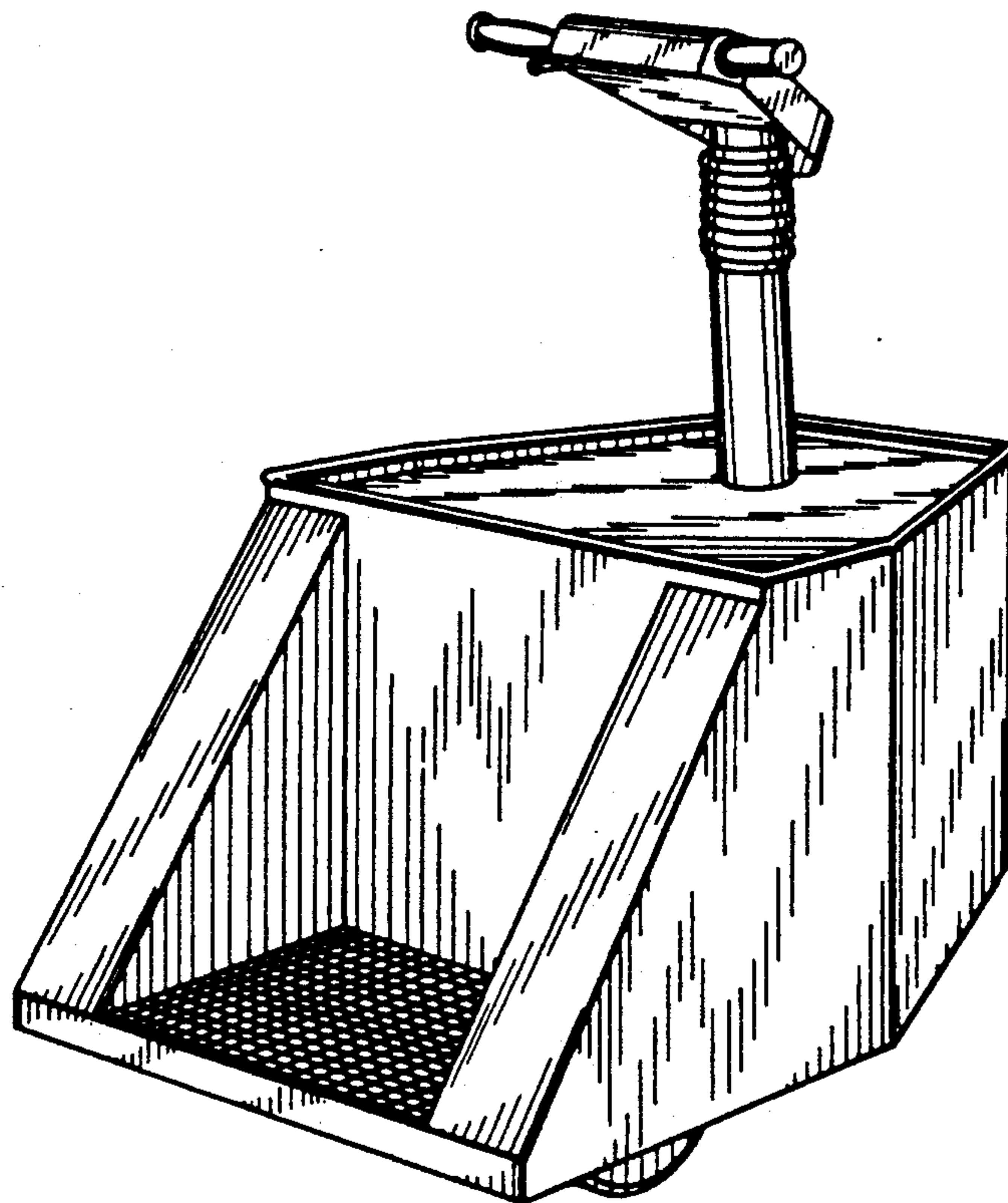


FIG. 7