



US00D323794S

United States Patent [19]

[11] Patent Number: **Des. 323,794**

Wianecki

[45] Date of Patent: **** Feb. 11, 1992**

[54] **COMBINED PLANTER AND LAMP**

[76] Inventor: **Richard A. Wianecki, 405 Tracey Ct., Westmont, Ill. 60559**

[**] Term: **14 Years**

[21] Appl. No.: **411,598**

[22] Filed: **Sep. 25, 1989**

[52] U.S. Cl. **D11/144; D11/152; D26/55; D26/66**

[58] Field of Search **D11/143, 144, 152; D26/55, 66; 47/66, 72, 69; 362/122, 154, 805, 806**

4,052,818	10/1977	Hagerty	47/81
4,117,805	10/1978	Ward	119/5
4,245,434	1/1981	Green	47/80
4,285,164	8/1981	Moore	47/69
4,291,494	9/1981	Knablein et al.	47/17
4,299,054	11/1981	Ware	47/64
4,305,226	12/1981	Brown	47/81
4,324,070	4/1982	Swisher	47/81
4,347,687	9/1982	Sibbel	47/79
4,369,598	1/1983	Beckwith	47/66
4,557,071	12/1985	Fah	47/81
4,782,627	11/1988	Hauk	47/81

Primary Examiner—**B. J. Bullock**
Attorney, Agent, or Firm—**Fitch, Even, Tabin & Flannery**

[56] **References Cited**

U.S. PATENT DOCUMENTS

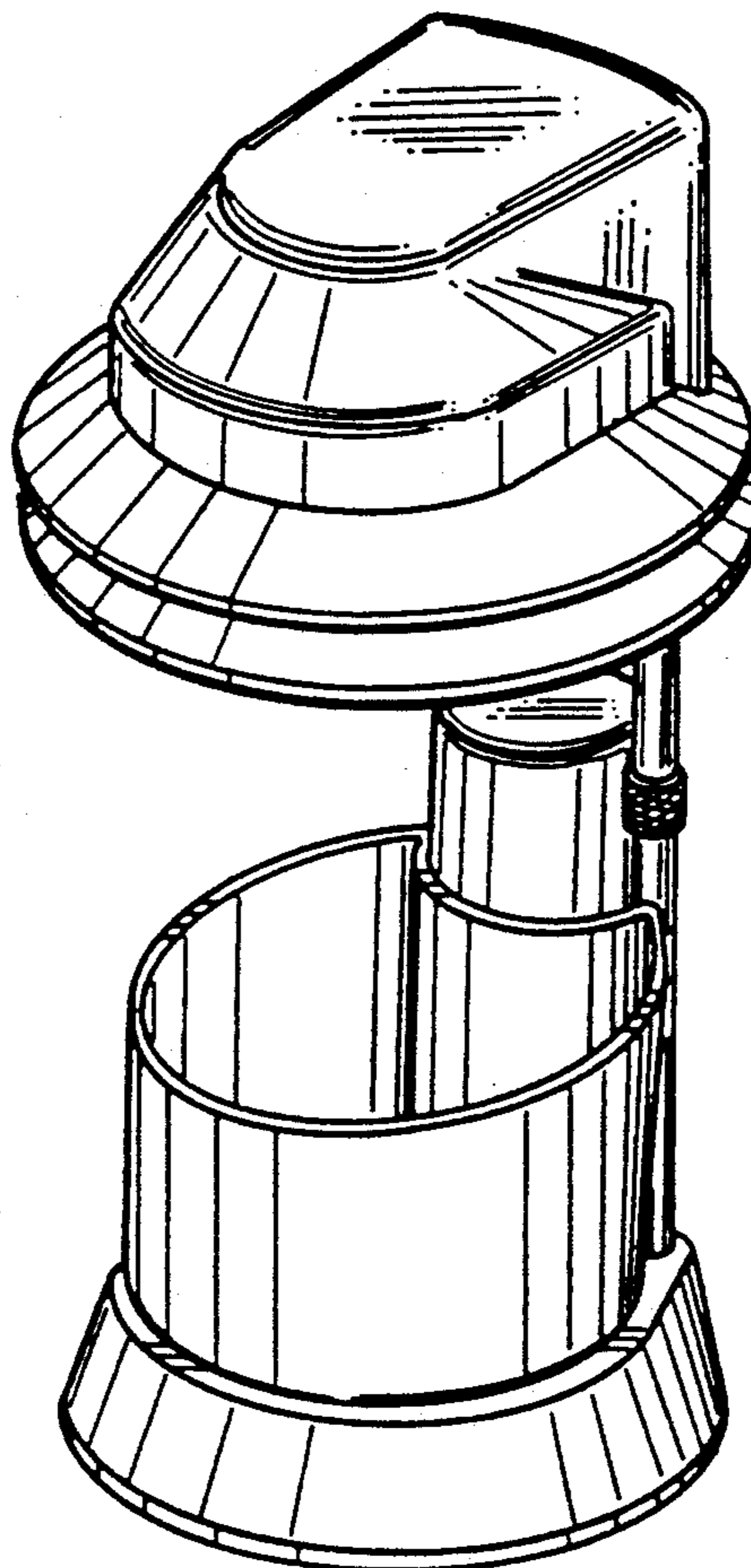
D. 147,040	7/1947	Frontier	D26/55
D. 162,591	3/1951	Stevens	D11/144
D. 195,095	4/1963	Bardos	D11/144
D. 242,941	1/1977	Nagata	D11/144
D. 244,838	6/1977	Le Breux	D11/144
465,219	12/1891	Staley .	
1,231,976	7/1917	Weitzel .	
2,060,005	11/1936	Fletcher et al.	D26/55
2,300,776	11/1942	Collins	47/38
3,683,548	8/1972	Hagerty	47/38.1
3,939,338	2/1976	Giammalvo .	
4,042,150	8/1977	Roos	222/70

[57] **CLAIM**

The ornamental design for a combined planter and lamp, as shown.

DESCRIPTION

FIG. 1 is a perspective view of a combined planter and lamp showing my new design;
FIG. 2 is a top plan view thereof;
FIG. 3 is a front elevational view thereof;
FIG. 4 is a rear elevational view thereof;
FIG. 5 is a right side elevational view thereof, the left side being a mirror image;
FIG. 6 is a bottom plan view thereof.



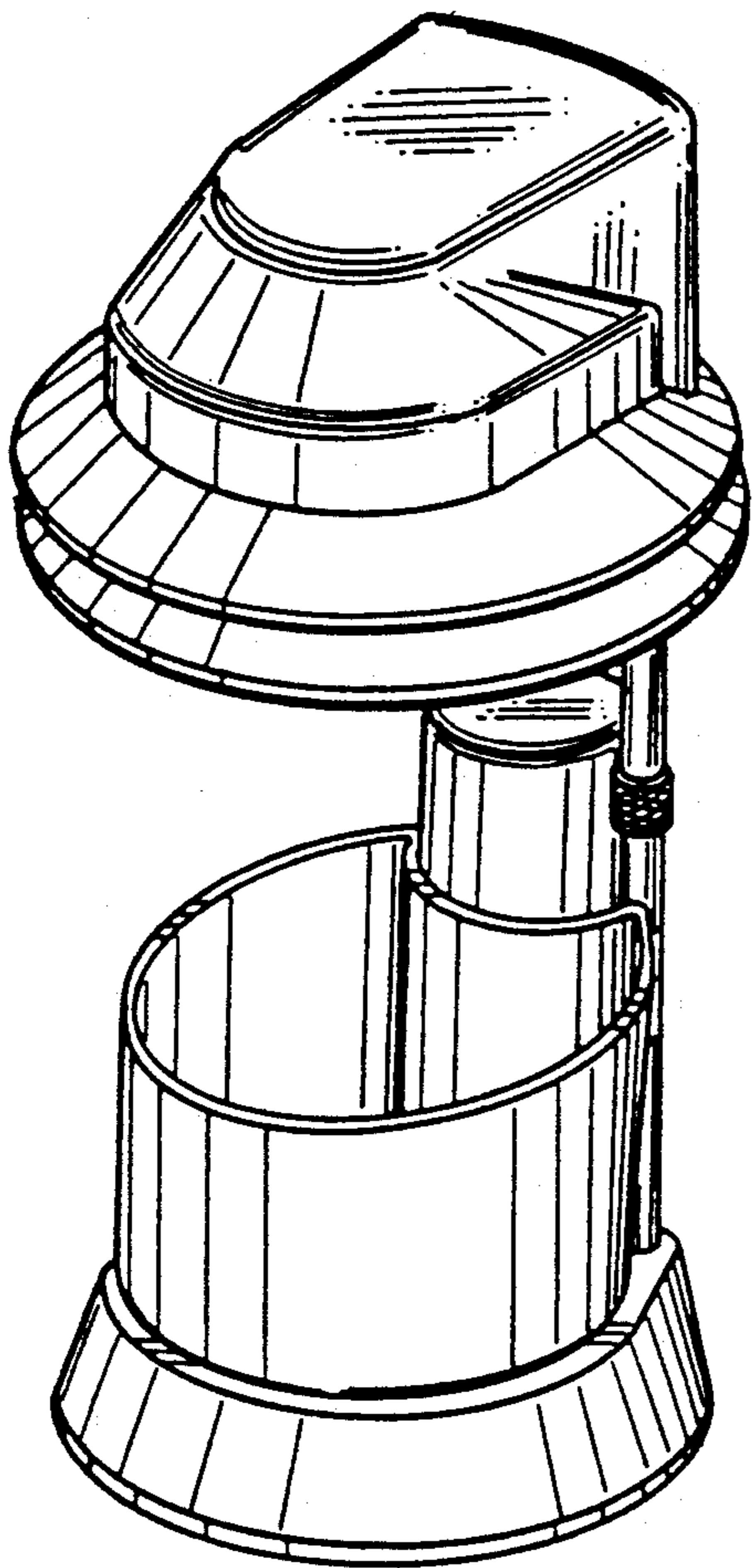


FIG. 1

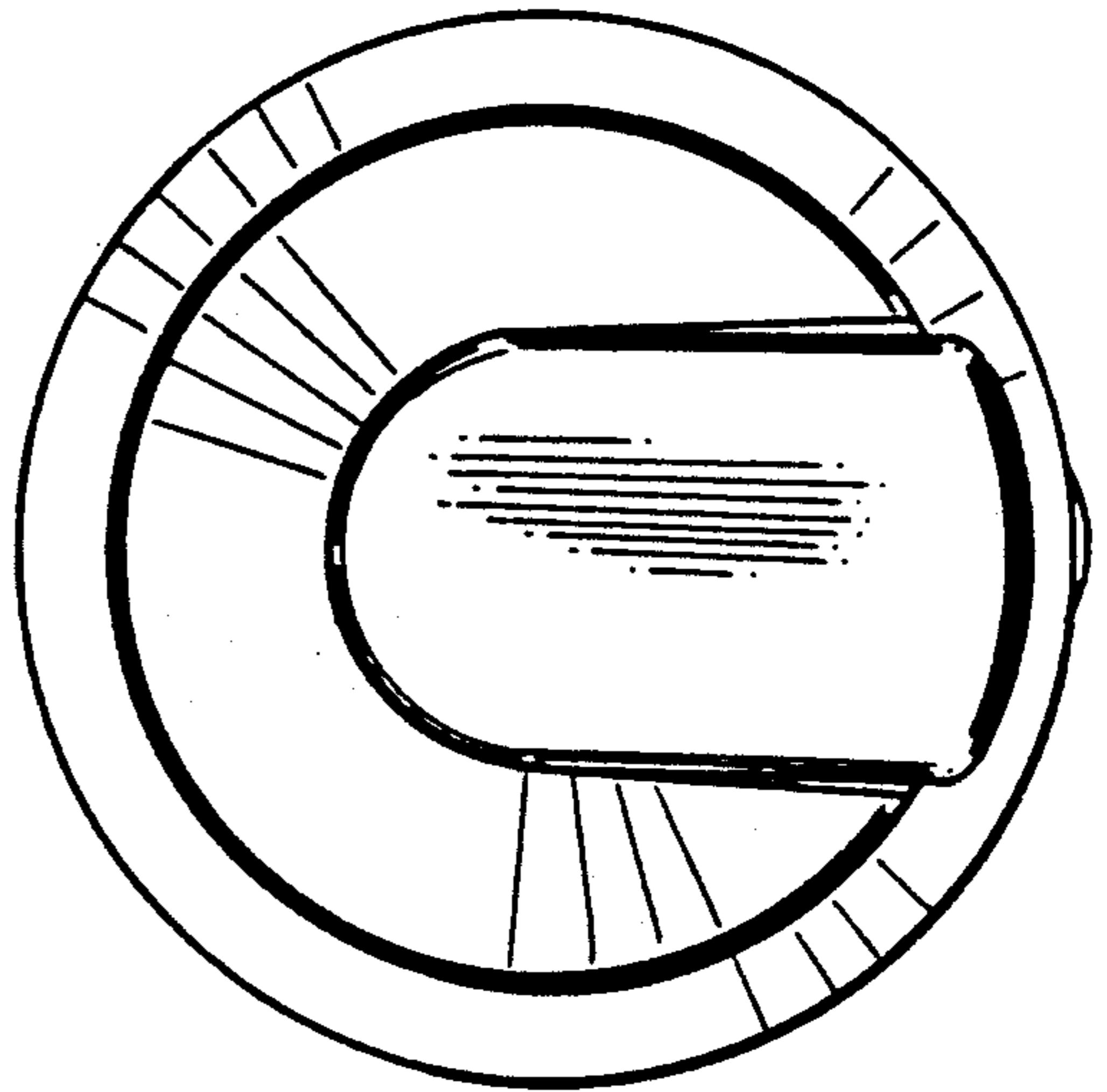


FIG. 2

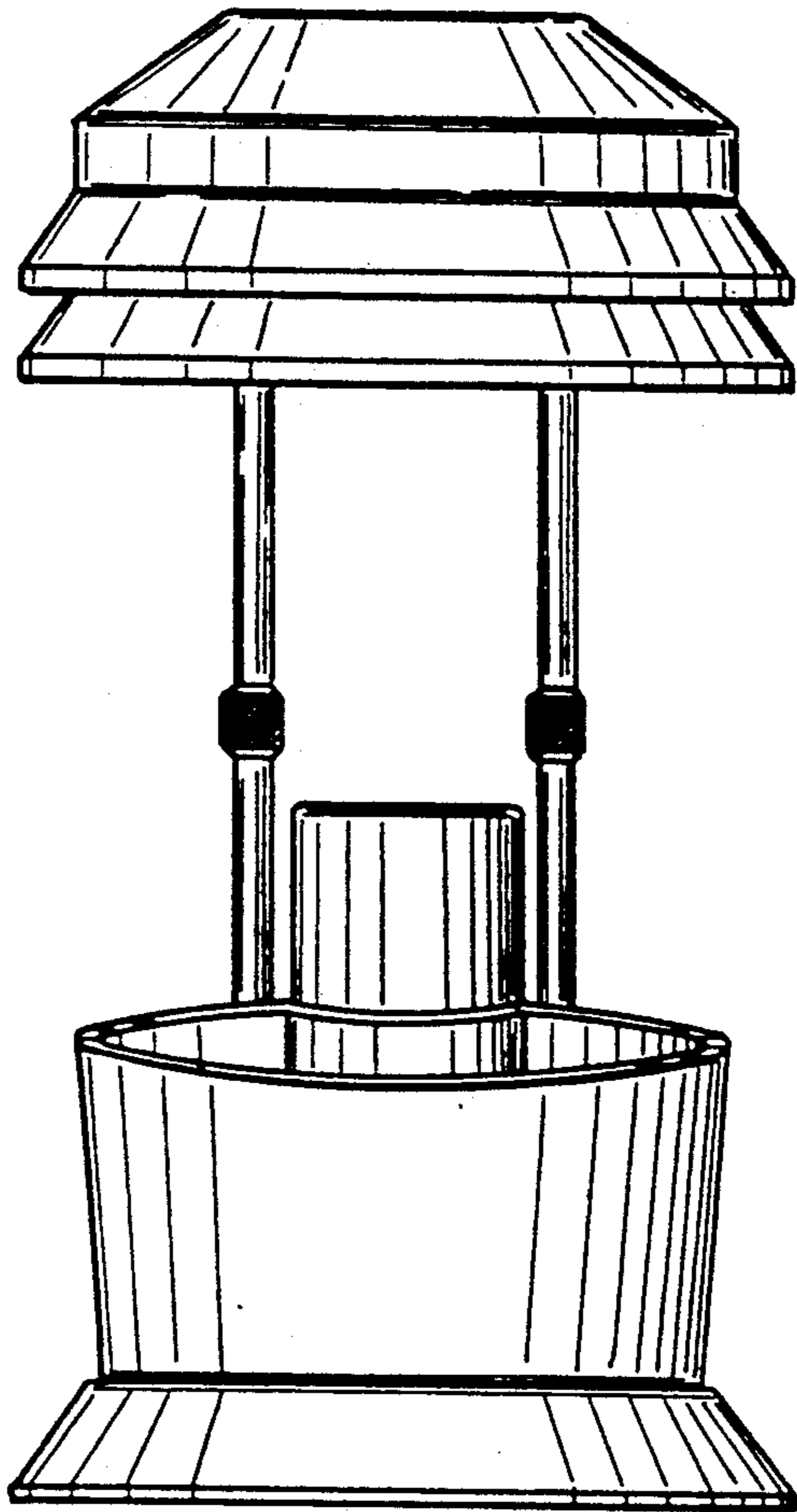


FIG. 3

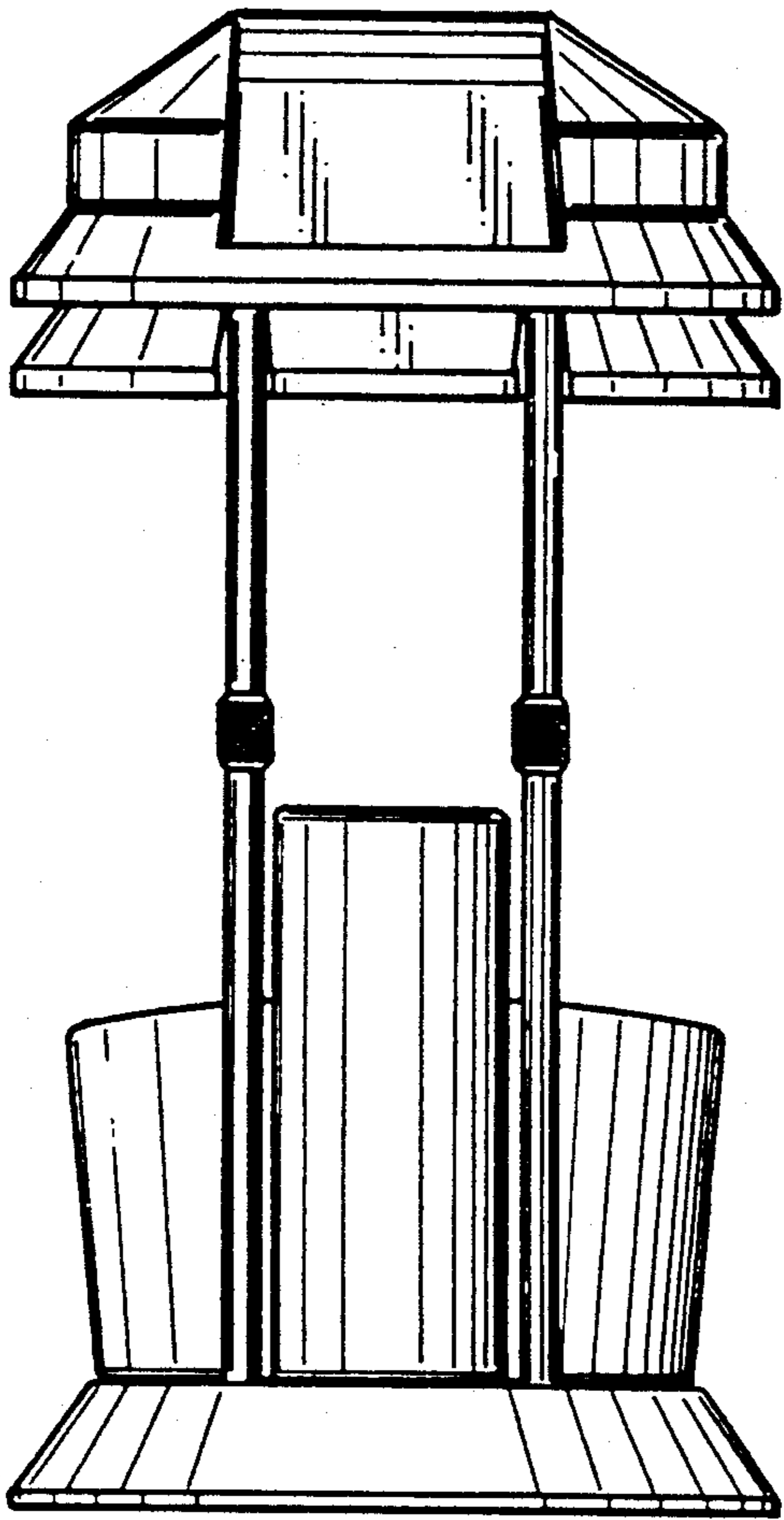


FIG. 4

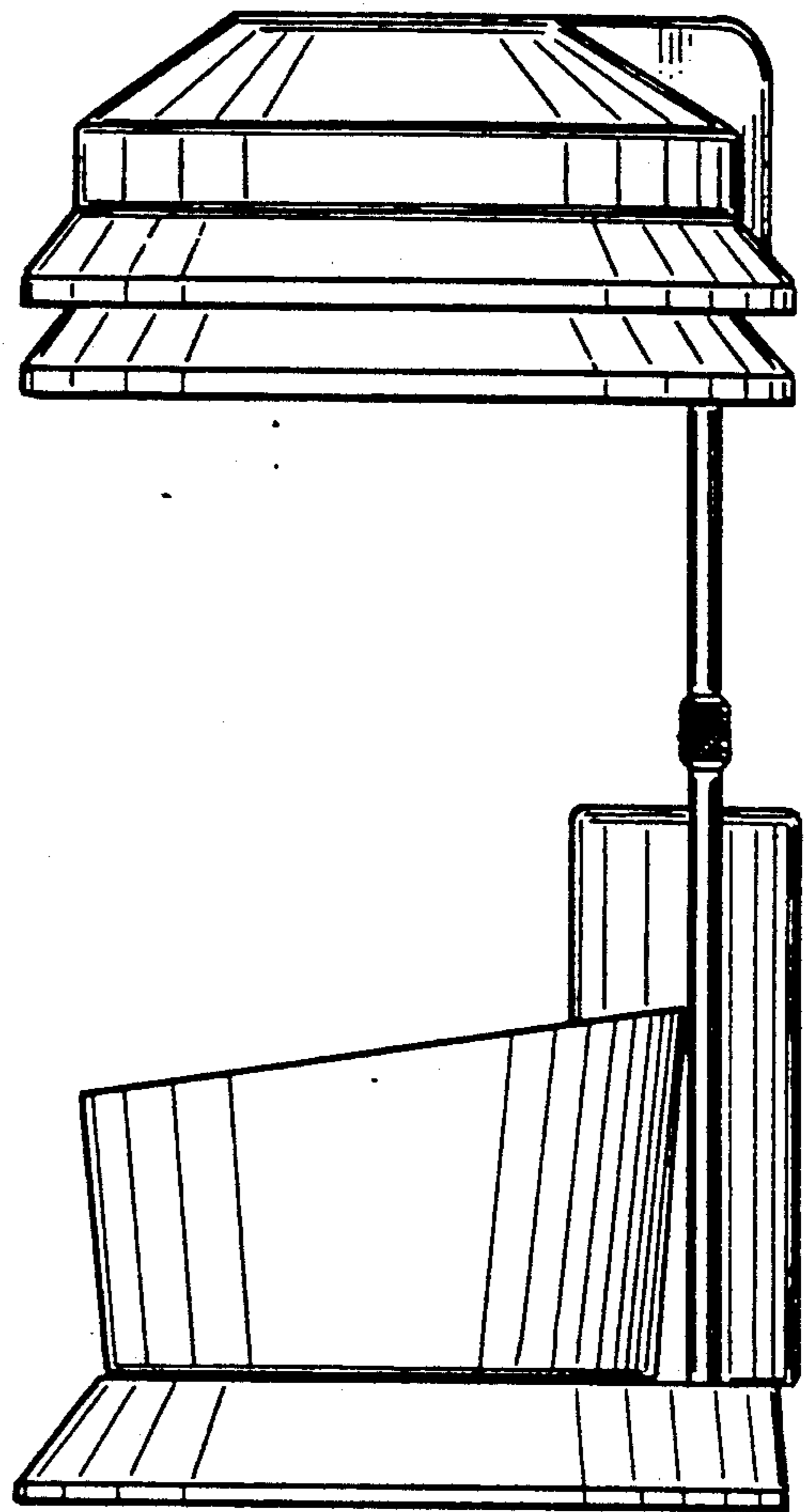


FIG. 5

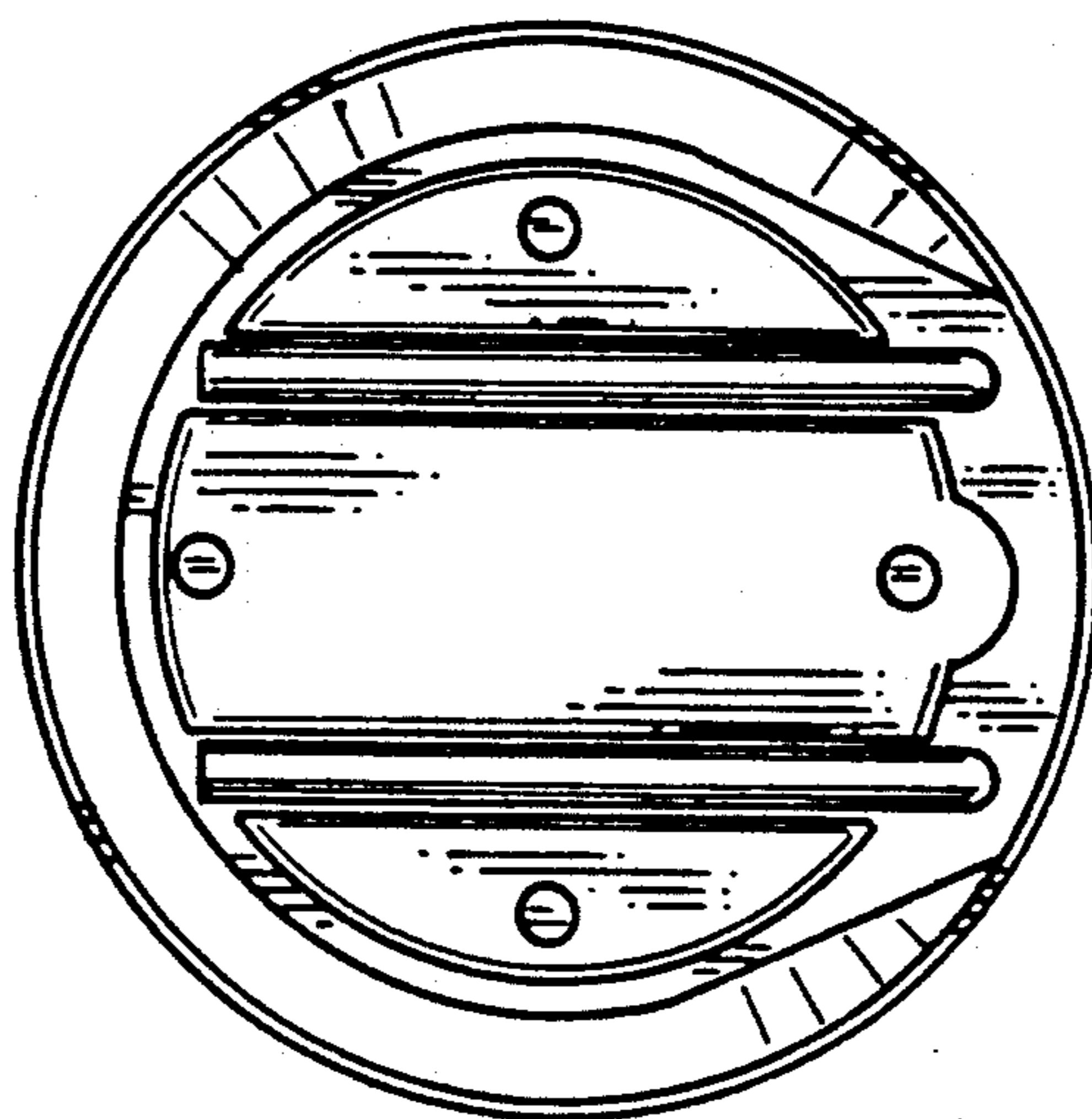


FIG. 6