



US00D323778S

# United States Patent [19]

[11] Patent Number: **Des. 323,778**

**Roman**

[45] Date of Patent: **\*\* Feb. 11, 1992**

[54] **DOOR STOP**

4,230,353 10/1980 Bjorgum ..... 292/343

[76] Inventor: **Bernard J. Roman**, 7241 Wembley Ter. W., Toledo, Ohio 43617

*Primary Examiner*—B. J. Bullock  
*Attorney, Agent, or Firm*—Terry M. Gernstein

[\*\*] Term: **14 Years**

[57] **CLAIM**

[21] Appl. No.: **551,728**

The ornamental design for a door stop, as shown and described.

[22] Filed: **Jul. 12, 1990**

[52] U.S. Cl. .... **D8/402**

[58] Field of Search ..... **D8/402; 16/82, 86 R; 292/343, 288, 339**

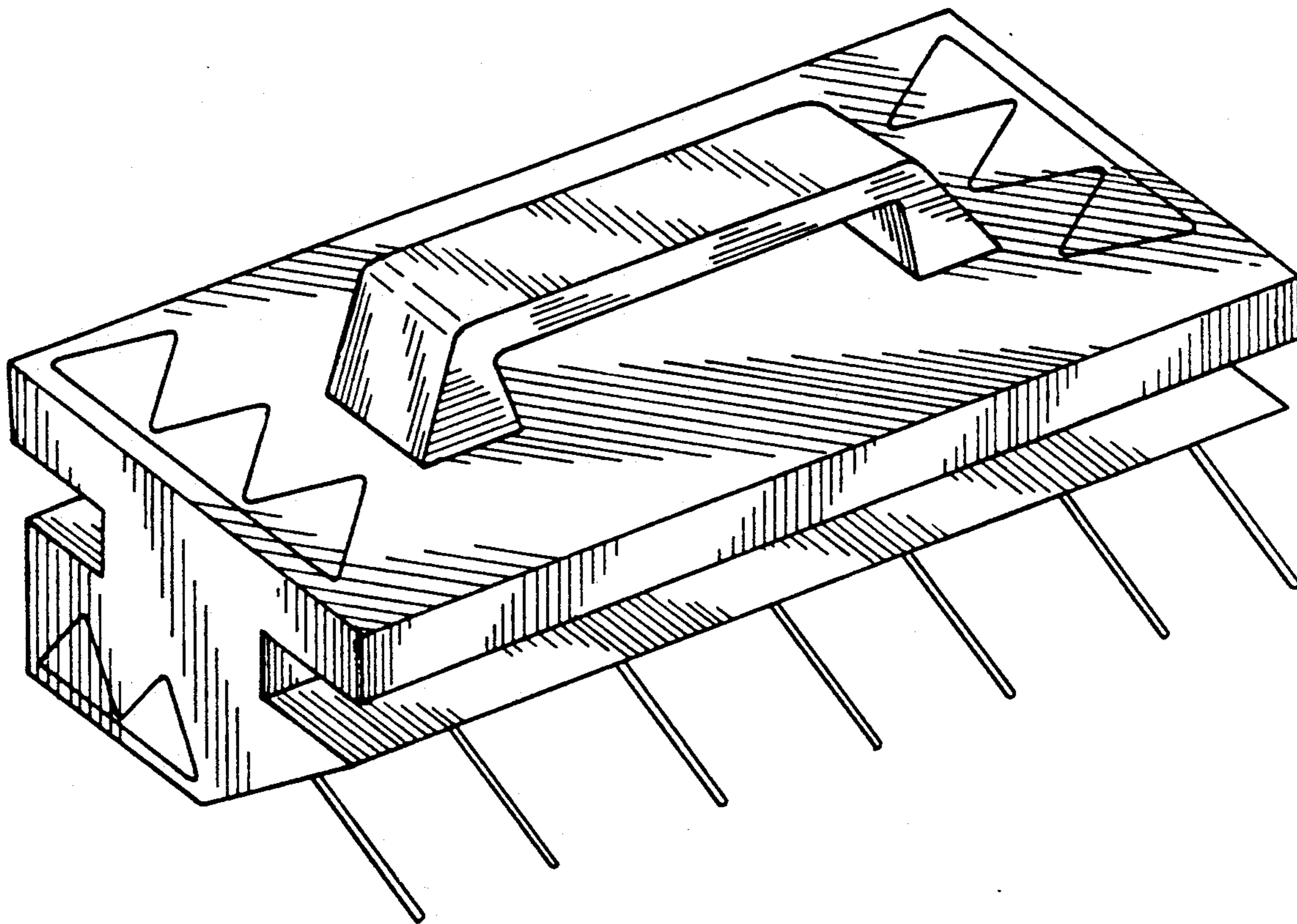
### DESCRIPTION

### [56] References Cited

#### U.S. PATENT DOCUMENTS

2,568,477	9/1951	Westlund	16/82
3,328,065	6/1967	Arenson	292/343
4,208,841	6/1980	Starks	292/343

FIG. 1 is a perspective view of a door stop embodying my new design;  
FIG. 2 is a front elevational view thereof;  
FIG. 3 is a rear elevational view thereof;  
FIG. 4 is a left side elevational view thereof, the right side being a mirror image;  
FIG. 5 is a top plan view thereof; and  
FIG. 6 is a bottom plan view thereof.



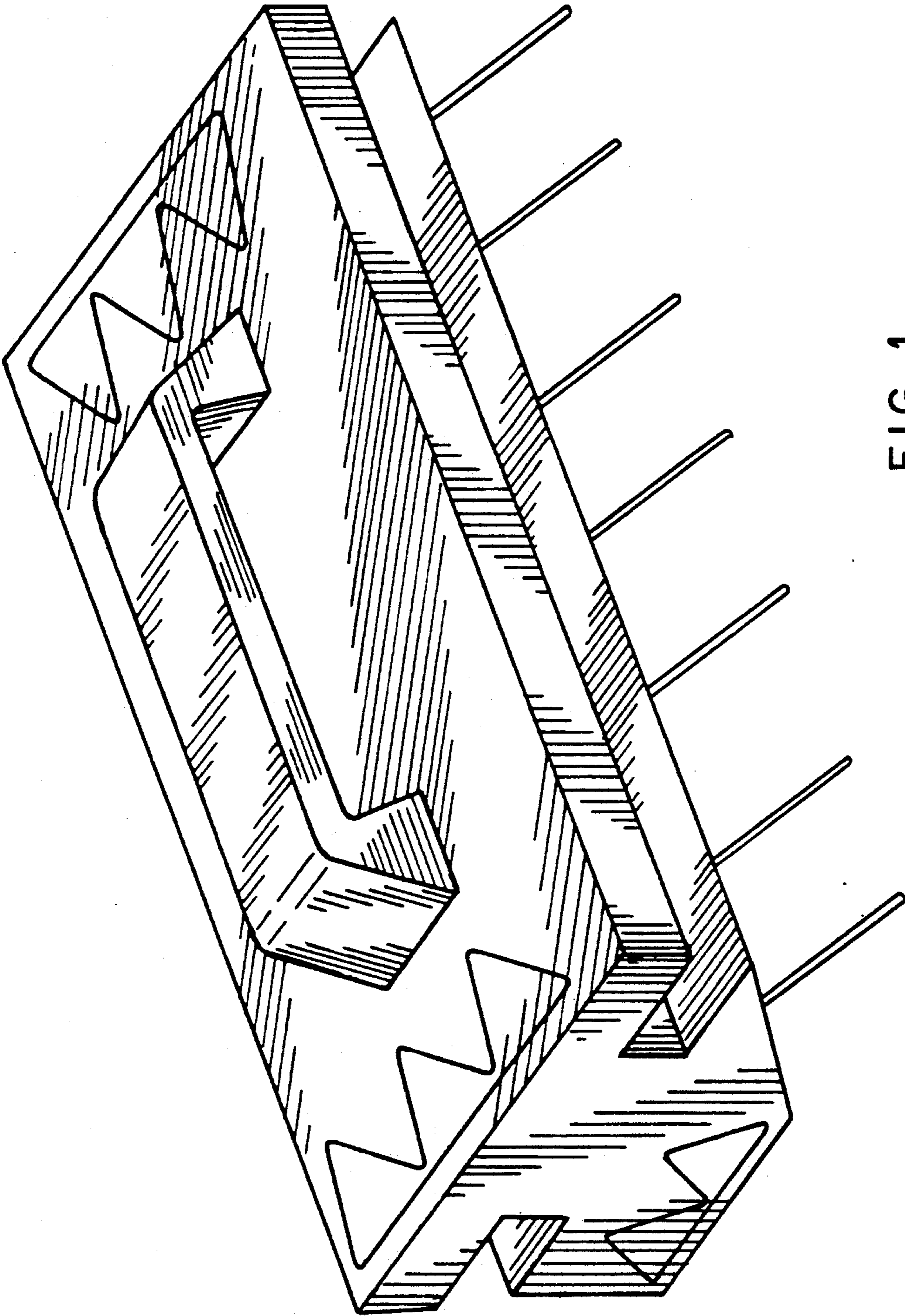


FIG. 1

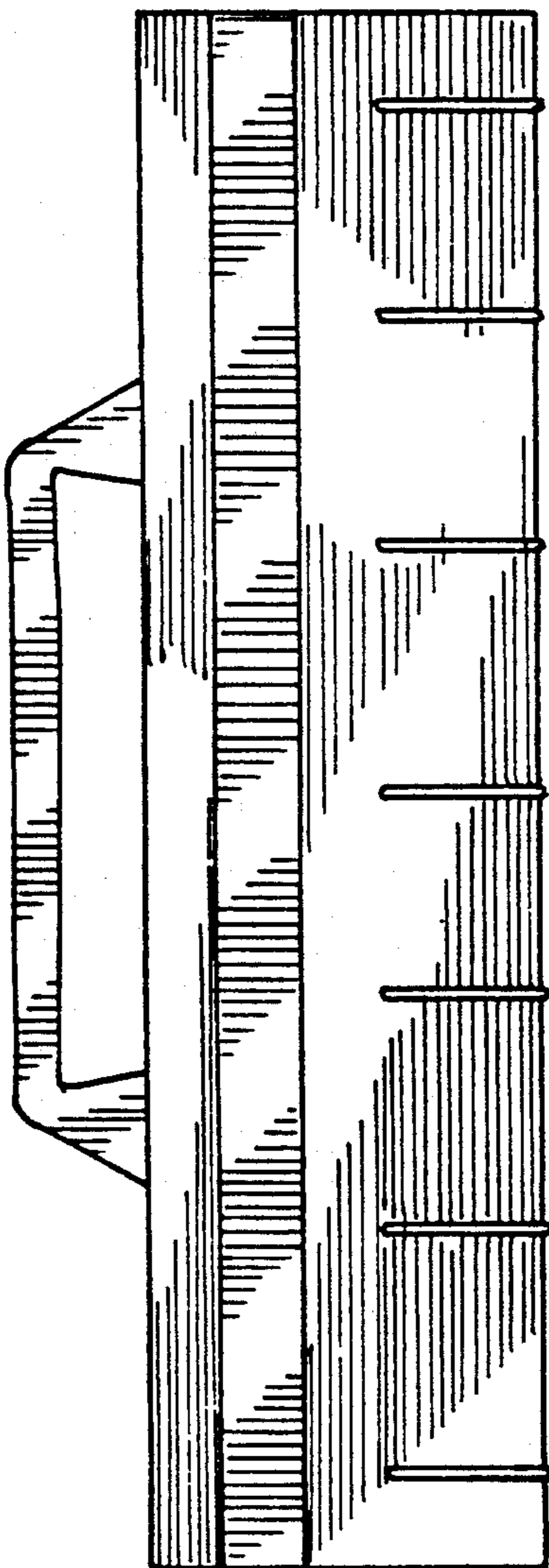


FIG. 2

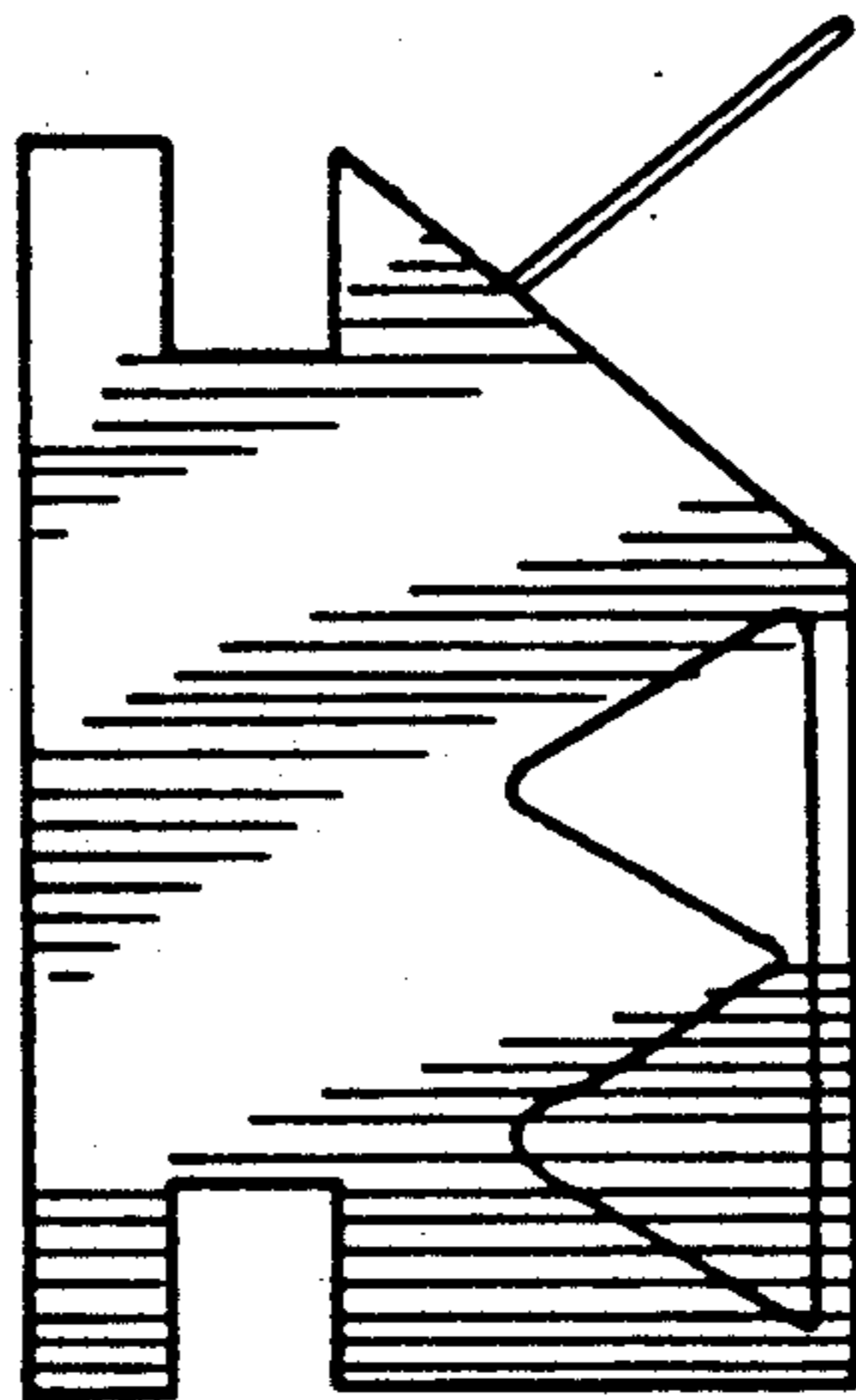


FIG. 4

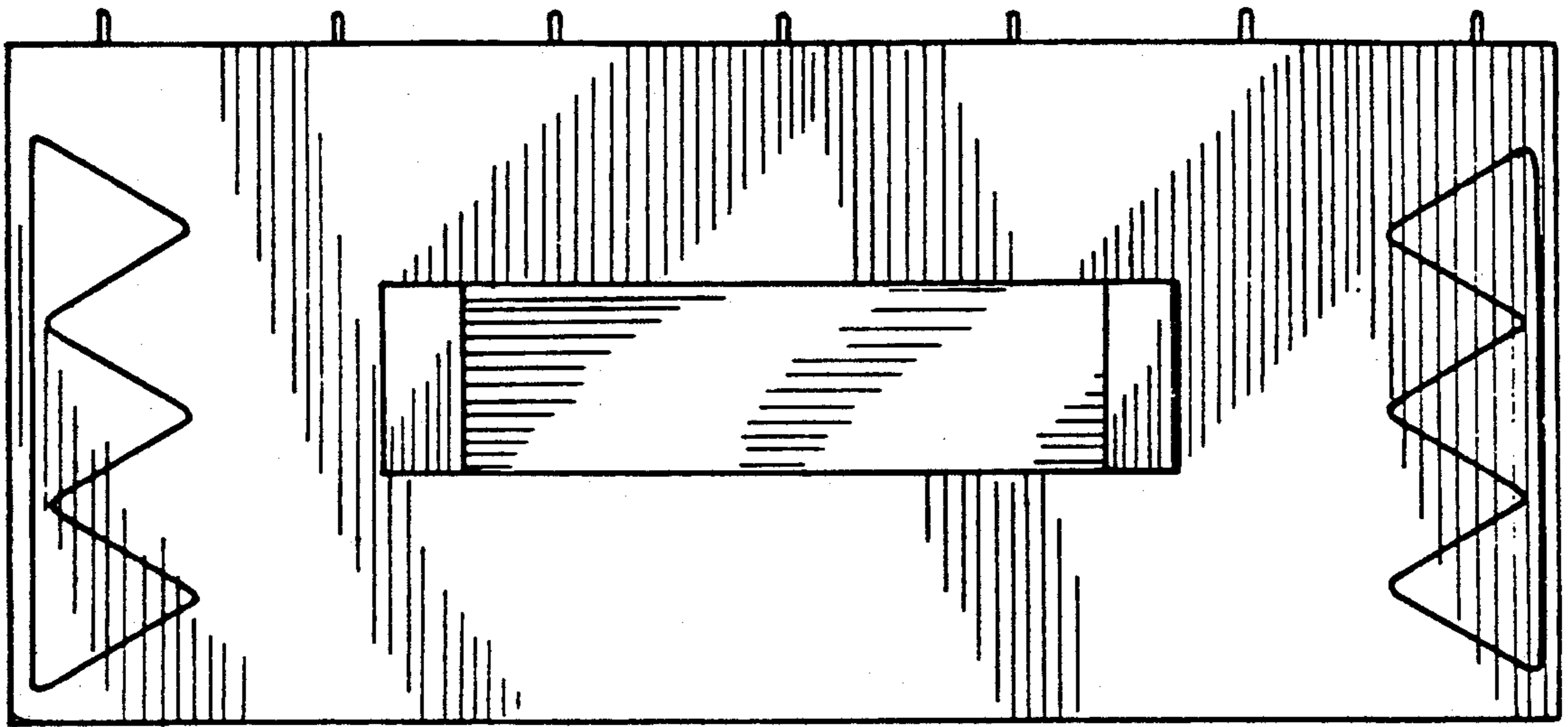


FIG. 5

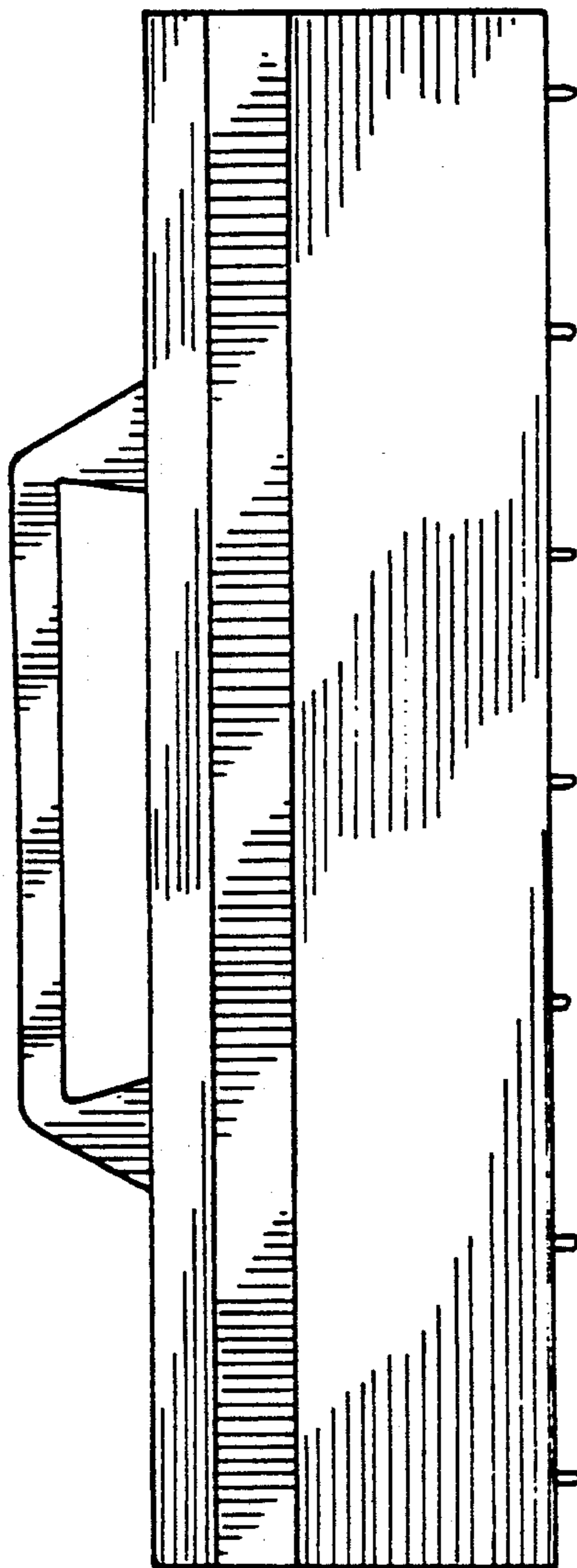


FIG. 3

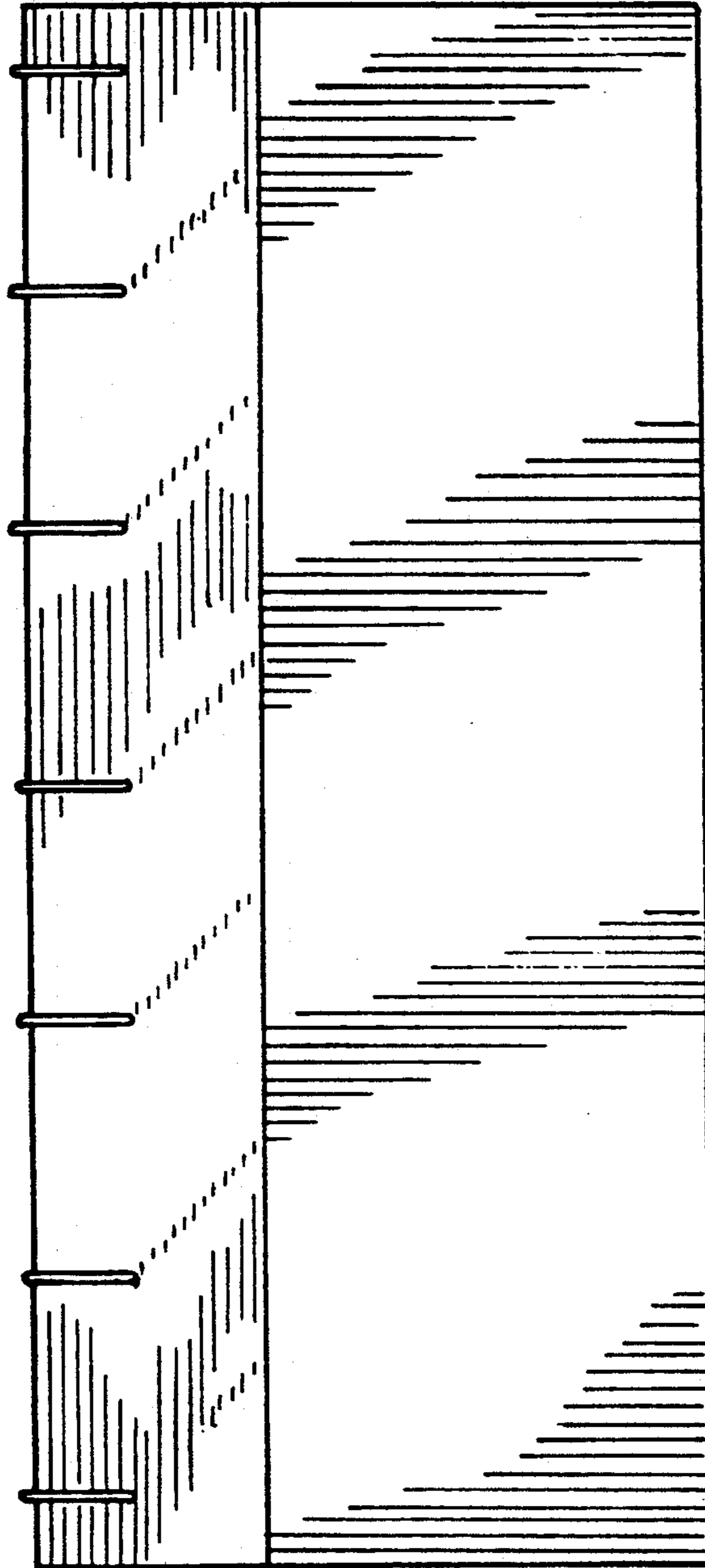


FIG. 6