



US00D323777S

# United States Patent [19]

Knox, III

[11] Patent Number: Des. 323,777

[45] Date of Patent: \*\* Feb. 11, 1992

[54] BRACKET TO SUPPORT ROOF SHAKES OR A SIMILAR ARTICLE

[76] Inventor: Ulysses G. Knox, III, 4008 Wooster Dr., Oceanside, Calif. 92056

[\*\*] Term: 14 Years

[21] Appl. No.: 569,459

[22] Filed: Aug. 20, 1990

[52] U.S. Cl. .... D8/380; D6/574; 248/237

[58] Field of Search ..... D8/380; 248/237; D6/419, 420, 430, 418, 436, 430, 574, 567

[56] **References Cited**

**U.S. PATENT DOCUMENTS**

66,341	7/1864	Holden et al. ....	248/237
D. 185,897	8/1959	Stark .....	D6/574
D. 255,193	6/1980	Heitz .....	D6/419
D. 287,914	1/1987	Wolf .....	D6/420
D. 292,249	10/1987	Stade .....	D6/419
D. 295,589	5/1988	Walker .....	D6/419
D. 306,535	3/1990	Evenson .....	D6/419
302,896	8/1884	Daily .....	248/237
489,402	1/1893	Wilkes .....	248/237
753,531	3/1904	Adams .....	248/237

884,507	4/1908	Lasley .....	248/237
940,957	11/1909	Demany .....	248/957
1,043,838	11/1912	Howard .....	248/237
1,154,855	9/1915	Gallup .....	248/237
1,159,372	11/1915	Goff .....	248/237
1,194,984	8/1916	Fiehler .....	248/237
1,301,533	4/1919	Anderson .....	248/237
1,562,965	11/1925	Herpschm, Jr. ....	248/237
1,599,209	9/1926	Cashman .....	248/237
1,661,192	3/1928	Nelson .....	248/237
1,803,788	5/1931	Brown .....	247/237
2,616,774	11/1953	Prince .....	D6/430
2,845,206	7/1958	Currie .....	248/237
4,844,264	7/1989	Deskiewicz, Jr. ....	D6/420

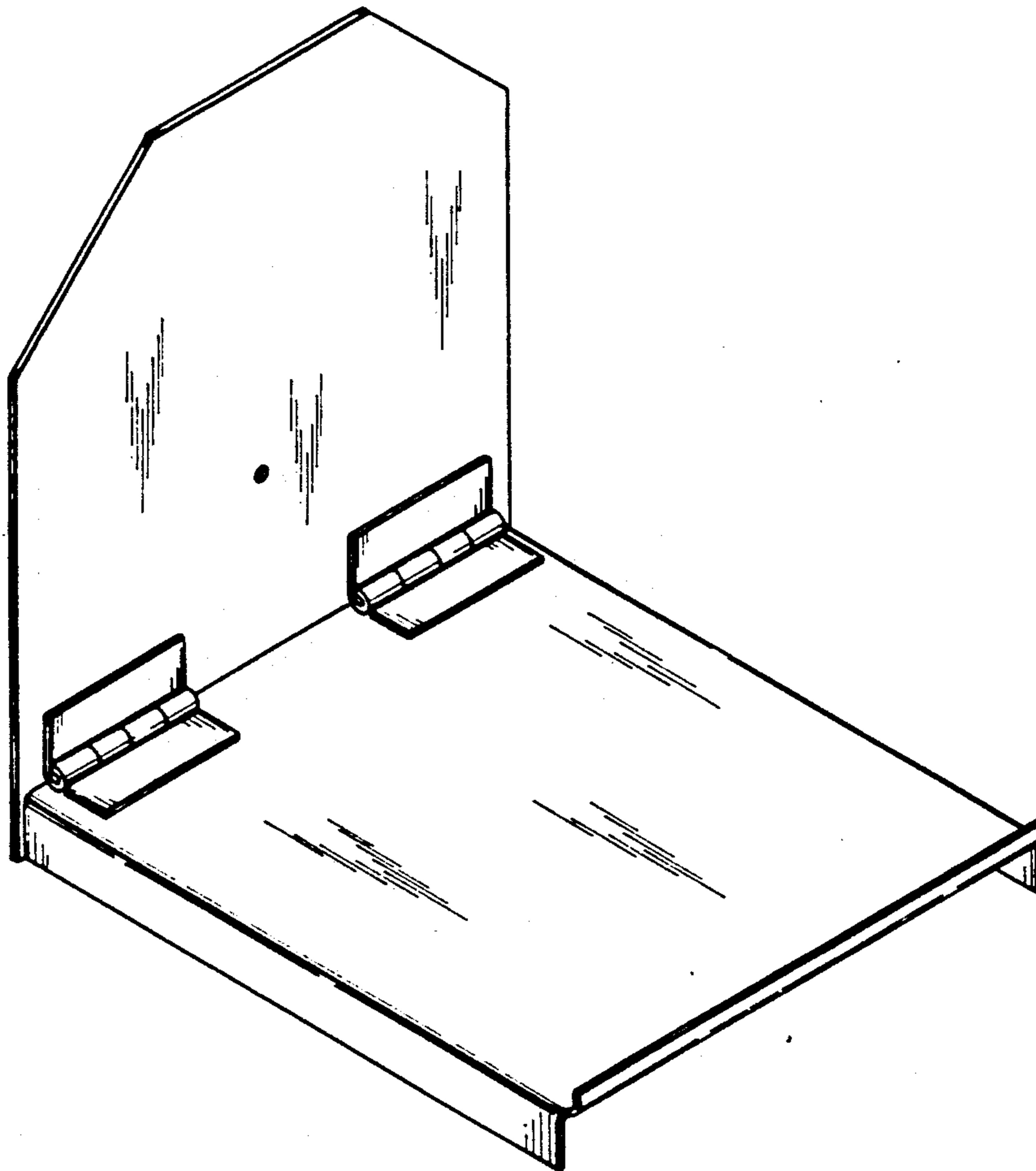
Primary Examiner—Horace B. Fay, Jr.  
Attorney, Agent, or Firm—Duane C. Bowen

[57] **CLAIM**

The ornamental design for bracket to support roof shakes or a similar article, as shown and described.

**DESCRIPTION**

FIG. 1 is a front, left side and top perspective view from above showing my new design for a bracket to support roof shakes or a similar article;  
FIG. 2 is a right side elevational view thereof;  
FIG. 3 is a rear elevational view thereof; and  
FIG. 4 is a bottom plan view thereof.



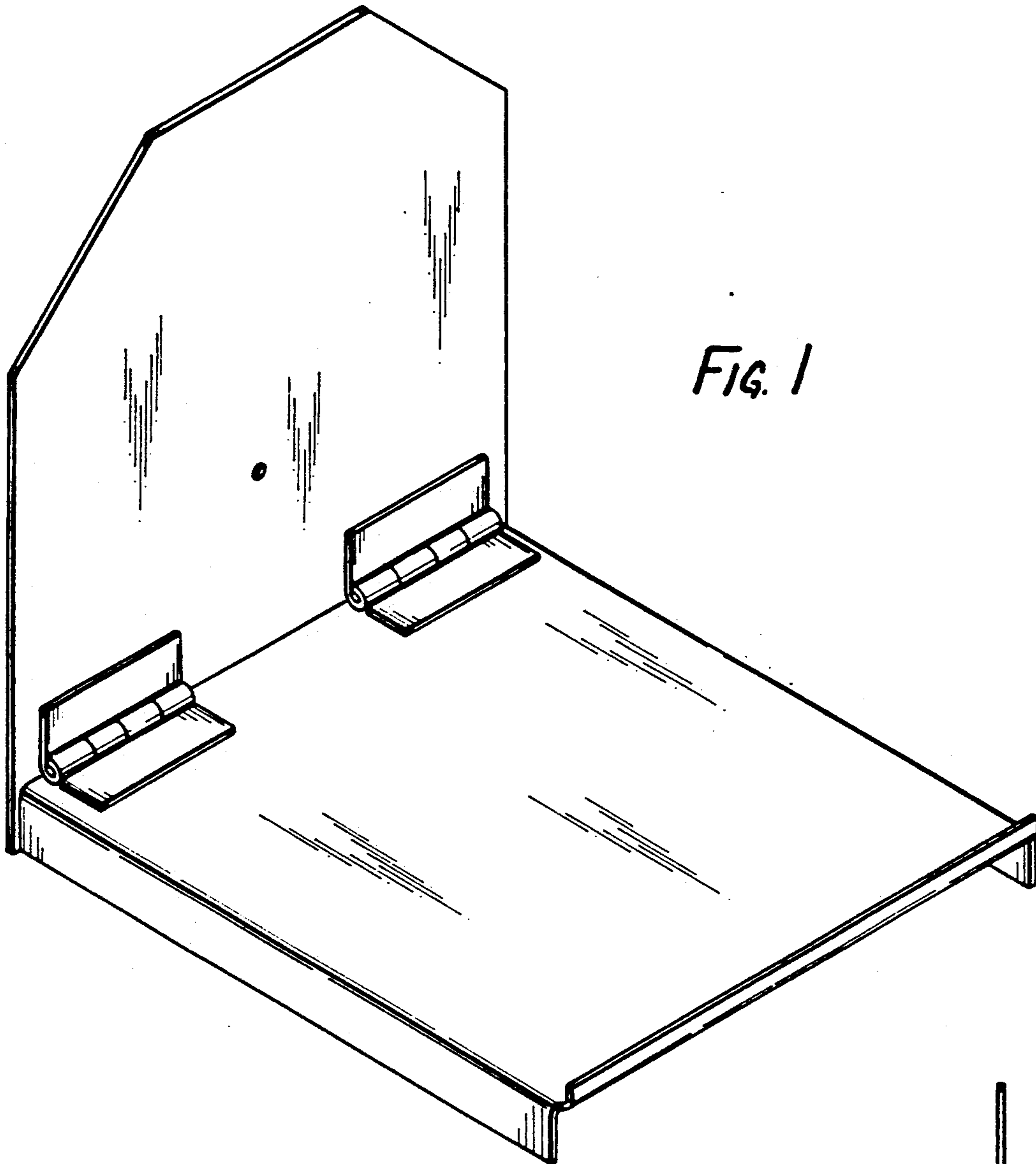


FIG. 1

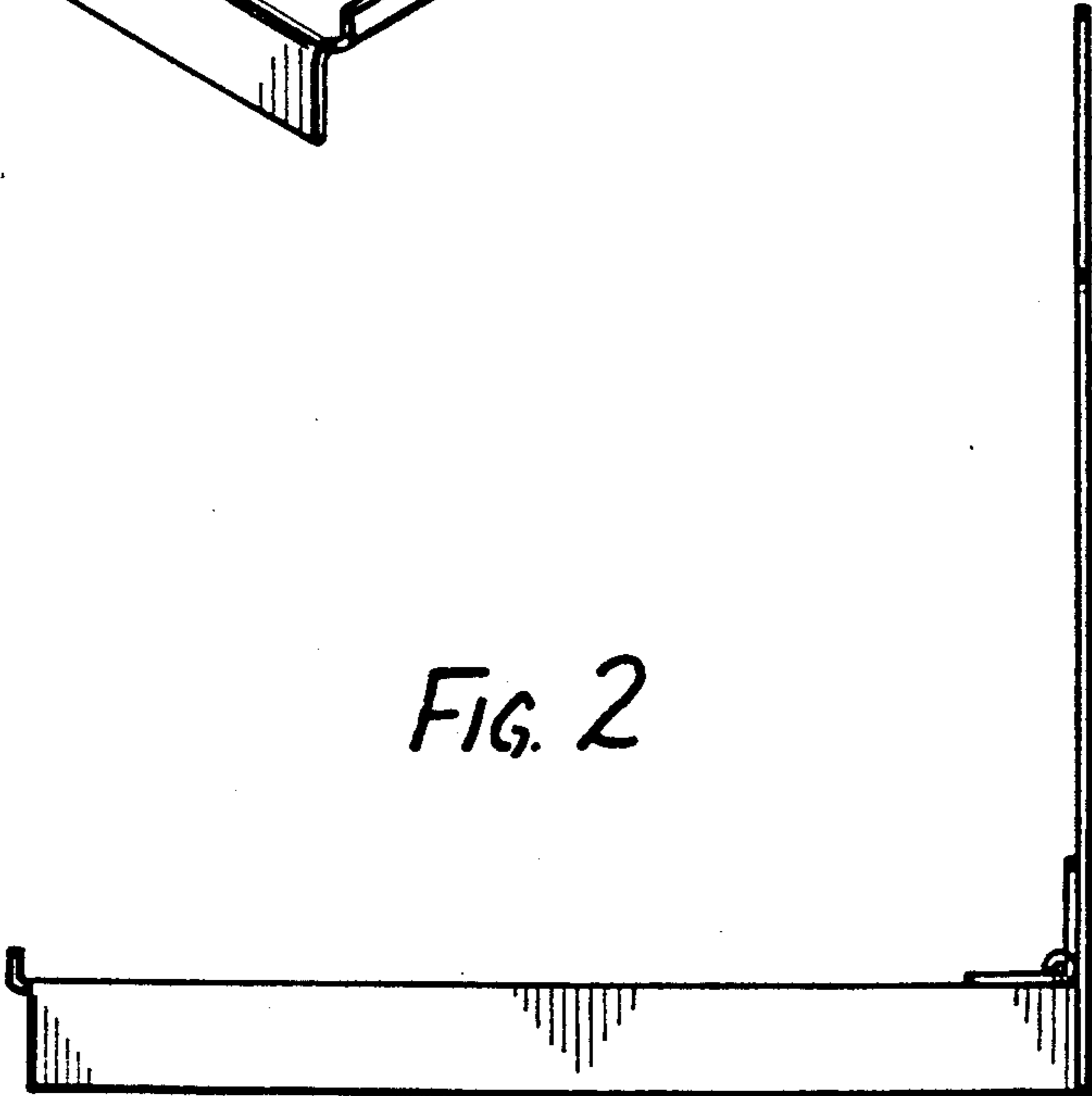
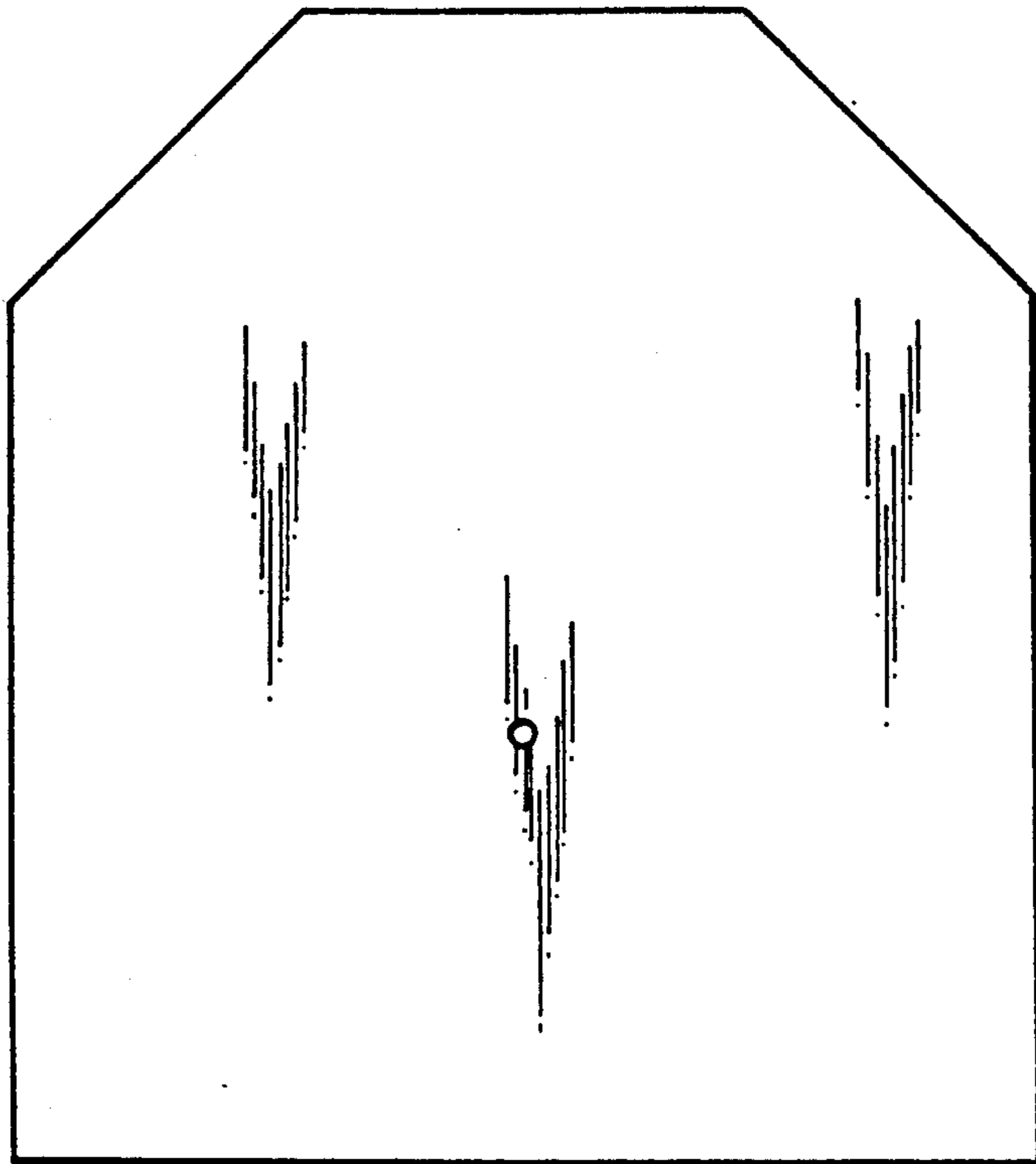


FIG. 2

*FIG. 3*



*FIG. 4*

