



US00D323776S

# United States Patent [19]

[11] Patent Number: **Des. 323,776**

Hansen

[45] Date of Patent: **\*\* Feb. 11, 1992**

## [54] T-HANDLE LATCH PLATE

[75] Inventor: **William Hansen, Waukegan, Ill.**

[73] Assignee: **A. L. Hansen Manufacturing Company, Waukegan, Ill.**

[\*\*] Term: **14 Years**

[21] Appl. No.: **477,664**

[22] Filed: **Feb. 9, 1990**

[52] U.S. Cl. .... **D8/338**

[58] Field of Search ..... **D8/330-346; 70/77, 141, 208-209, 471, 478, 483**

## [56] References Cited

### U.S. PATENT DOCUMENTS

- D. 271,562 11/1983 Weinerman ..... D8/338
- D. 316,365 4/1991 Hansen et al. .... D8/331
- 3,871,198 3/1975 Miller ..... 70/208 X

### OTHER PUBLICATIONS

Eberhard Catalogue #103 (1986), p. 31—circular latch.  
 Eberhard Catalogue (1978), Sec. 4, p. 5—recessed lock handle.

*Primary Examiner*—Brian N. Vinson  
*Attorney, Agent, or Firm*—William Brinks Olds Hofer Gilson & Lione

## [57] CLAIM

The ornamental design for a T-handle latch plate, as shown and described.

## DESCRIPTION

FIG. 1 is a top, front, and left side perspective view of a T-handle latch plate showing my new design;  
 FIG. 2 is a front elevational view thereof;  
 FIG. 3 is a top plan view thereof;  
 FIG. 4 is a right side elevational view thereof, the left side being a mirror image of that shown;  
 FIG. 5 is a bottom plan view thereof;  
 FIG. 6 is a front elevational view thereof, showing the handle rotated into its stowed position;  
 FIG. 7 is a right side elevational view thereof, showing the handle rotated into its stowed position, the left side being a mirror image of that shown; and  
 FIG. 8 is a front elevational view of an alternative embodiment thereof, the only difference being the inclusion of a key cylinder face.

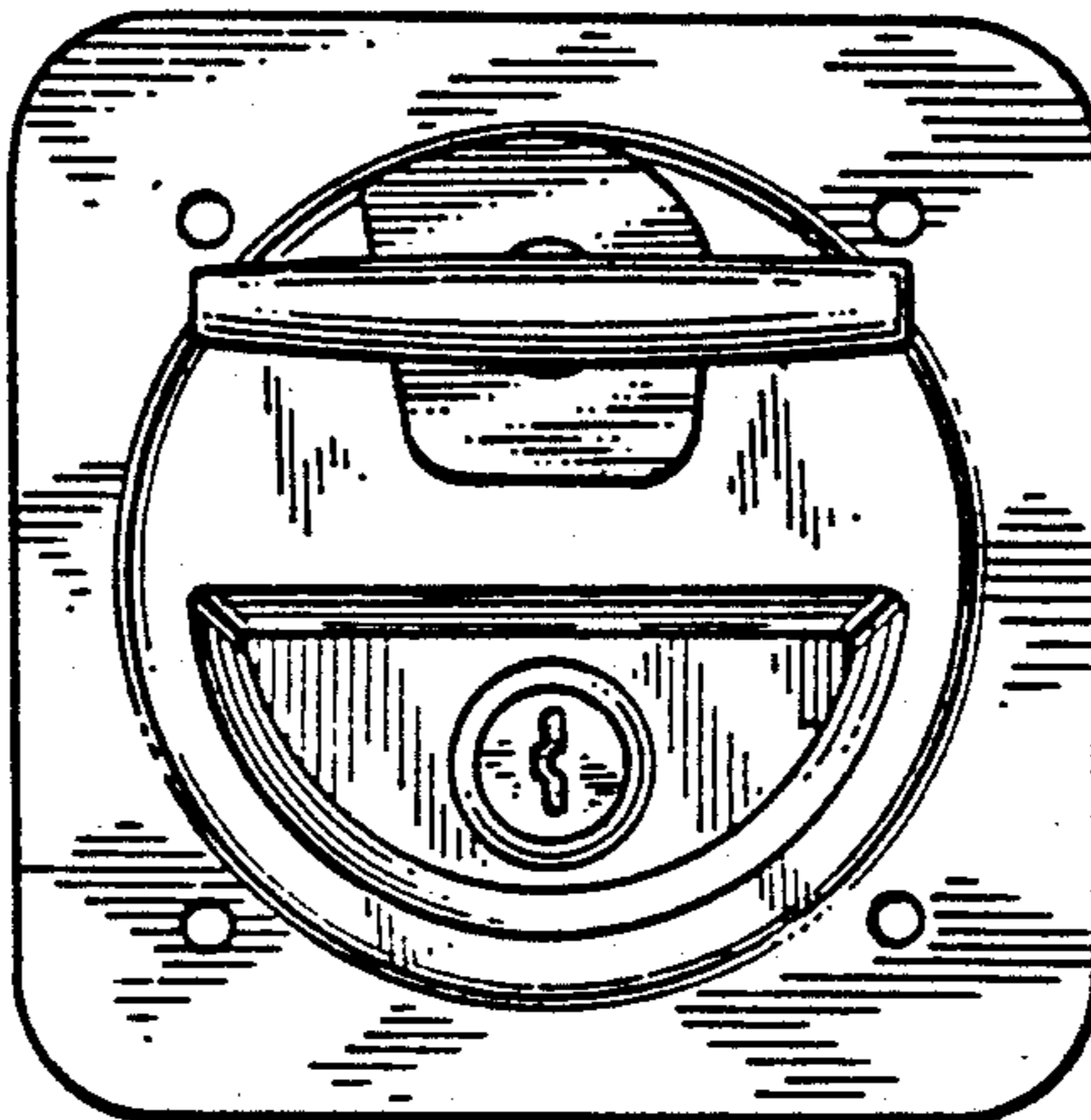
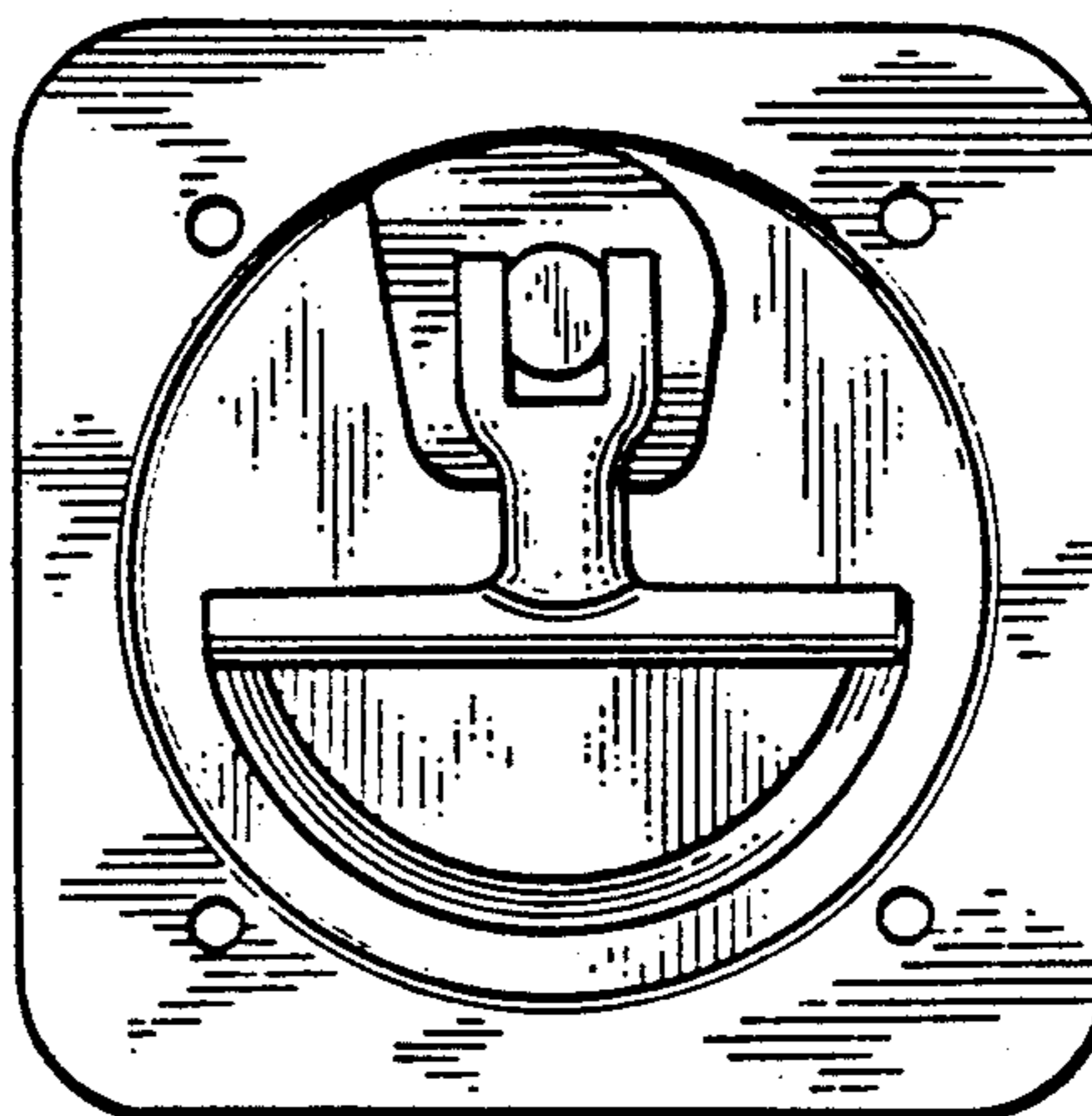
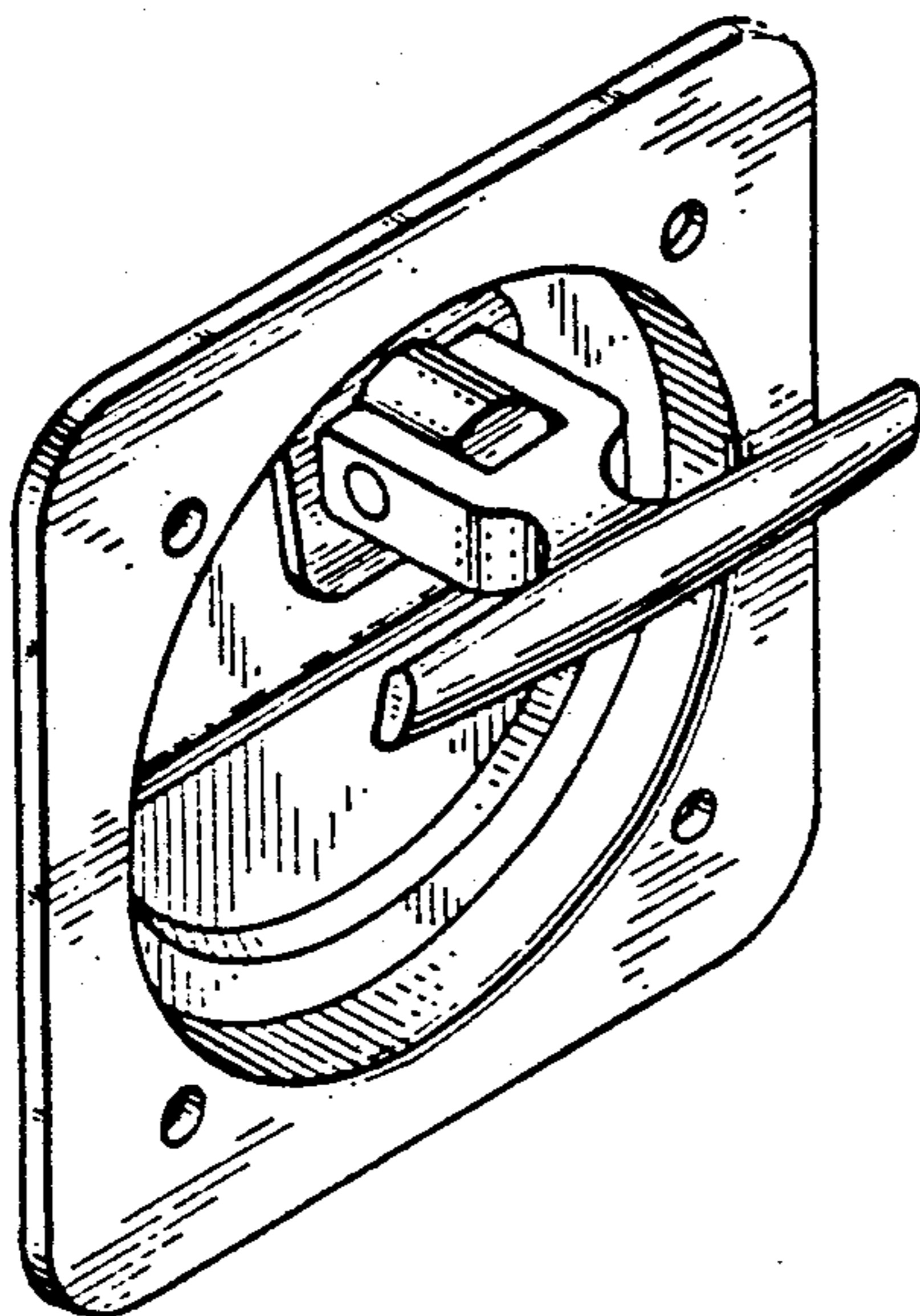


FIG. 1

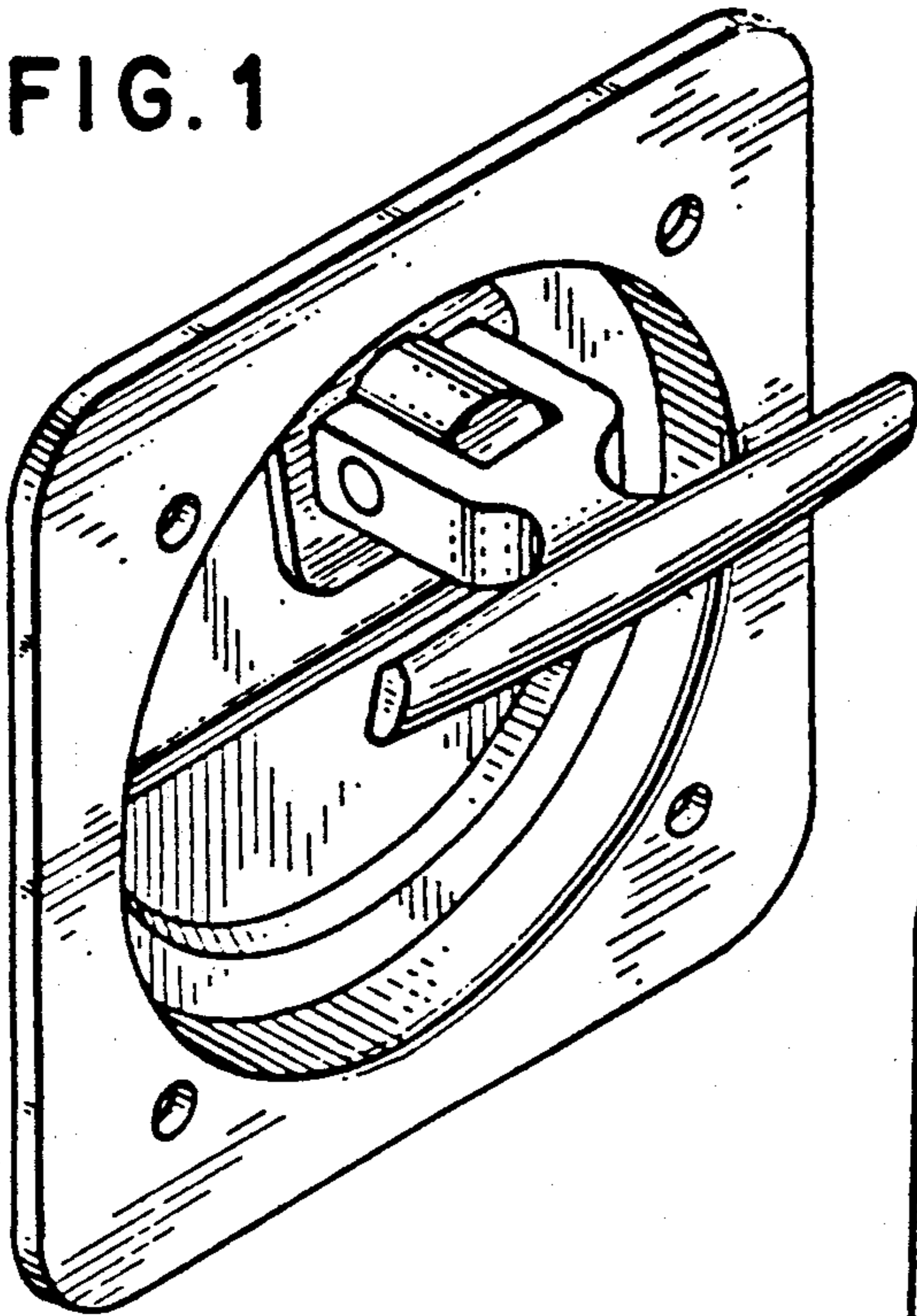


FIG. 2

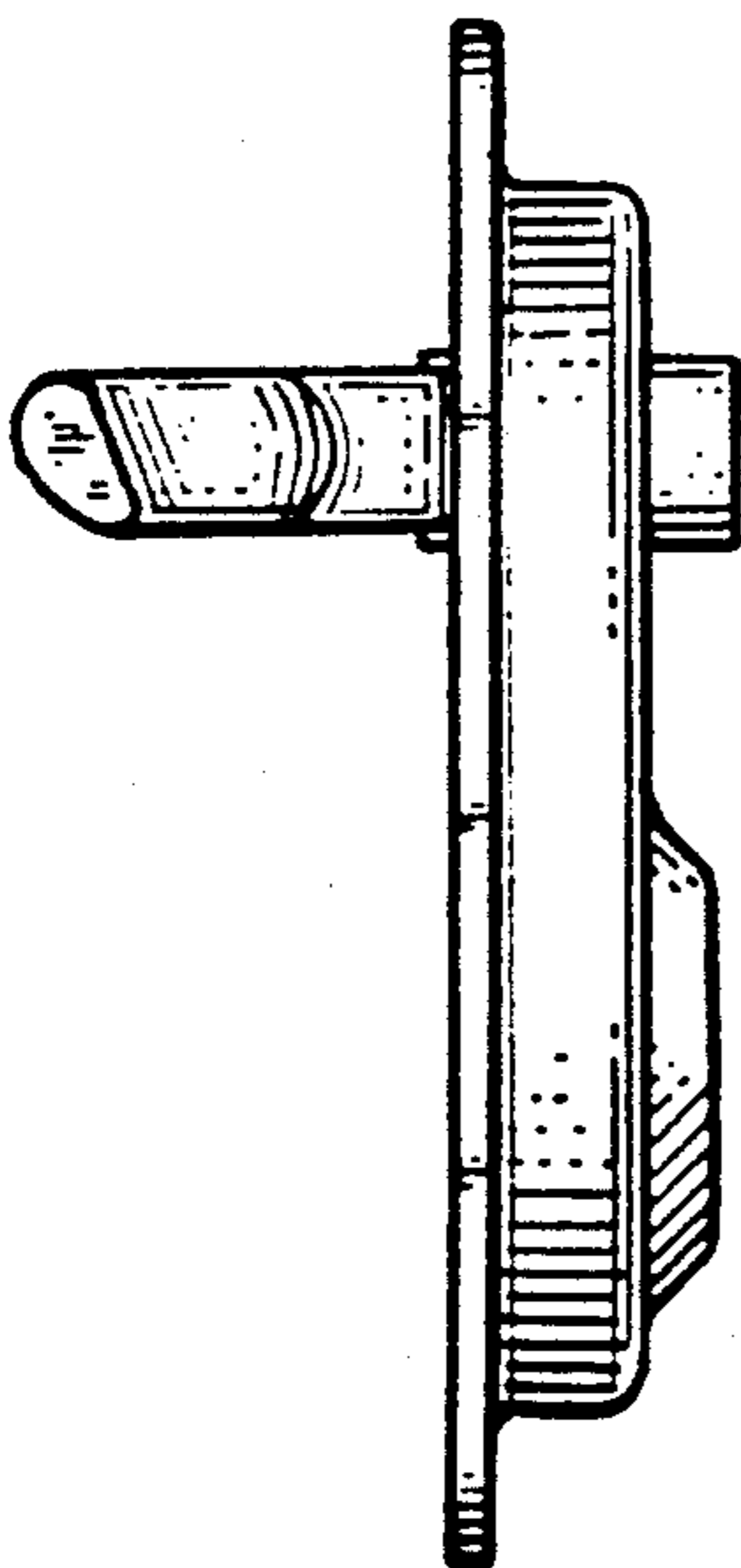
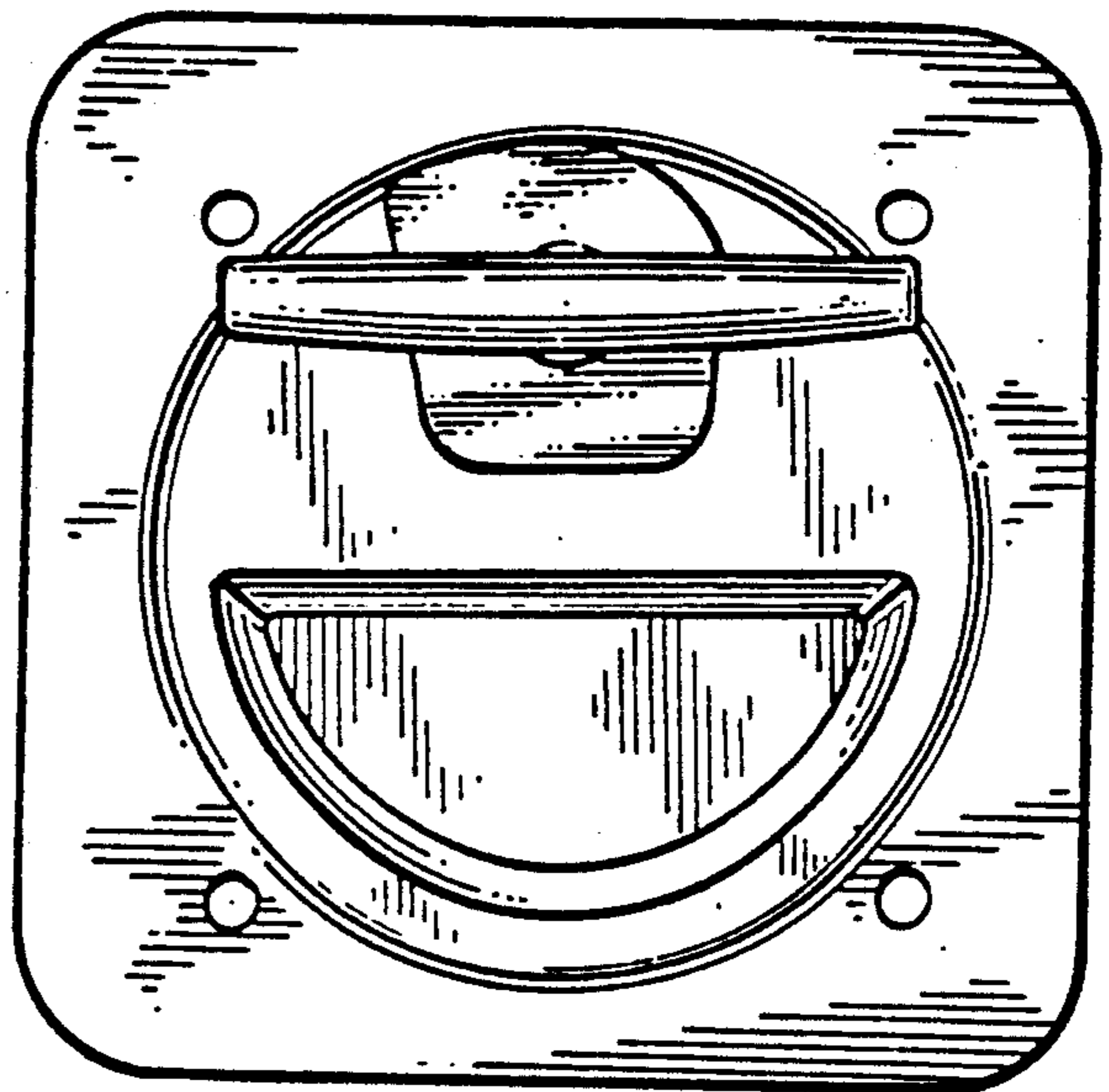


FIG. 3

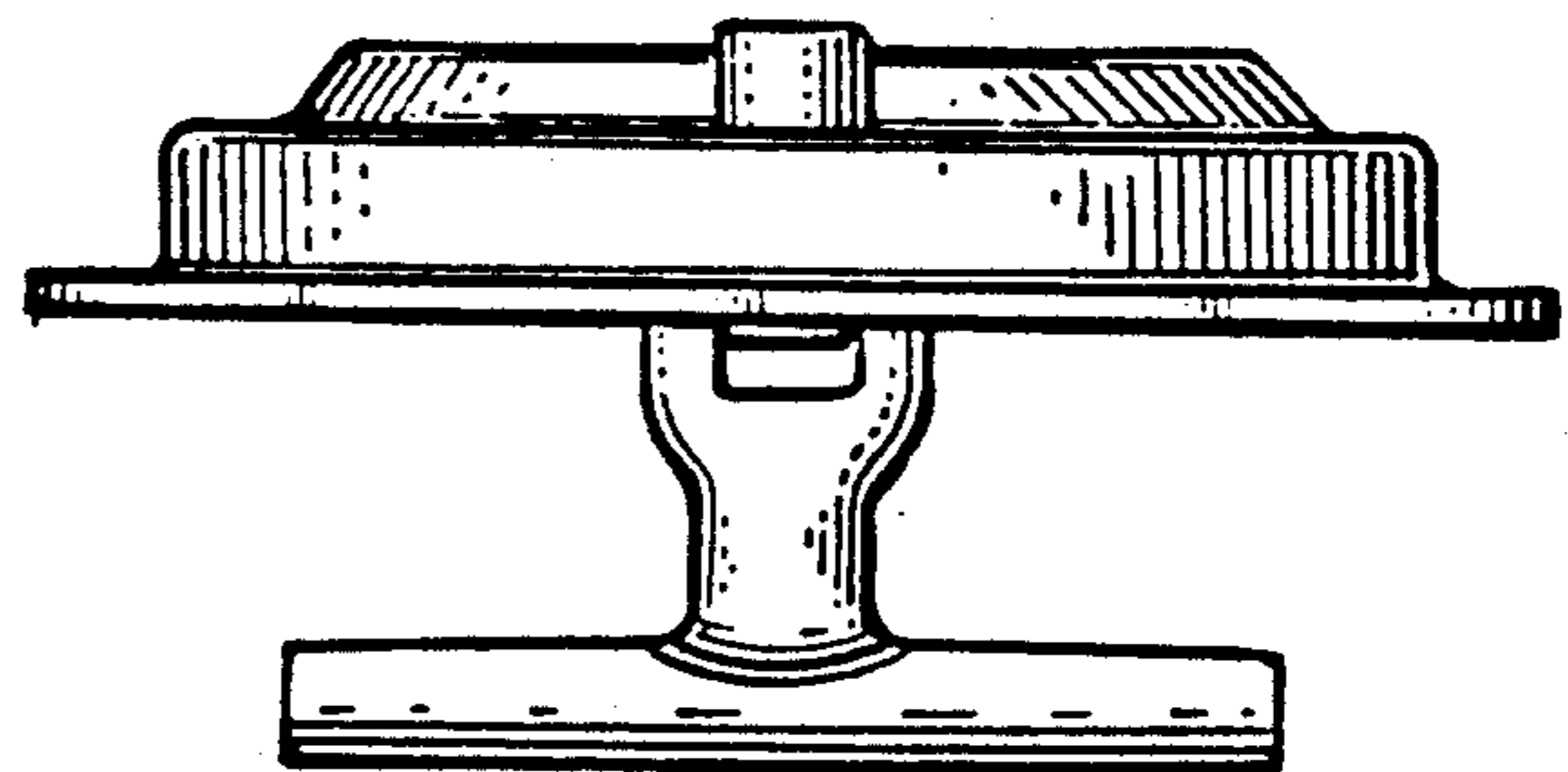


FIG. 4



FIG. 5

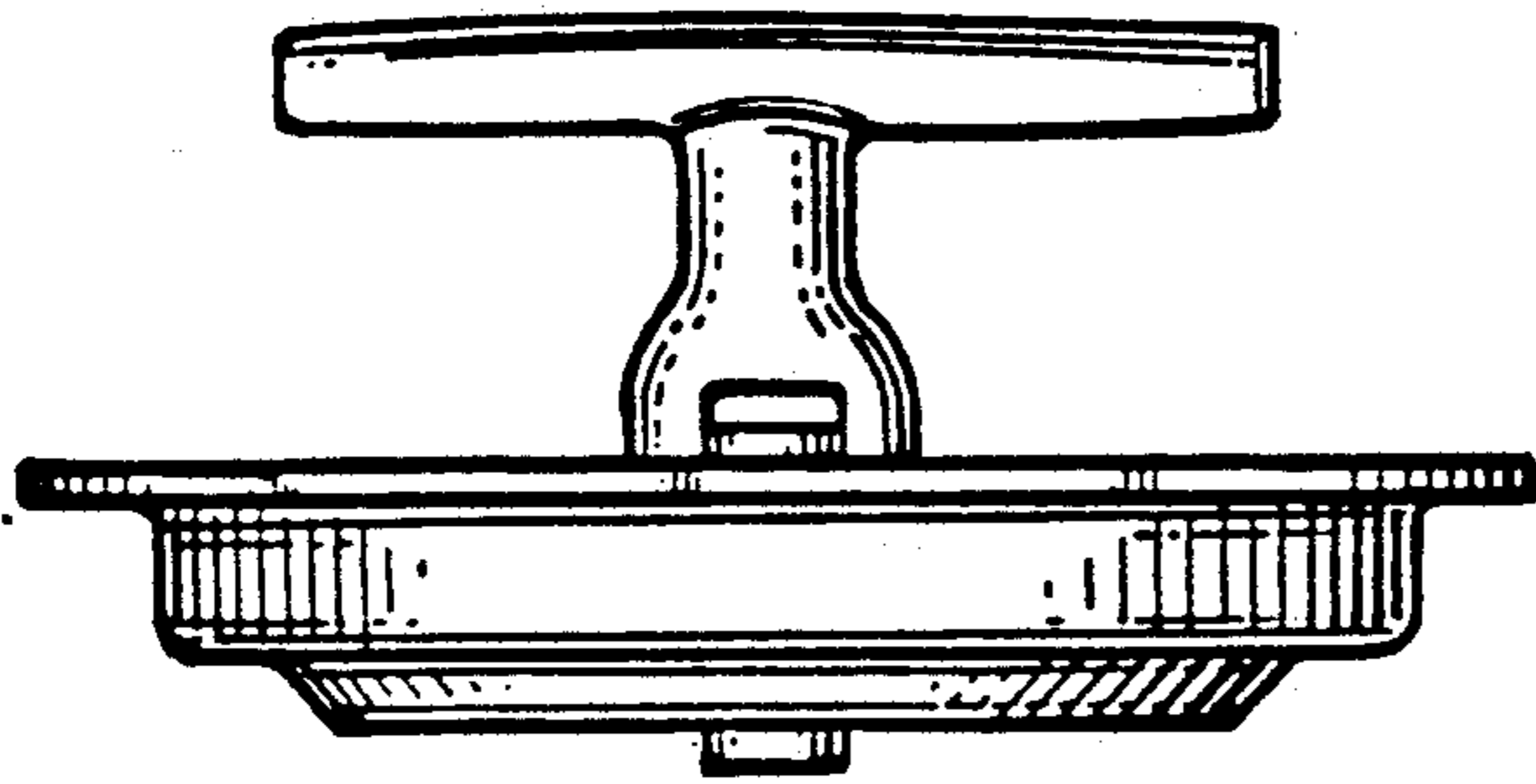


FIG. 6

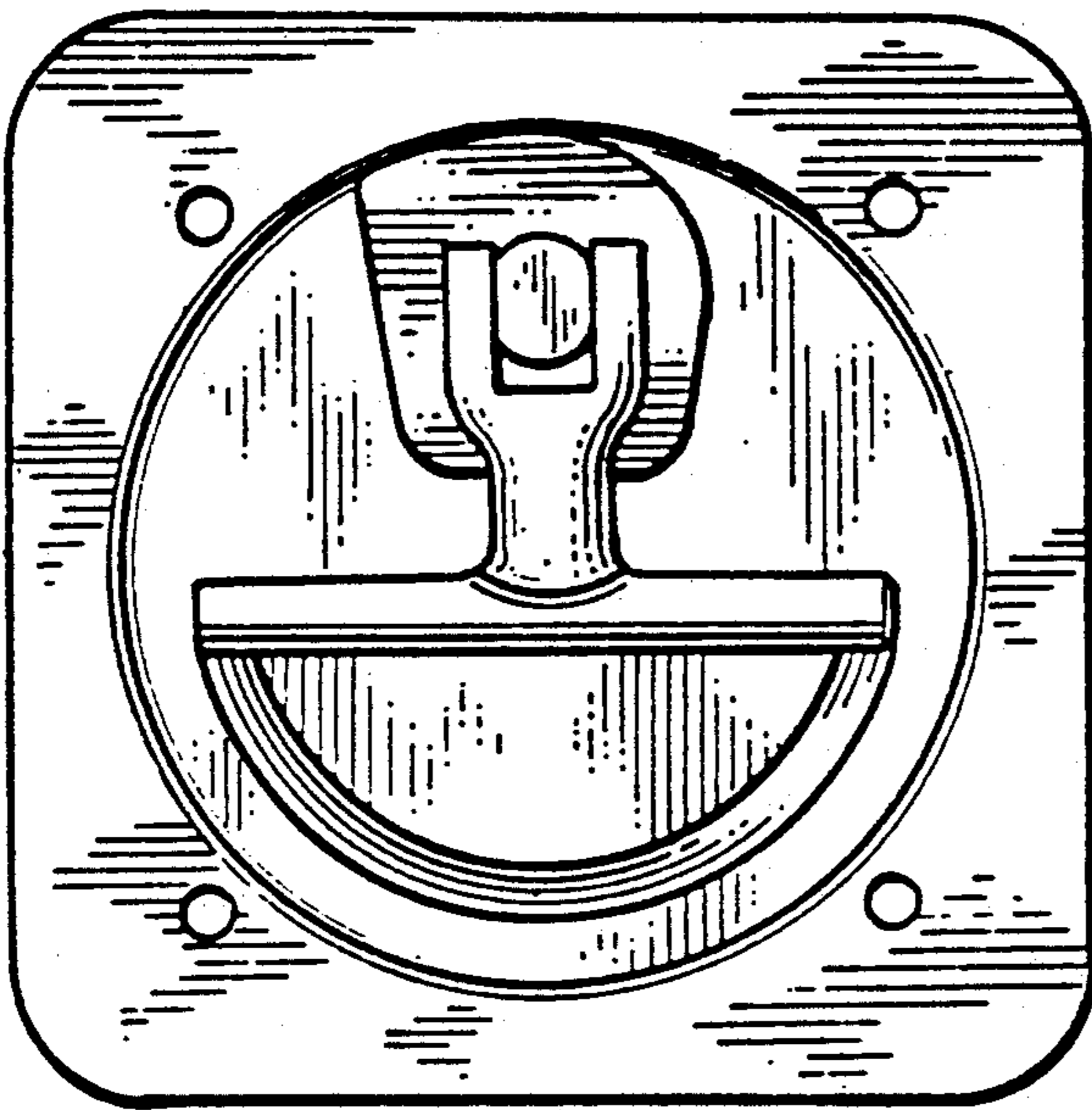


FIG. 7

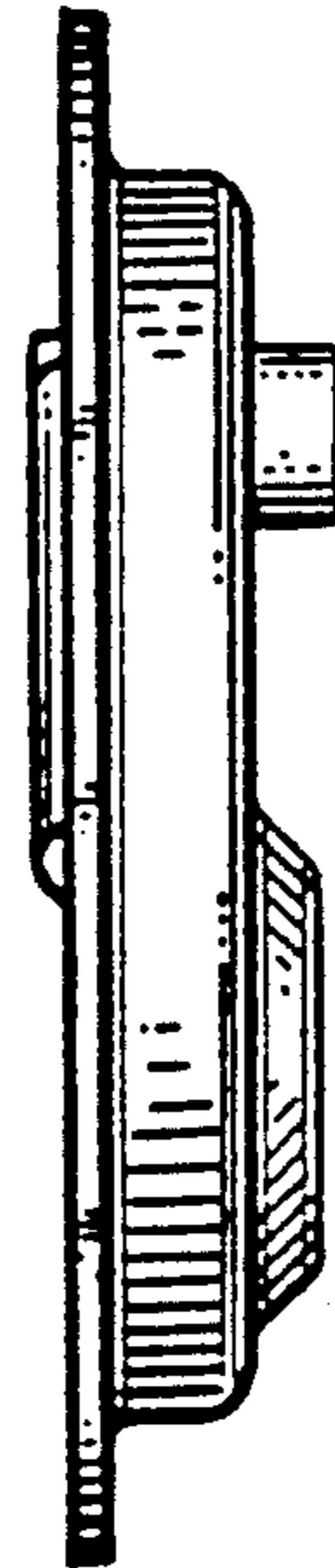


FIG. 8

