



US00D323771S

# United States Patent [19]

[11] Patent Number: **Des. 323,771**

Alsup et al.

[45] Date of Patent: **\*\* Feb. 11, 1992**

[54] **COMBINED ENGINE HOUSING AND HANDLE GRIP FOR A HEDGE TRIMMER**

[75] Inventors: **J. Douglas Alsup; James B. Watson,**  
both of Conyers, Ga.

[73] Assignee: **Ryobi Motor Products Corp.,**  
Pickens, S.C.

[\*\*] Term: **14 Years**

[21] Appl. No.: **440,736**

[22] Filed: **Nov. 24, 1989**

[52] U.S. Cl. .... **D8/8**

[58] Field of Search ..... **D8/8; 56/233-237;**  
**30/208-210, 228, 232, 241, 243, 272 R, 272 A**

[56] **References Cited**

**U.S. PATENT DOCUMENTS**

3,309,769 3/1967 Maxson ..... **D8/8 X**

**OTHER PUBLICATIONS**

Hardware Age, Jul. 1988, p. 54, Chain Saw, circled item  
at bottom right hand side of page.

Hardware Age, Jul. 1987, p. 96, Hedge Trimmer, circled item at bottom right-hand side of p.  
Smith & Hawken, Summer 1988, p. 1933, Garden Trimmers, bottom of page.

*Primary Examiner*—Wallace R. Burke  
*Assistant Examiner*—H. Baynham  
*Attorney, Agent, or Firm*—David L. Davis

[57] **CLAIM**

The ornamental design for a combined engine housing and handle grip for a hedge trimmer, as shown.

**DESCRIPTION**

FIG. 1 is a front perspective view of a combined engine housing and handle grip for a hedge trimmer showing our new design;

FIG. 2 is a front elevational view thereof;

FIG. 3 is a rear elevational view thereof;

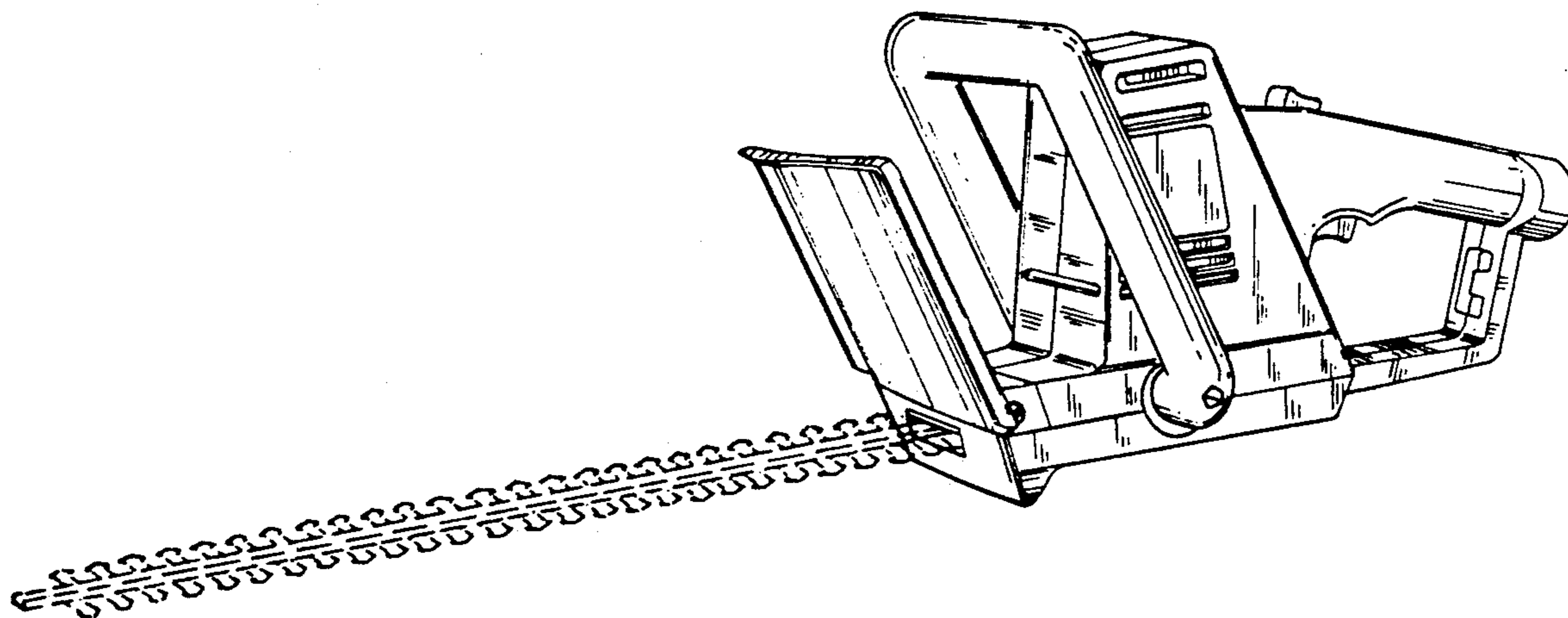
FIG. 4 is a right side elevational view thereof;

FIG. 5 is a left side elevational view thereof;

FIG. 6 is a top plan view thereof; and

FIG. 7 is a bottom plan view thereof.

The broken lines showing a blade are for illustrative purposes only and form no part of the claimed design.



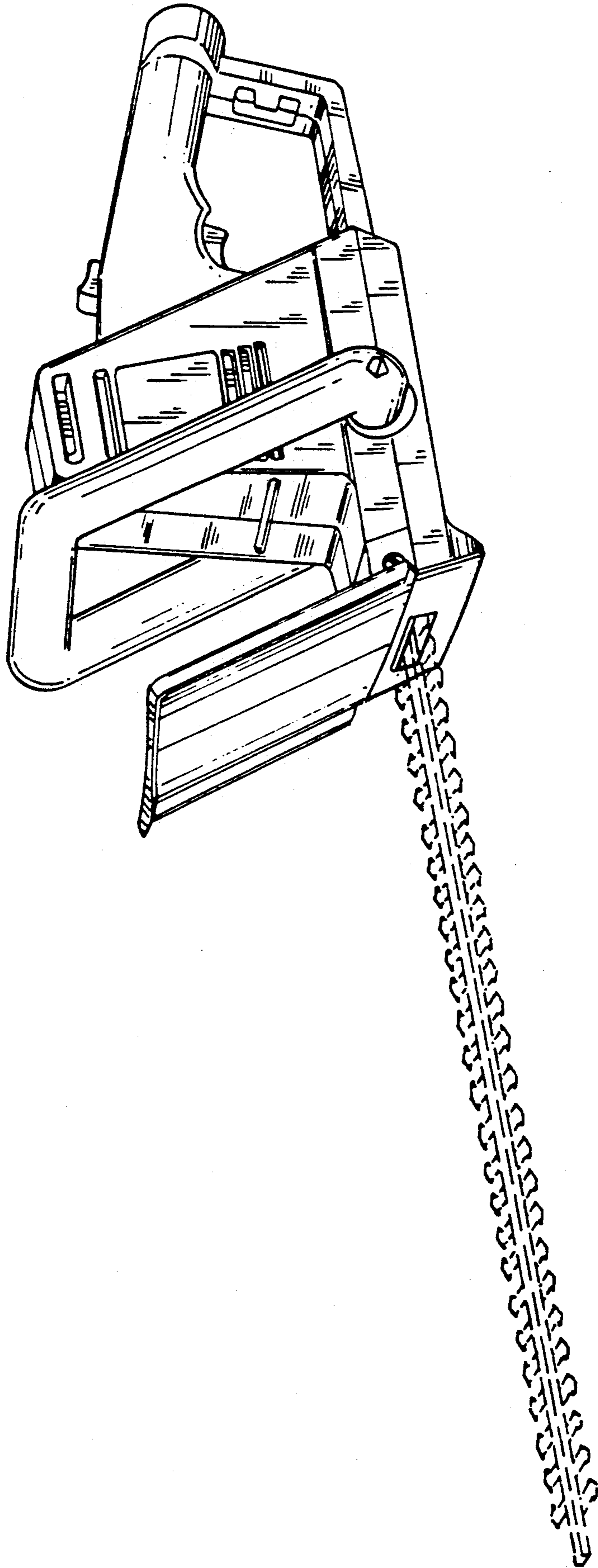


FIG. 1

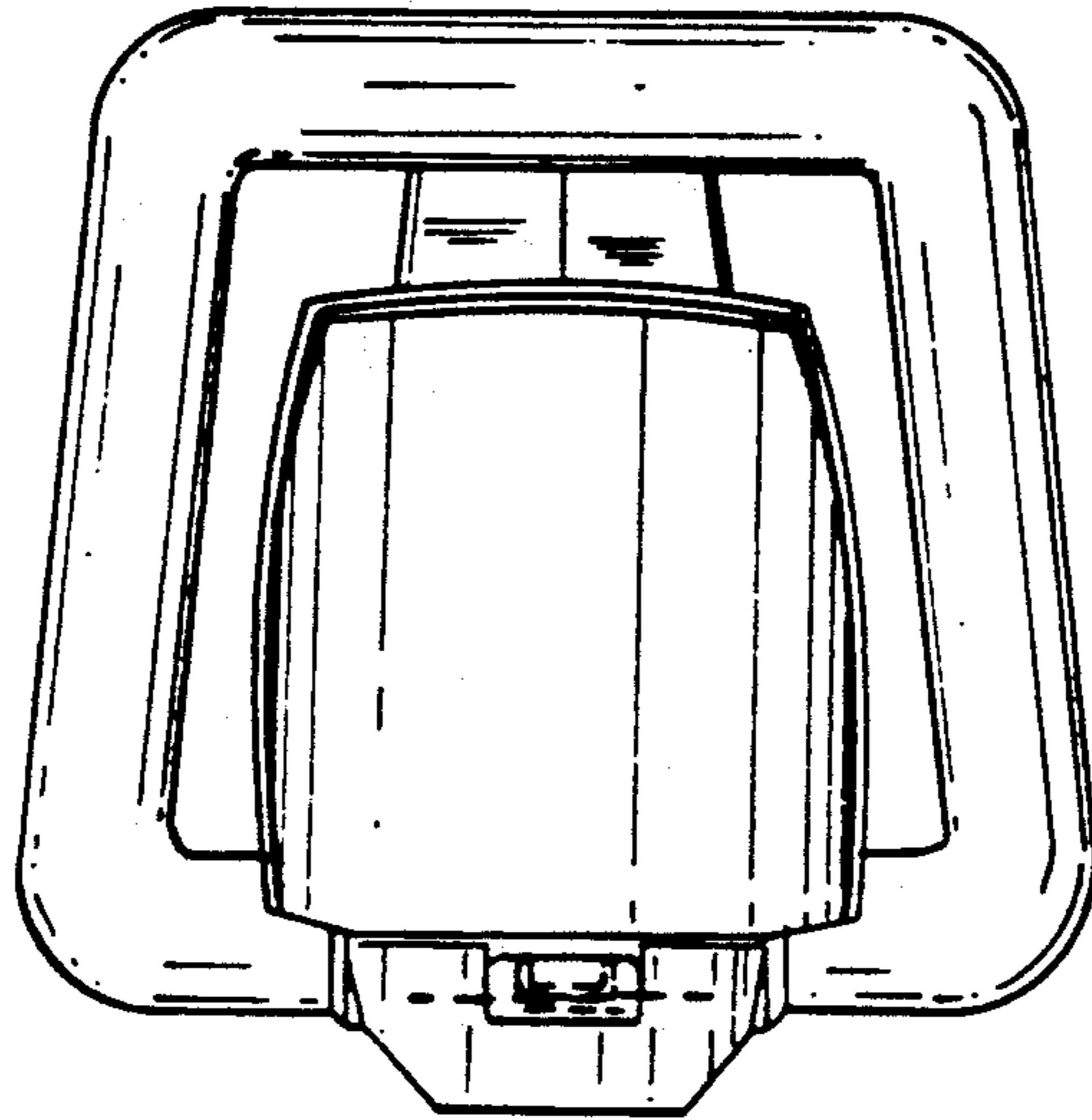


FIG. 2

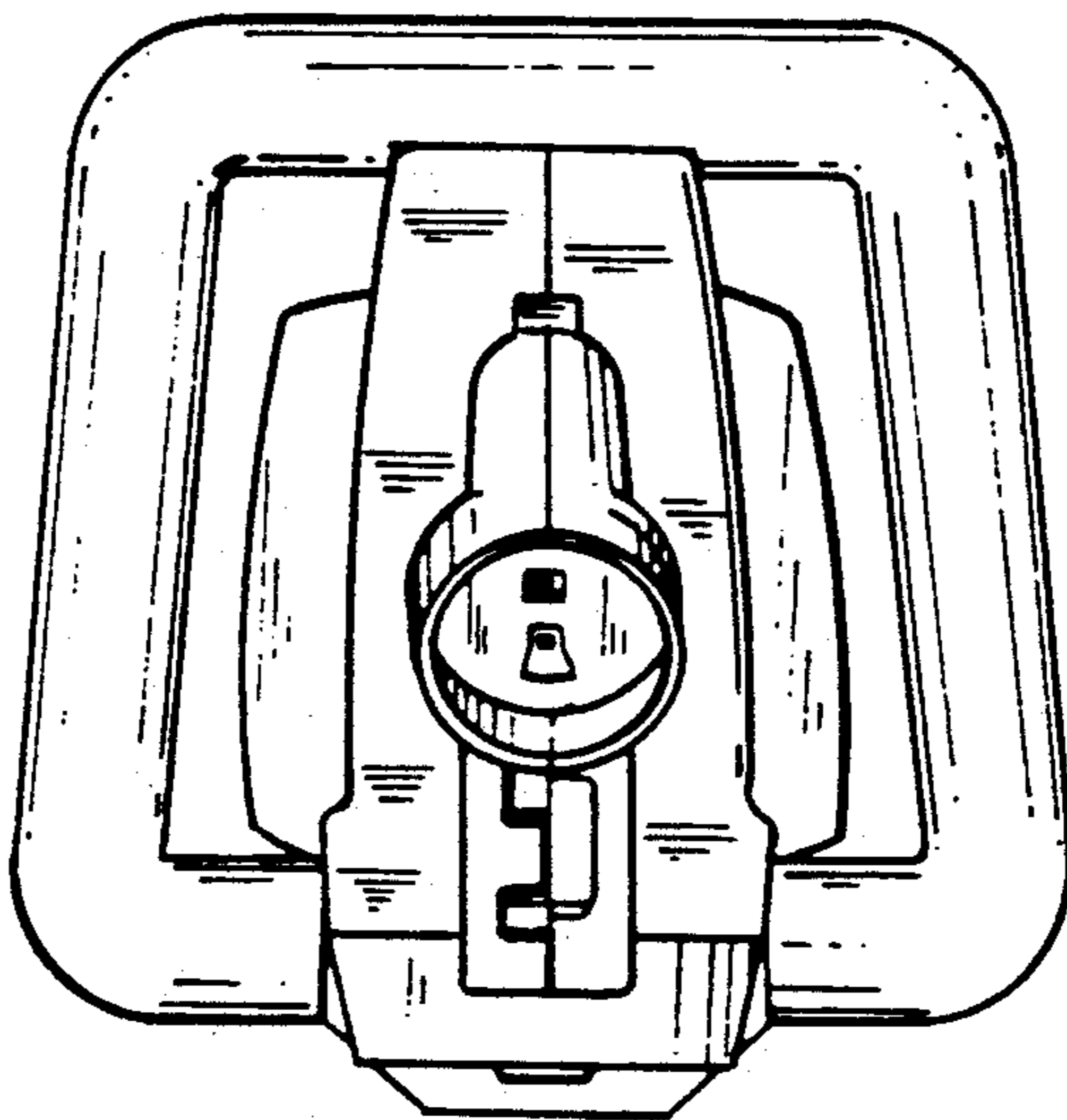


FIG. 3

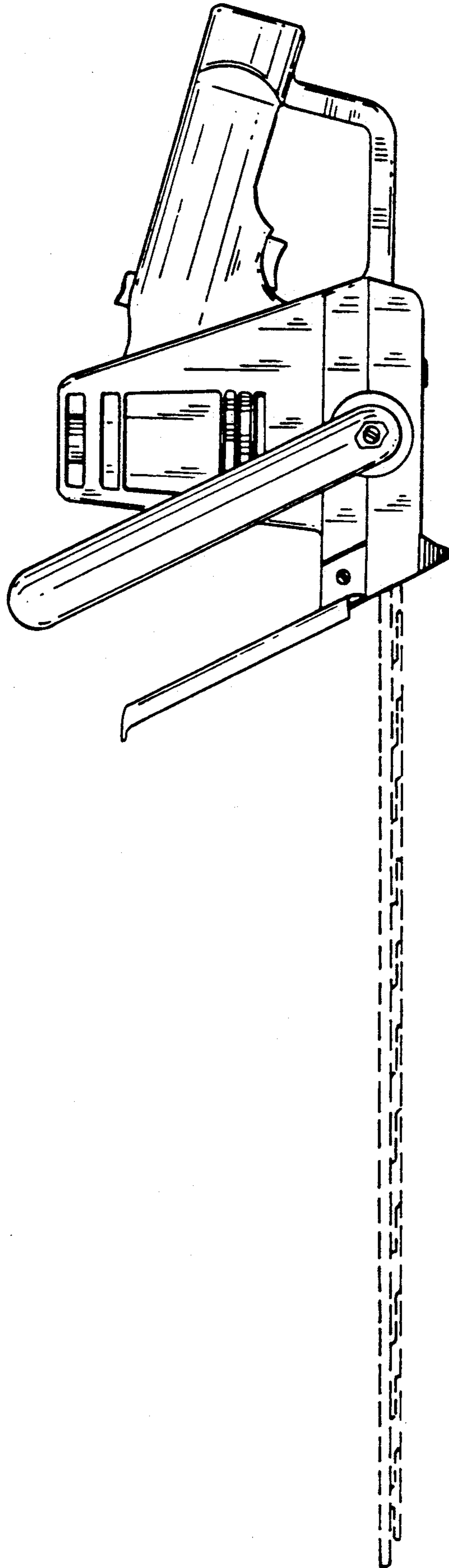


FIG. 4

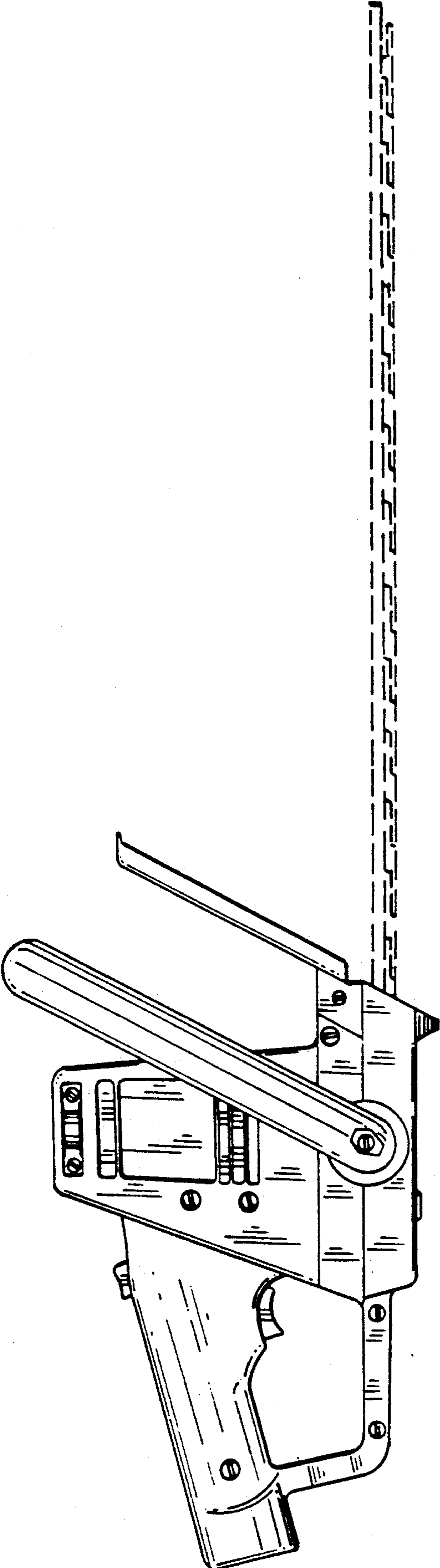


FIG. 5



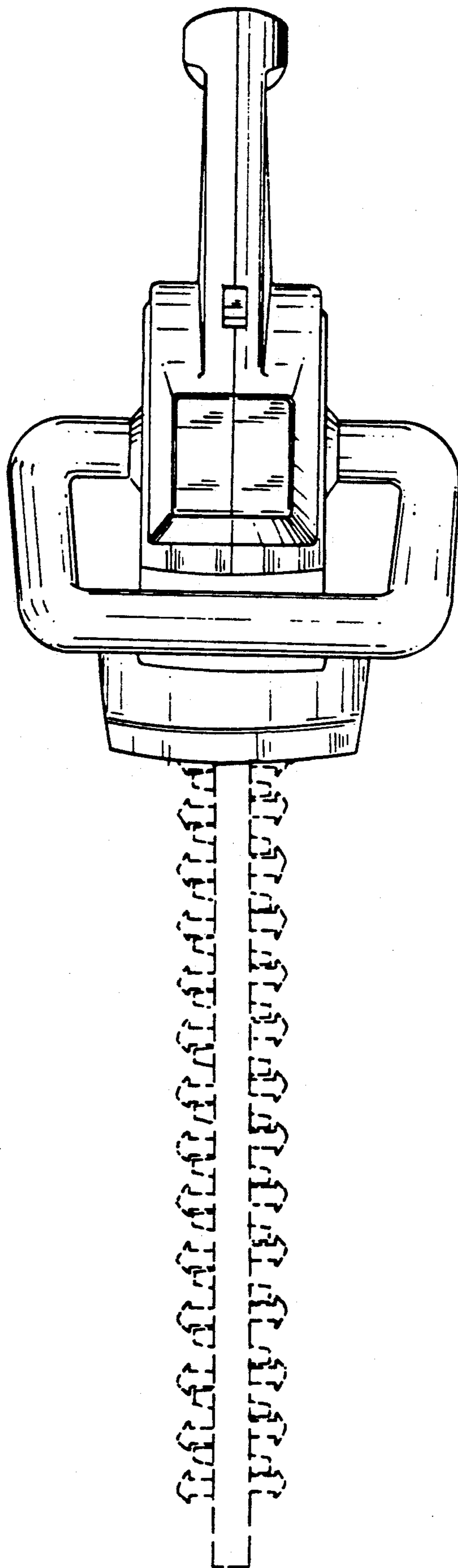


FIG. 6

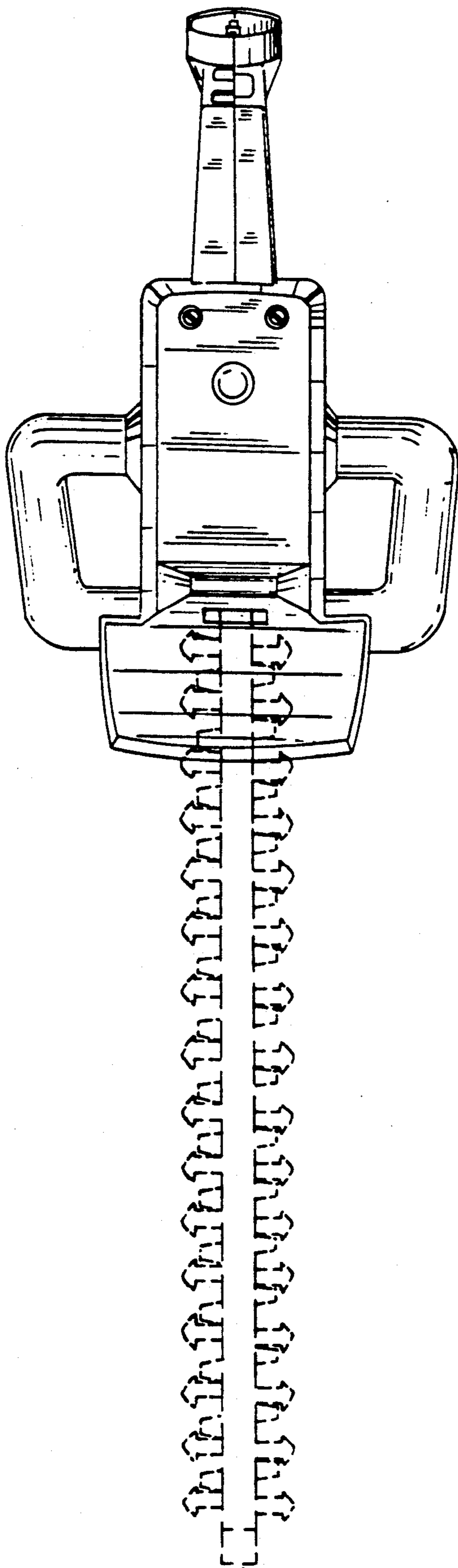


FIG. 7