



US00D323770S

United States Patent [19]

[11] Patent Number: Des. 323,770

Alsup et al.

[45] Date of Patent: ** Feb. 11, 1992

[54] COMBINED ENGINE HOUSING AND HANDLE GRIP FOR A HEDGE TRIMMER

[75] Inventors: J. Douglas Alsup; James B. Watson, both of Conyers, Ga.

[73] Assignee: Ryobi Motor Products Corp., Pickens, S.C.

[**] Term: 14 Years

[21] Appl. No.: 422,440

[22] Filed: Oct. 17, 1989

[52] U.S. Cl. D8/8

[58] Field of Search D8/8; 56/233-237

[56] **References Cited**

U.S. PATENT DOCUMENTS

D. 204,943	5/1966	Hart	D8/8
D. 226,420	3/1973	Bartasevich, Jr.	D8/8
D. 285,894	9/1986	Kawakami et al.	D8/8
D. 301,961	7/1989	Narisue et al.	D8/8
D. 307,098	4/1990	Clivio	D8/8

OTHER PUBLICATIONS

The Green Machine Brochure, Aug. 10, 1987, cover page, hedge trimmer, picture at top of page.

Smith and Hawkin, Summer 1988, p. 33, garden trimmer, picture at bottom right hand corner.

A. M. Leonard Catalogue, Spring 1987, p. 37, hedge trimmer, circled item at top of page.

Clapper's Summer Catalog, Jun. 2, 1987, p. 17, hedge trimmers, item J.

Primary Examiner—Wallace R. Burke

Assistant Examiner—H. Baynham

Attorney, Agent, or Firm—David L. Davis

[57] **CLAIM**

The ornamental design of a combined engine housing and handle grip for a hedge trimmer, as shown.

DESCRIPTION

FIG. 1 is a front perspective view of a combined engine housing and handle grip for a hedge trimmer showing our new design;

FIG. 2 is a front elevational view thereof;

FIG. 3 is a rear elevational view thereof;

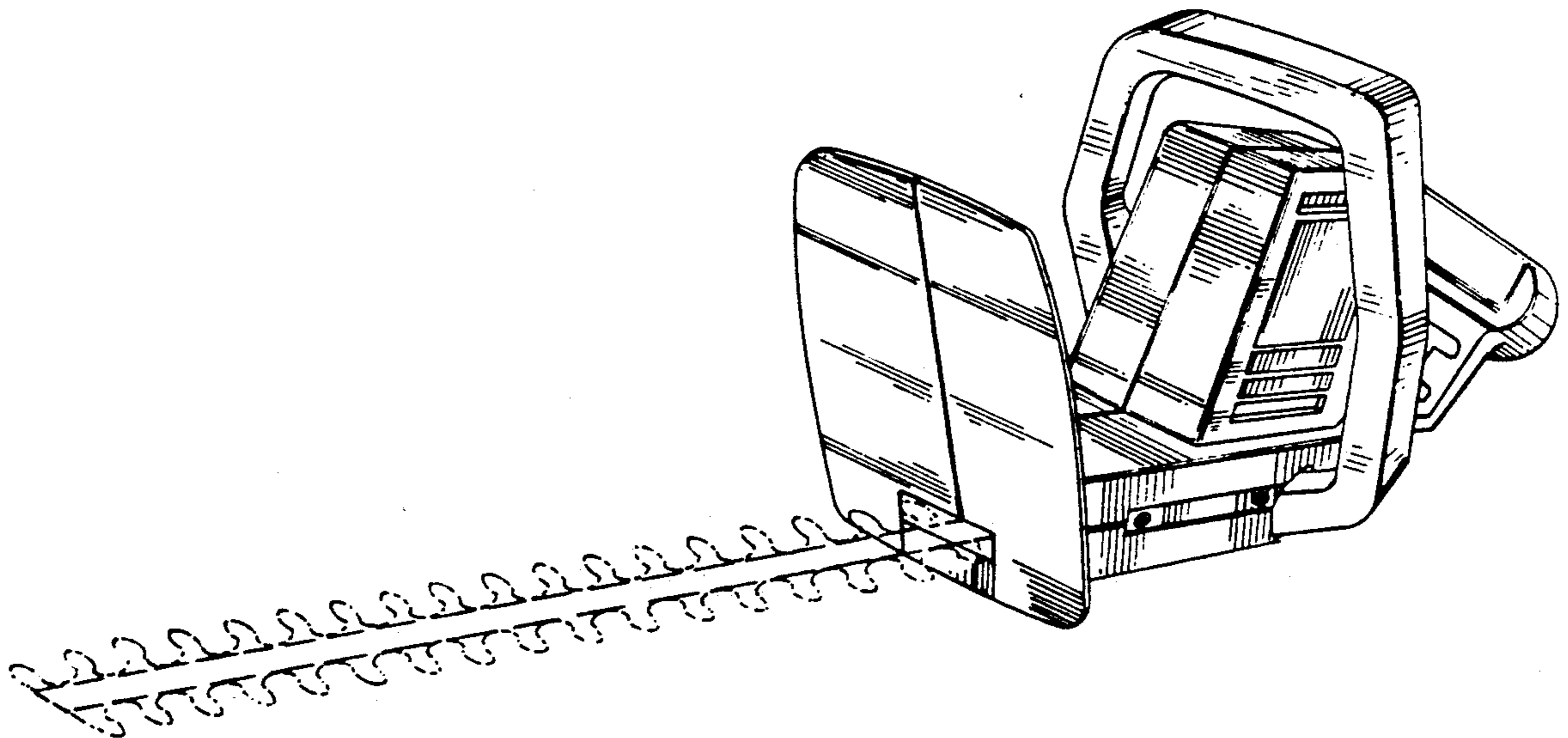
FIG. 4 is a right side elevational view thereof;

FIG. 5 is a left side elevational view thereof;

FIG. 6 is a top plan view thereof; and

FIG. 7 is a bottom plan view thereof.

The broken lines showing a blade are for illustrative purposes only and form no part of the claimed design.



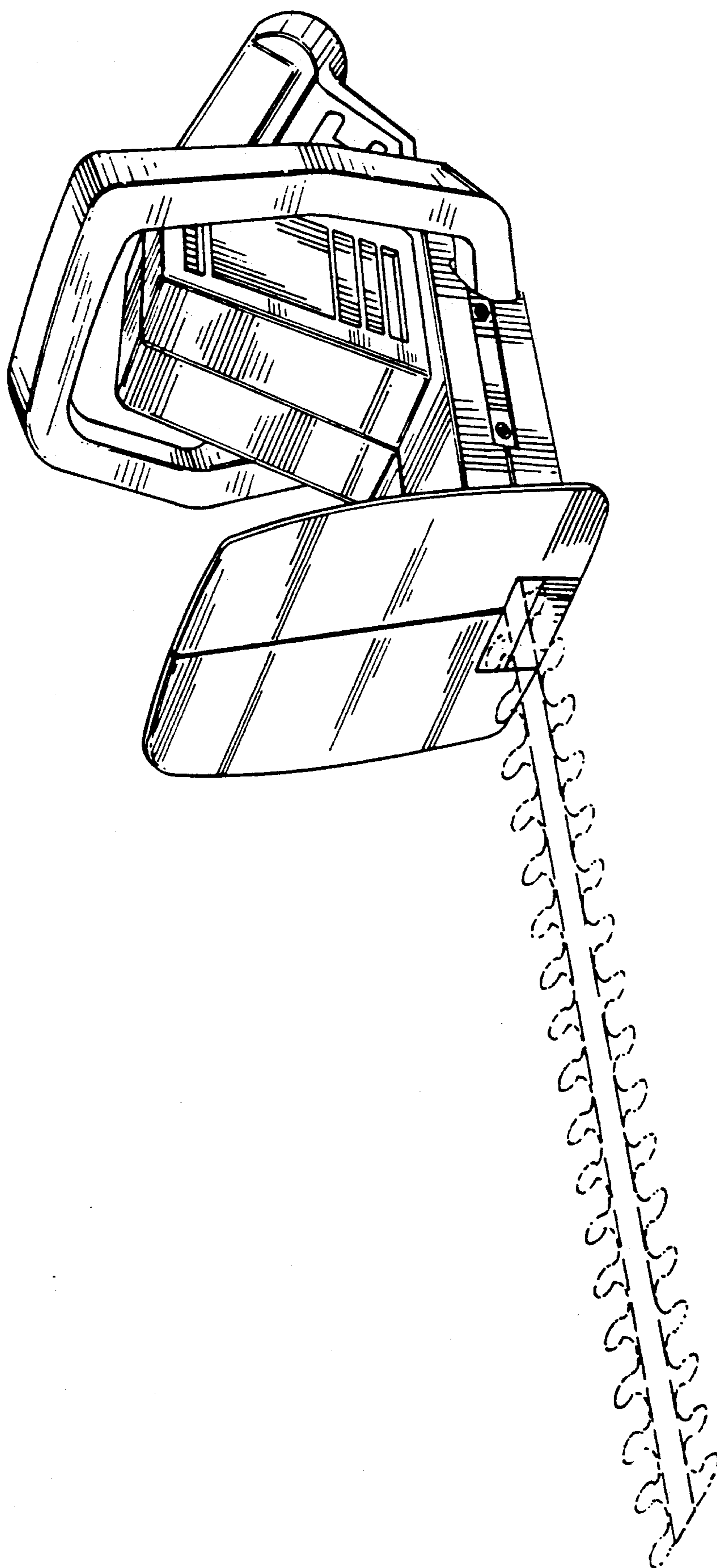


FIG. 1

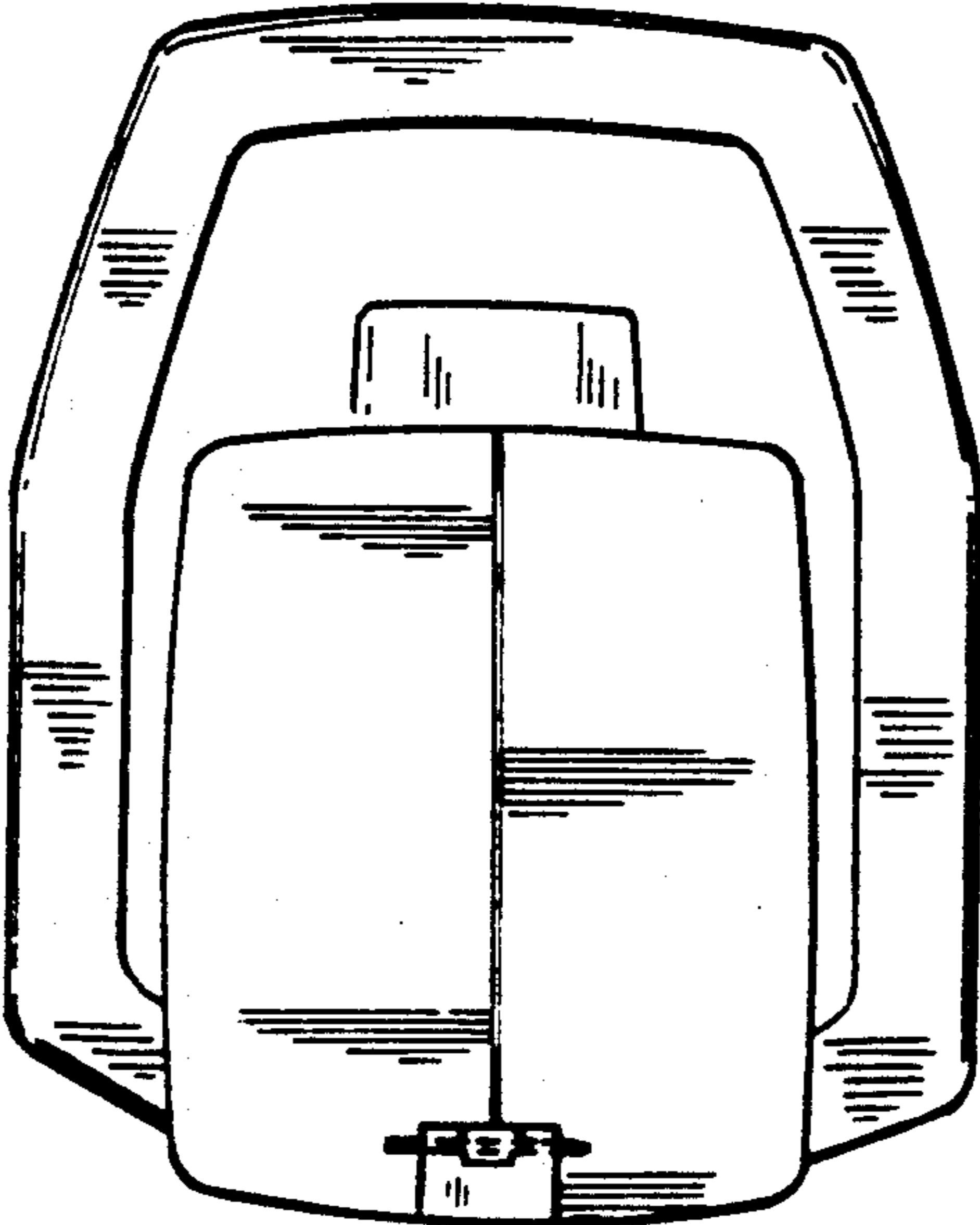


FIG. 2

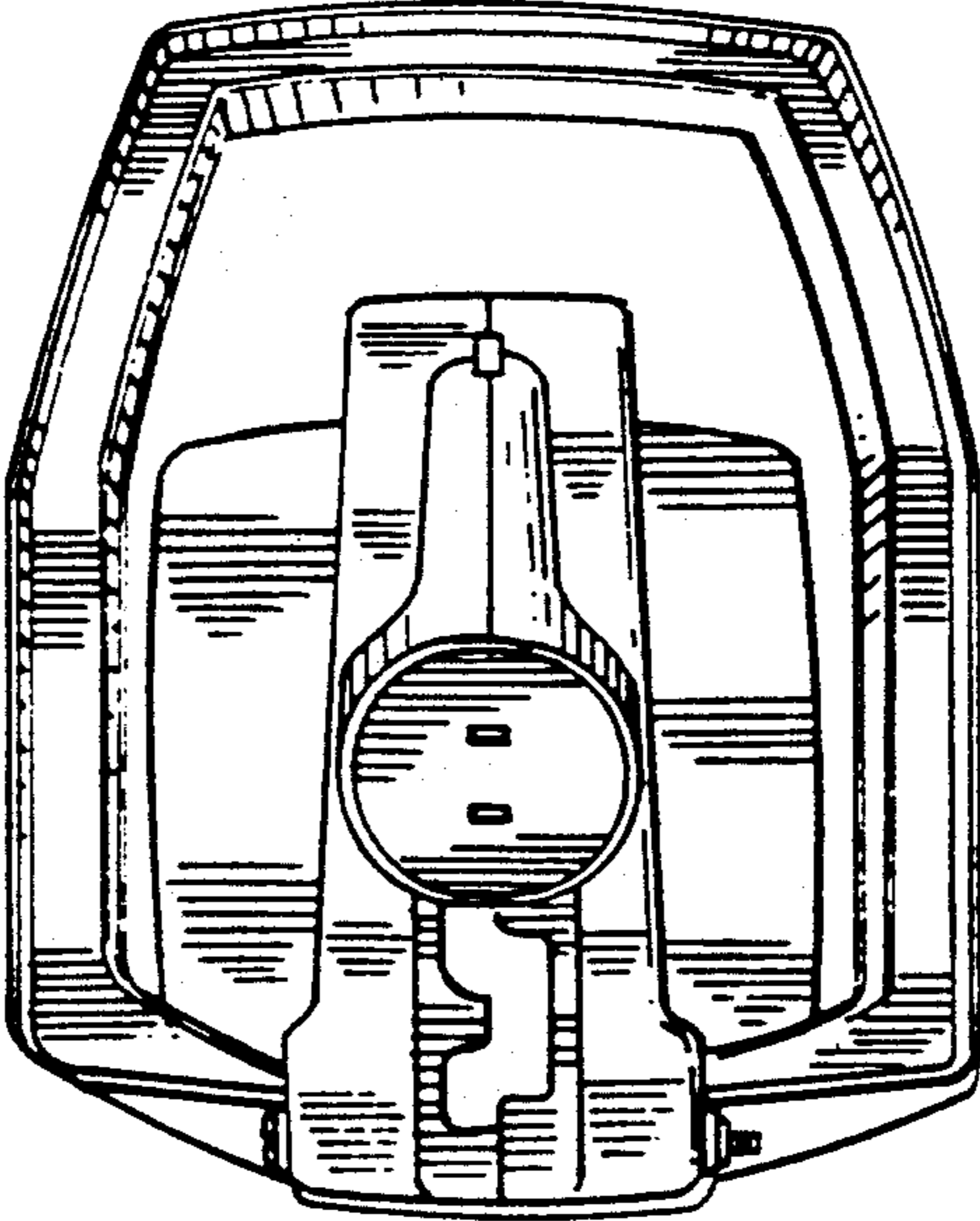


FIG. 3

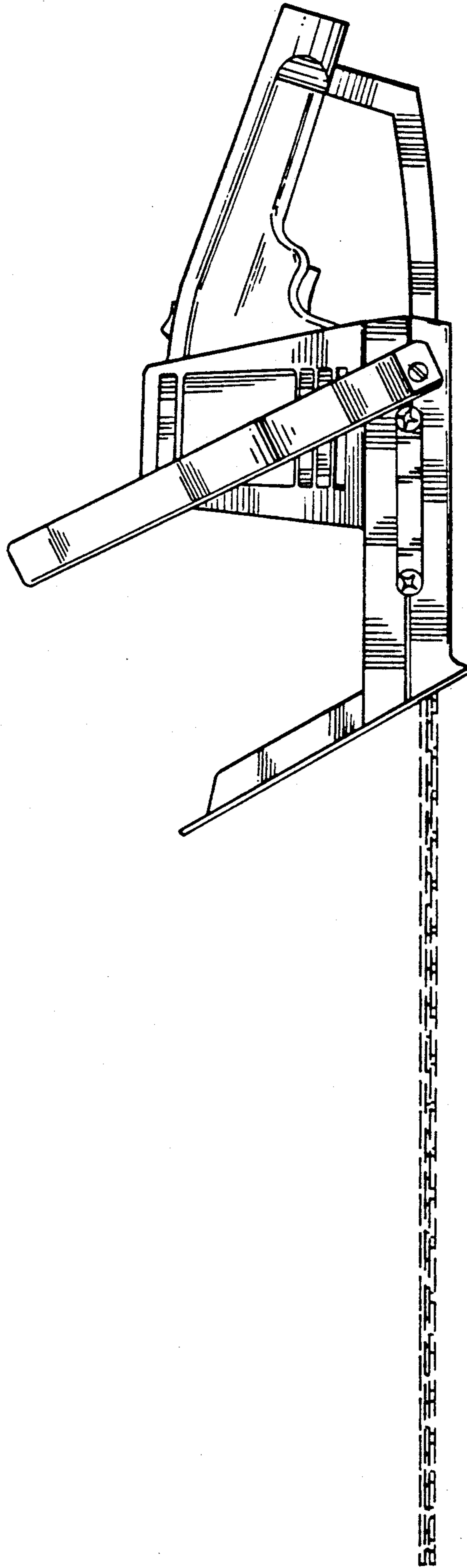


FIG. 4

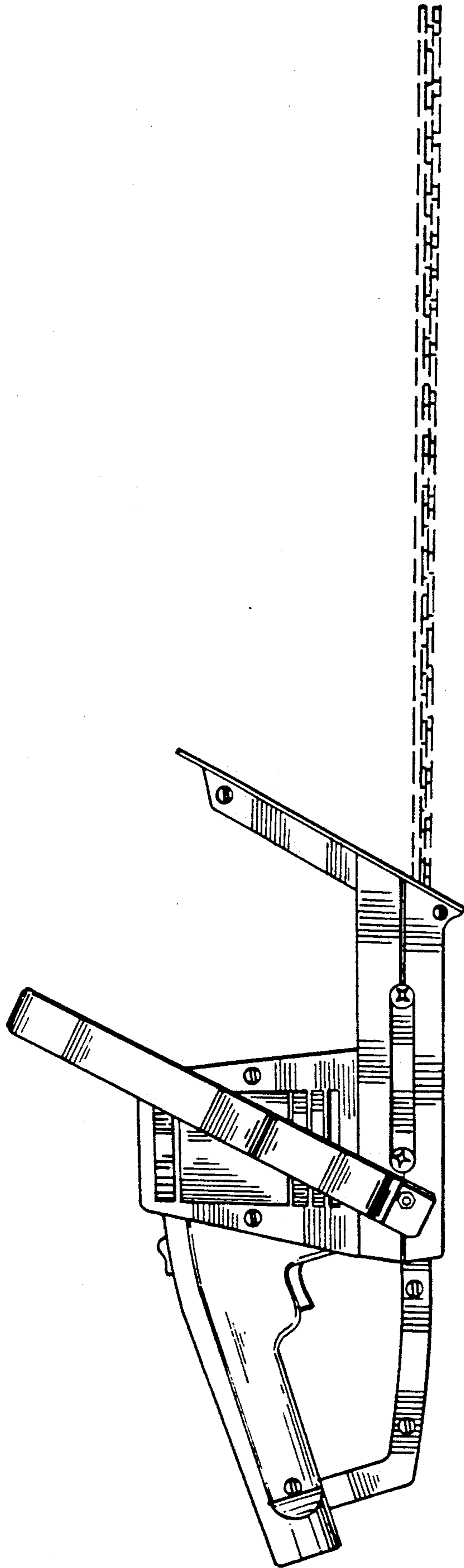


FIG. 5

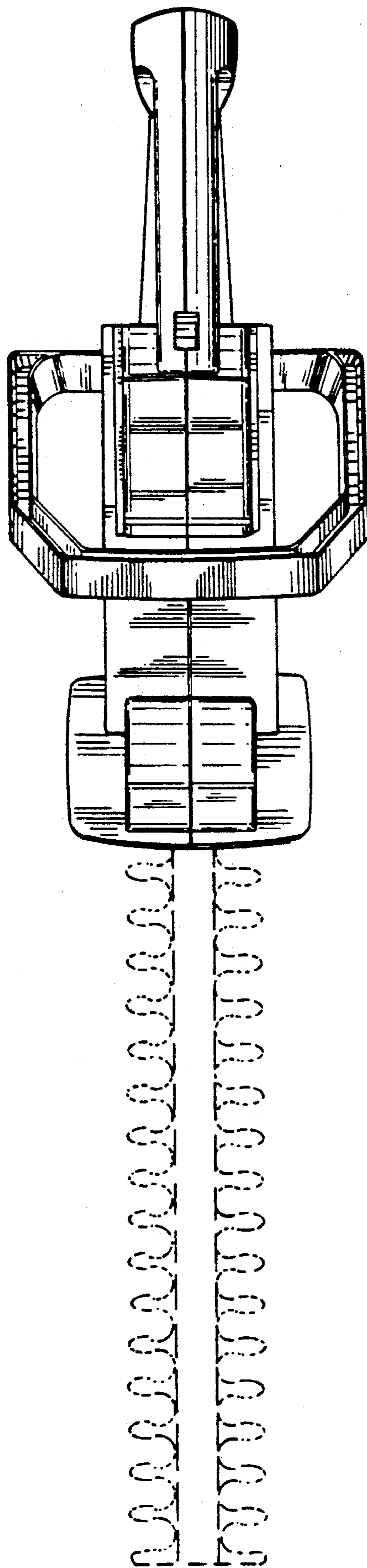


FIG. 6

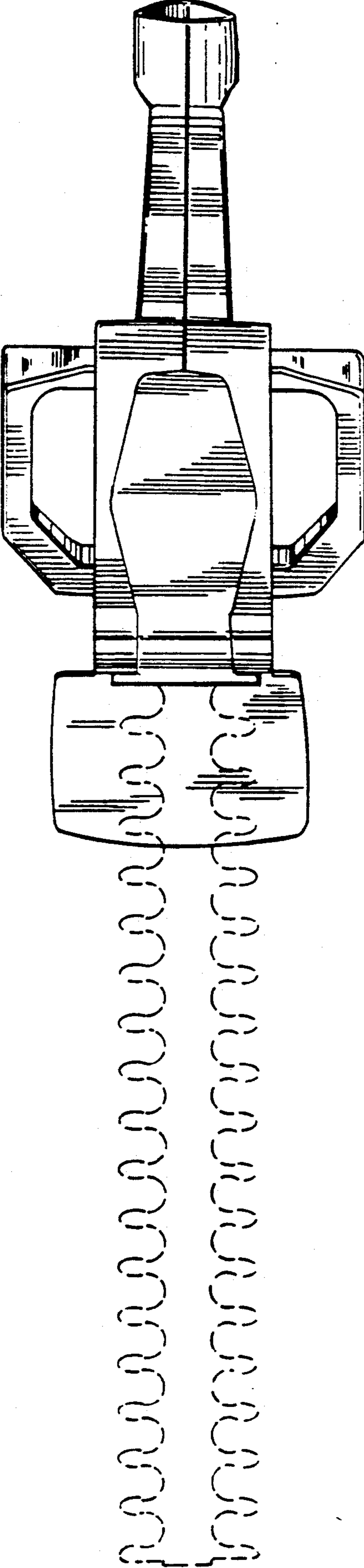


FIG. 7