



US00D323767S

United States Patent [19]

[11] Patent Number: **Des. 323,767**

Polski

[45] Date of Patent: **** Feb. 11, 1992**

[54] **BEVERAGE HOLDER OR THE LIKE**

[76] Inventor: **Thomas J. Polski**, 12526 Bronco Dr., Tampa, Fla. 33625

[**] Term: **14 Years**

[21] Appl. No.: **477,657**

[22] Filed: **Feb. 9, 1990**

[52] U.S. Cl. **D7/620**

[58] Field of Search **D7/616-625;**
206/139; 211/71, 74, 75, 88, 89; 220/85 H;
224/42.45 R, 273; 248/311.2, 154, 310, 313

[56] **References Cited**

U.S. PATENT DOCUMENTS

4,011,951 3/1977 Boyer 211/88 X
4,773,348 9/1988 Rowley 248/311.2 X

Primary Examiner—Terry A. Pfeffer
Attorney, Agent, or Firm—Herbert W. Larson

[57] **CLAIM**

The ornamental design for a beverage holder or the like, as shown and described.

DESCRIPTION

FIG. 1 is a perspective view of the beverage holder or the like showing my new design;

FIG. 2 is a right side elevational view thereof;

FIG. 3 is a front elevational view thereof;

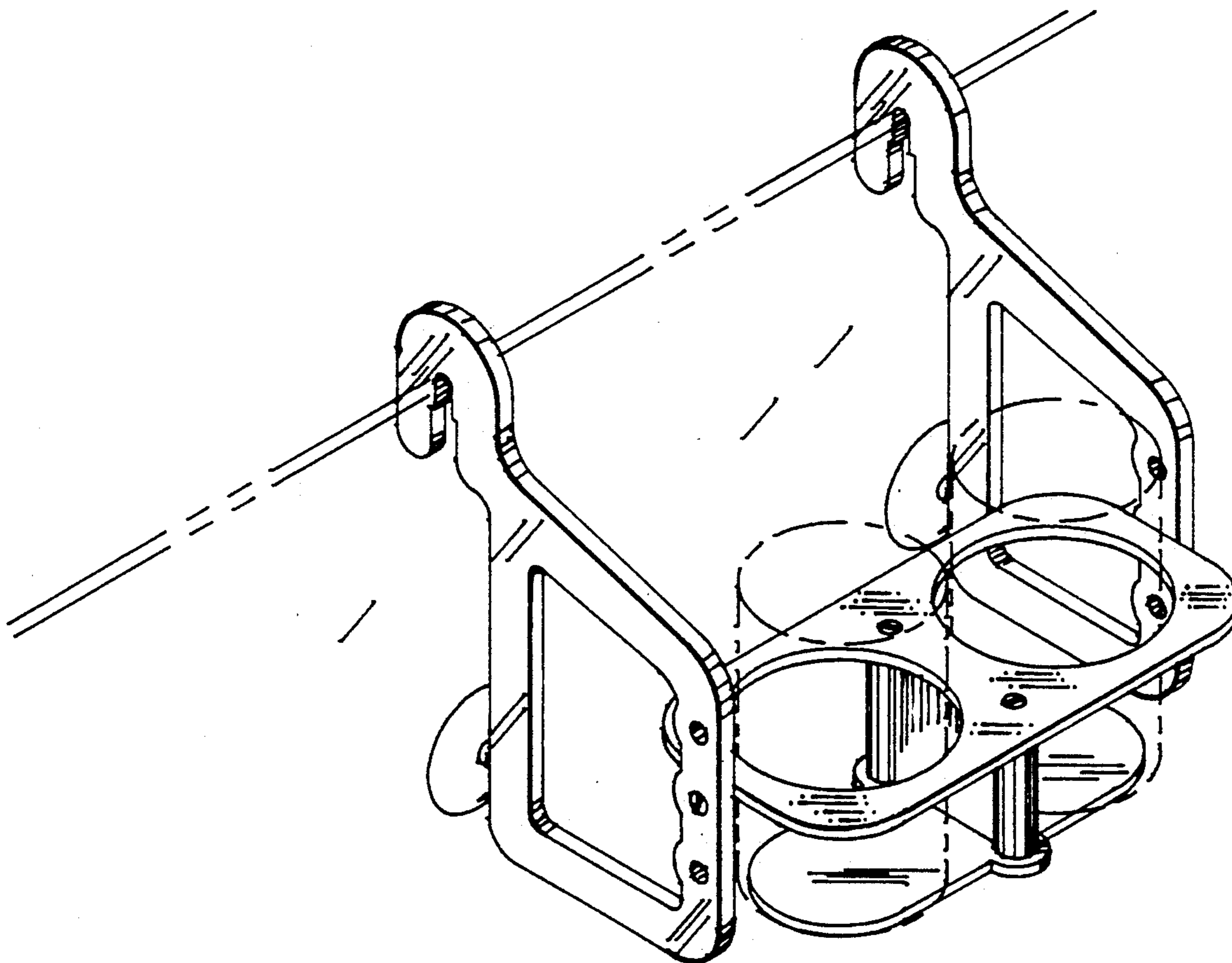
FIG. 4 is a left side elevational view thereof;

FIG. 5 is a rear elevational view thereof;

FIG. 6 is a top plan view thereof; and

FIG. 7 is a bottom plan view thereof.

The phantom lines showing a windshield and beverage container in FIG. 1 and beverage containers in FIGS. 2-5 form no part of the claimed new ornamental design.



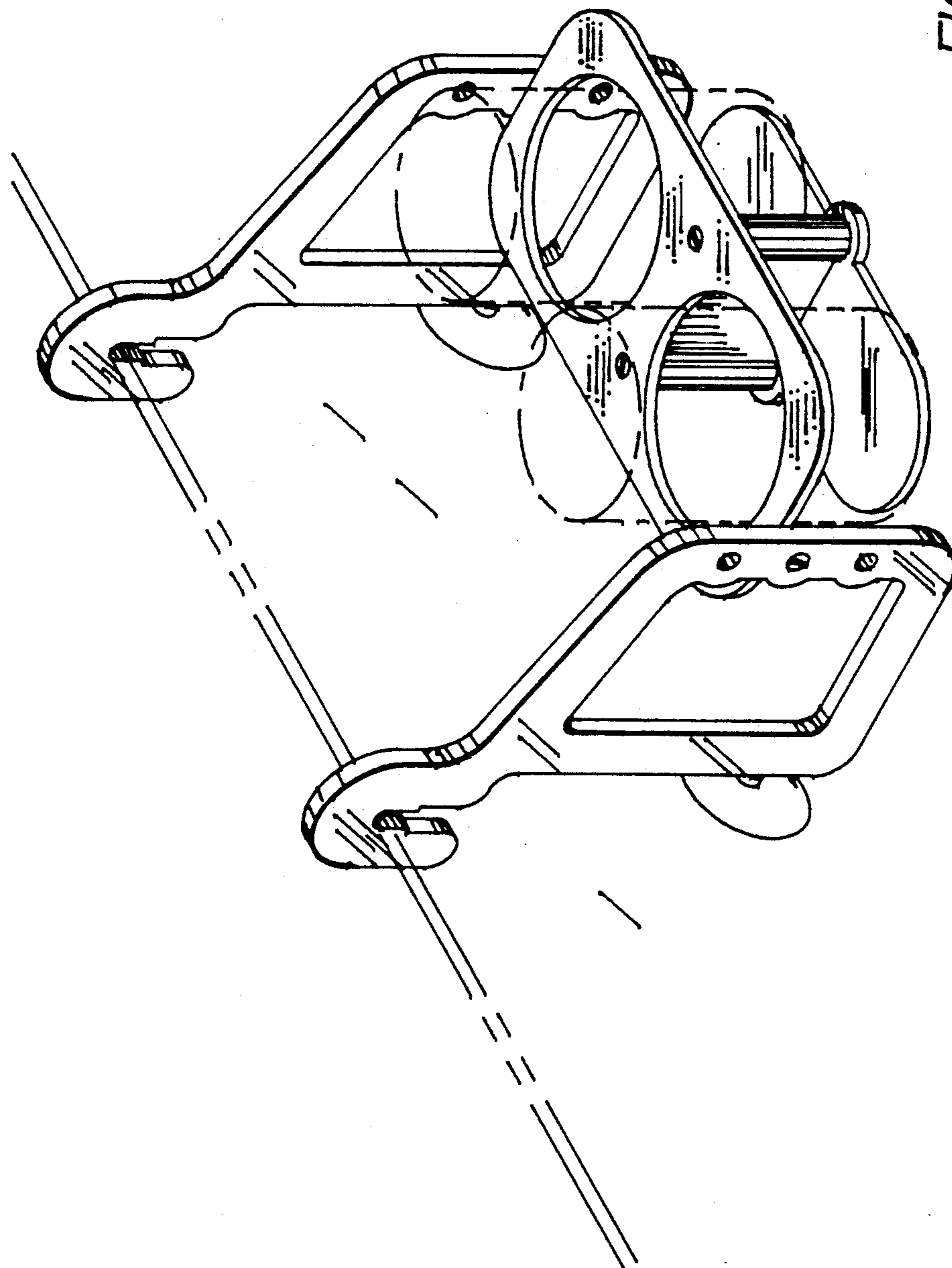


FIG. 1

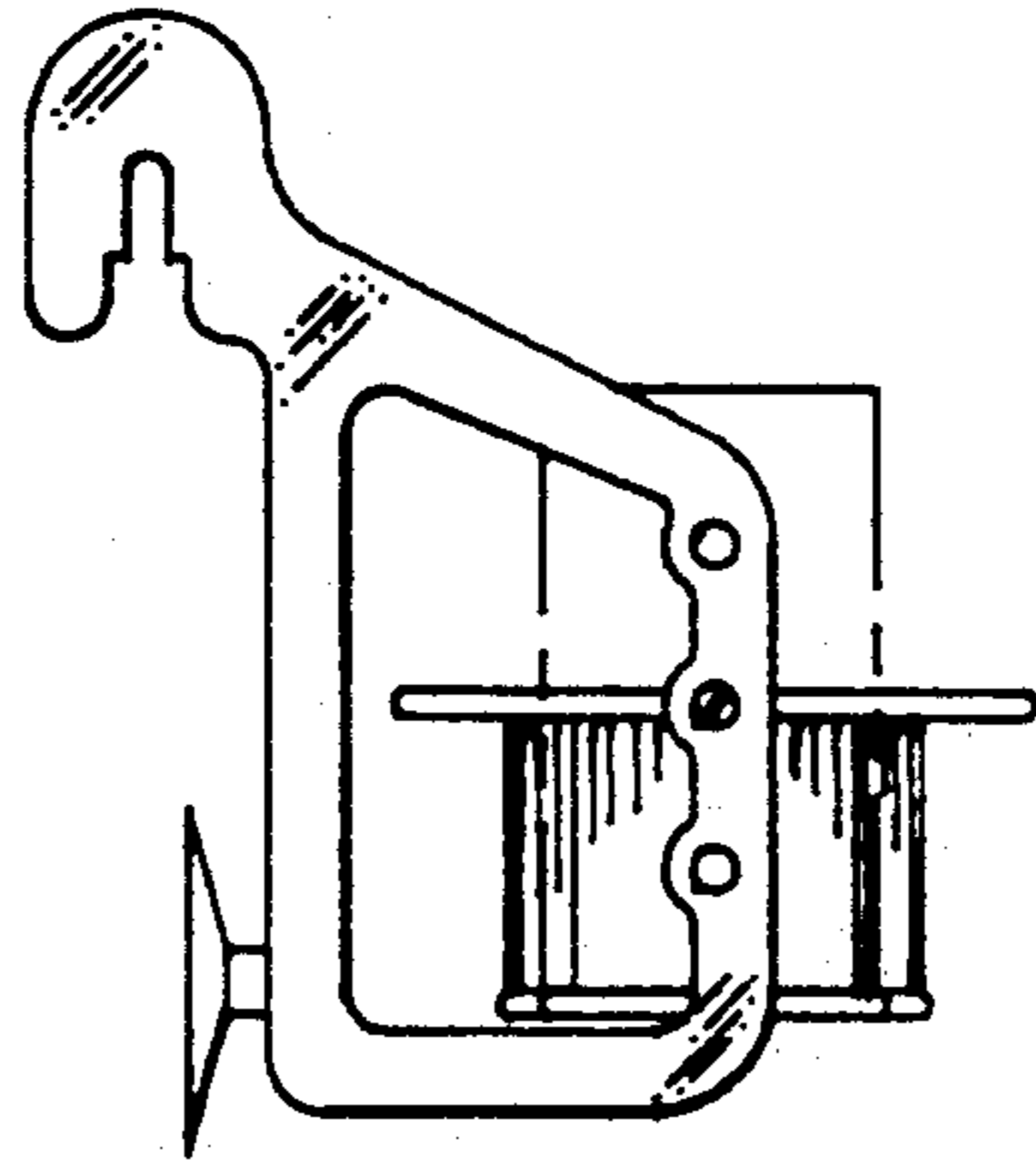


FIG. 2

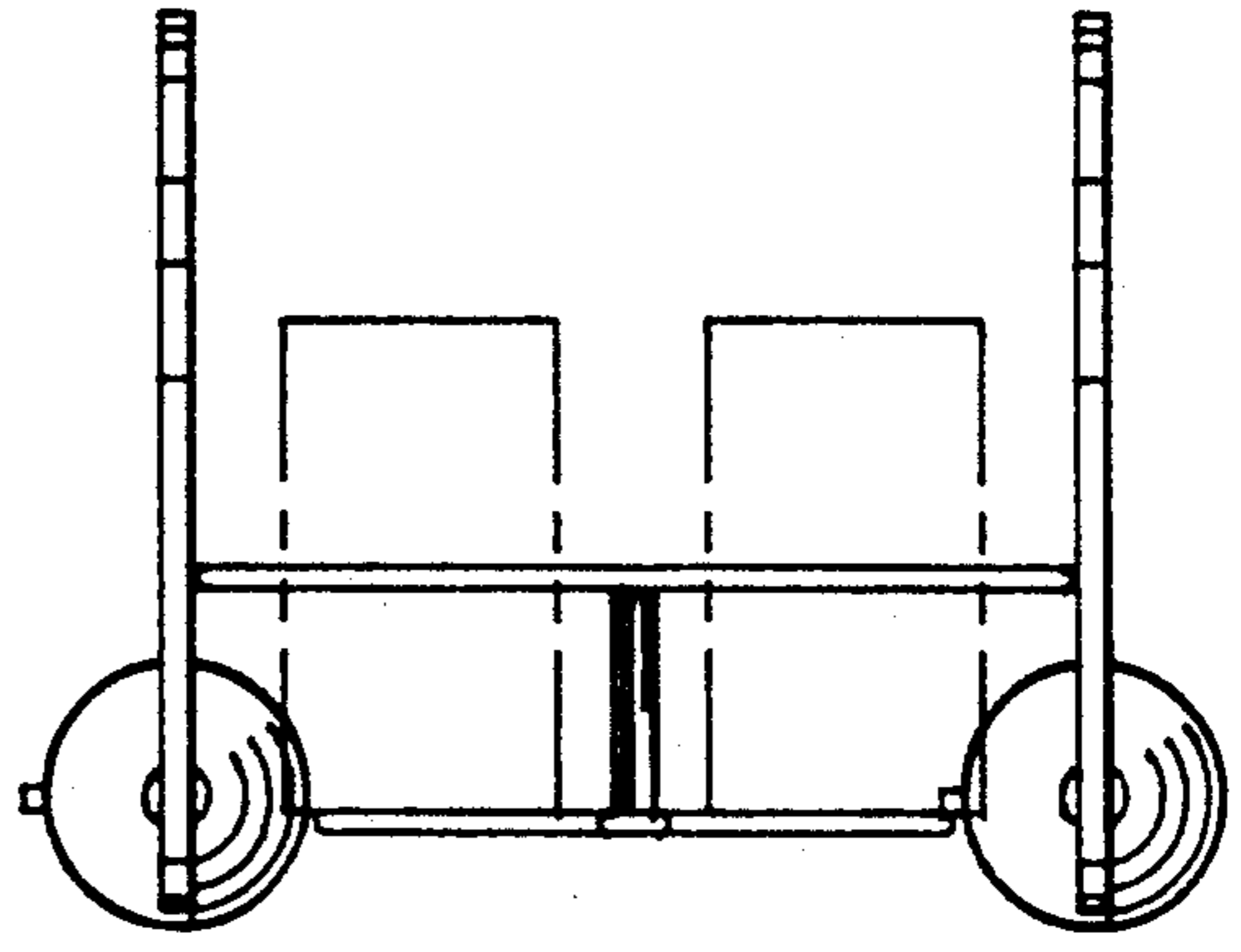


FIG. 3

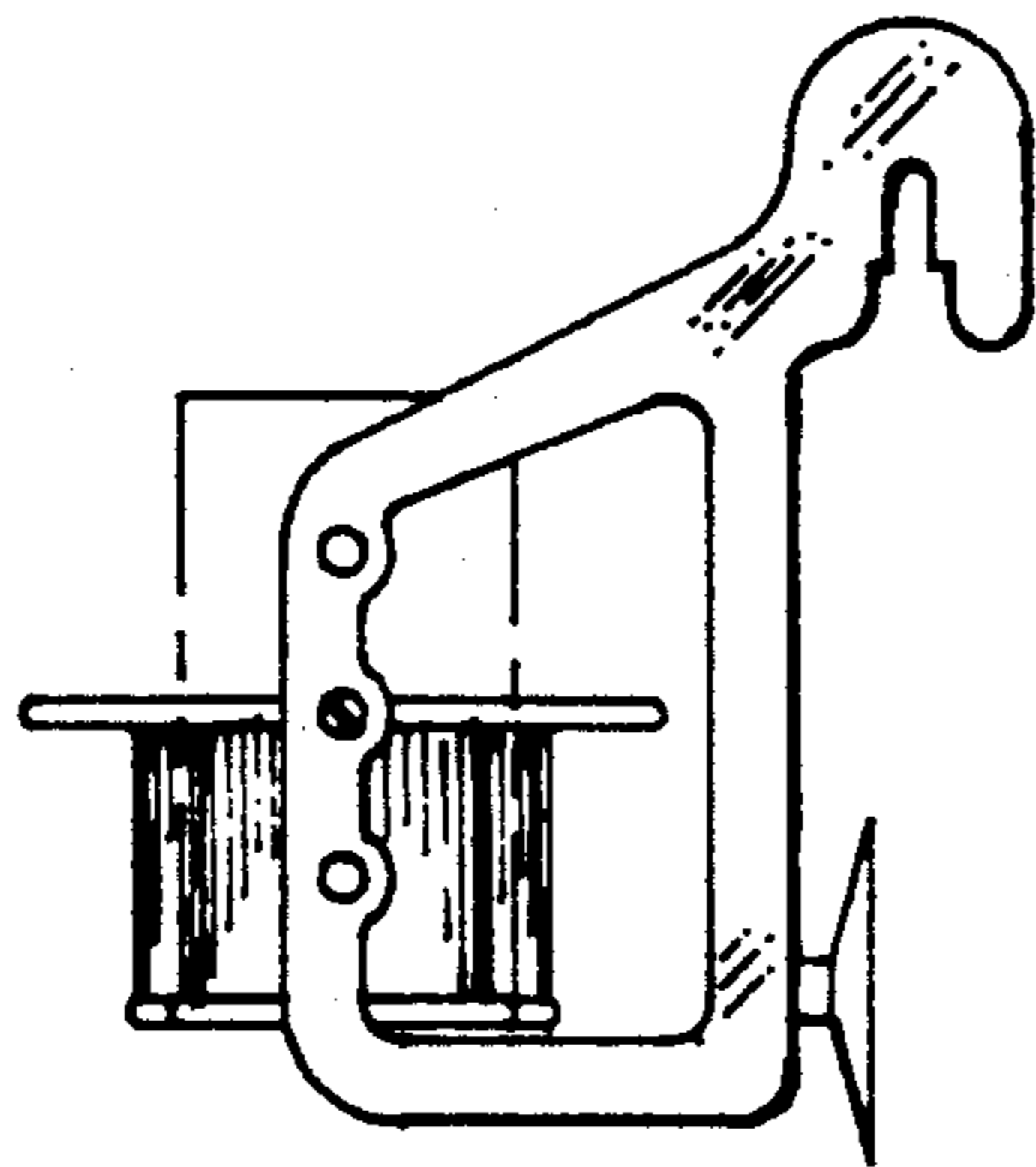


FIG. 4

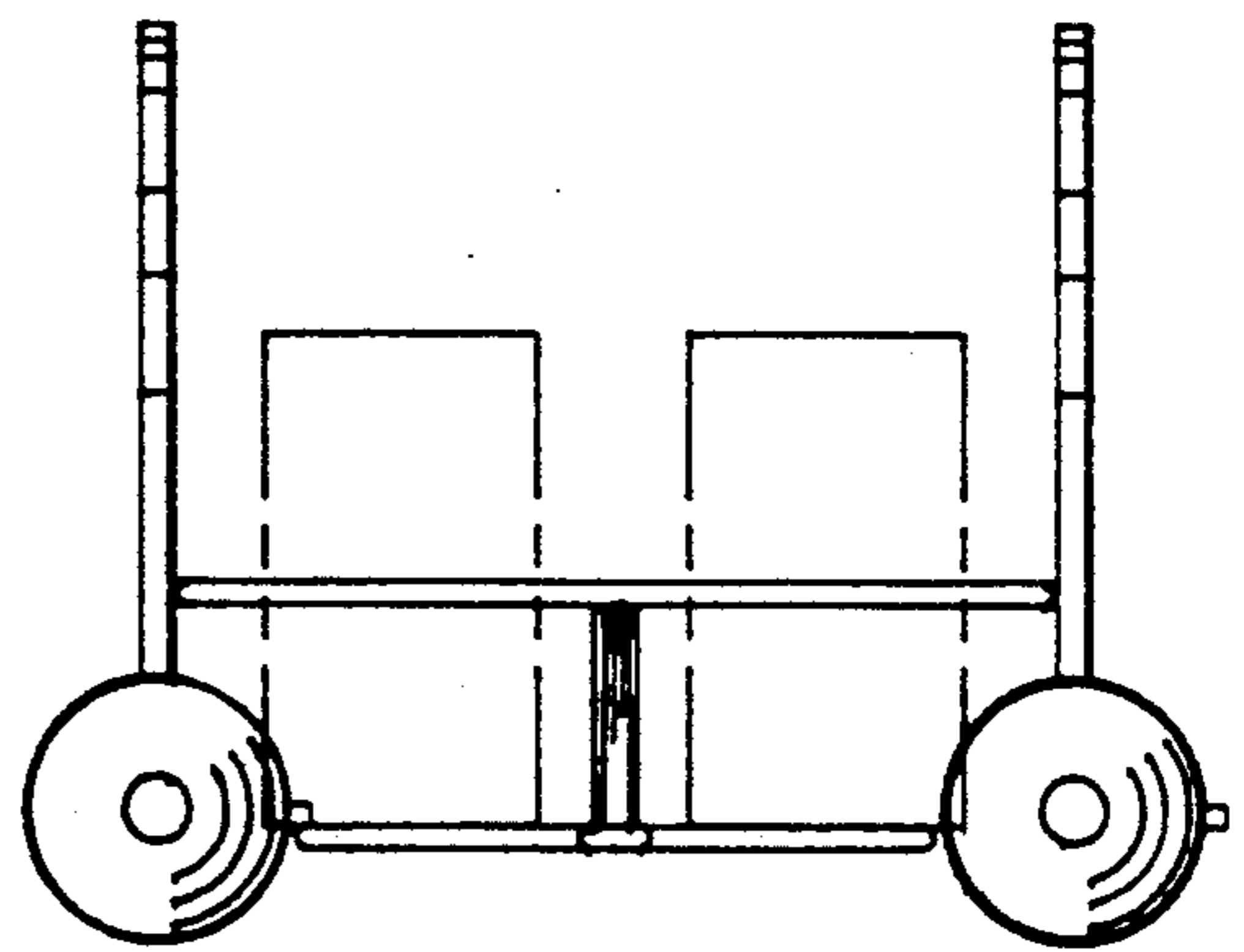


FIG. 5

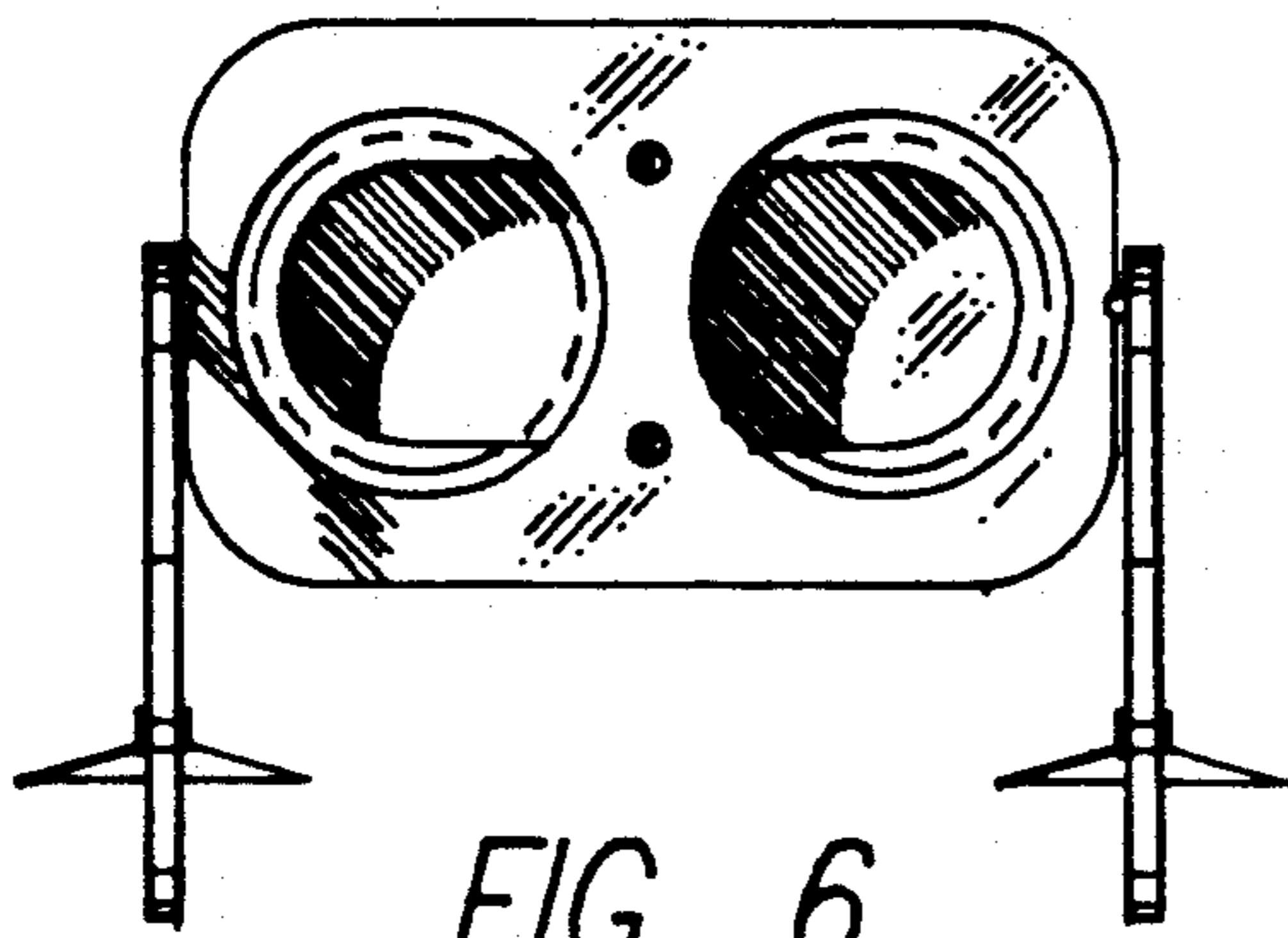


FIG. 6

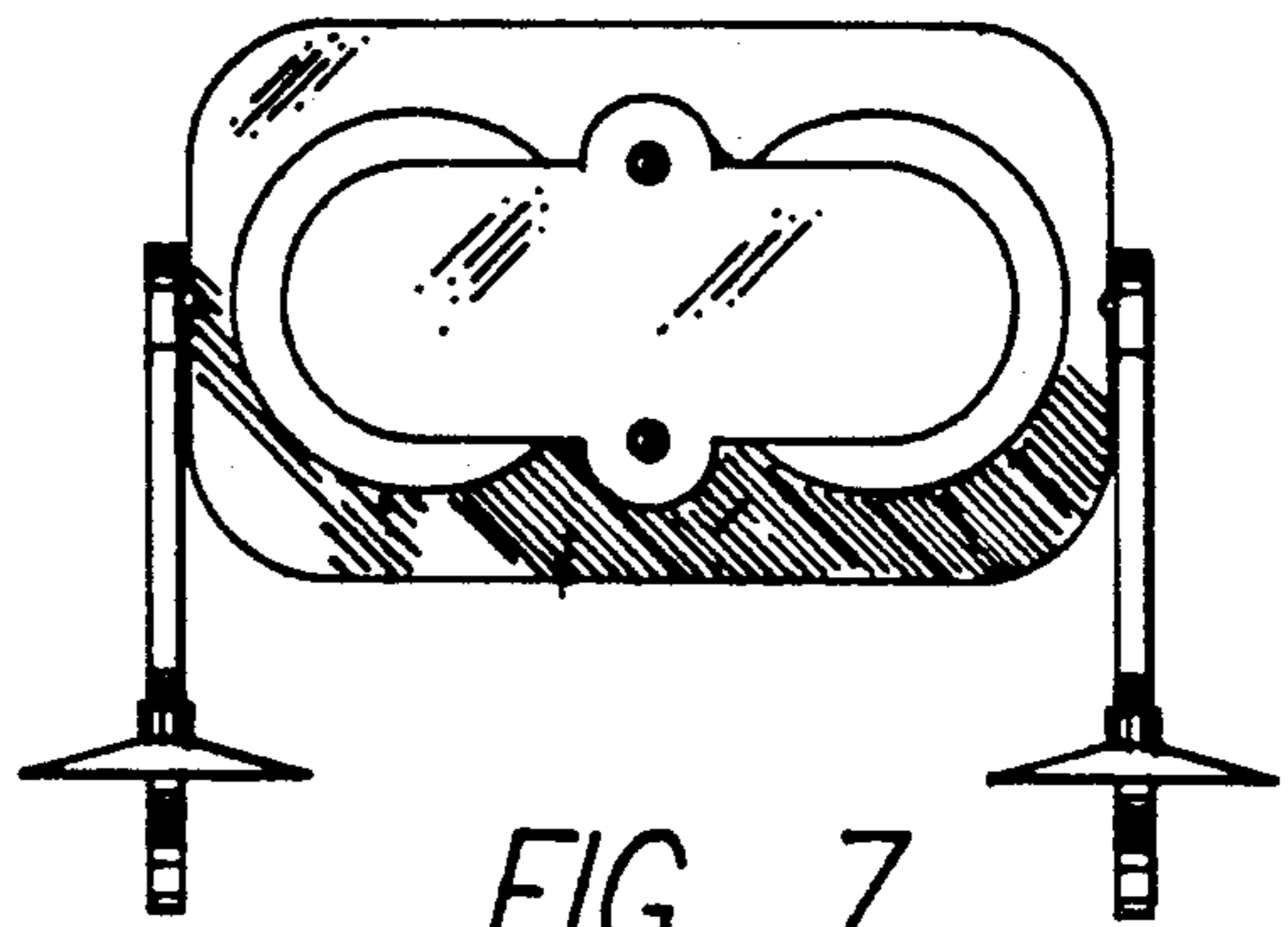


FIG. 7