



US00D323764S

# United States Patent [19]

[11] Patent Number: **Des. 323,764**

Sautour

[45] Date of Patent: **\*\* Feb. 11, 1992**

[54] HANDLE FOR A COOKING POT LID

[75] Inventor: **Philippe Sautour, Paris, France**

[73] Assignee: **Terraillon, Annemasse, France**

[\*\*] Term: **14 Years**

[21] Appl. No.: **292,511**

[22] Filed: **Dec. 30, 1988**

[30] **Foreign Application Priority Data**

Jul. 12, 1988 [FR] France ..... 884616

[52] U.S. Cl. .... **D7/393; D8/311**

[58] Field of Search ..... **D7/393, 394, 391, 392, D7/354, 322, 360; D8/307, 311**

[56] **References Cited**

**U.S. PATENT DOCUMENTS**

D. 126,745 4/1941 Jensen ..... D7/392

D. 148,677 2/1948 Chapman ..... D7/392

D. 267,073 11/1982 Lefevre ..... D7/393

**OTHER PUBLICATIONS**

*Modern Plastics Encyclopedia*, Sep. 1959-1960, p. 771,

Harry Davies Molding Co., bottom row, knob at right of center line.

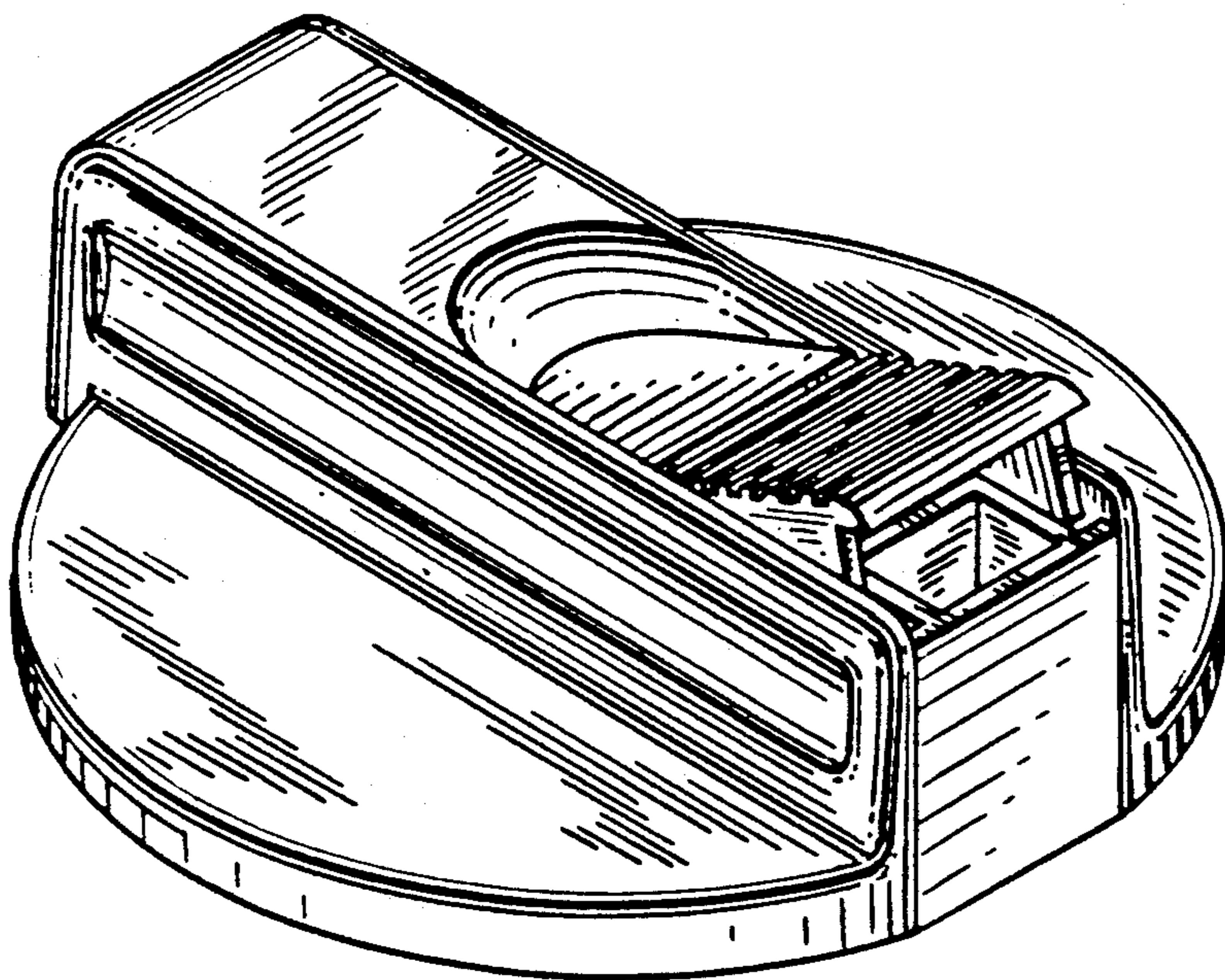
*Primary Examiner*—Winifred E. Herrmann  
*Attorney, Agent, or Firm*—Roland Plottel

[57] **CLAIM**

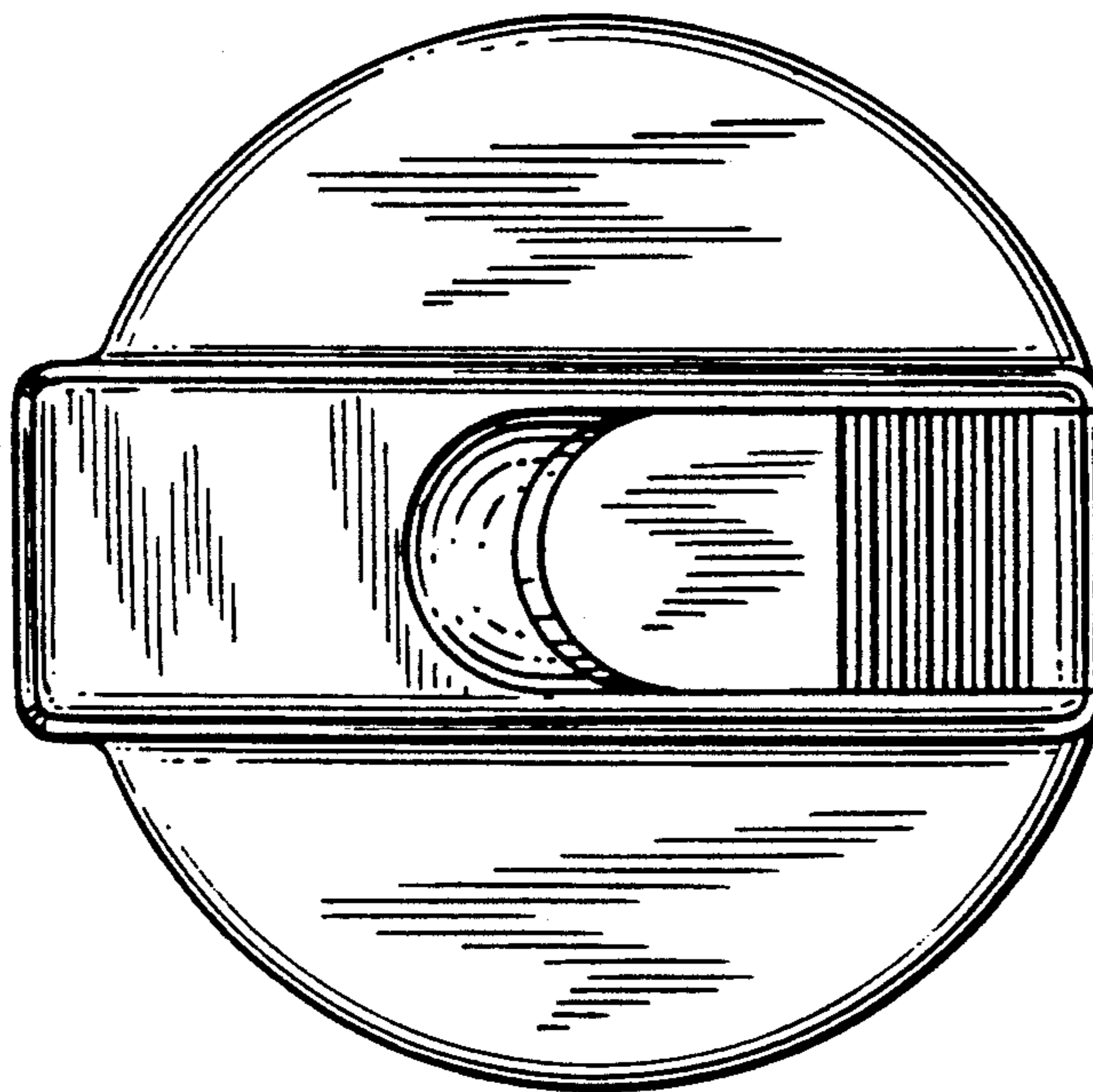
The ornamental design for a handle for a cooking pot lid, as shown and described.

**DESCRIPTION**

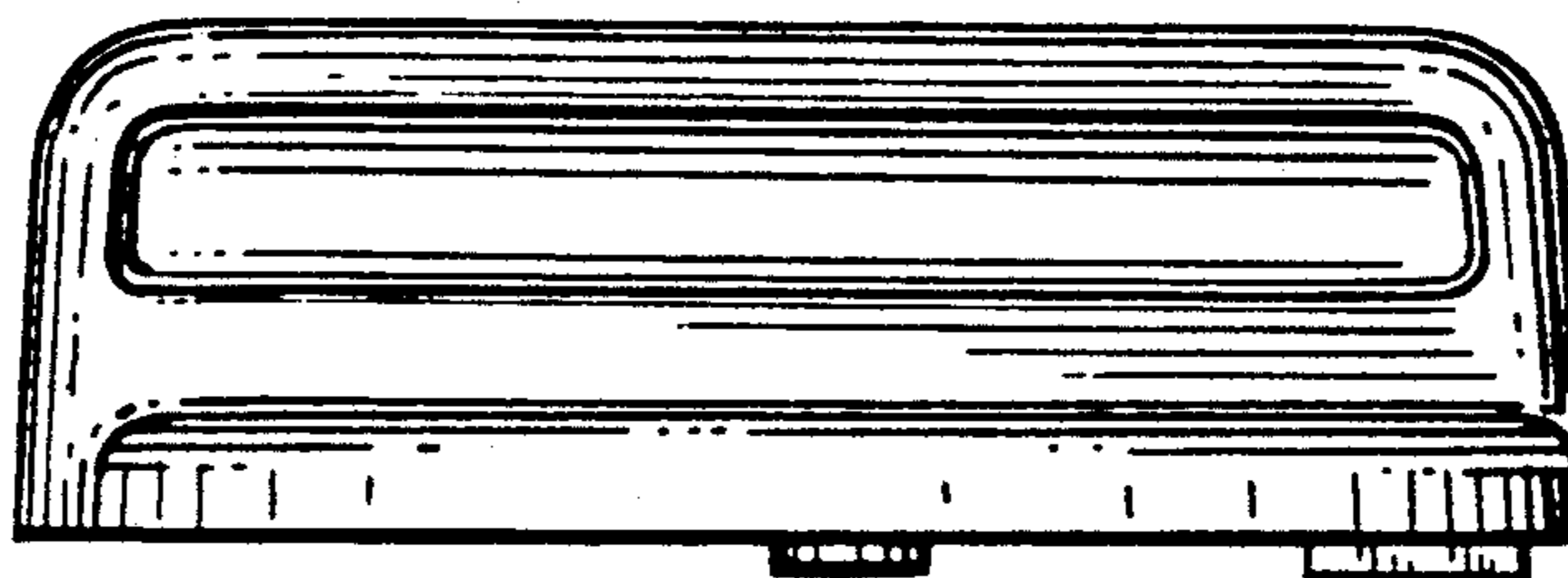
FIG. 1 is a top plan view of a handle for a cooking pot lid showing my new design in closed position;  
FIG. 2 is a front elevational view thereof (the rear view is a mirror image);  
FIG. 3 is a right side elevational view thereof;  
FIG. 4 is a left side elevational view thereof;  
FIG. 5 is a bottom plan view thereof;  
FIG. 6 is a top, front, and right side perspective view thereof in open position;  
FIG. 7 is a top plan view of FIG. 6;  
FIG. 8 is a front elevational view of FIG. 6 (the rear view is a mirror image);  
FIG. 9 is a right side elevational view of FIG. 6; and  
FIG. 10 is a left side elevational view of FIG. 6.  
The bottom plan view of the design in open position is the same as in the closed position as shown in FIG. 5.



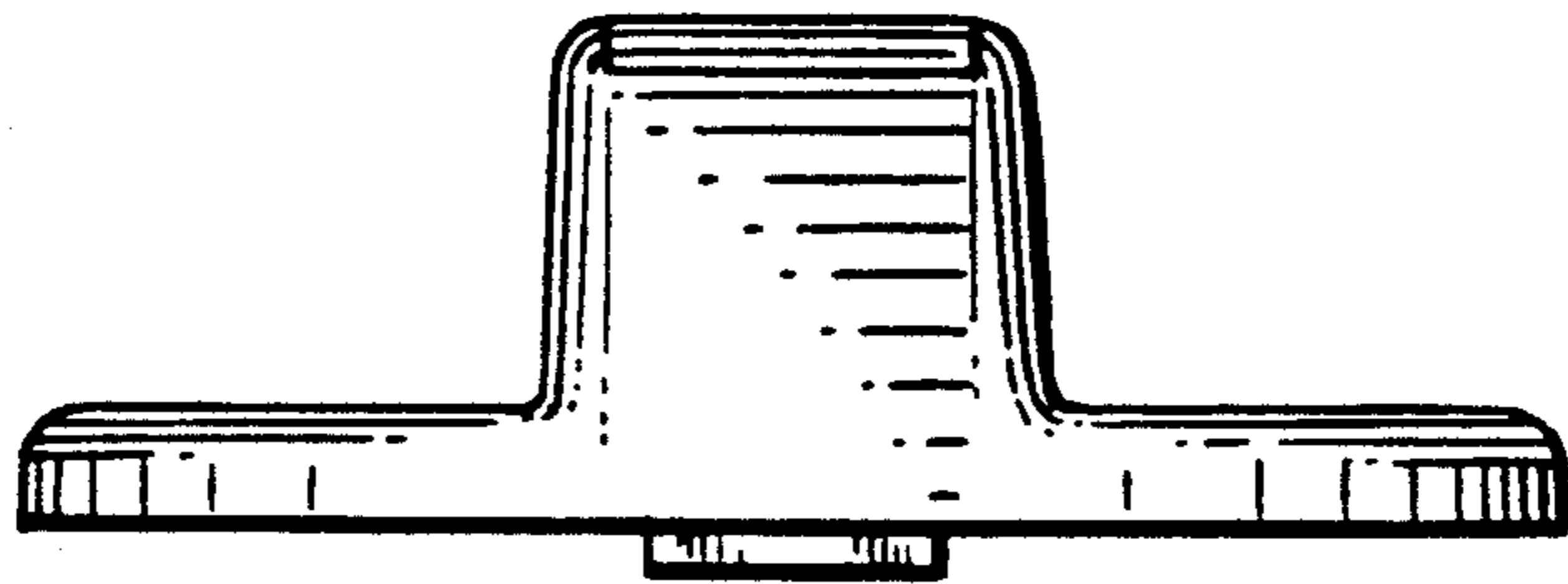
*FIG. 1*



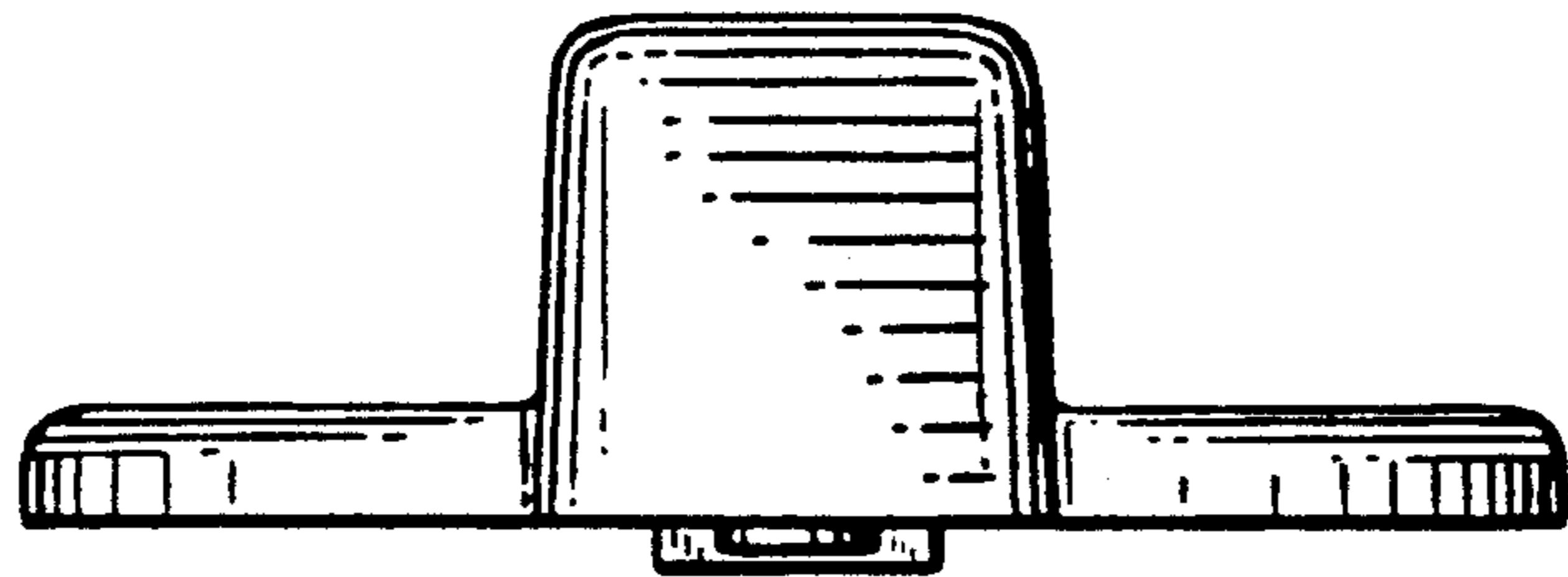
*FIG. 2*



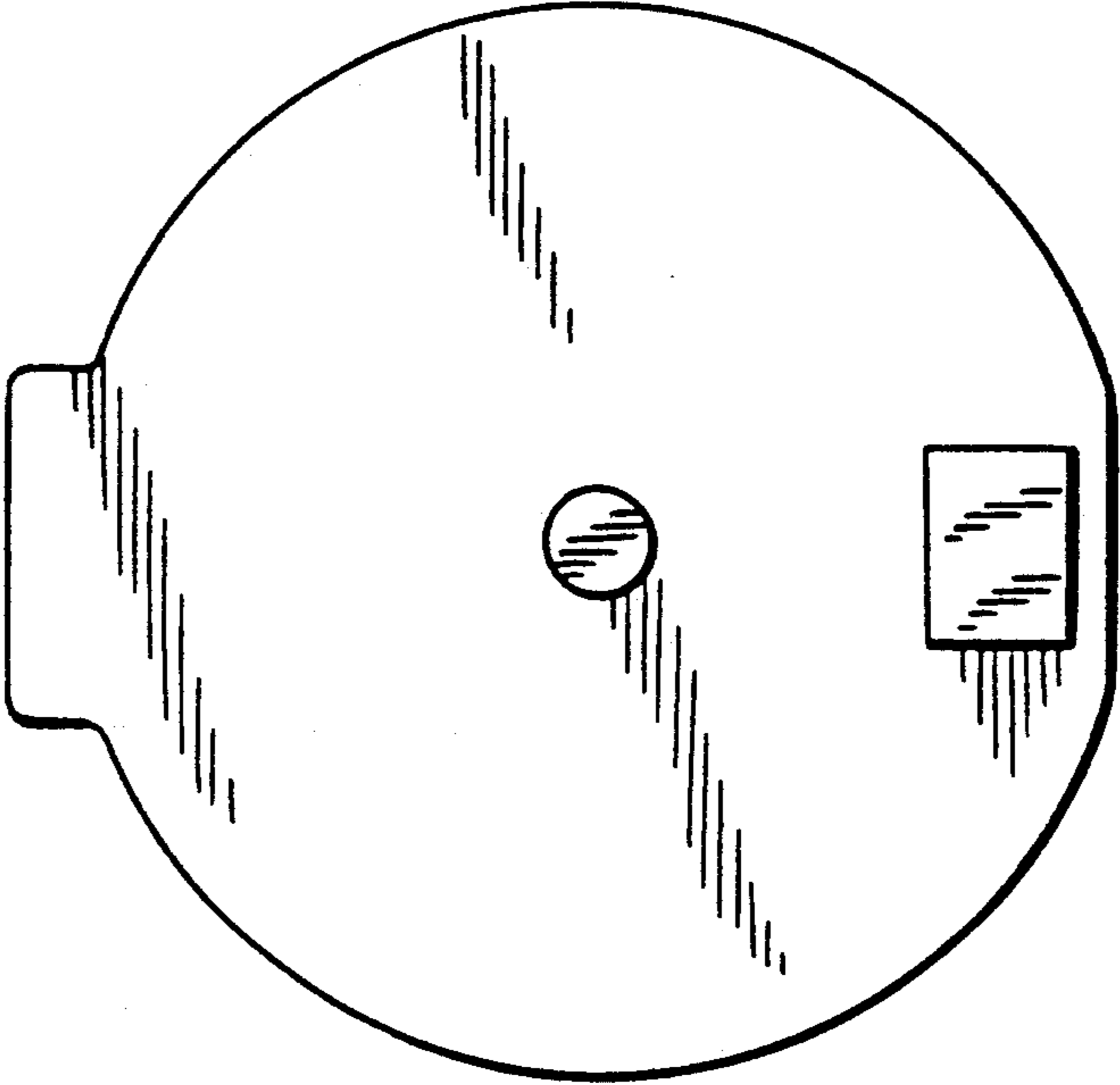
*FIG. 3*



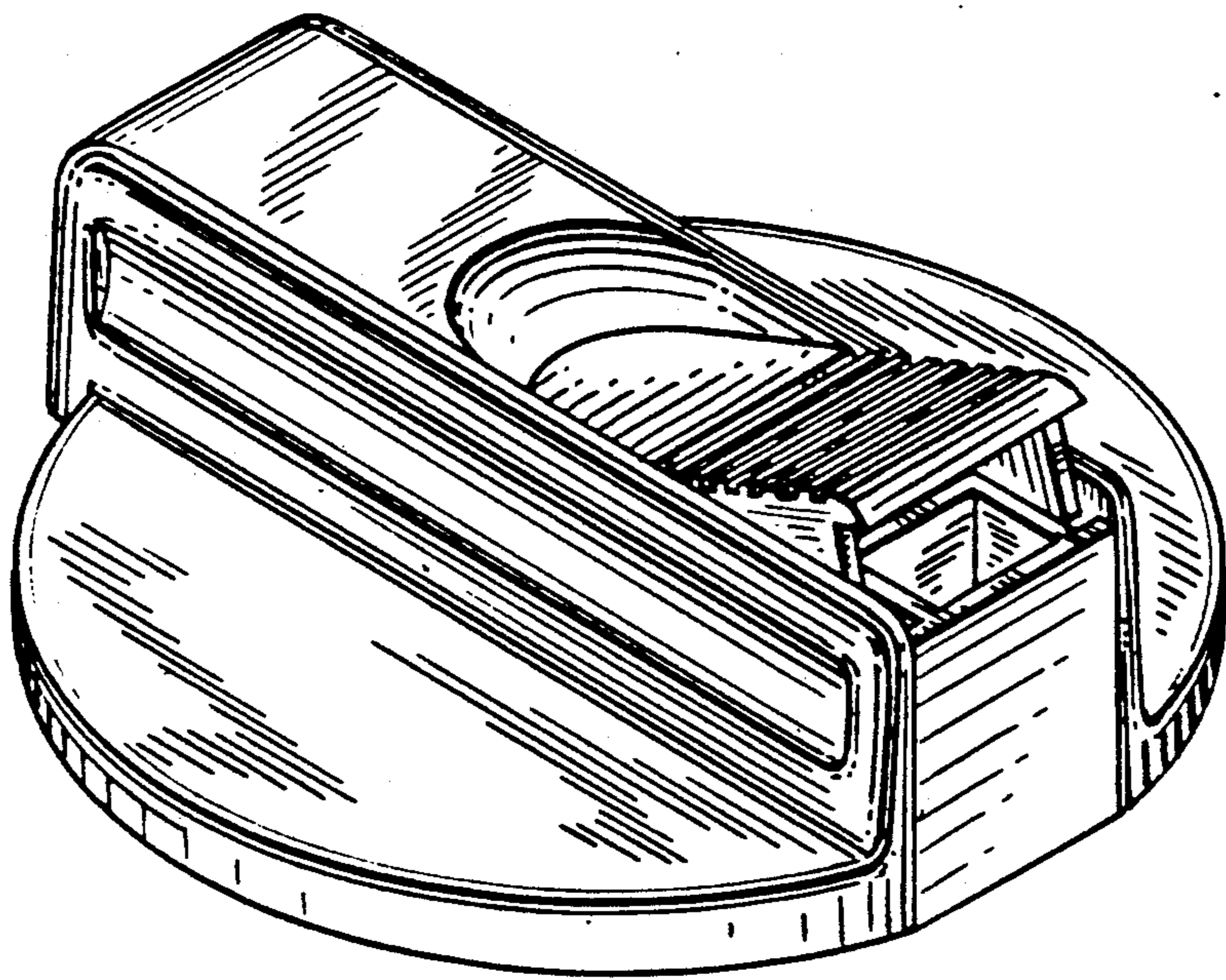
*FIG. 4*



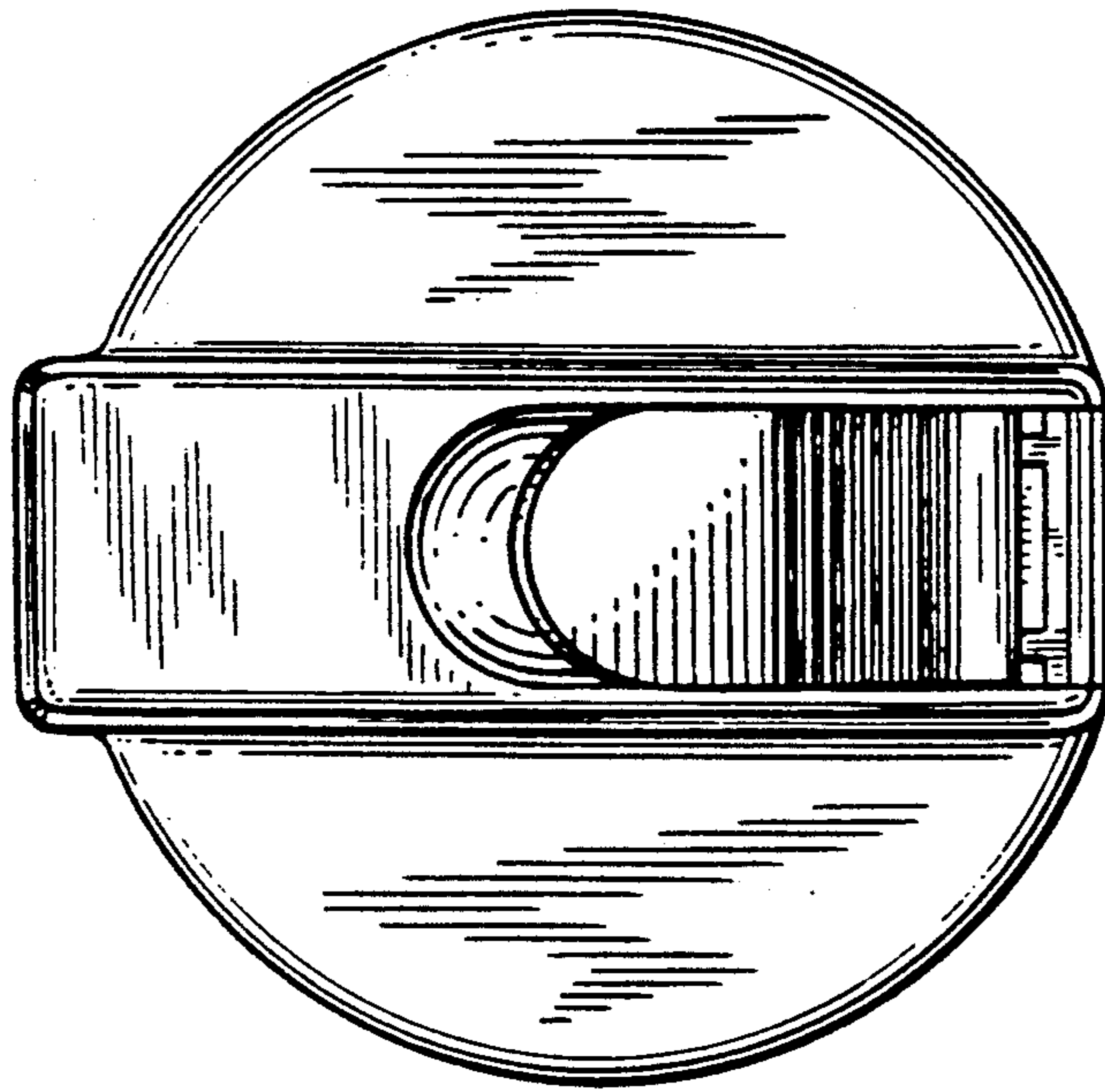
**FIG. 5**



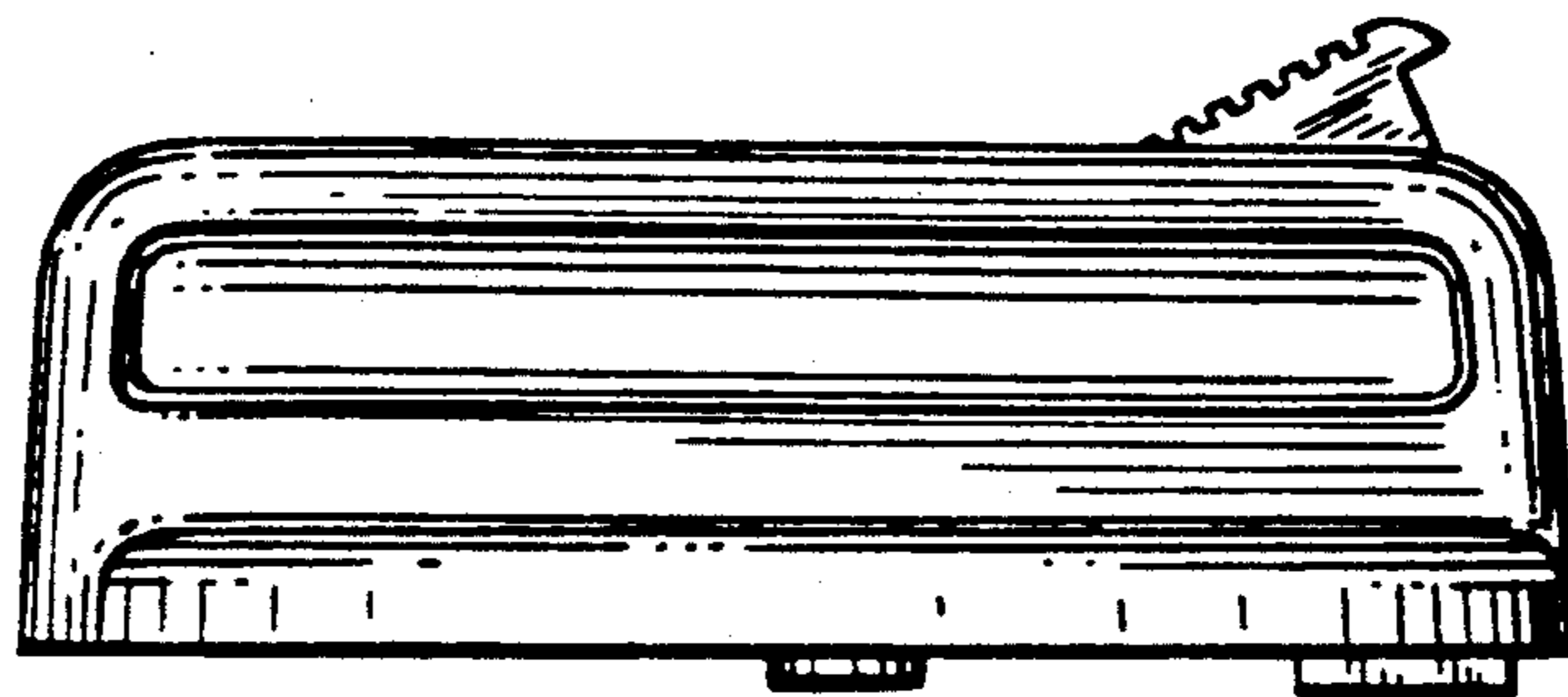
**FIG. 6**



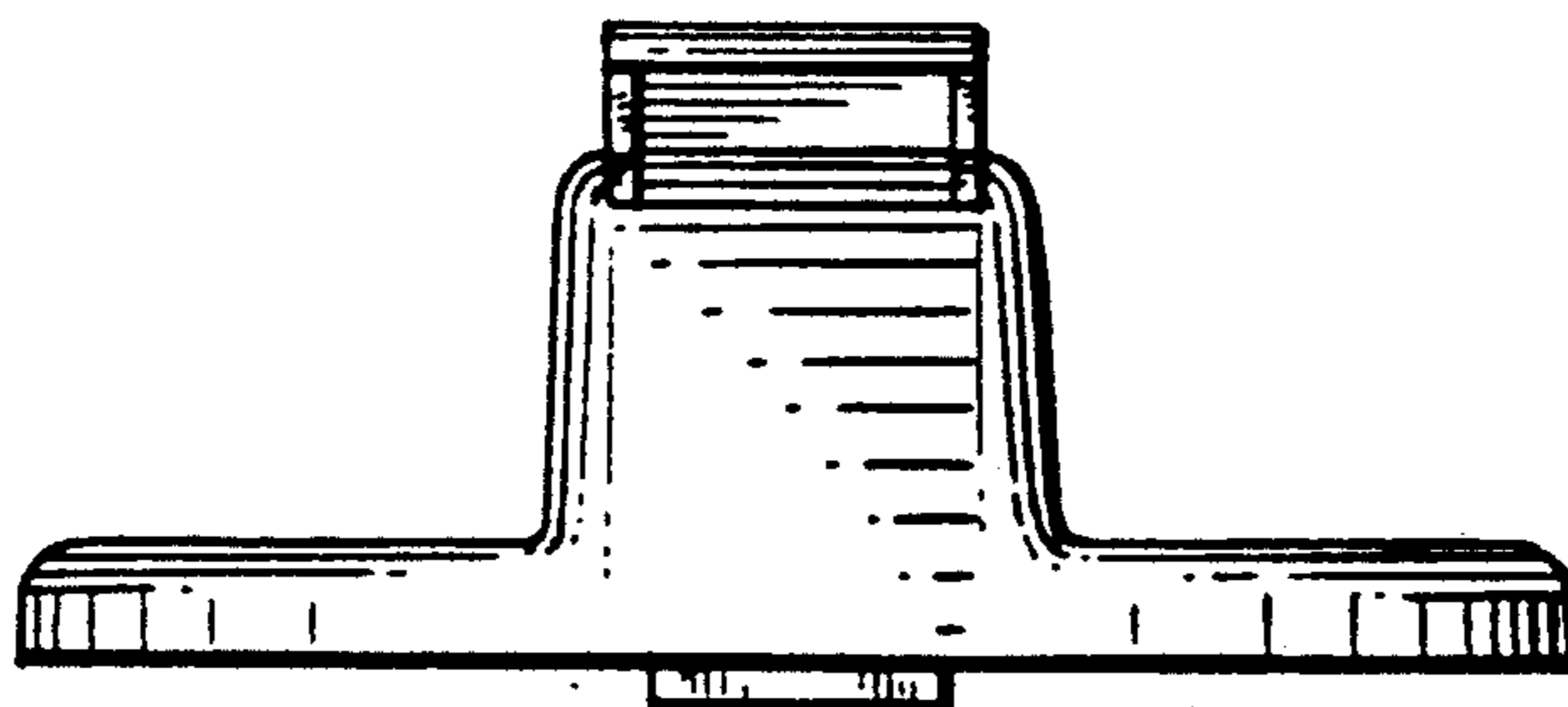
*FIG. 7*



*FIG. 8*



*FIG. 9*



*FIG. 10*

