



US00D323762S

United States Patent [19]

[11] Patent Number: **Des. 323,762**

Barrault

[45] Date of Patent: **** Feb. 11, 1992**

[54] **ELECTRIC DEEP FAT FRYER**
[75] Inventor: **Jean-Louis Barrault,**
Boulogne-Billancourt, France

3,801,331 4/1974 Sano et al. 99/403
4,636,618 1/1987 Jenicot D7/354 X

[73] Assignee: **Moulinex (Societe Anonyme),**
Bagnolet, France

FOREIGN PATENT DOCUMENTS

0263084 4/1988 European Pat. Off. 99/403

[**] Term: **14 Years**

Primary Examiner—Nelson C. Holtje
Assistant Examiner—Caron D. Veynar
Attorney, Agent, or Firm—Young & Thompson

[21] Appl. No.: **443,383**

[57] CLAIM

[22] Filed: **Nov. 30, 1989**

The ornamental design for an electric deep fat fryer, as shown.

[30] Foreign Application Priority Data

Jun. 15, 1989 [FR] France 89 3947

[52] U.S. Cl. **D7/354**

[58] Field of Search **D7/323, 354, 360;**
99/324, 336, 330, 403; 219/457, 478, 483

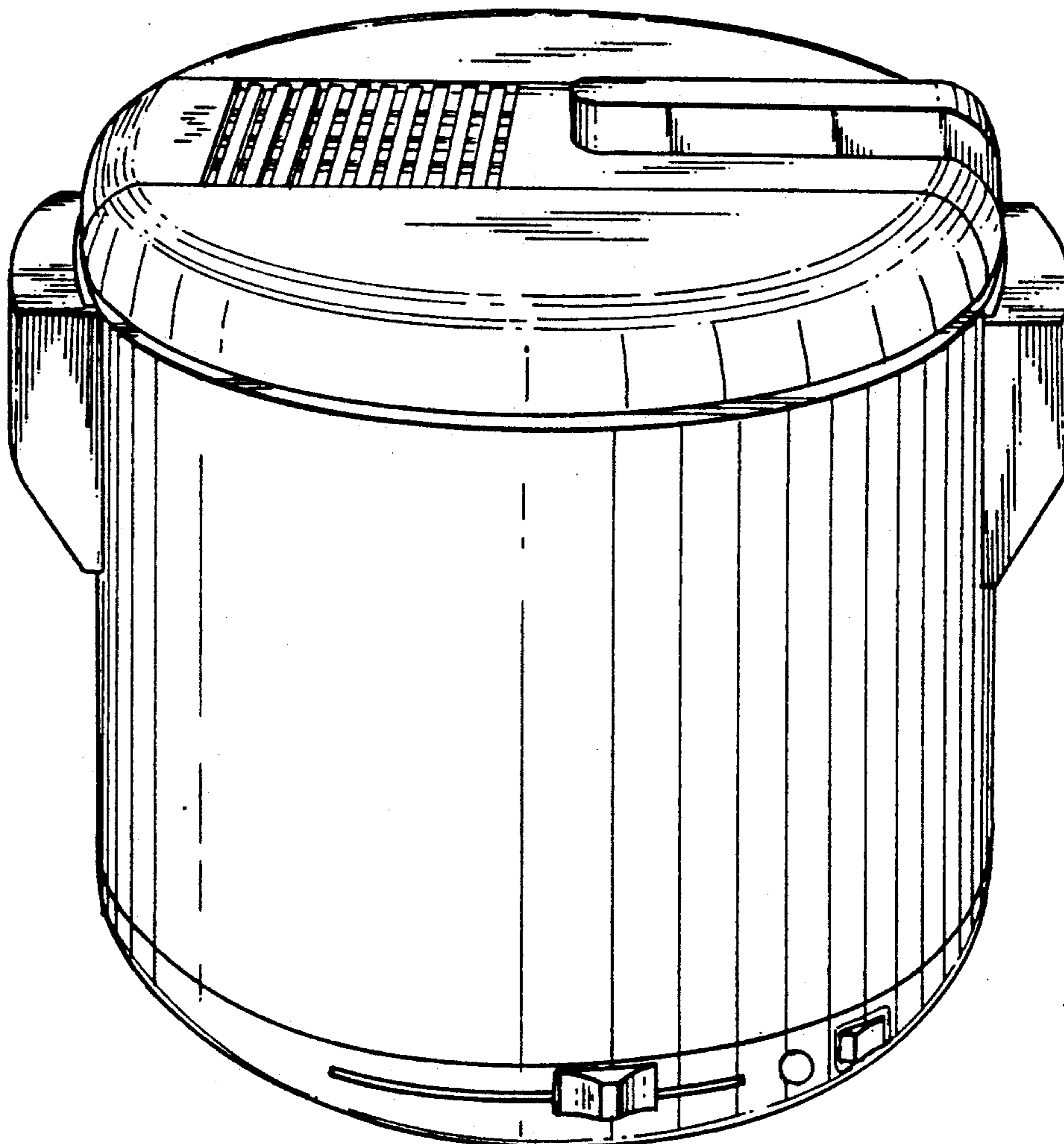
DESCRIPTION

FIG. 1 is a front and top perspective view of an electric deep fat fryer showing my new design;
FIG. 2 is a front elevational view thereof;
FIG. 3 is a rear elevational view thereof;
FIG. 4 is a right side elevational view thereof;
FIG. 5 is a left side elevational view thereof;
FIG. 6 is a top plan view thereof; and
FIG. 7 is a bottom plan view thereof.

[56] References Cited

U.S. PATENT DOCUMENTS

D. 313,530 1/1991 Leiros D7/354
3,463,077 8/1969 Lescure 99/403



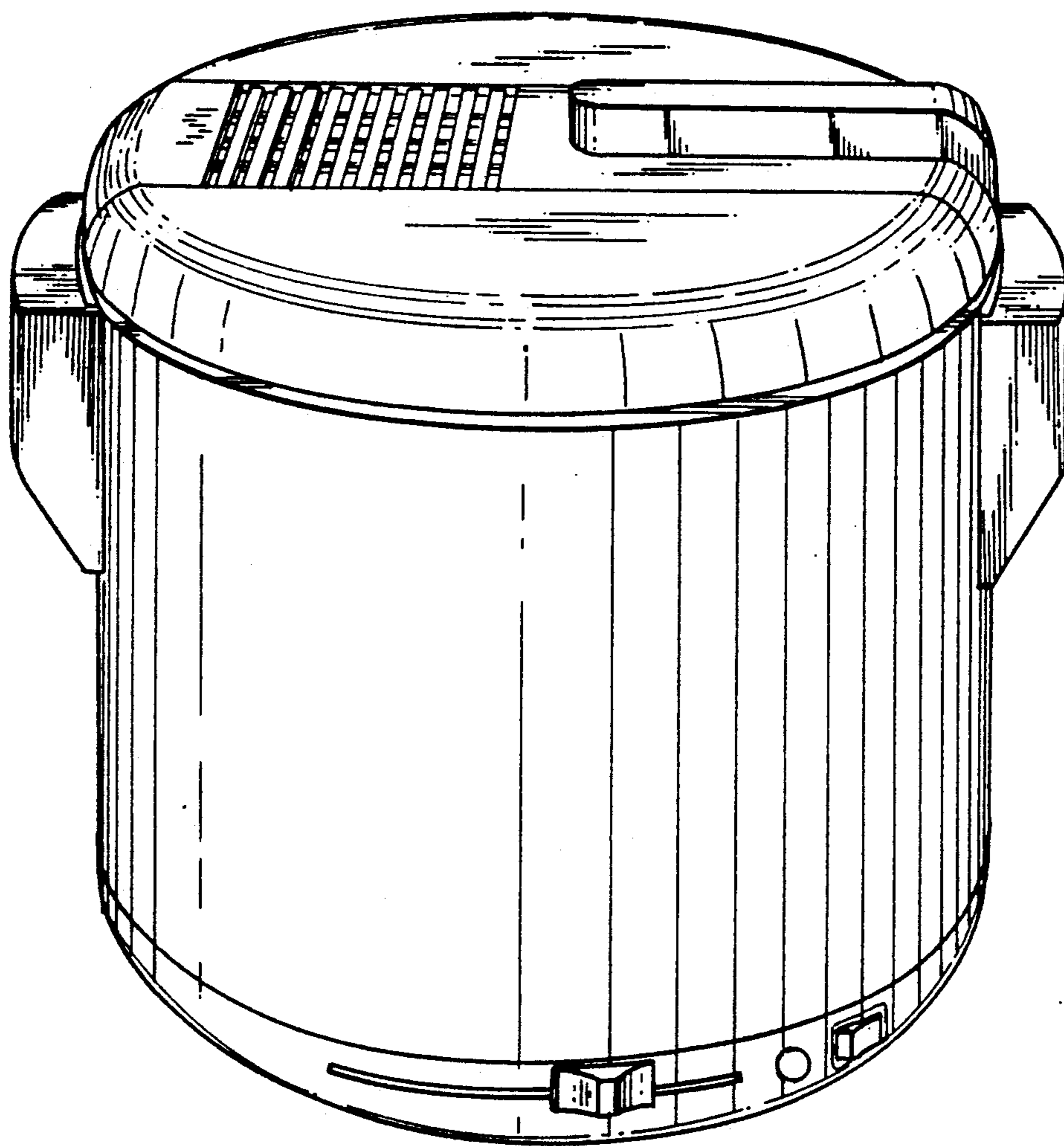


FIG. 1

FIG. 2

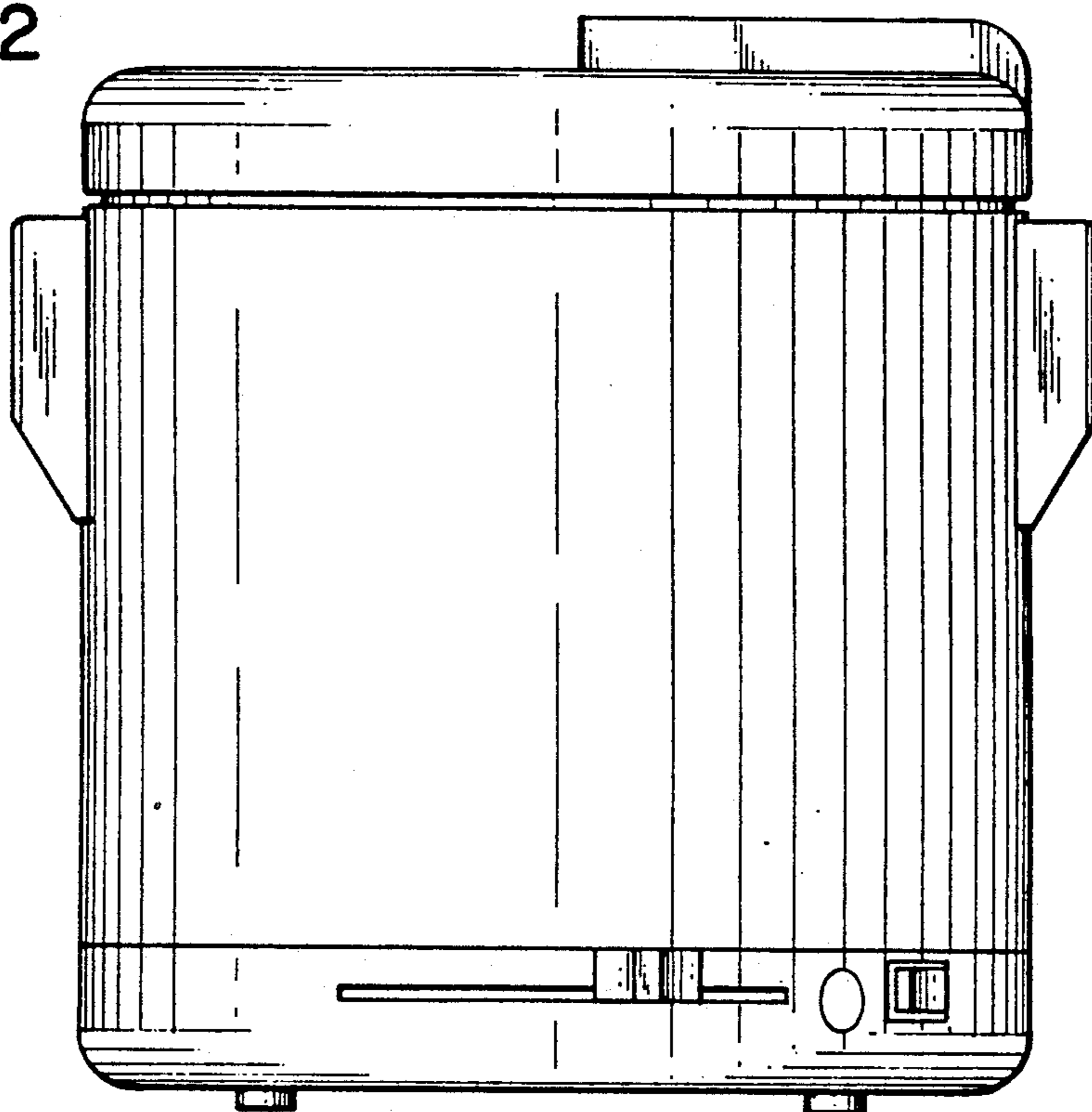


FIG. 3

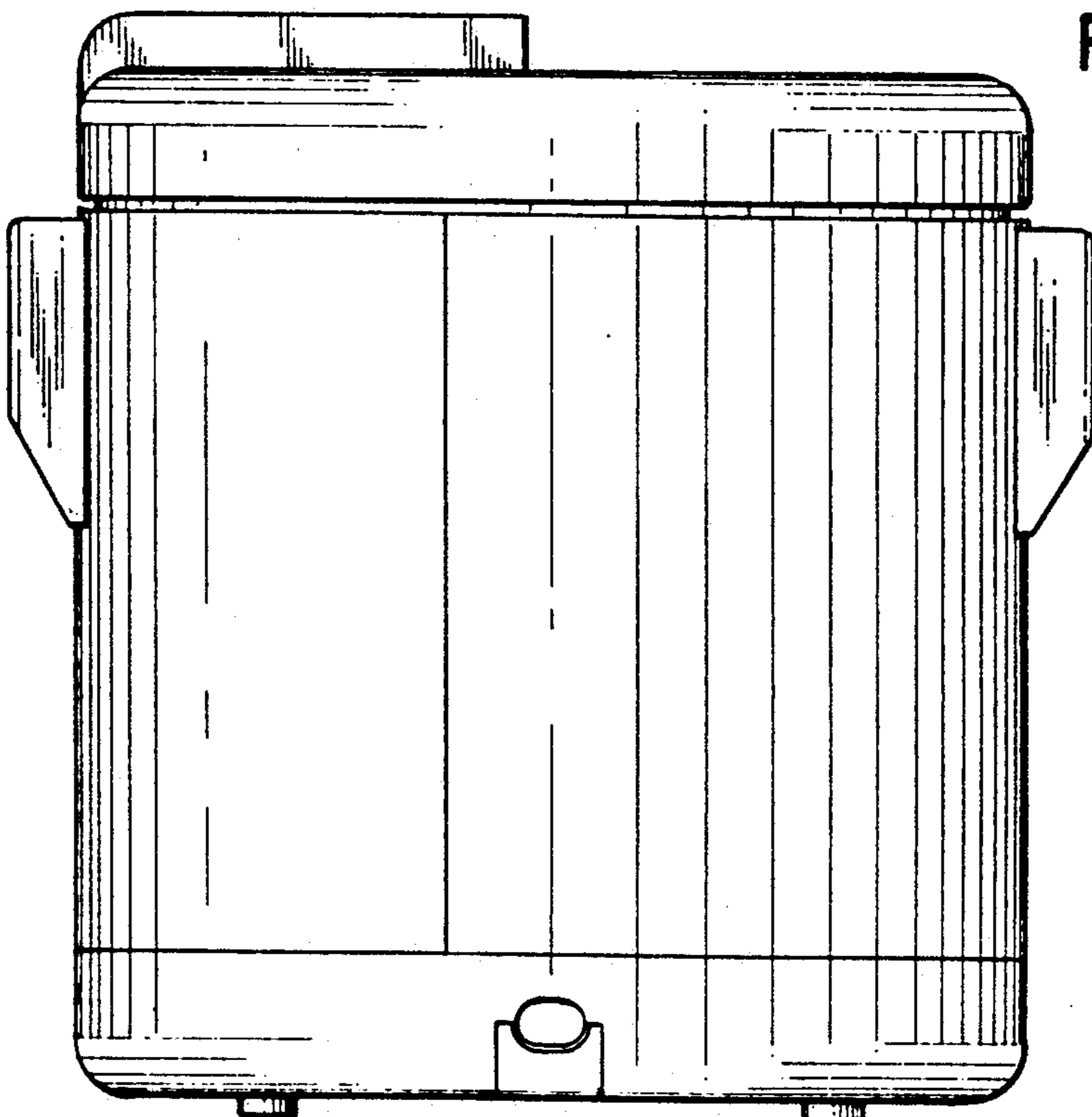


FIG. 4

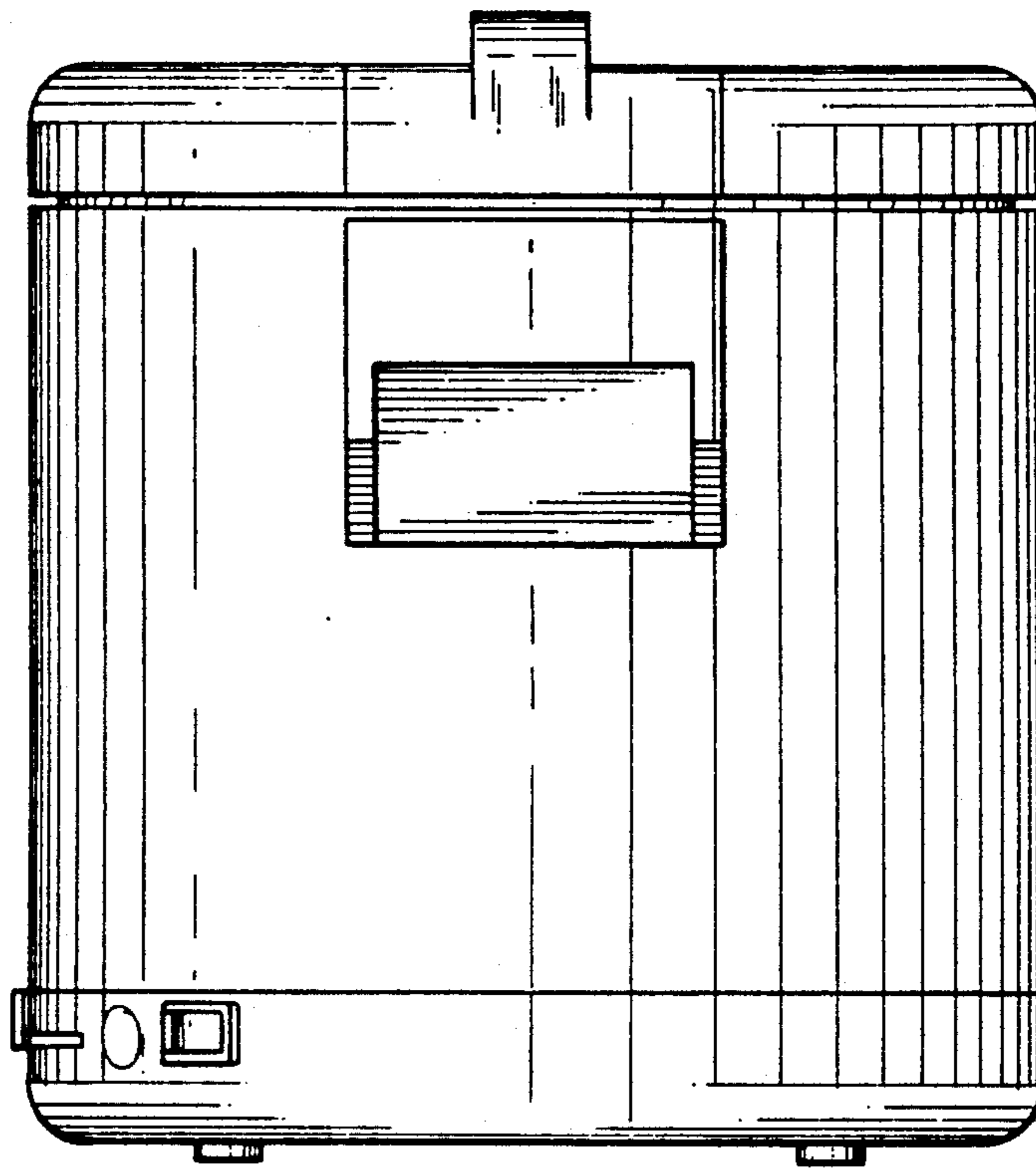


FIG. 5

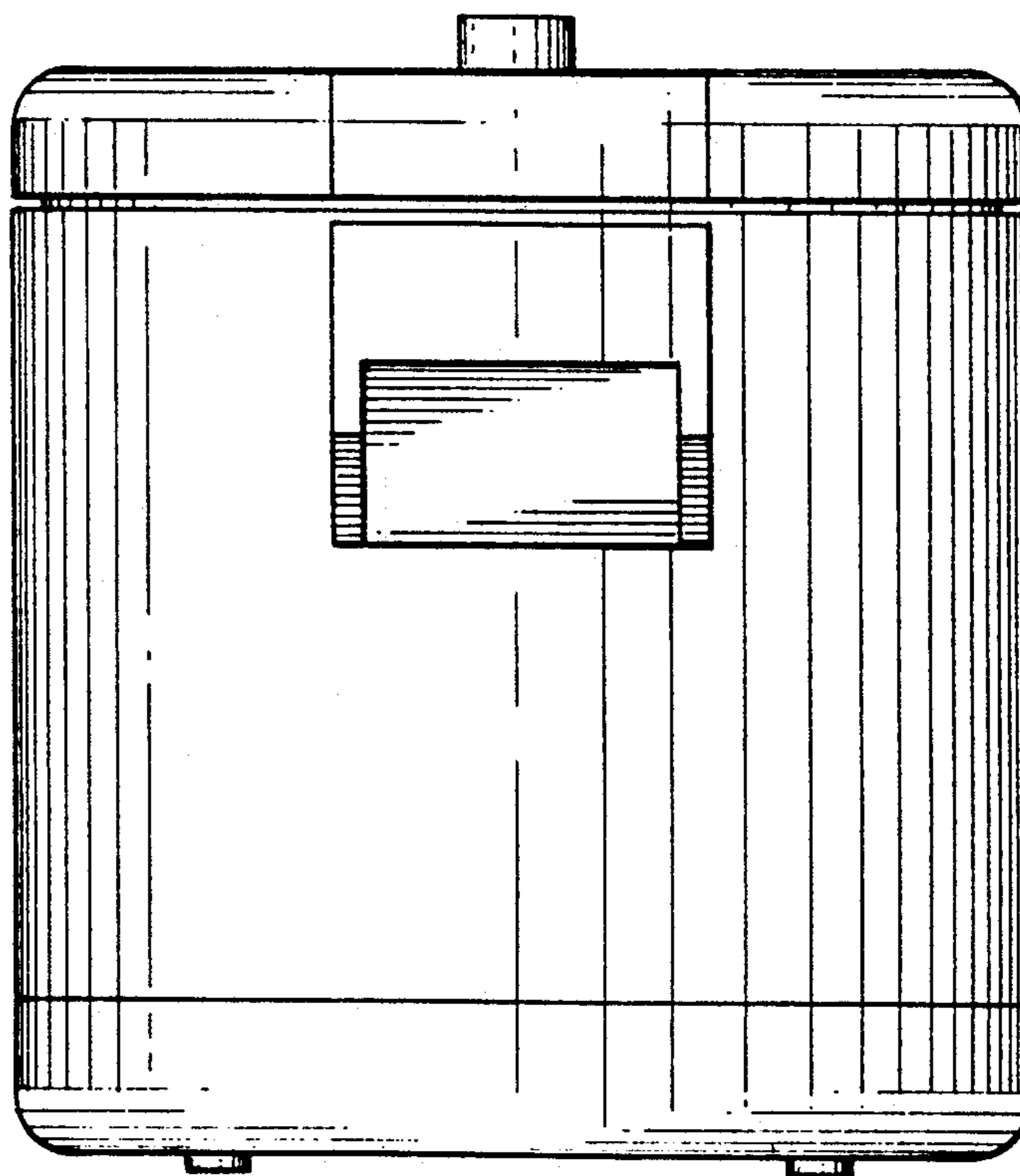


FIG. 6

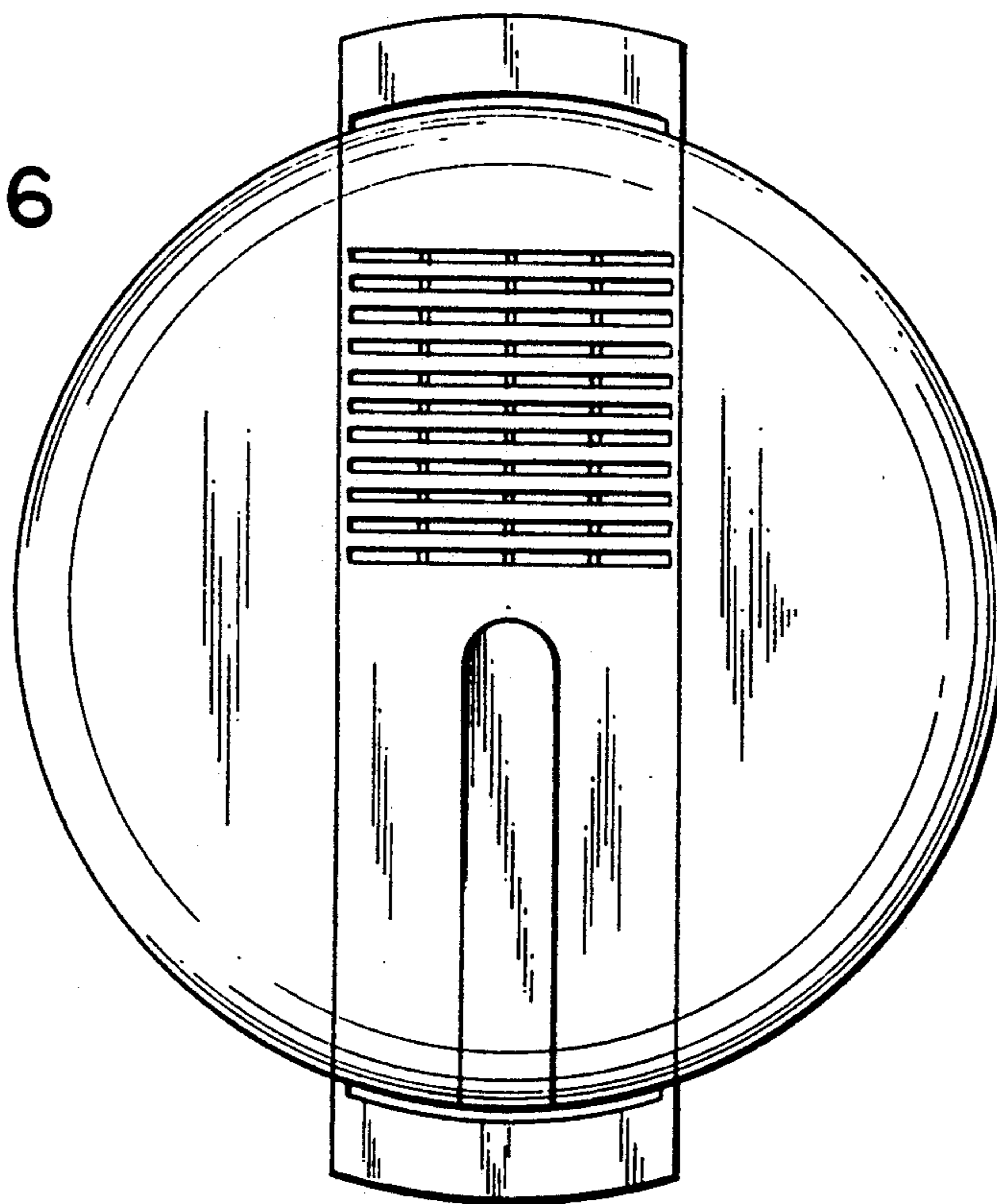


FIG. 7

