



US00D323758S

United States Patent [19]

[11] Patent Number: **Des. 323,758**

Hoelterscheidt

[45] Date of Patent: **** Feb. 11, 1992**

[54] **VACUUM BOTTLE**

[75] Inventor: **Siegfried Hoelterscheidt,**
Hückelhoven, Fed. Rep. of Germany

[73] Assignee: **Walter Henkels GmbH,** Fed. Rep. of
Germany

[**] Term: **14 Years**

[21] Appl. No.: **348,445**

[22] Filed: **May 8, 1989**

[30] **Foreign Application Priority Data**

Jan. 9, 1989 [WO] World Int. Prop. O. DM/012567

[52] U.S. Cl. **D7/317; D7/536;**
D7/608

[58] **Field of Search** **D7/317, 319, 312, 316,**
D7/300, 318, 605, 608, 510, 511, 619, 320, 321,
536, 533, 507; 222/465.1, 131; 62/457.3, 457.4,
457.9; 215/13.1; 220/412, 903

[56] **References Cited**

U.S. PATENT DOCUMENTS

D. 182,852 5/1958 Russell D7/608

- D. 196,598 10/1963 Lewis D7/536
- D. 200,978 4/1965 Seltz D7/608
- D. 222,521 10/1971 Johnson D7/608
- D. 303,905 10/1989 Gibert D7/317

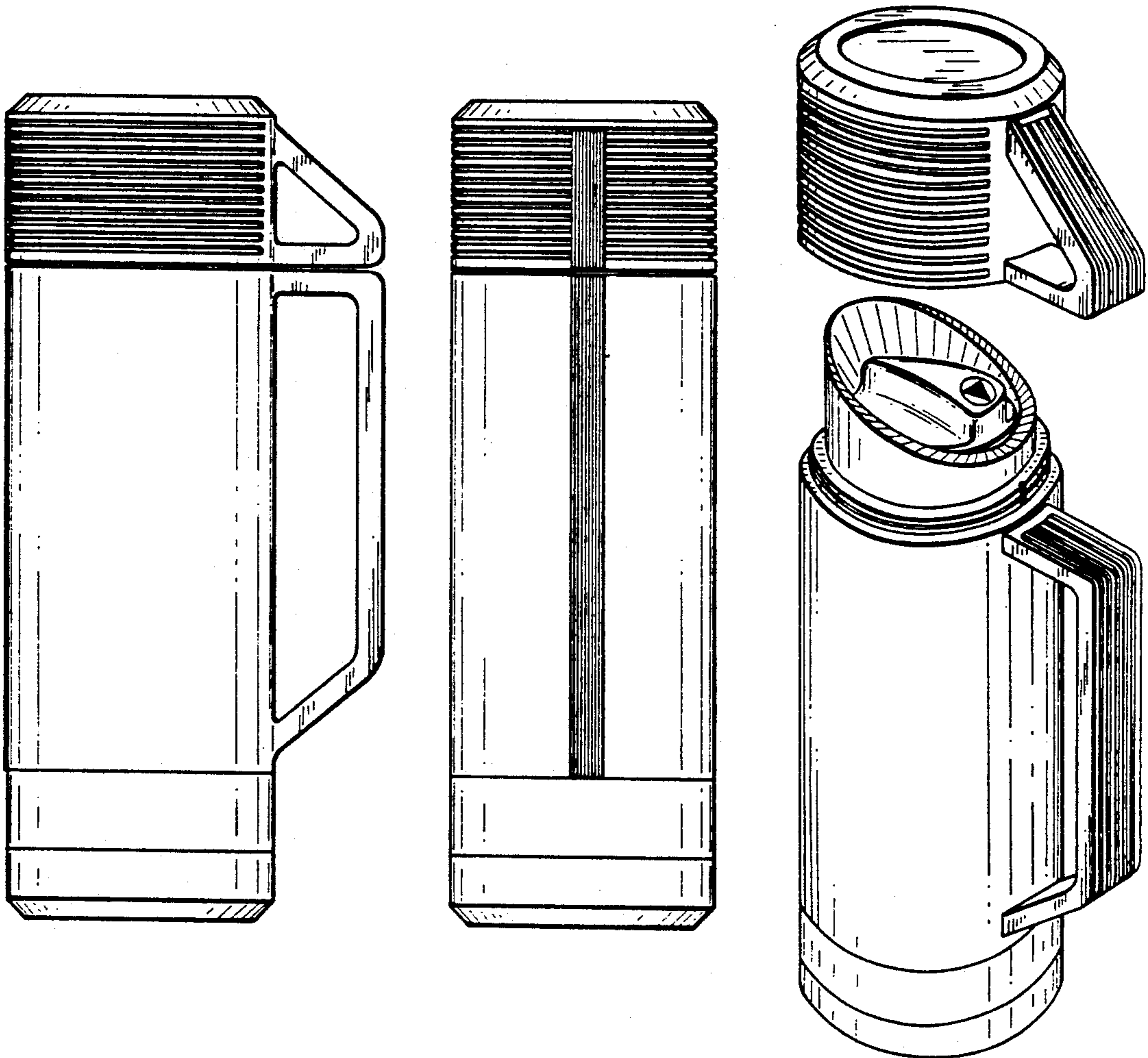
Primary Examiner—Winifred E. Herrmann
Attorney, Agent, or Firm—Diller, Ramik & Wight

[57] **CLAIM**

The ornamental design for a vacuum bottle, as shown and described.

DESCRIPTION

FIG. 1 is a top rear perspective view of a vacuum bottle showing my new design;
 FIG. 2 is a rear elevational view thereof;
 FIG. 3 is a bottom plan view thereof;
 FIG. 4 is a side elevational view thereof, the opposite side being substantially a mirror image thereto;
 FIG. 5 is a front elevational view thereof;
 FIG. 6 is a top plan view thereof;
 FIG. 7 is an exploded top rear perspective view thereof;
 FIG. 8 is a bottom plan view of the cover of FIG. 7; and
 FIG. 9 is a top plan view of FIG. 7 with the cover omitted for convenience of illustration.



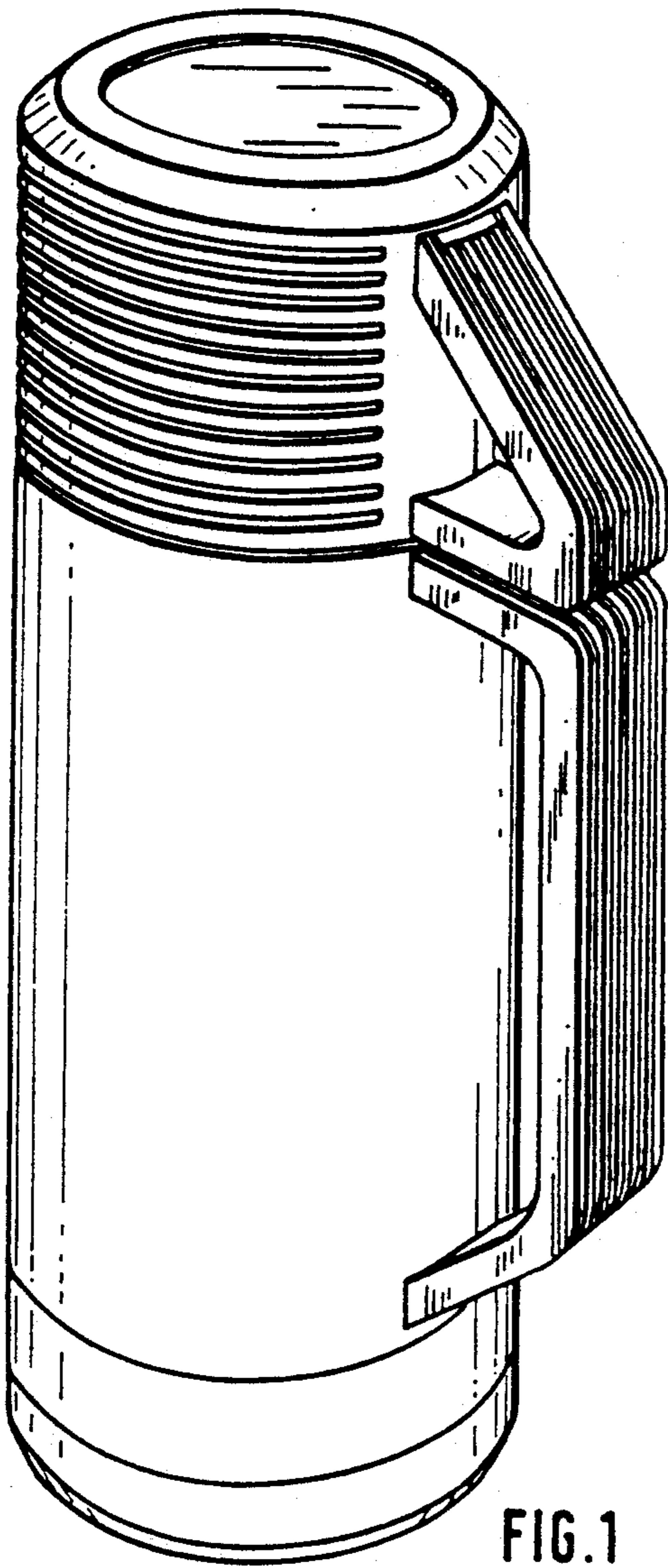


FIG. 1

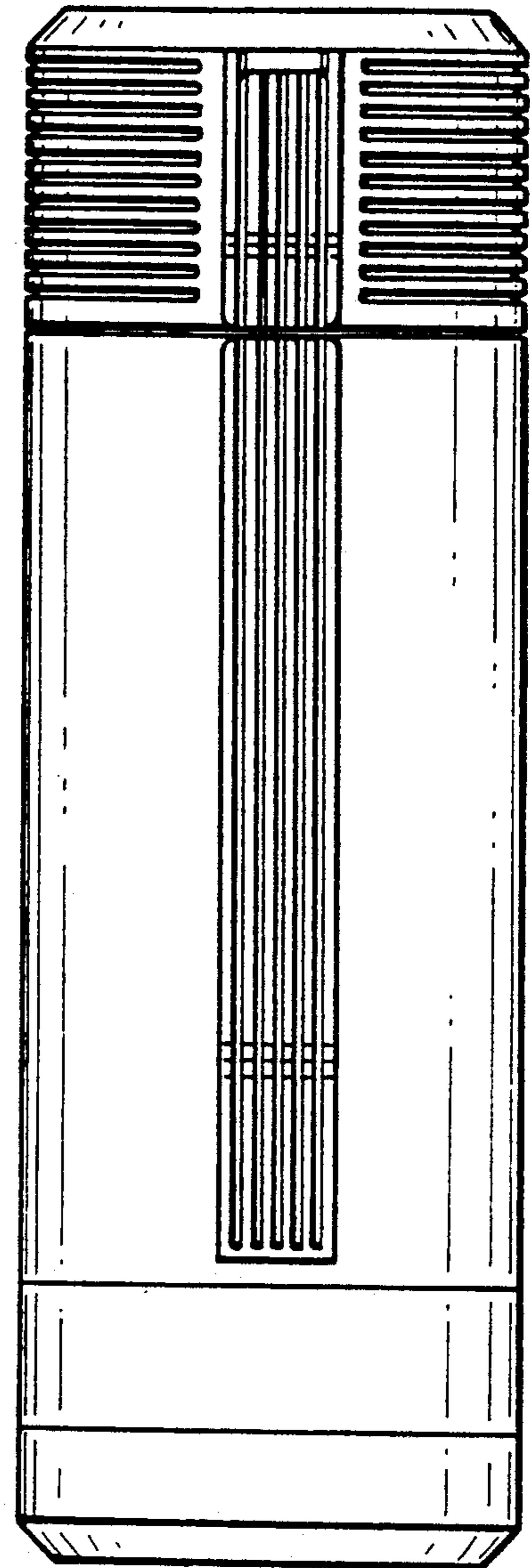


FIG. 2

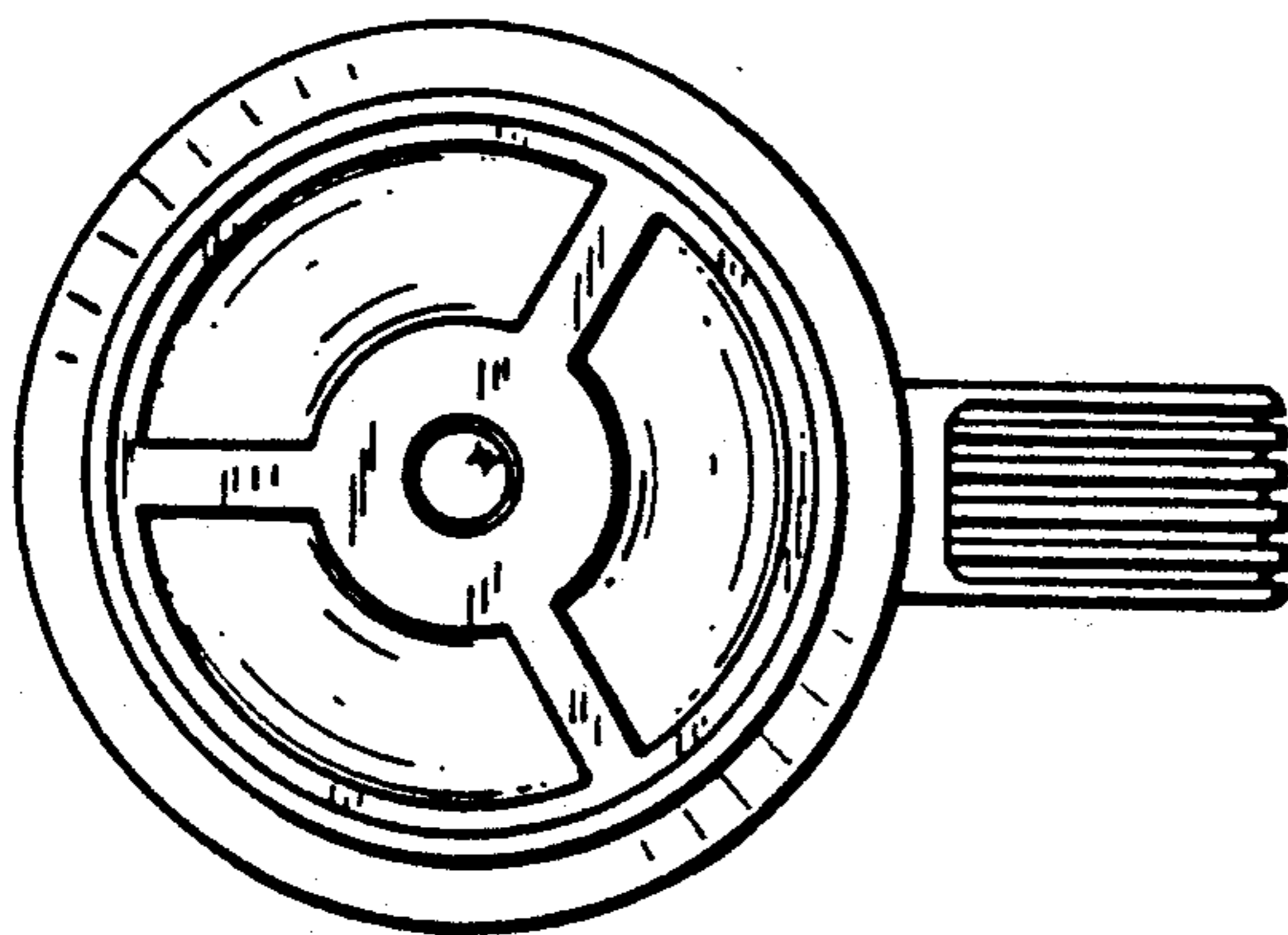


FIG. 3

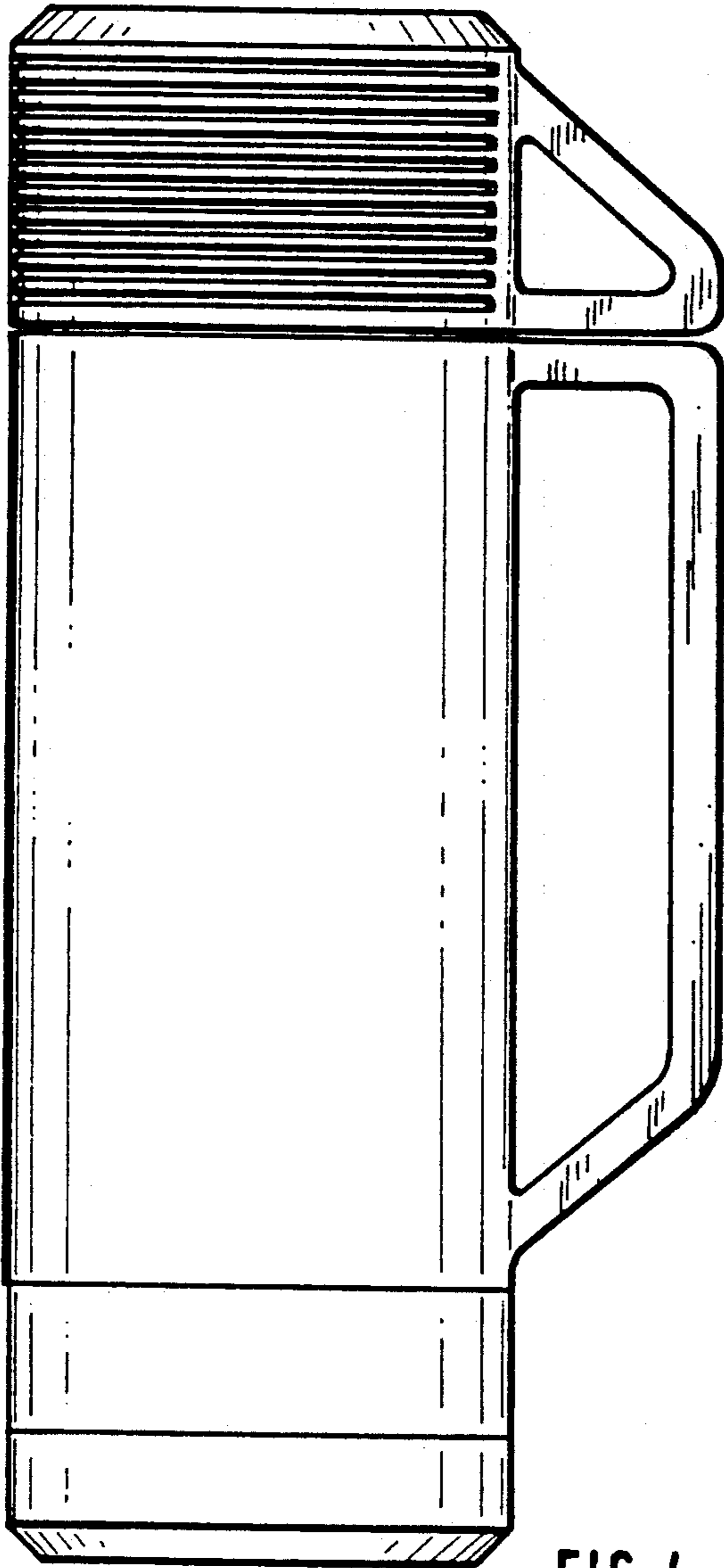


FIG. 4

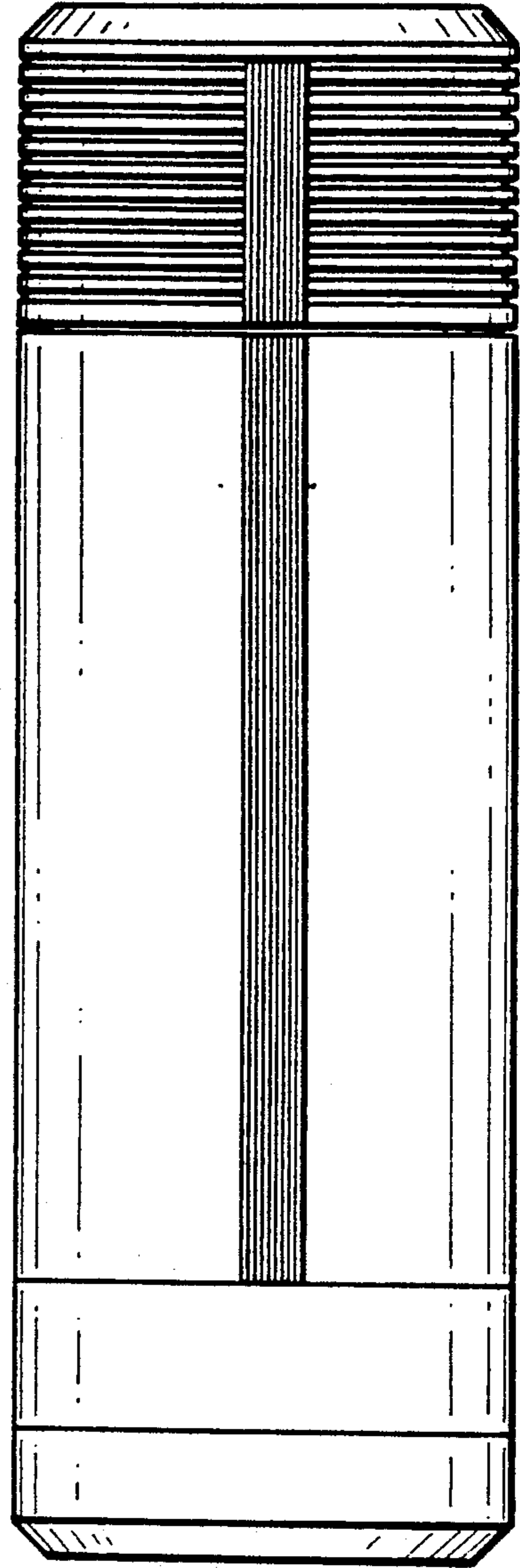


FIG. 5

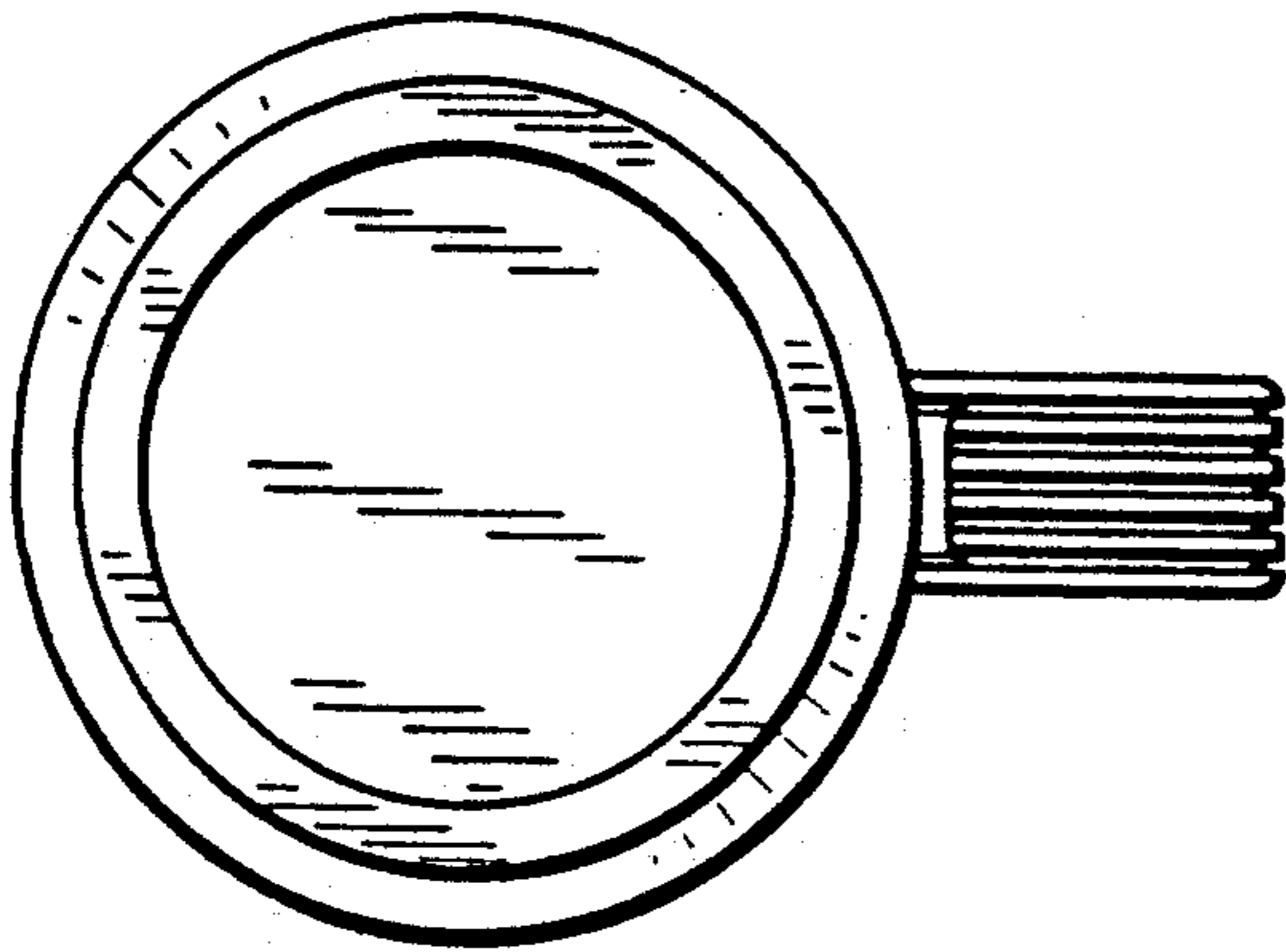


FIG. 6

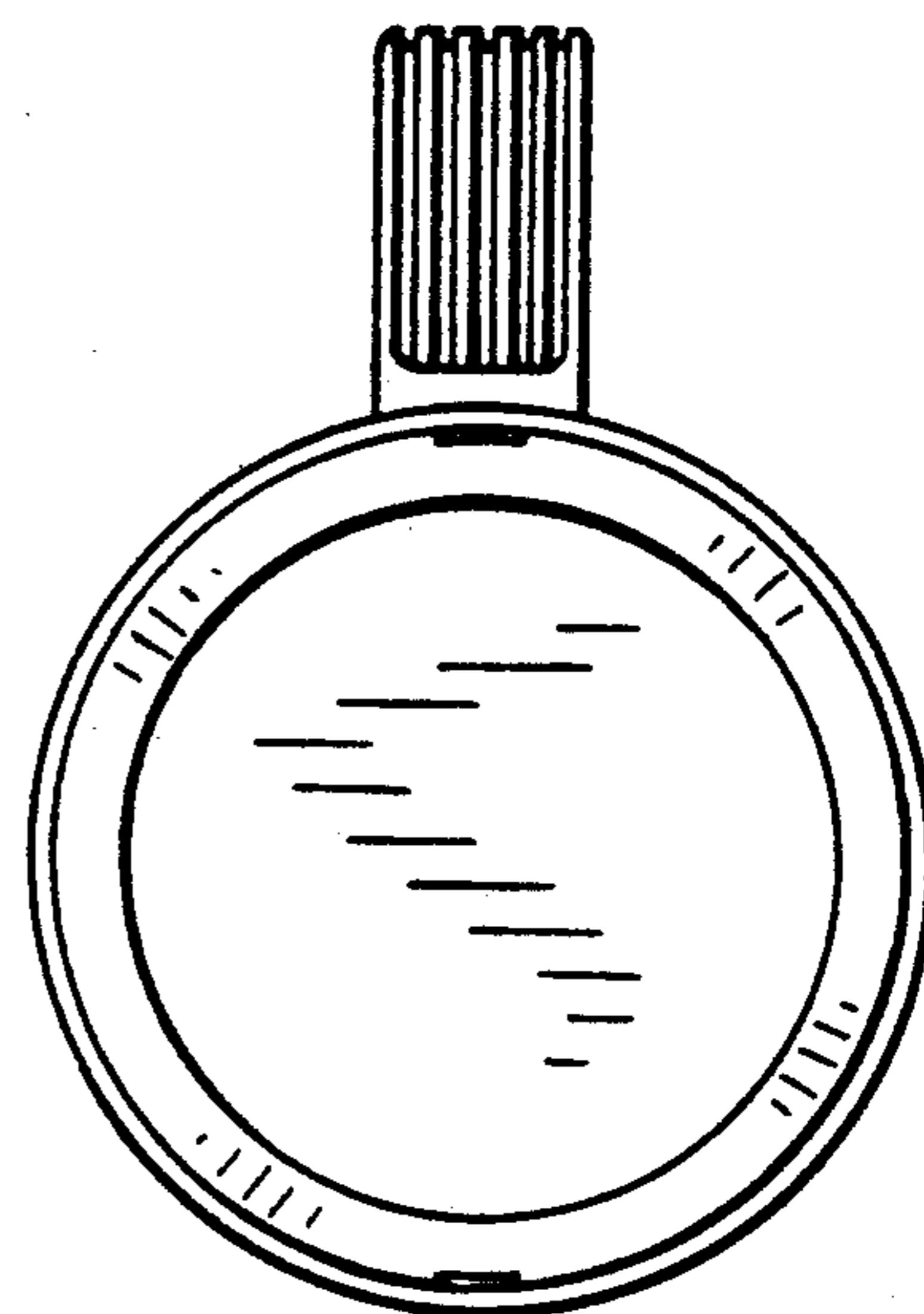
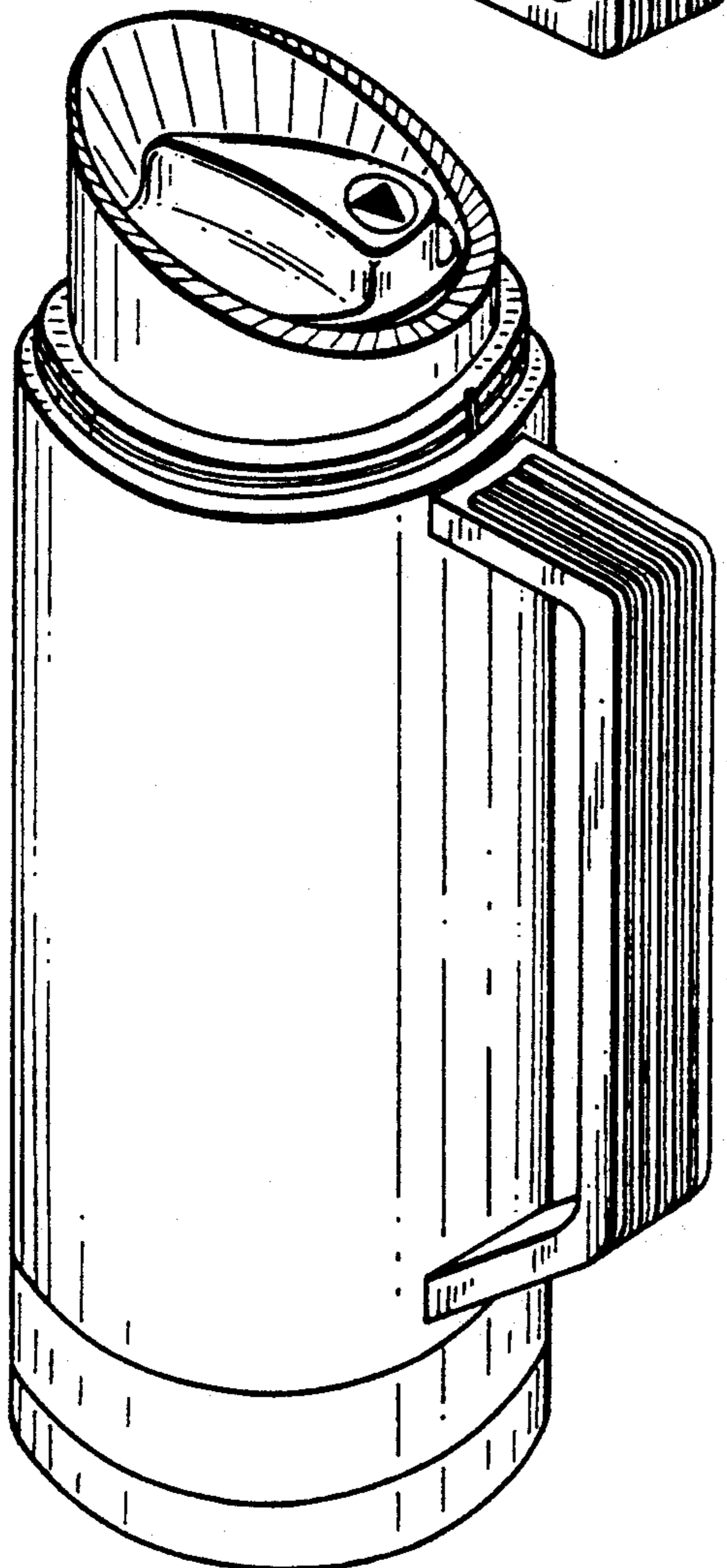
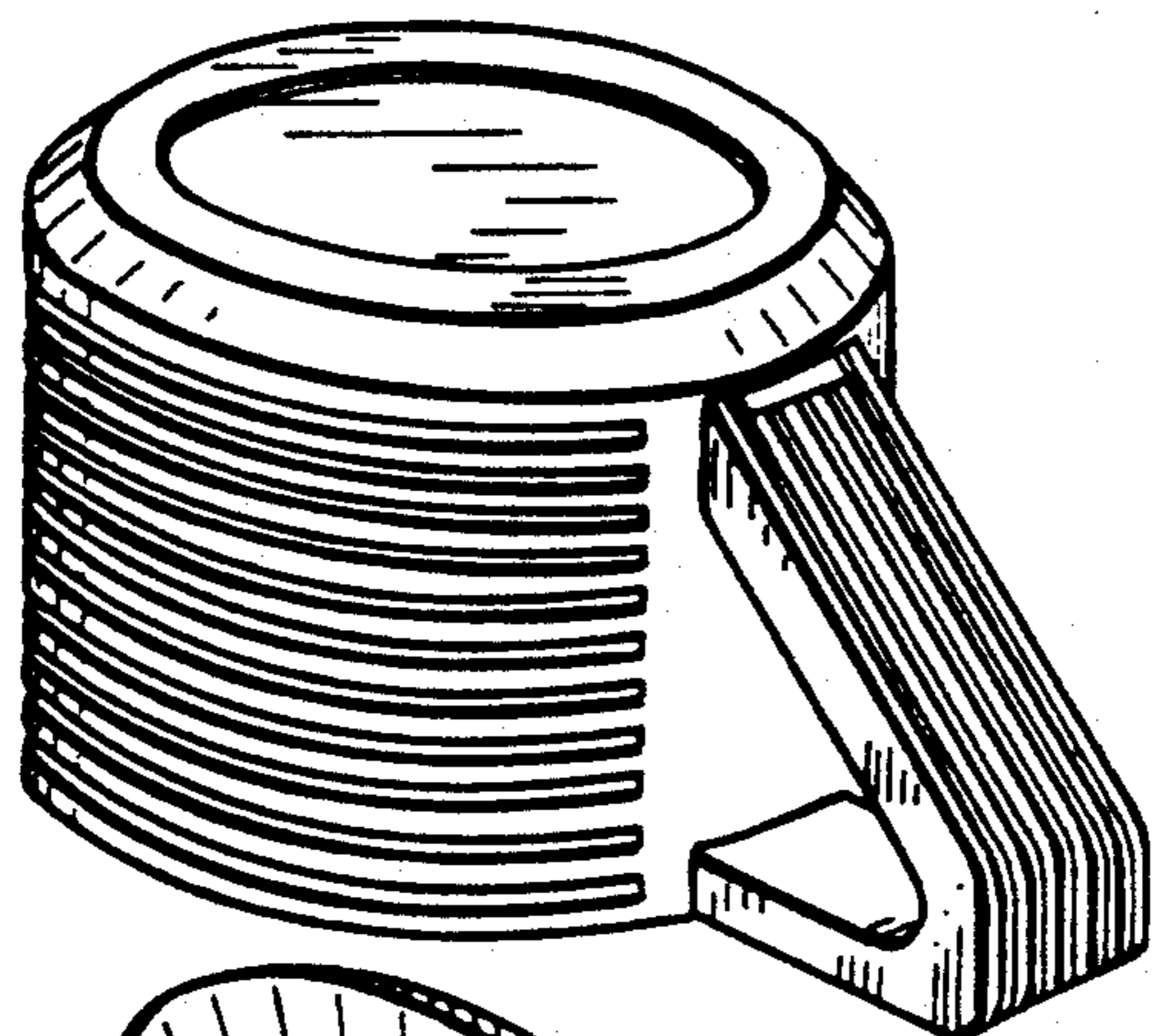


FIG. 8

FIG. 7

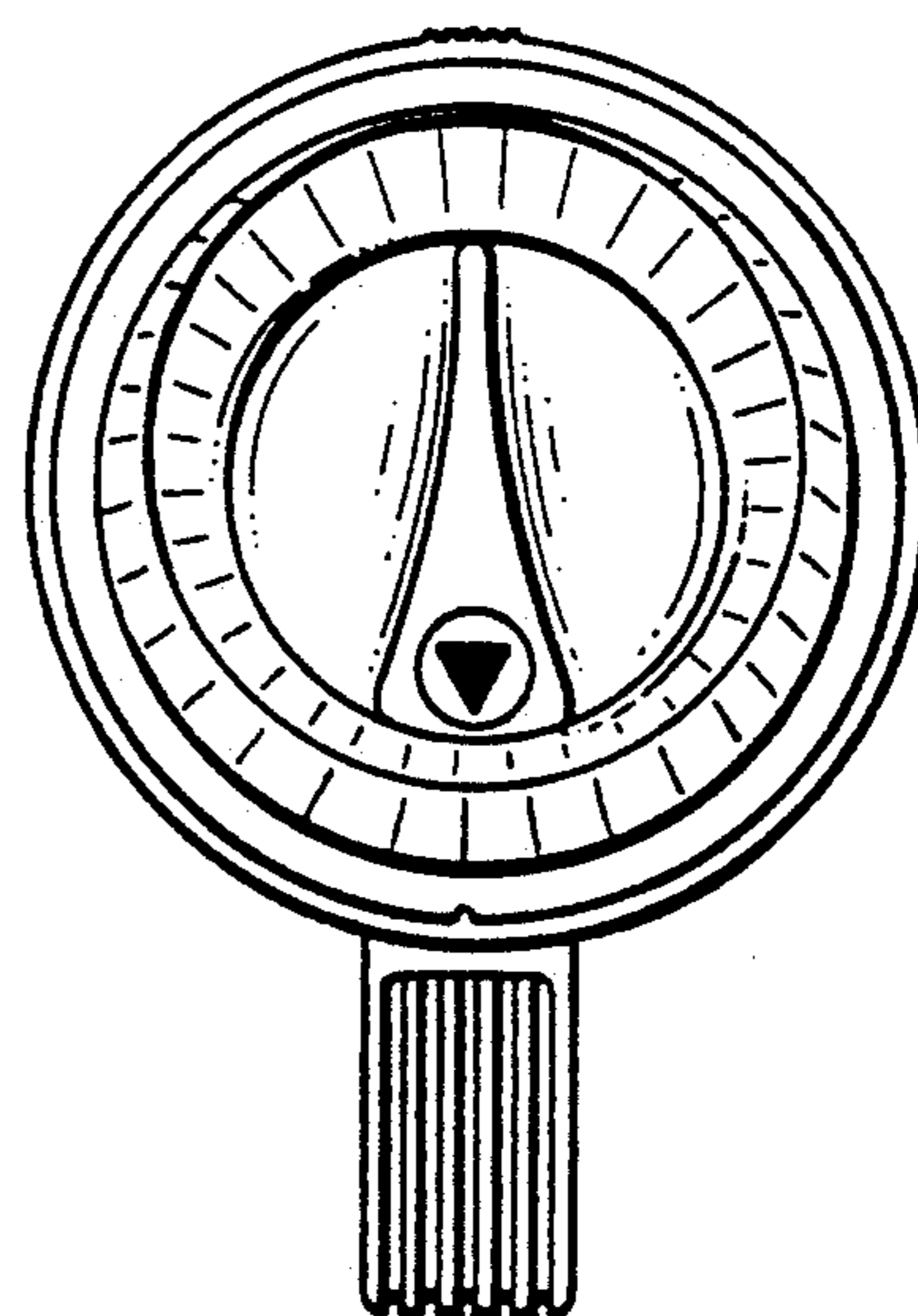


FIG. 9