



US00D323754S

# United States Patent [19]

[11] Patent Number: **Des. 323,754**

Tepper et al.

[45] Date of Patent: **\*\* Feb. 11, 1992**

[54] **POWER ACTUATOR FOR AN INFANT  
ROCKER**

[75] Inventors: **Sidney Tepper, Milburn, N.J.; Mark  
A. Sedlack, Macedonia, Ohio**

[73] Assignee: **Century Products Company,  
Macedonia, Ohio**

[\*\*] Term: **14 Years**

[21] Appl. No.: **269,935**

[22] Filed: **Nov. 9, 1988**

[52] U.S. Cl. .... **D6/491; D6/385;  
D6/390**

[58] Field of Search ..... **D6/382-385,  
D6/388-395, 503, 505-508, 333; 297/258-261;  
5/108, 109**

[56] **References Cited**

### U.S. PATENT DOCUMENTS

D. 181,868	1/1958	McDonald	.....	D6/333 X
D. 214,835	8/1969	Lockwood	.....	D6/392 X
D. 287,076	12/1986	Hart	.....	D6/388 X
D. 307,834	5/1990	Sudoh et al.	.....	D6/333

839,295	12/1906	Jones	.....	5/109
3,195,951	7/1965	Palmer	.....	297/260
3,653,080	4/1972	Hafele	.	
3,797,273	3/1974	Benoit et al.	.....	5/109 X
4,141,095	2/1979	Adachi	.....	297/260 X
4,371,206	2/1983	Johnson, Jr.	.....	5/108 X
4,656,680	4/1987	Wilson	.....	5/108

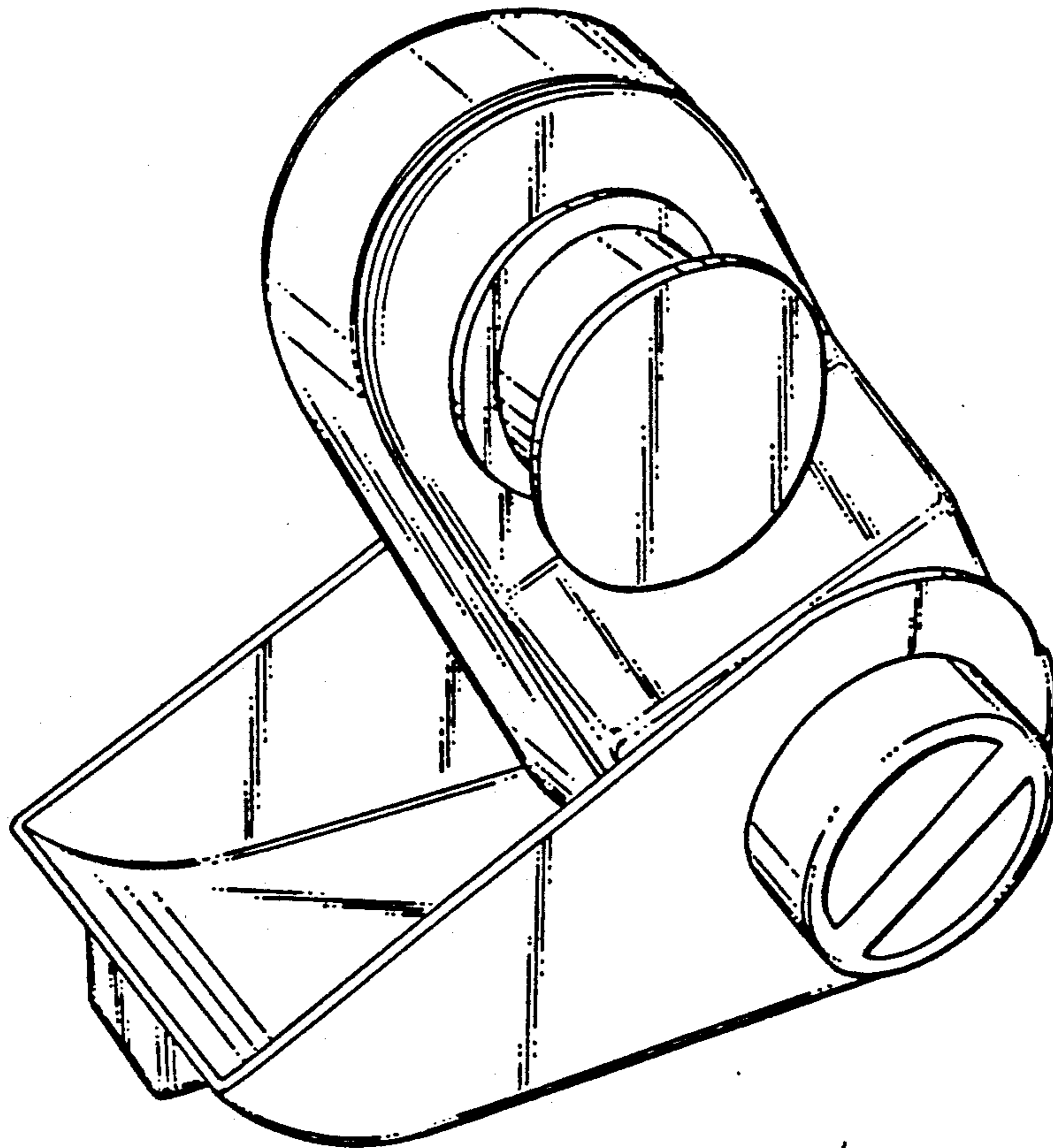
*Primary Examiner*—Bruce W. Dunkins  
*Assistant Examiner*—Janice E. Seeger  
*Attorney, Agent, or Firm*—Townsend and Townsend

### [57] CLAIM

The ornamental design for a power actuator for an infant rocker, as shown and described.

### DESCRIPTION

FIG. 1 is a perspective view of an power actuator for an infant rocker showing our new design; FIG. 2 is a top plan view; FIG. 3 is a front elevational view; FIG. 4 is a right side elevational view; FIG. 5 is a left side elevational view; FIG. 6 is a rear elevational view; and FIG. 7 is a bottom plan view thereof.



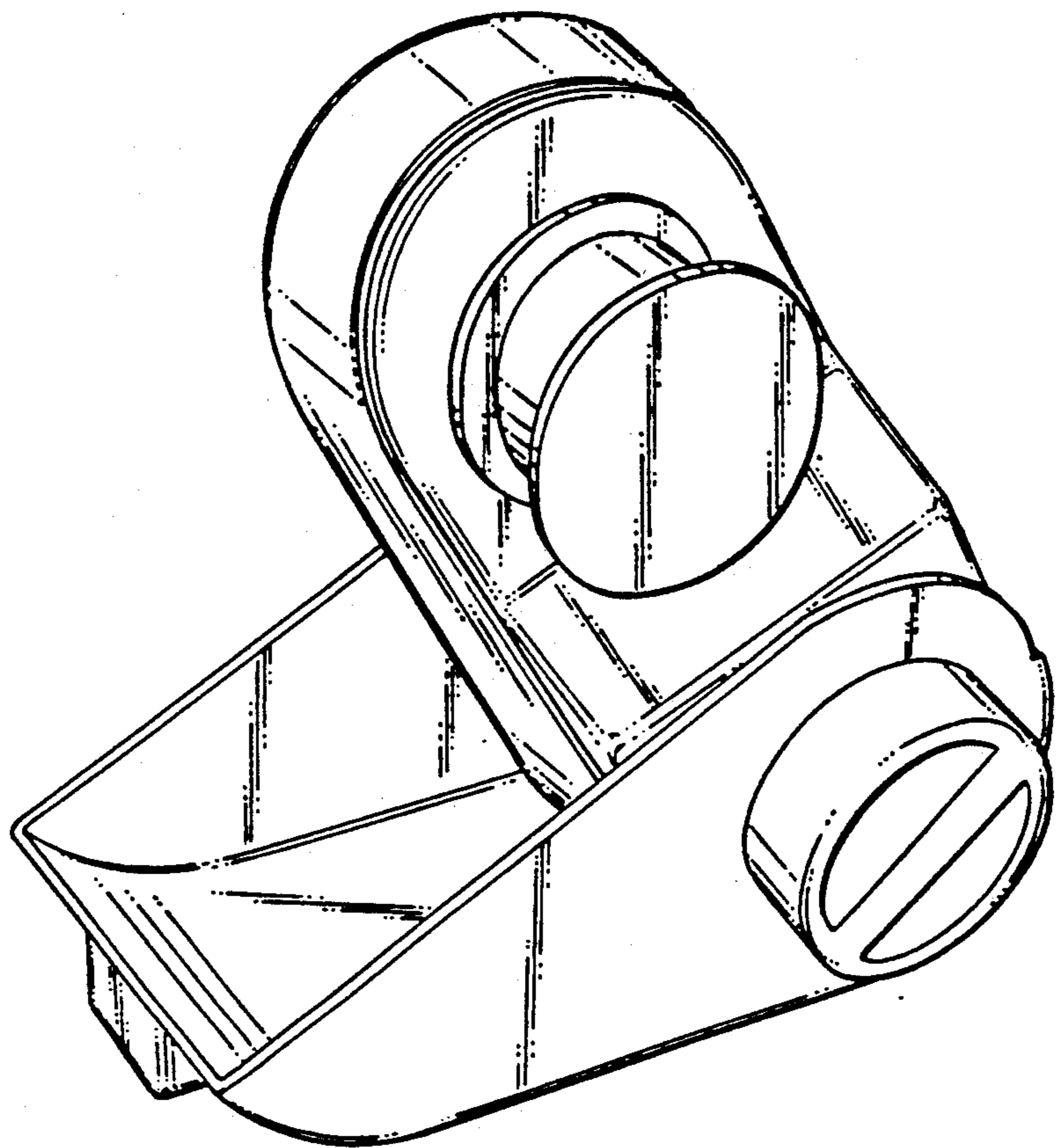


FIG. 1.

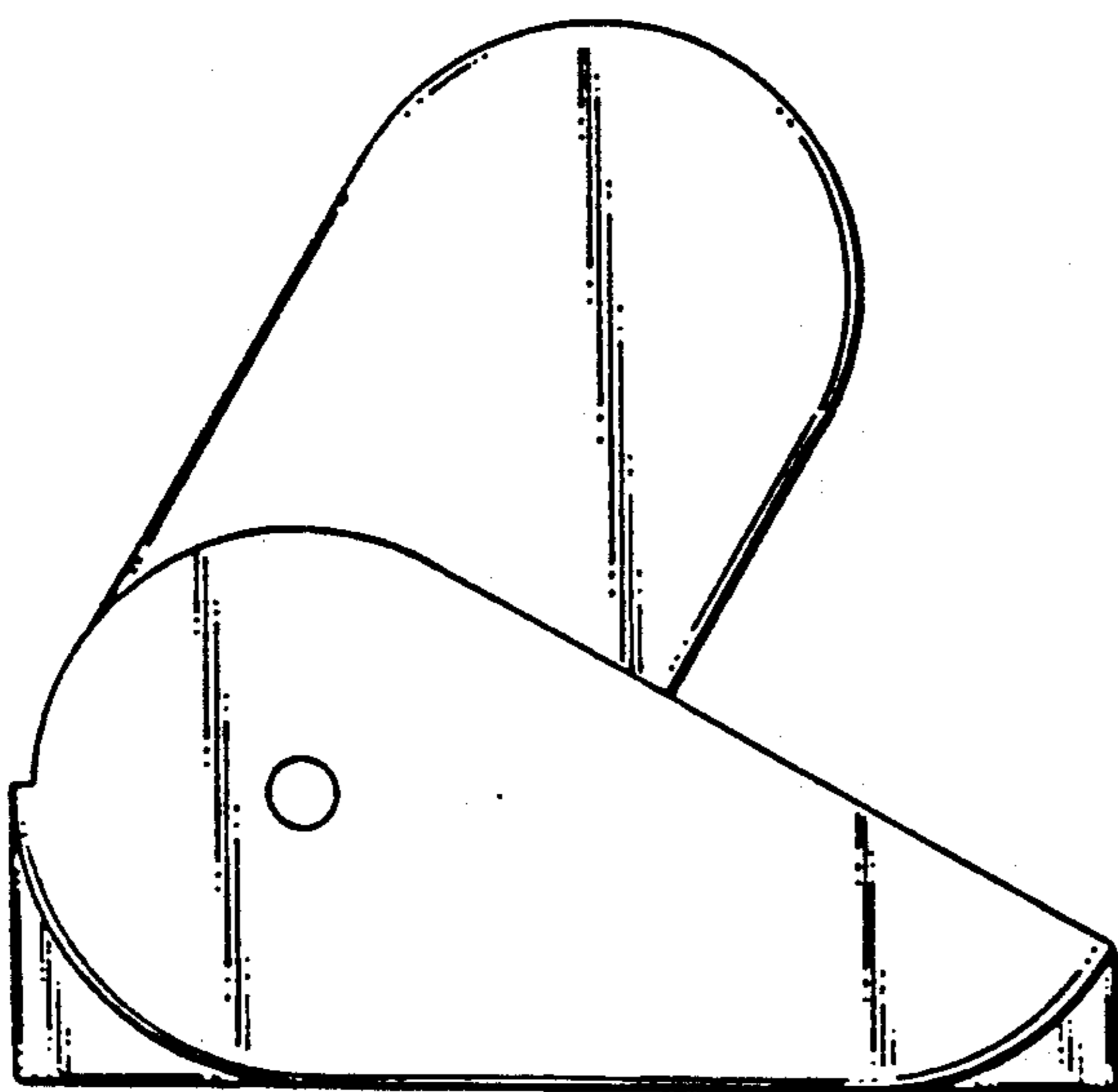


FIG. 6.

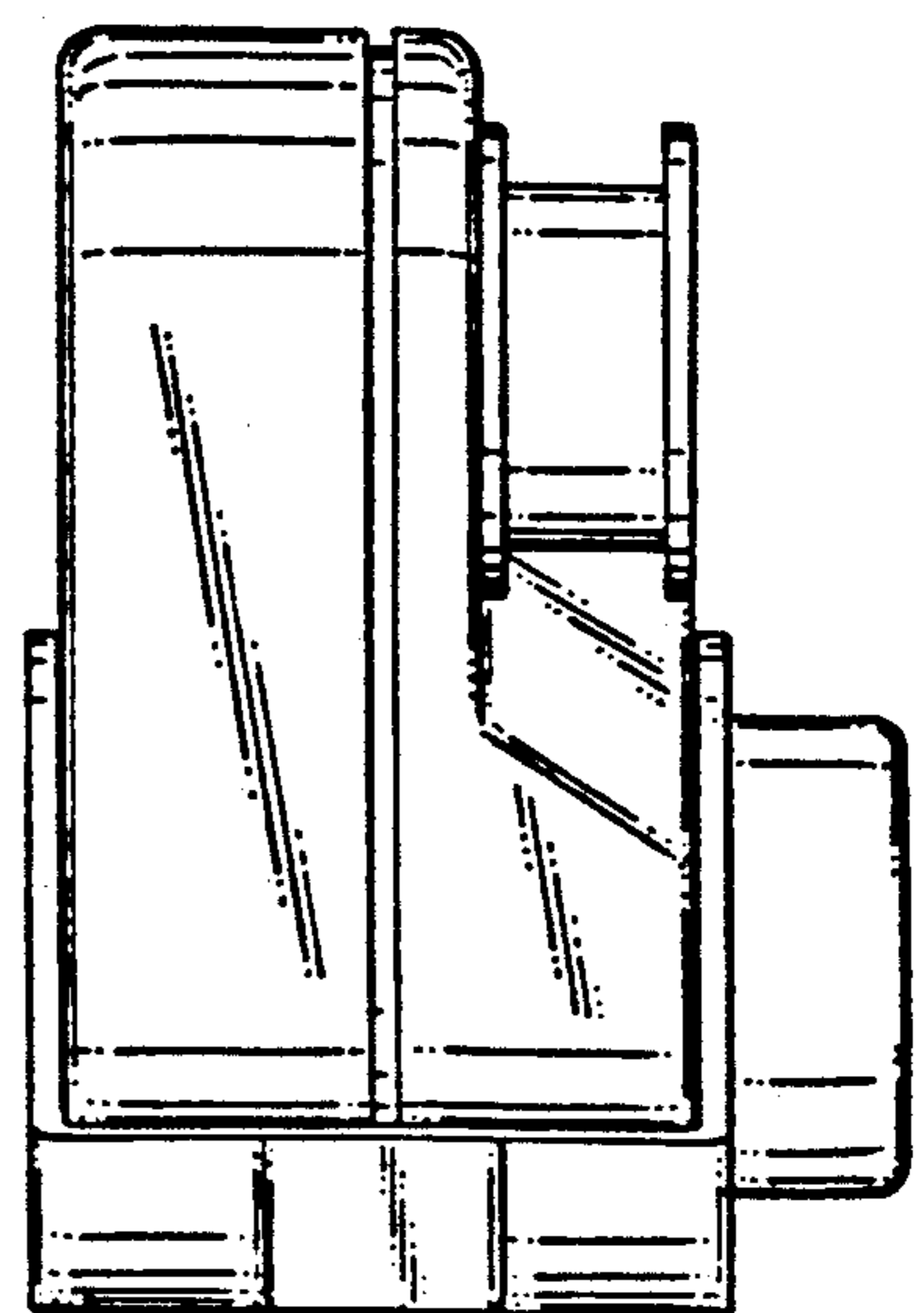


FIG. 5.

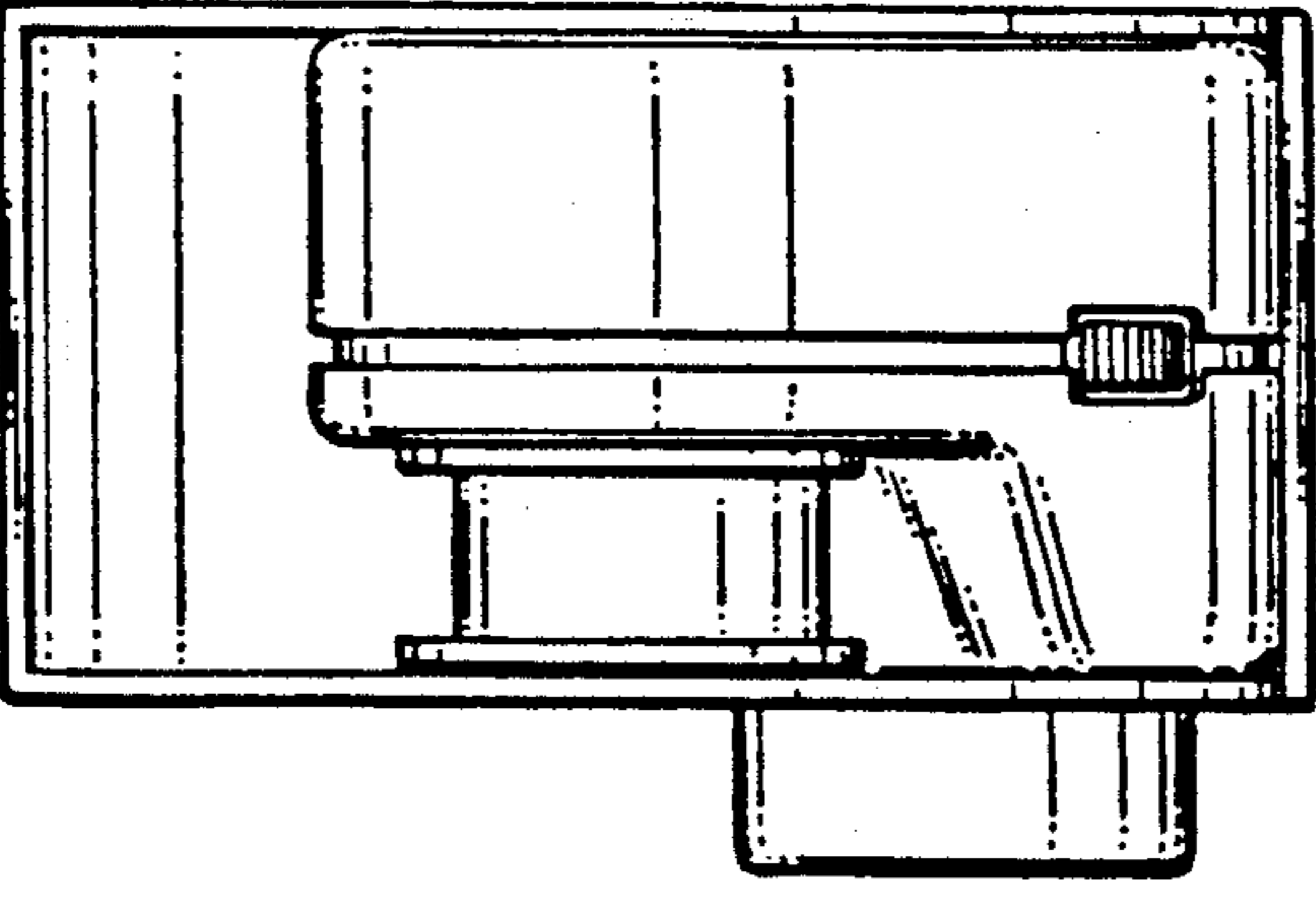


FIG. 2.

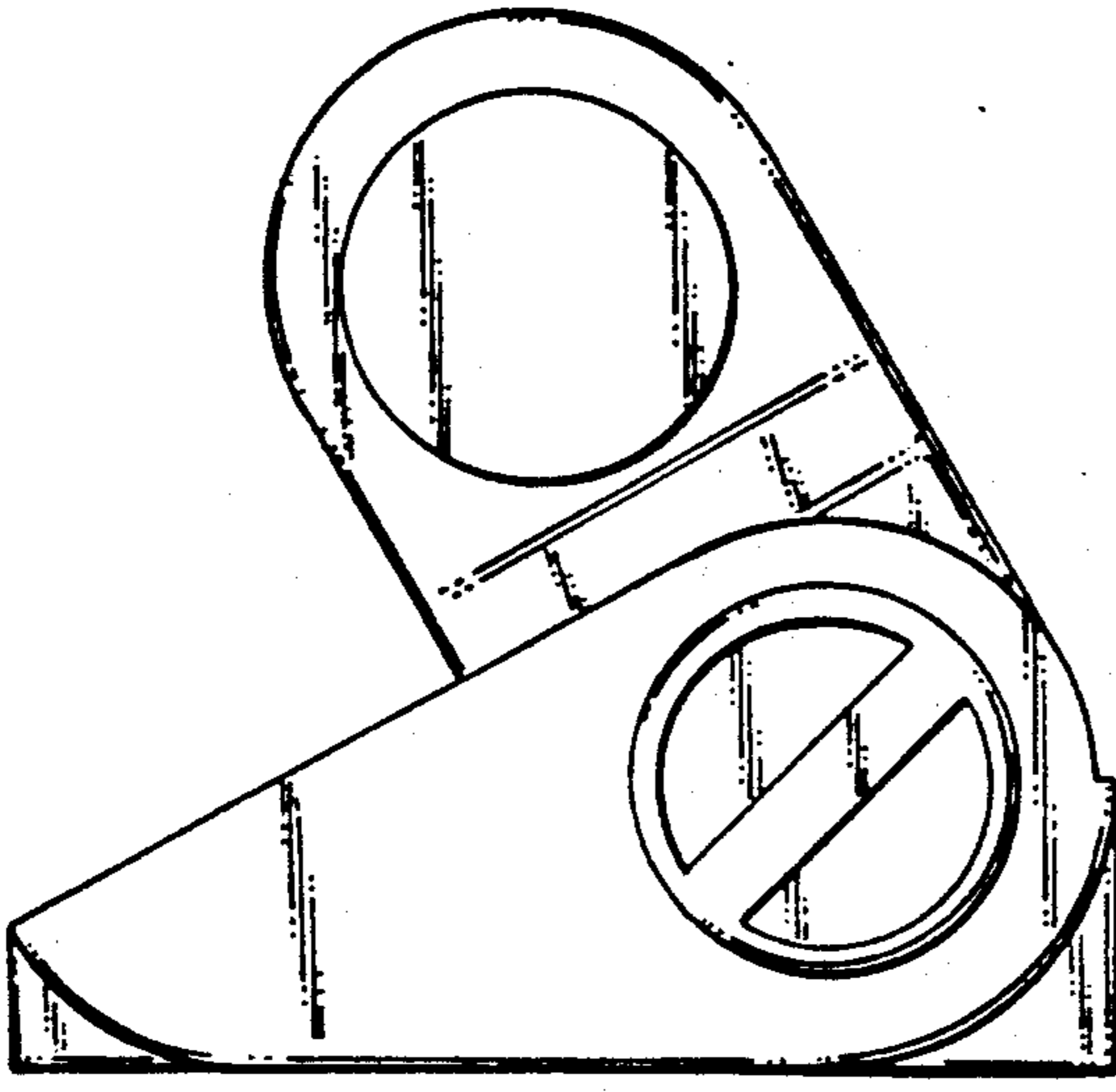


FIG. 3.

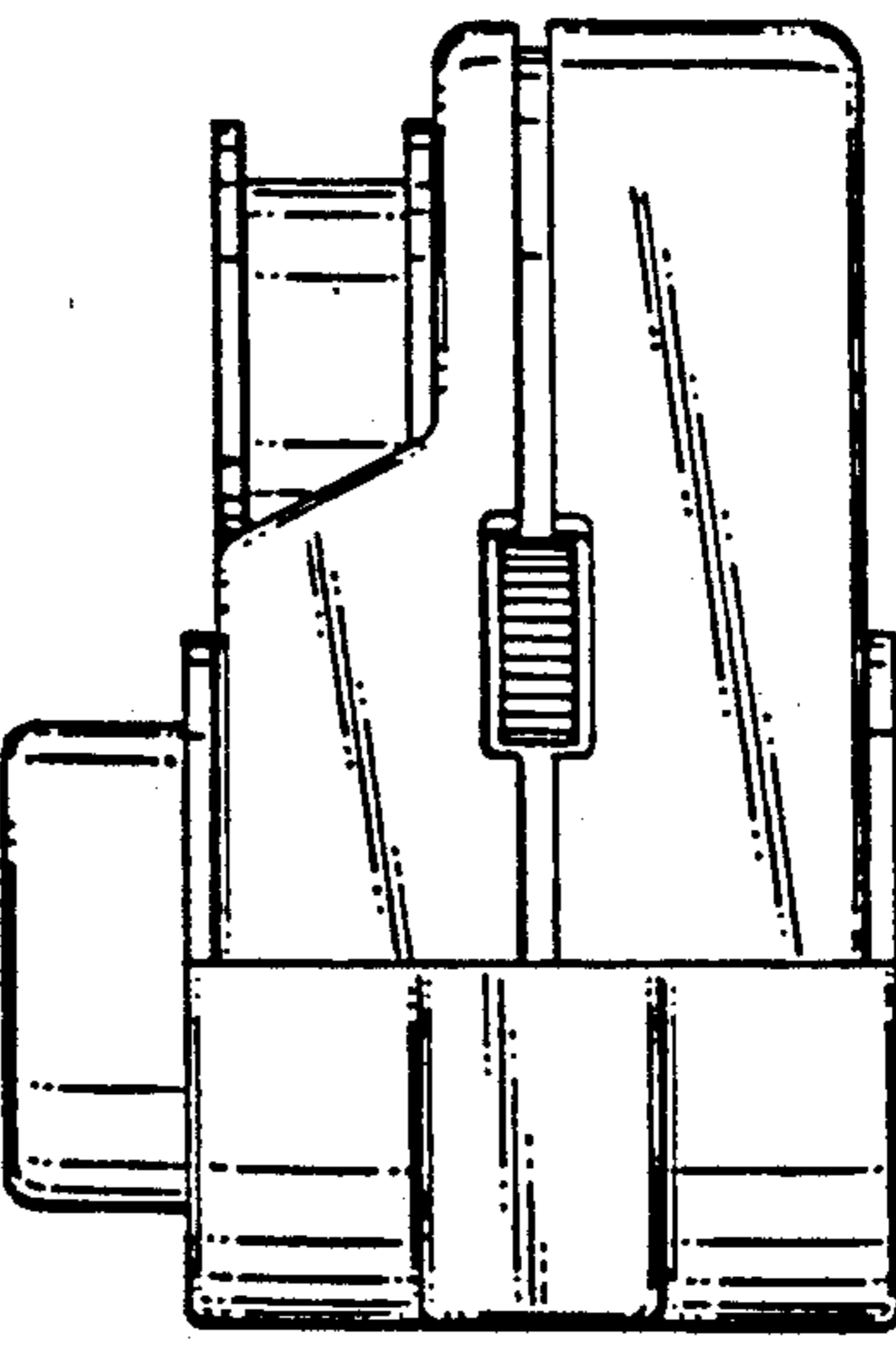


FIG. 4.

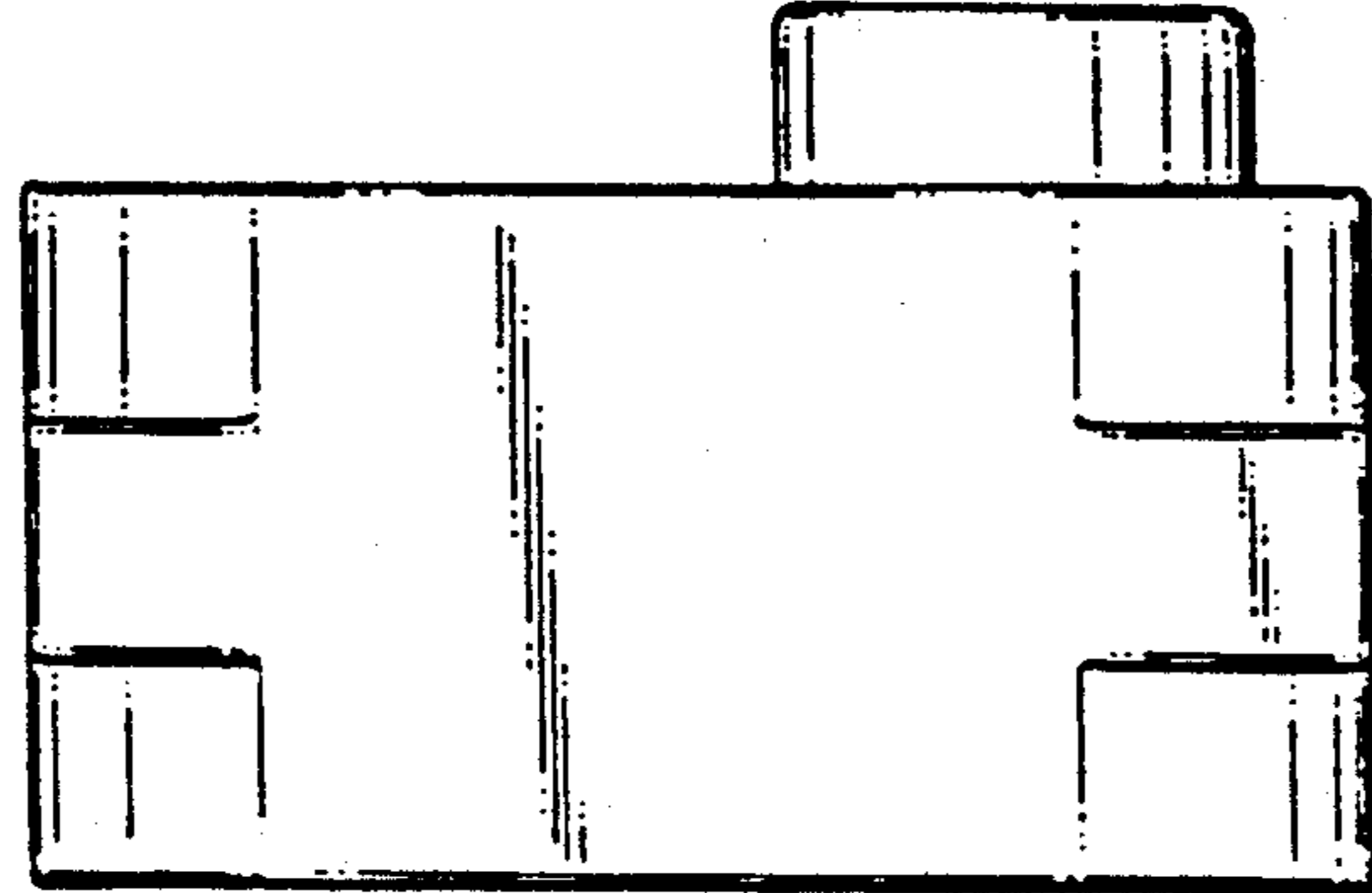


FIG. 7.