



US00D323752S

# United States Patent [19]

[11] Patent Number: **Des. 323,752**

Montagner

[45] Date of Patent: **\*\* Feb. 11, 1992**

[54] **COMBINED CLIPBOARD AND  
ADJUSTABLE SUPPORT THEREFOR**

2,144,562 1/1939 Croninger et al. .... 24/67.3  
2,881,009 4/1959 Delaney ..... D19/88 X  
4,628,572 12/1986 Chang ..... 24/67 R

[76] Inventor: **Nick Montagner, 5719 Young Rd.,  
Hudson, Ohio 44236**

*Primary Examiner*—Bruce W. Dunkins  
*Assistant Examiner*—Martha Thompson  
*Attorney, Agent, or Firm*—Renner, Kenner, Greive,  
Bobak, Taylor & Weber

[\*\*] Term: **14 Years**

[21] Appl. No.: **451,537**

[57] **CLAIM**

[22] Filed: **Dec. 18, 1989**

The ornamental design for a combined clipboard and adjustable support therefor, as shown and described.

[52] U.S. Cl. .... **D6/420; D6/418;  
D6/419; D19/88**

**DESCRIPTION**

[58] Field of Search ..... D3/35; D19/65, 75, 86,  
D19/88, 90, 91; D6/411, 417, 418-420, 486,  
487, 410, 429, 430; 24/67 R, 67.3; 248/441.1,  
442.2, 447.2, 451, 346, 460, 454; 40/371-379

FIG. 1 is a top, left front perspective view of a combined clipboard and adjustable support therefor showing my new design;

[56] **References Cited**

**U.S. PATENT DOCUMENTS**

D. 258,023 1/1981 Ackeret ..... D3/35  
D. 258,025 1/1981 Ackeret ..... D3/35  
D. 274,102 6/1984 You ..... D6/419  
D. 288,099 2/1987 Abitz ..... D6/419 X  
D. 314,873 2/1991 Wenger et al. .... D6/419  
1,902,549 3/1933 Flanagan ..... D6/419 X

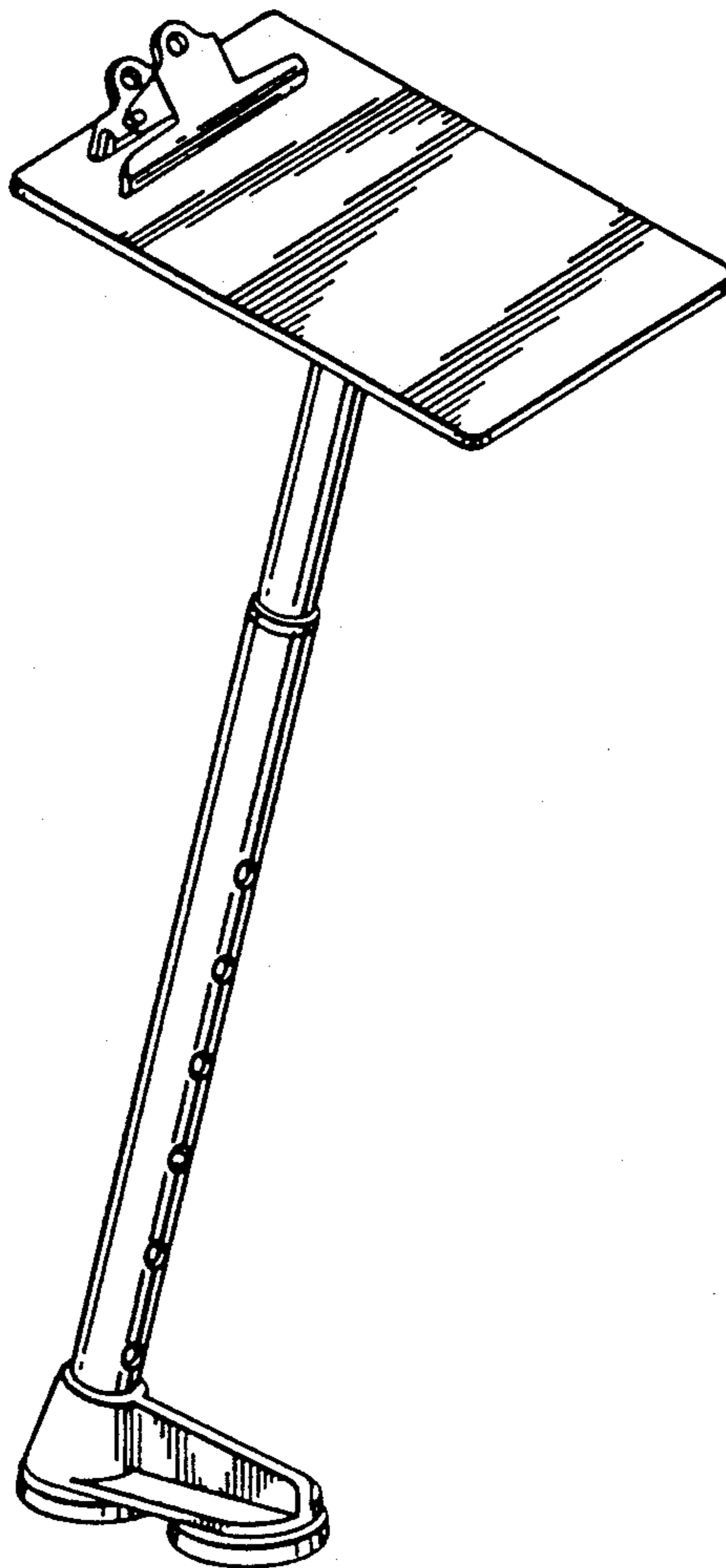
FIG. 2 is a front elevational view drawn to an enlarged scale;

FIG. 3 is a rear elevational view of FIG. 2;

FIG. 4 is a top plan view of FIG. 2;

FIG. 5 is a bottom plan view of FIG. 2, with the clipboard member removed for convenience of illustration; and

FIG. 6 is a left side elevational view of FIG. 2, the right side being a mirror image thereof.



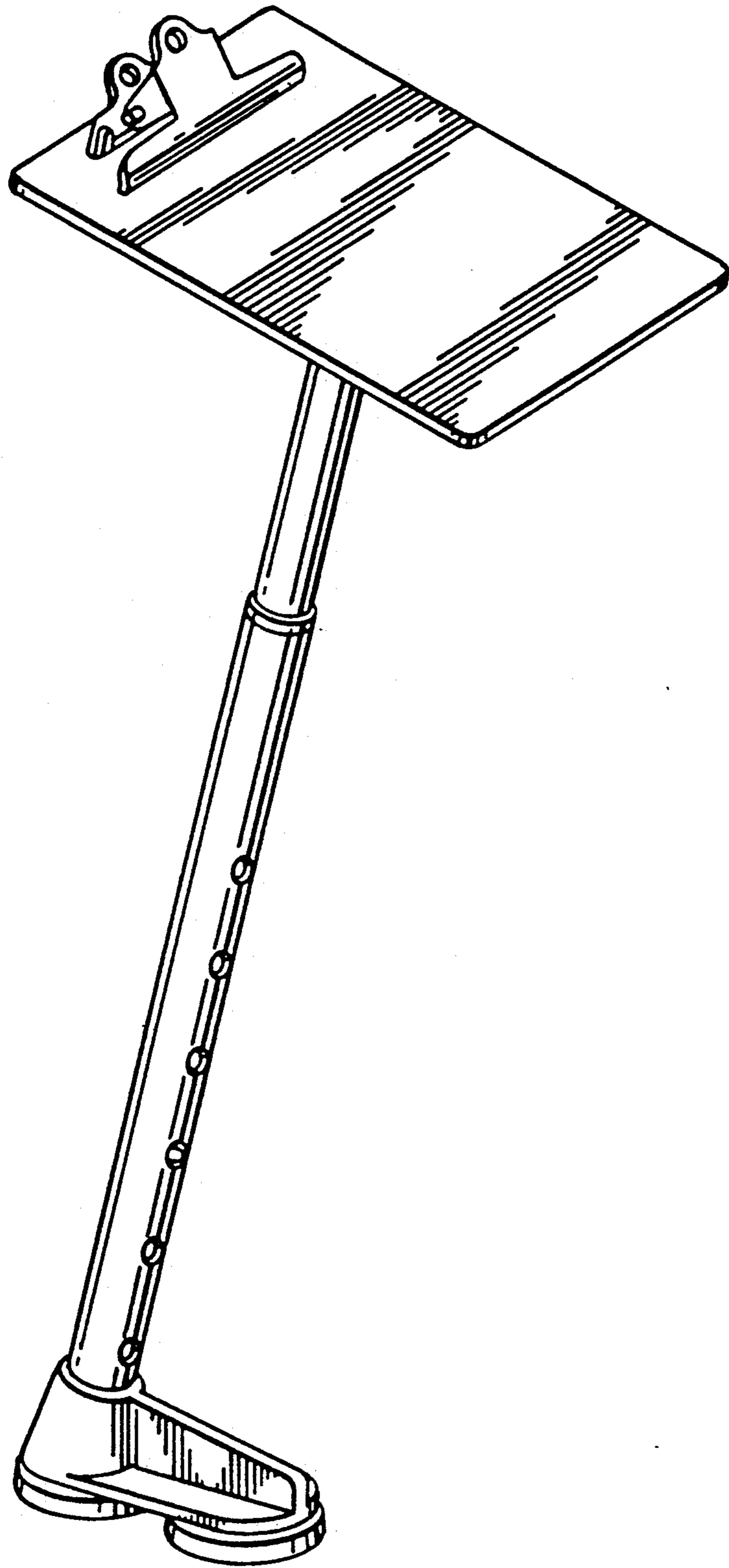


FIG. 1

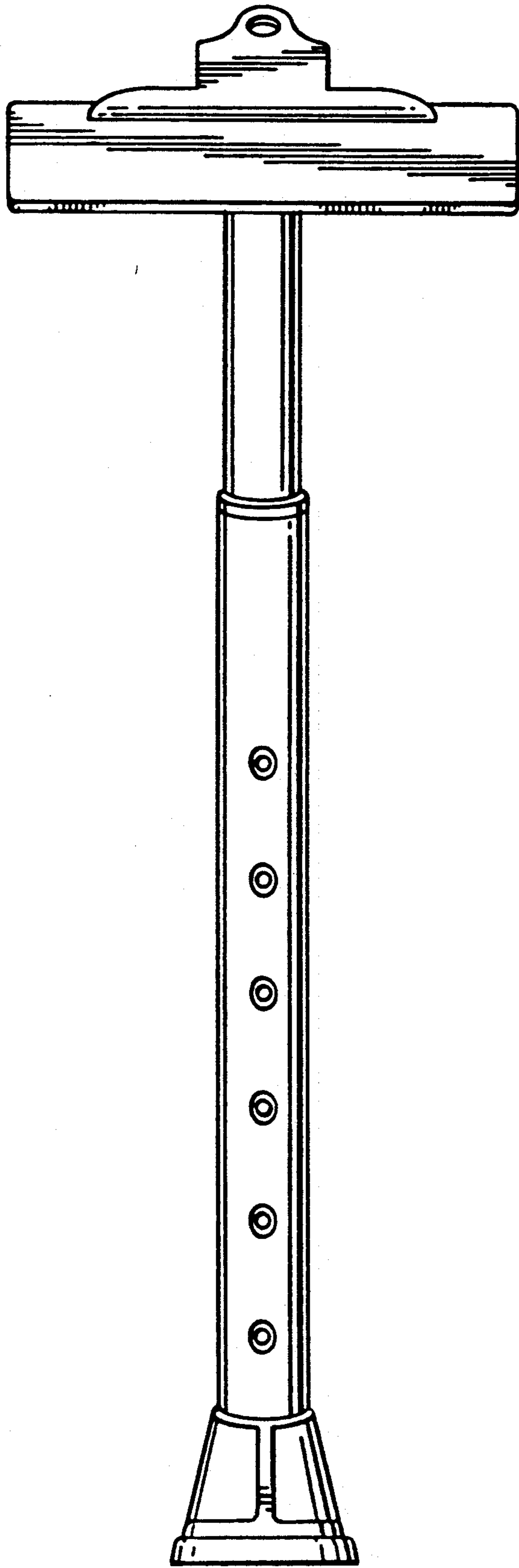


FIG. 2

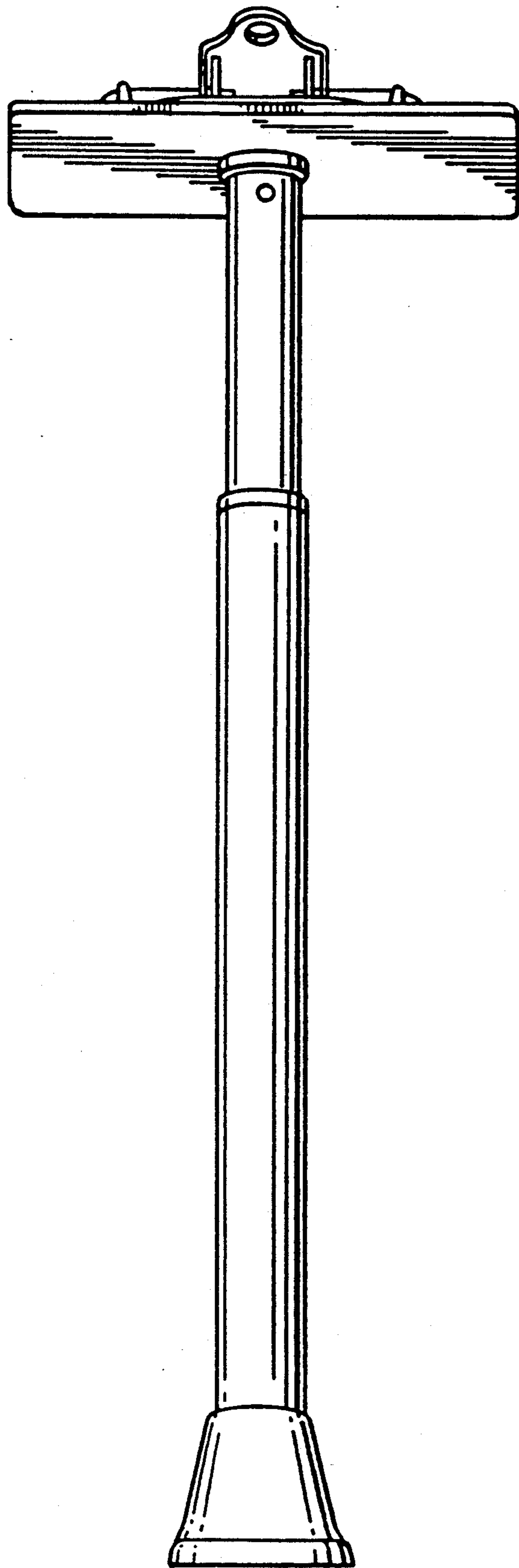
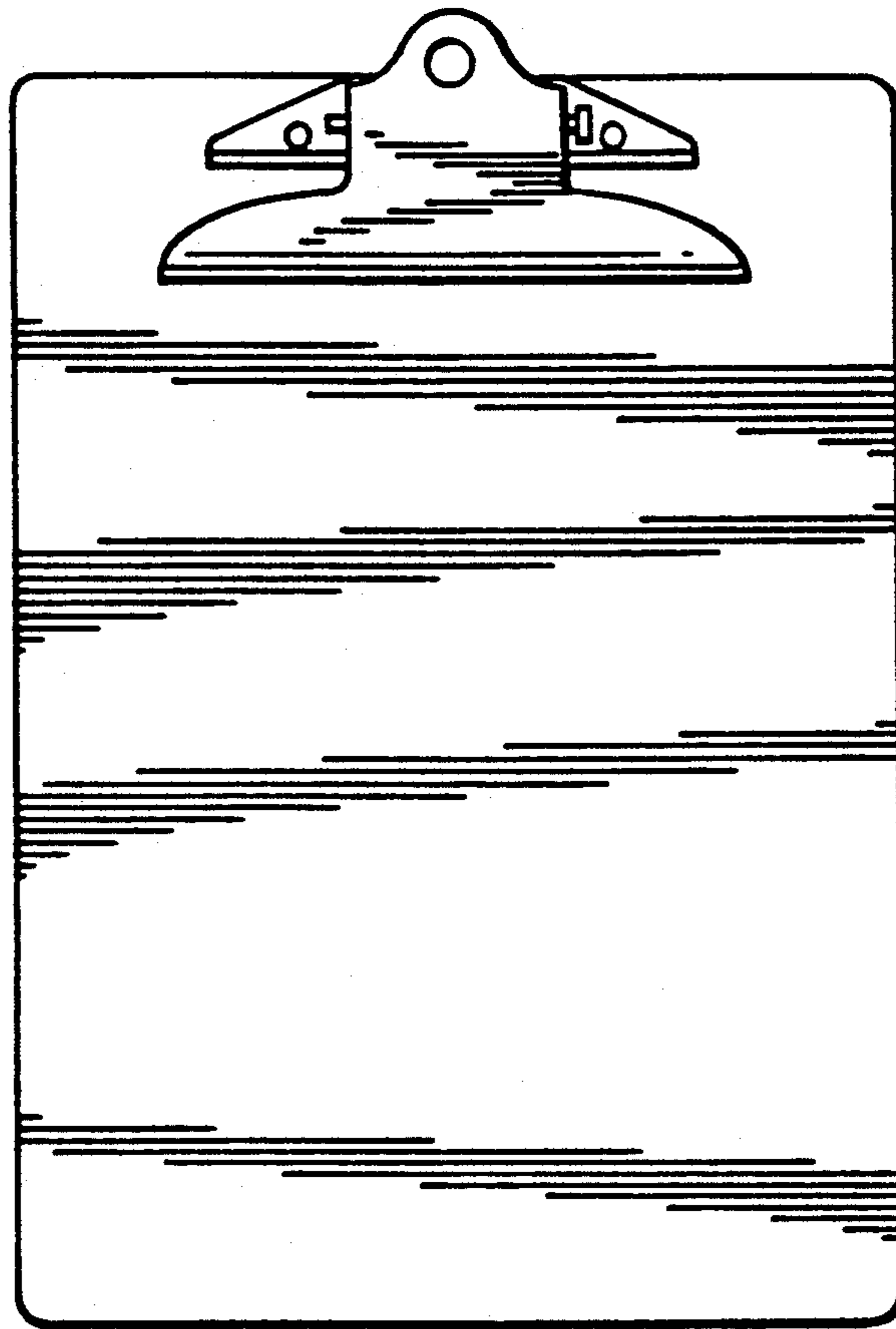
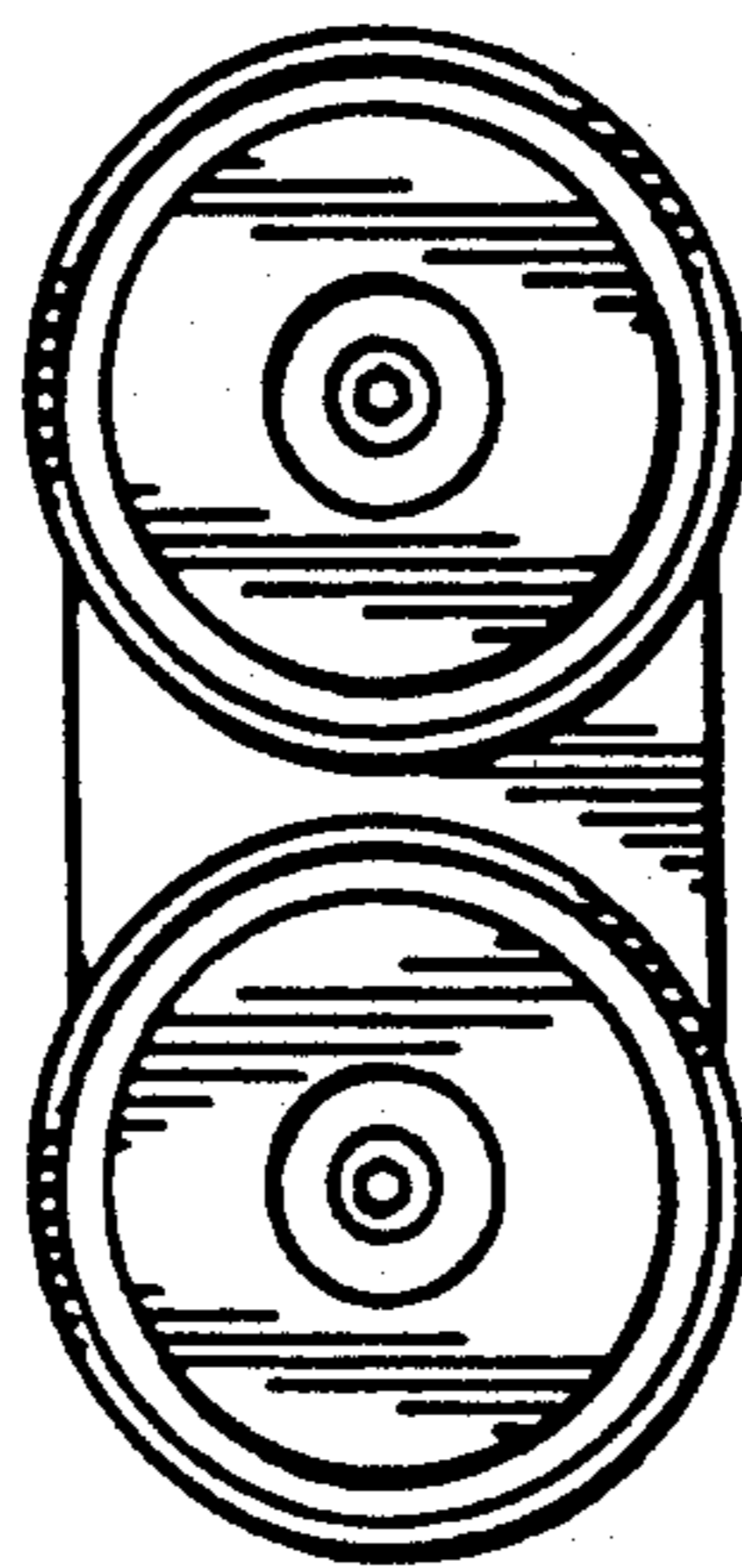


FIG. 3



**FIG. 4**



**FIG. 5**

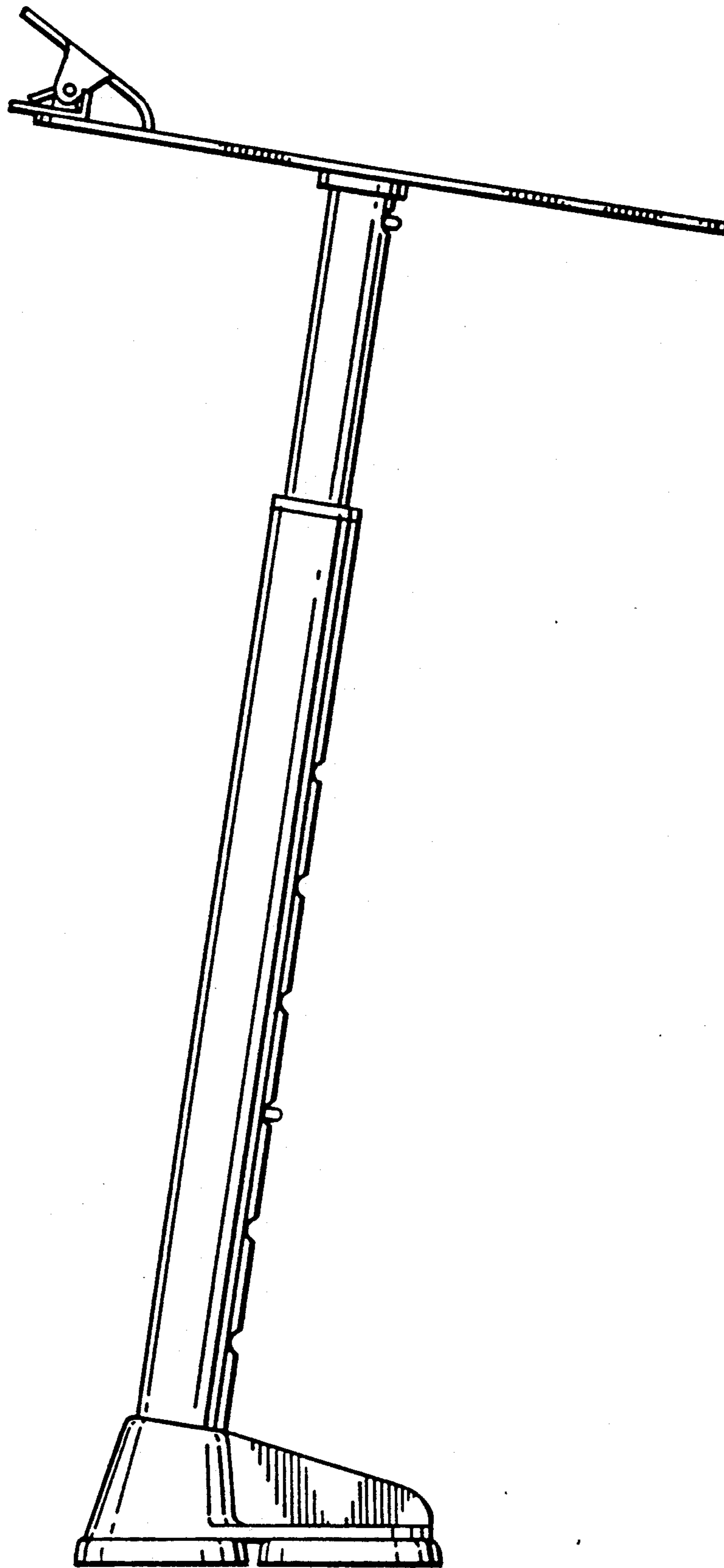


FIG. 6