



US00D323747S

United States Patent [19]

[11] Patent Number: **Des. 323,747**

Lewis

[45] Date of Patent: **** Feb. 11, 1992**

[54] MIRROR

OTHER PUBLICATIONS

[76] Inventor: **Sally S. Lewis**, 8950 St. Ives Dr., Los Angeles, Calif. 90069

Schwartz Glass & Mirror Co. 1/1951.
Willow & Reed Catalog, 9/1970, p. 44 (Model 793).

[**] Term: **14 Years**

Primary Examiner—Bernard Ansher
Assistant Examiner—Adir Aronovich
Attorney, Agent, or Firm—Charles H. Schwartz;
Ellsworth R. Roston

[21] Appl. No.: **456,296**

[57] CLAIM

[22] Filed: **Dec. 26, 1989**

The ornamental design for a mirror, as shown and described.

[52] U.S. Cl. **D6/300**

[58] Field of Search **D6/300-314;**
D28/64.1-64.7; 40/152, 152.1

DESCRIPTION

[56] References Cited

U.S. PATENT DOCUMENTS

D. 133,572 8/1942 Chilcote D6/300
D. 168,325 12/1952 Abrams D6/300
3,284,113 11/1966 Howell 40/152

FIG. 1 is a front elevational view of a mirror showing my new design;
FIG. 2 is a side elevational view, the other side being a mirror image thereof;
FIG. 3 is a top plan view, the bottom plan view being a mirror image thereof; and
FIG. 4 is an enlarged cross-section of the mirror frame taken on line 4—4 of FIG. 1.

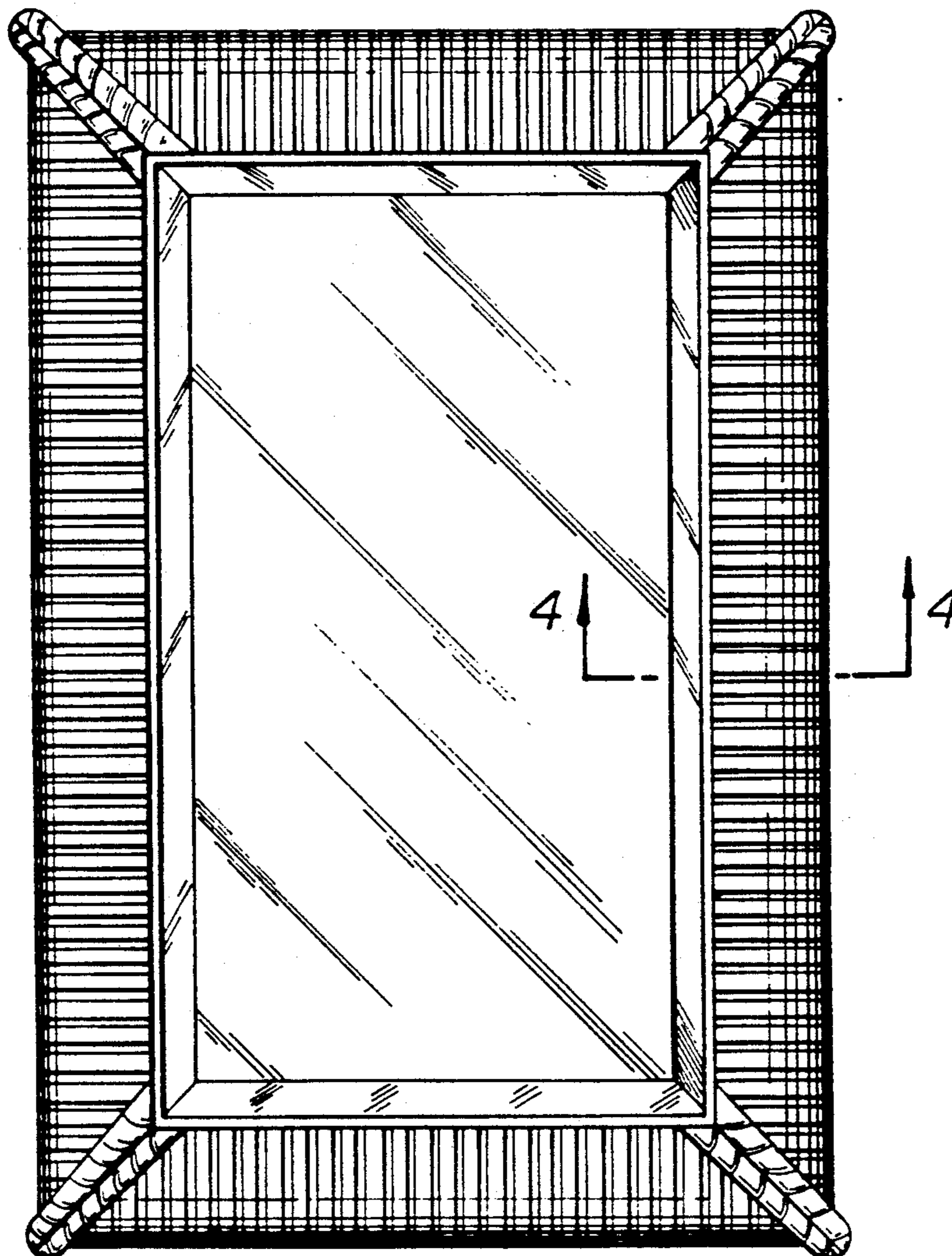


FIG. 1

FIG. 2

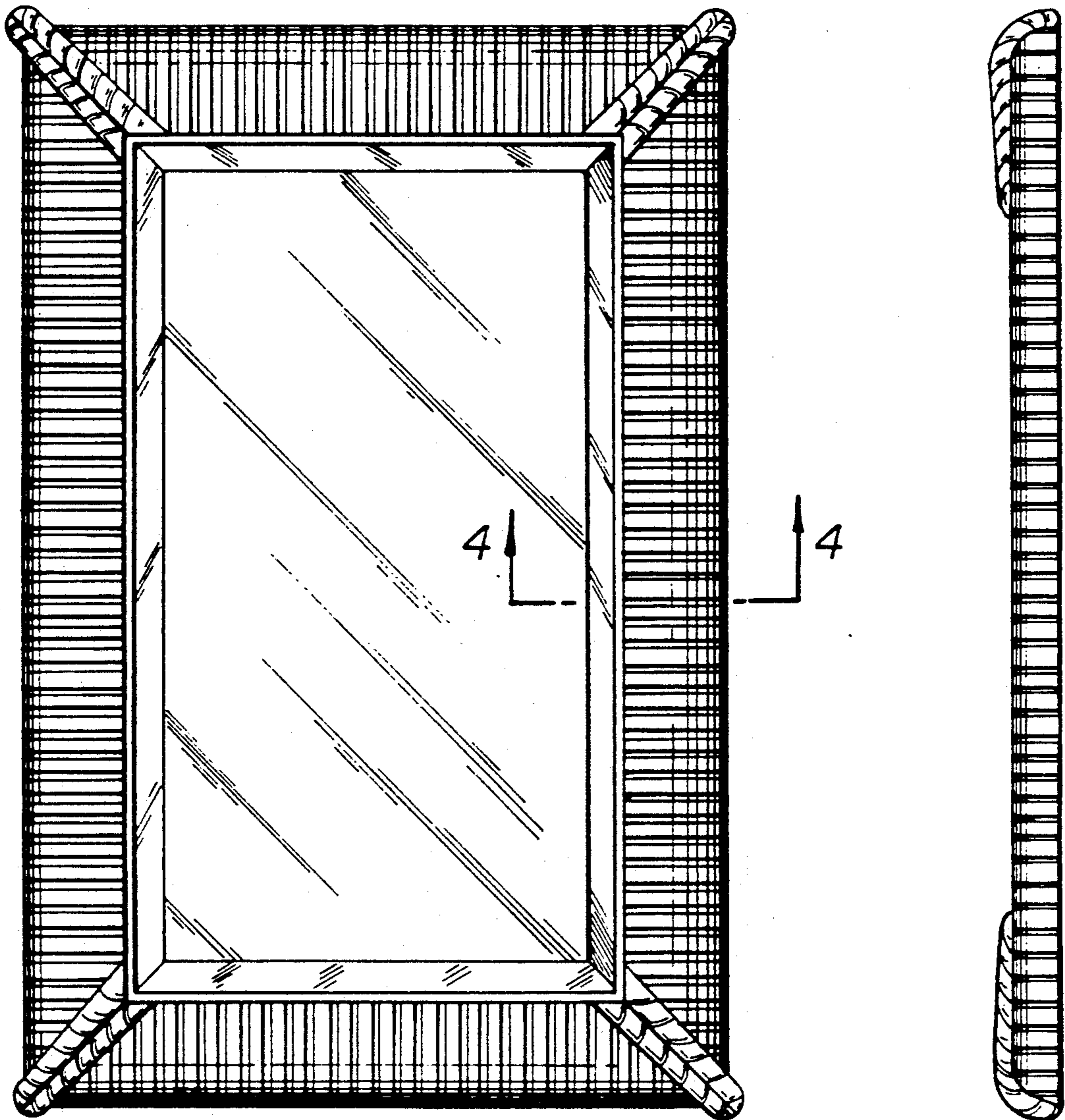


FIG. 3

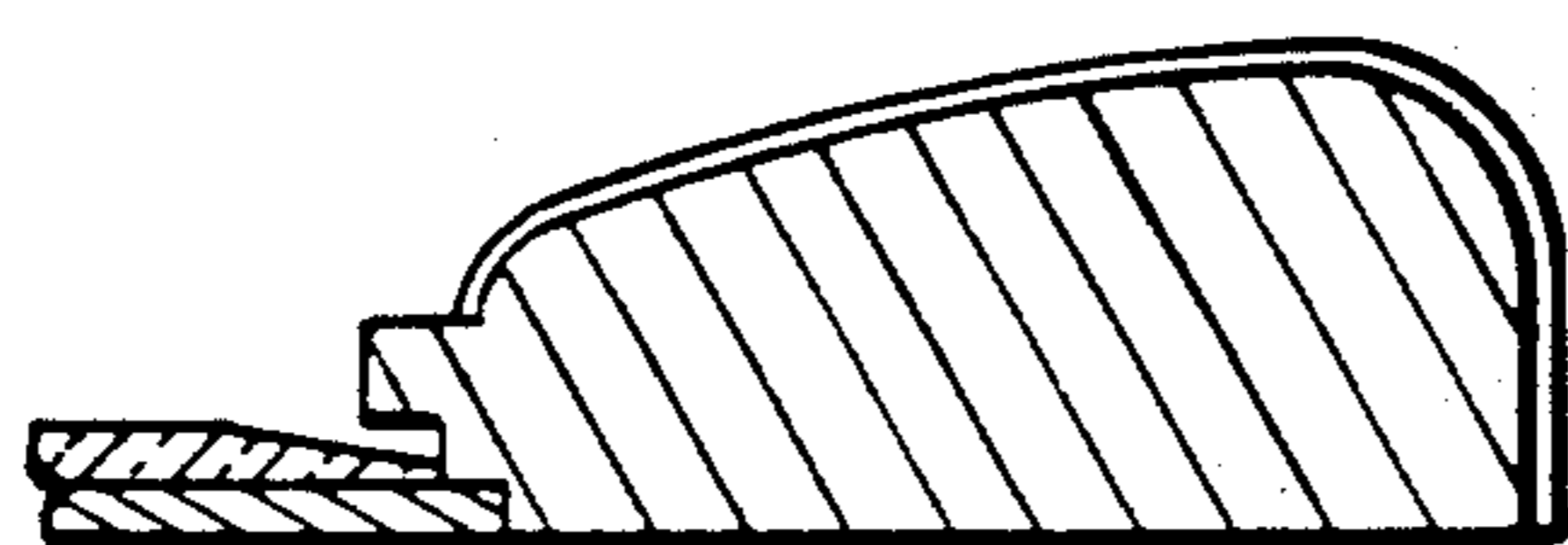


FIG. 4