



US00D323736S

United States Patent [19]
Worthington

[11] **Patent Number: Des. 323,736**

[45] **Date of Patent: ** Feb. 11, 1992**

[54] **SHOE UPPER**

[75] **Inventor: William J. Worthington, Portland, Oreg.**

[73] **Assignees: Nike, Inc.; Nike International Ltd., both of Beaverton, Oreg.**

[**] **Term: 14 Years**

[21] **Appl. No.: 634,502**

[22] **Filed: Dec. 26, 1990**

[52] **U.S. Cl. D2/314; D2/309**

[58] **Field of Search D2/264, 265, 268, 269, D2/271, 272, 308-314, 317-321; 36/11, 45, 83-92, 100-106, 112-116, 131, 132, 136**

[56] **References Cited**

U.S. PATENT DOCUMENTS

- D. 306,370 3/1990 Selbiger et al. D2/314
- D. 310,290 9/1990 Ringel D2/314

Primary Examiner—Louis S. Zarfes
Attorney, Agent, or Firm—Banner, Birch, McKie & Beckett

[57] **CLAIM**

The ornamental design for a shoe upper, as shown and described.

DESCRIPTION

FIG. 1 is a side elevational view of one side of a shoe upper showing my new design;

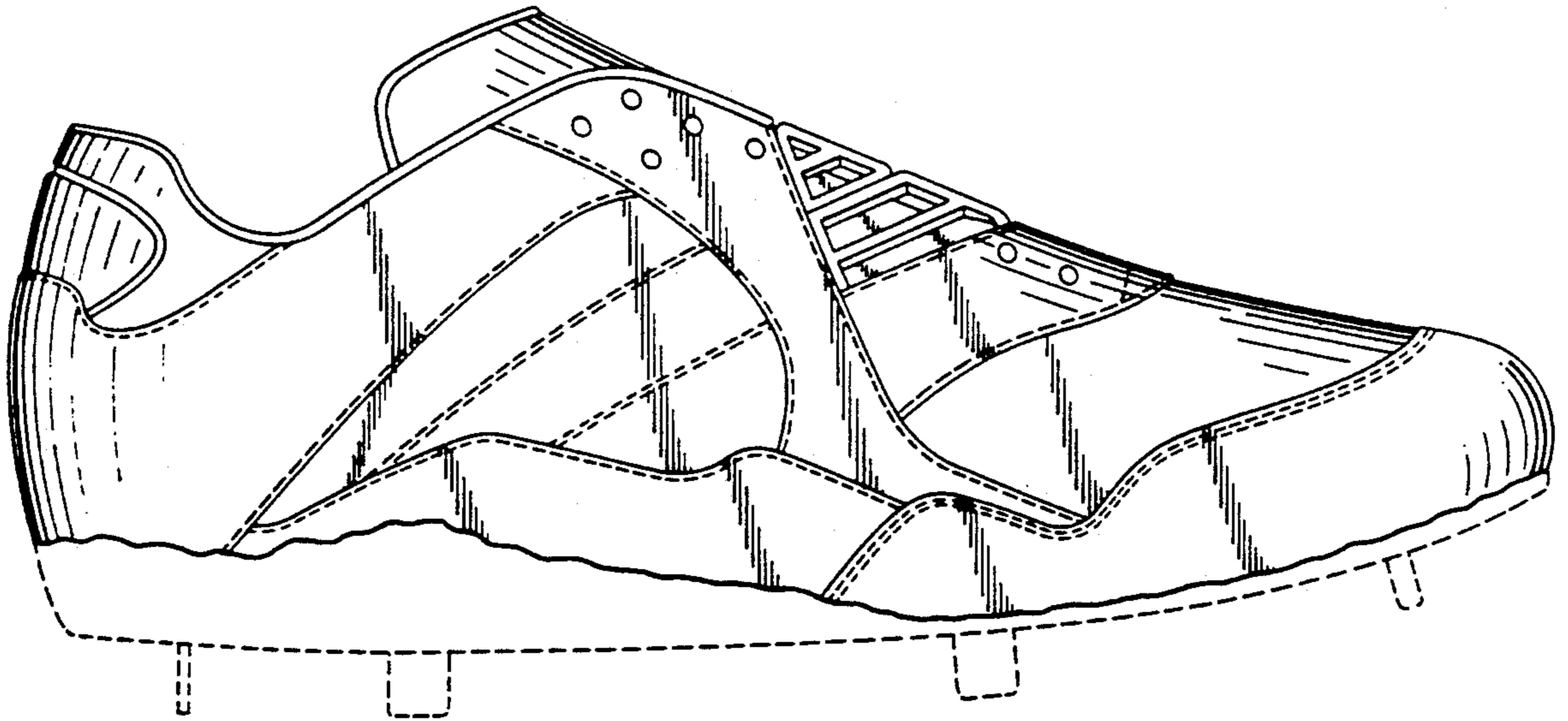
FIG. 2 is a side elevational view of the other side of the shoe upper shown in FIG. 1;

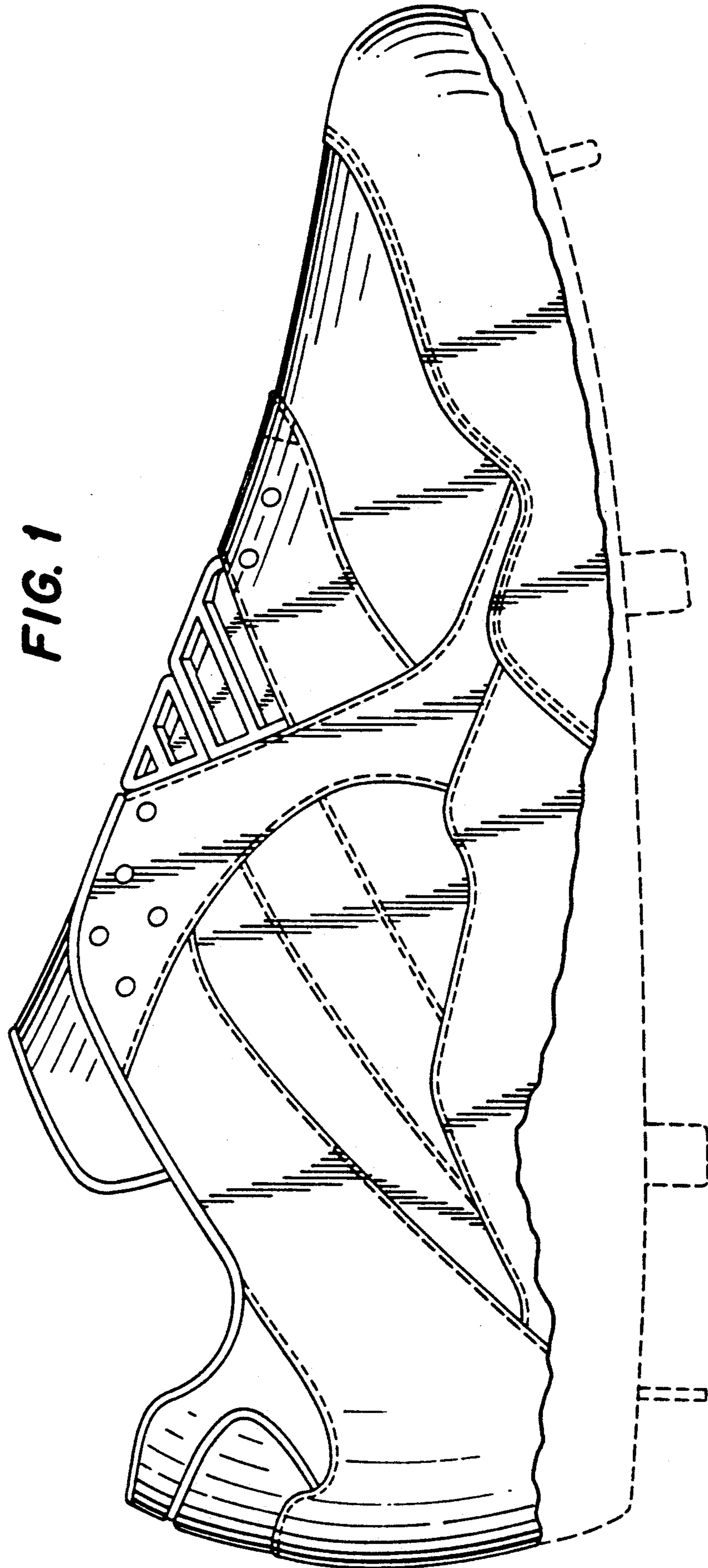
FIG. 3 is a rear elevational view of the shoe upper along shown in FIG. 1;

FIG. 4 is a front elevational view of the shoe upper shown in FIG. 1; and

FIG. 5 top plan view of the shoe upper.

The broken line drawing of a shoe outsole is for illustrative purposes only and forms no part of the claimed design.





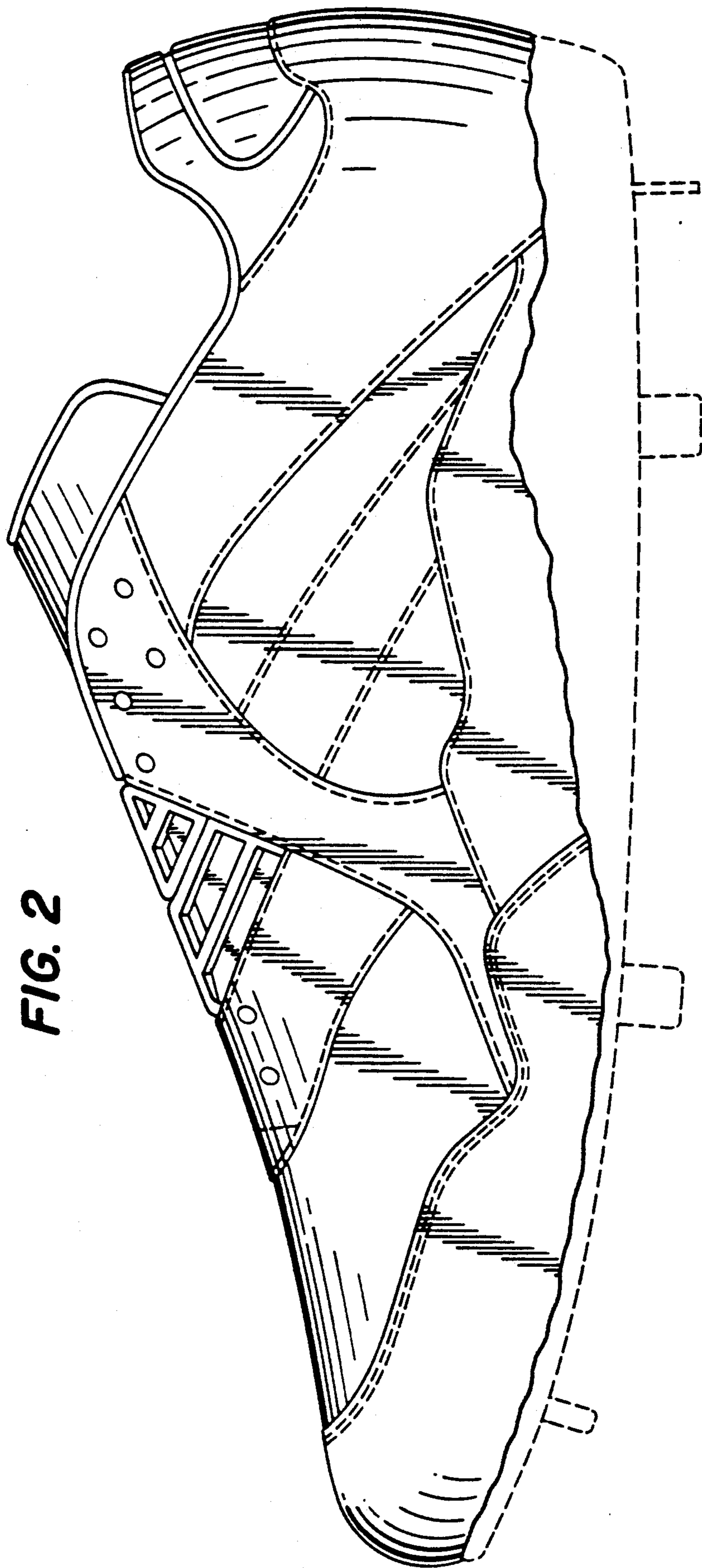


FIG. 2

FIG. 4

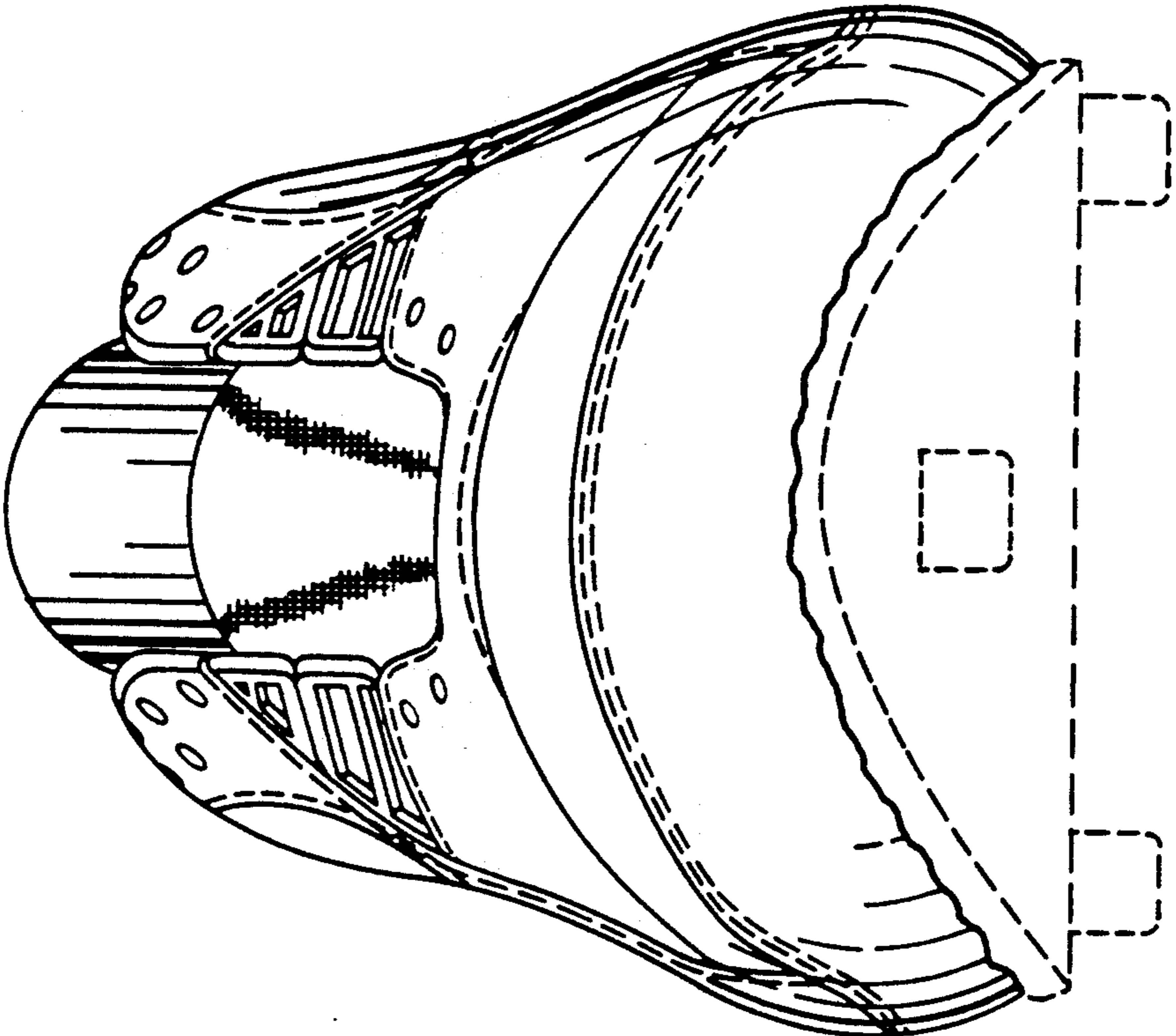


FIG. 3

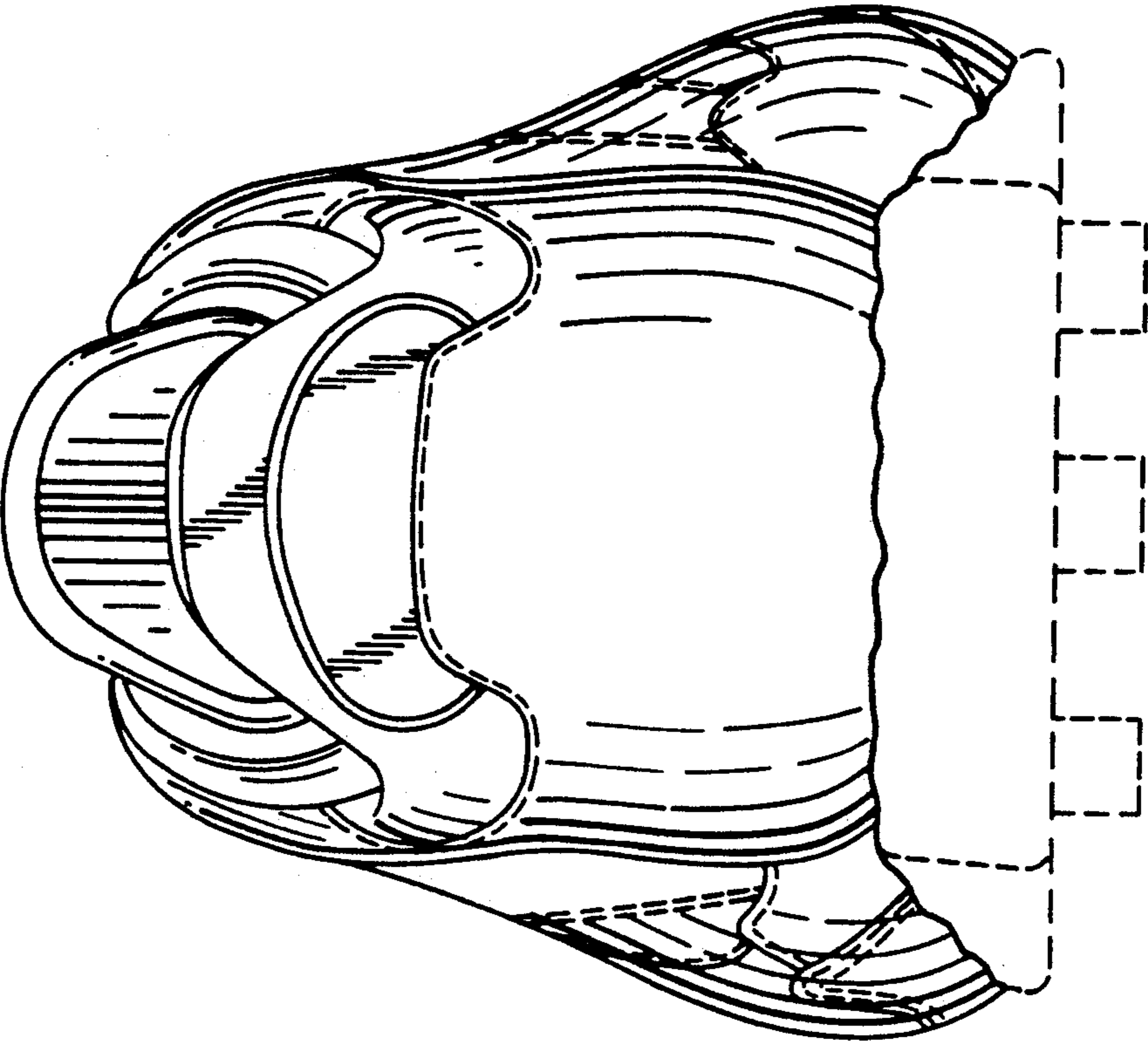


FIG. 5

