



US00D323731S

United States Patent [19]

[11] Patent Number: **Des. 323,731**

Blake

[45] Date of Patent: **** Feb. 4, 1992**

[54] DOOR-MOUNTED MAILBOX

[76] Inventor: **Keven L. Blake**, 625 Pickford Pl., NE., Washington, D.C. 20002-5334

[**] Term: **14 Years**

[21] Appl. No.: **346,610**

[22] Filed: **May 2, 1989**

[52] U.S. Cl. **D99/33**

[58] Field of Search **D99/29, 33; 232/17, 232/30, 19, 20, 21, 24, 25, 23, 27, 22, 34; D19/75, 90; D6/567**

[56] References Cited

U.S. PATENT DOCUMENTS

D. 218,490	8/1970	Blumberg	D99/33
D. 254,635	4/1980	Earle	D99/33
D. 261,443	10/1981	Delange	D99/33
D. 265,264	6/1982	Yeh	D99/33
491,534	2/1893	Cushing et al.	232/21
1,805,393	5/1937	Fanchier	232/20
2,507,785	5/1950	Hartman	232/19
2,578,692	12/1951	Gieseler	232/19
3,874,583	4/1975	Moll	232/17

Primary Examiner—Nelson C. Holtje
Assistant Examiner—J. H. Musgrove

Attorney, Agent, or Firm—Nies, Kurz, Bergert & Tamburro

[57] CLAIM

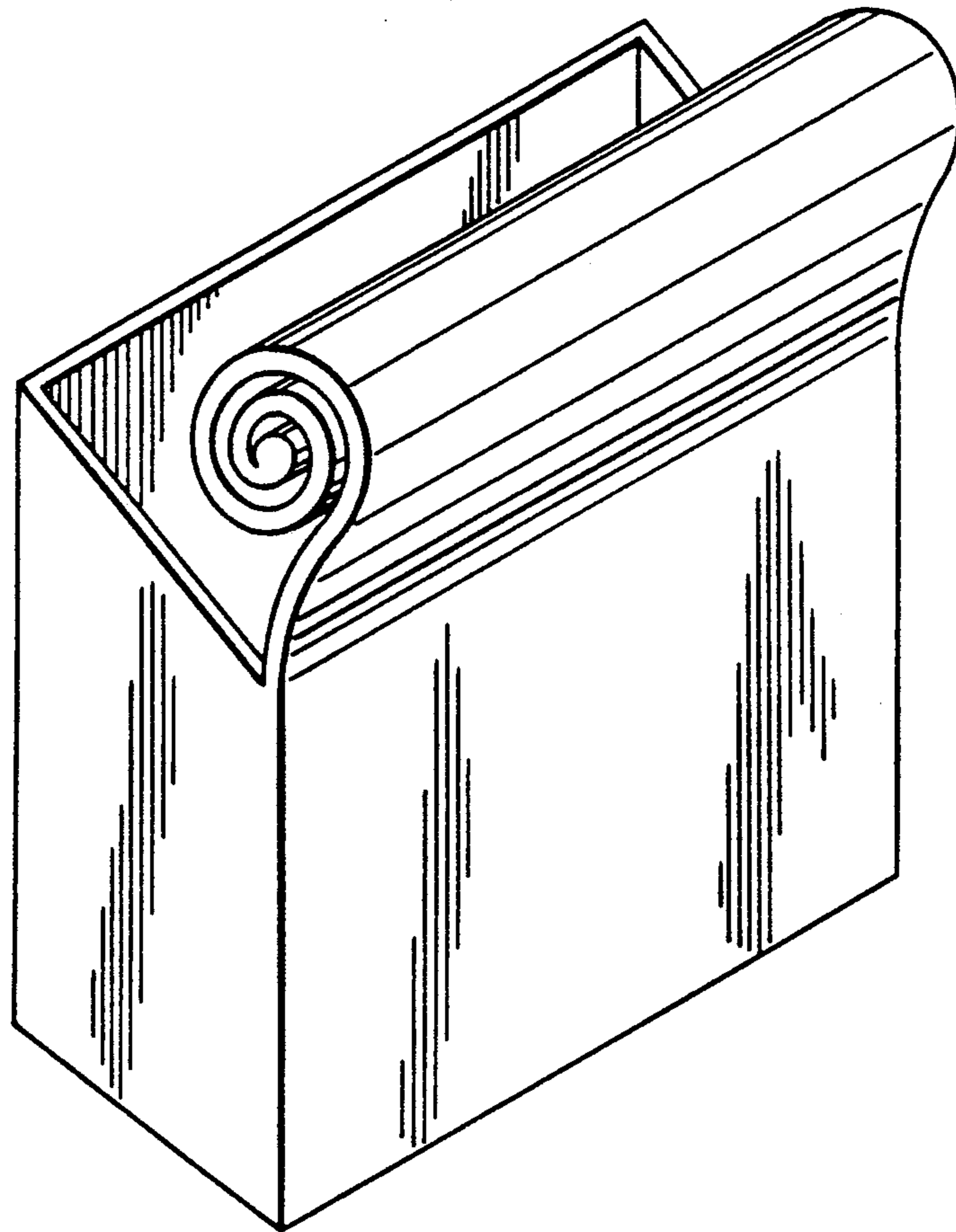
The ornamental design for door-mounted mailbox, as shown and described.

DESCRIPTION

FIG. 1 is a front, top and left side perspective view of a door-mounted mailbox showing my new design; FIG. 2 is a front elevational view; FIG. 3 is a rear elevational view; FIG. 4 is a right side elevational view; the opposite side being a mirror image; FIG. 5 is a bottom plan view; FIG. 6 is a front top and left side perspective view of a second embodiment of a wall-mounted mailbox showing my new design of FIGS. 1-5 the only difference being is in the curled ends; and FIG. 7 is a front top and left side perspective view of a third embodiment of a wall-mounted mailbox showing my new design of FIGS. 1-5 the only difference being in the curled end.

The side not shown is the mirror image of the side shown in FIG. 4.

The claimed design for a door-mounted mailbox is positioned with its rear surface against the inside surface of a door and immediately below a mail slot in the door.



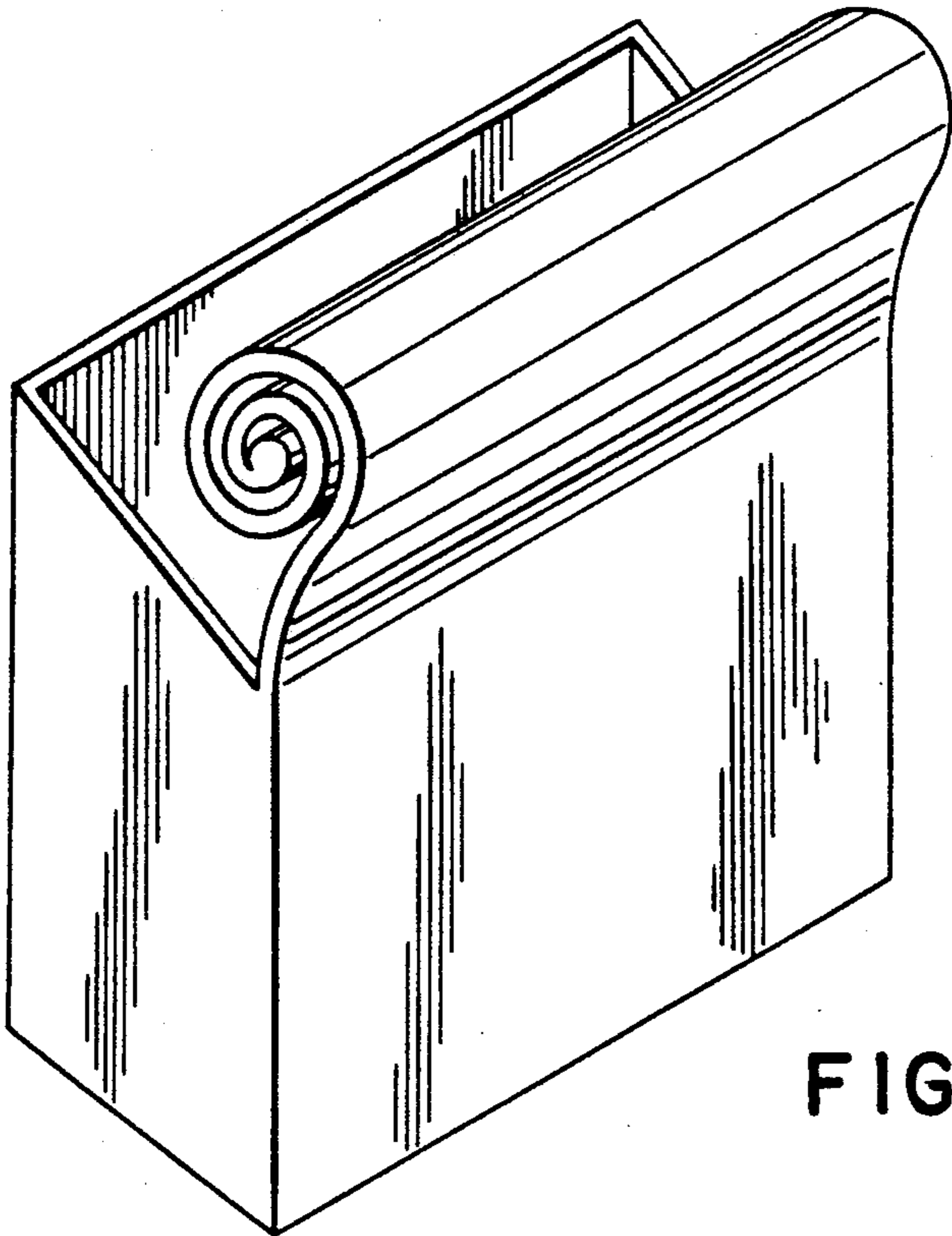


FIG. 1

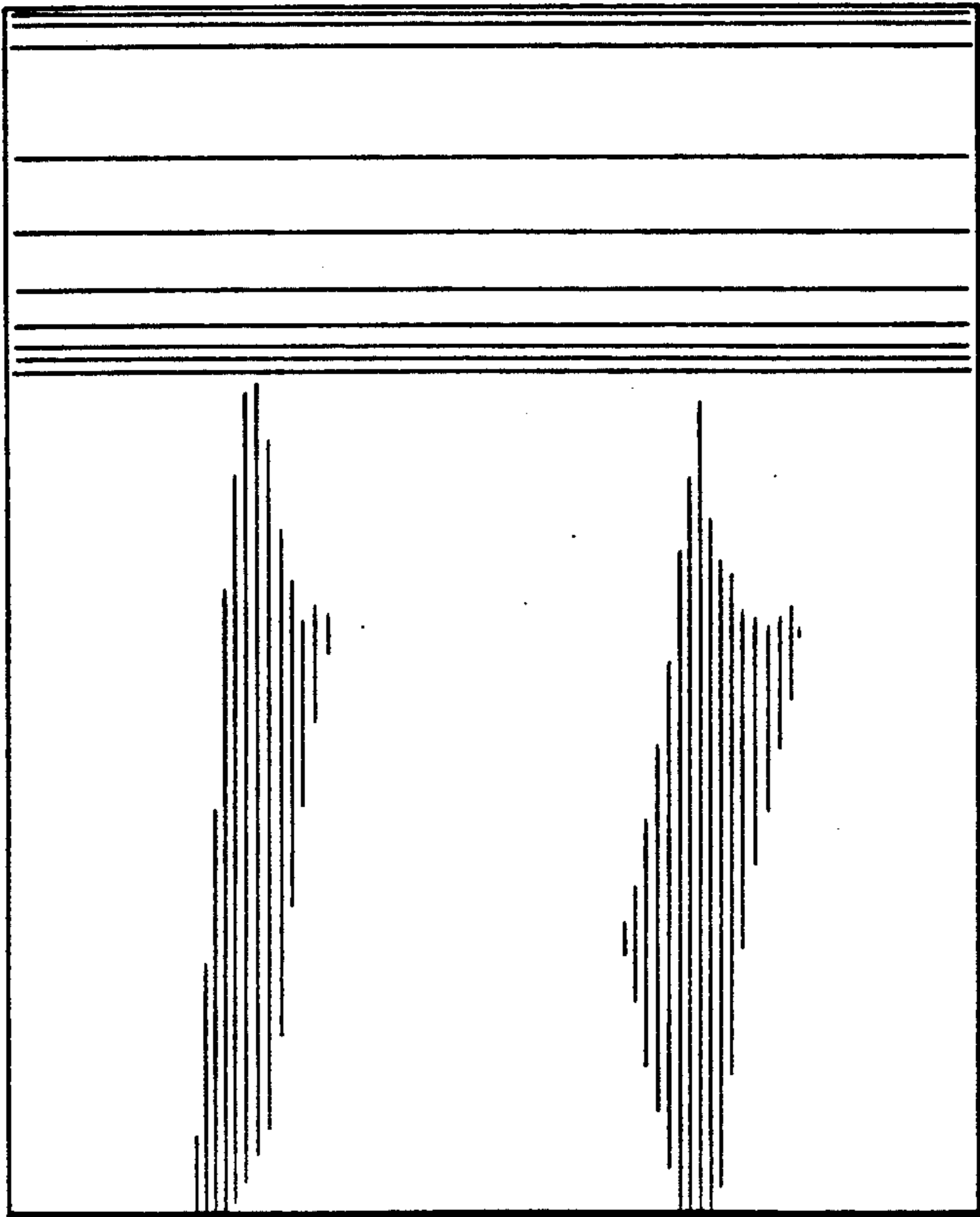


FIG. 2

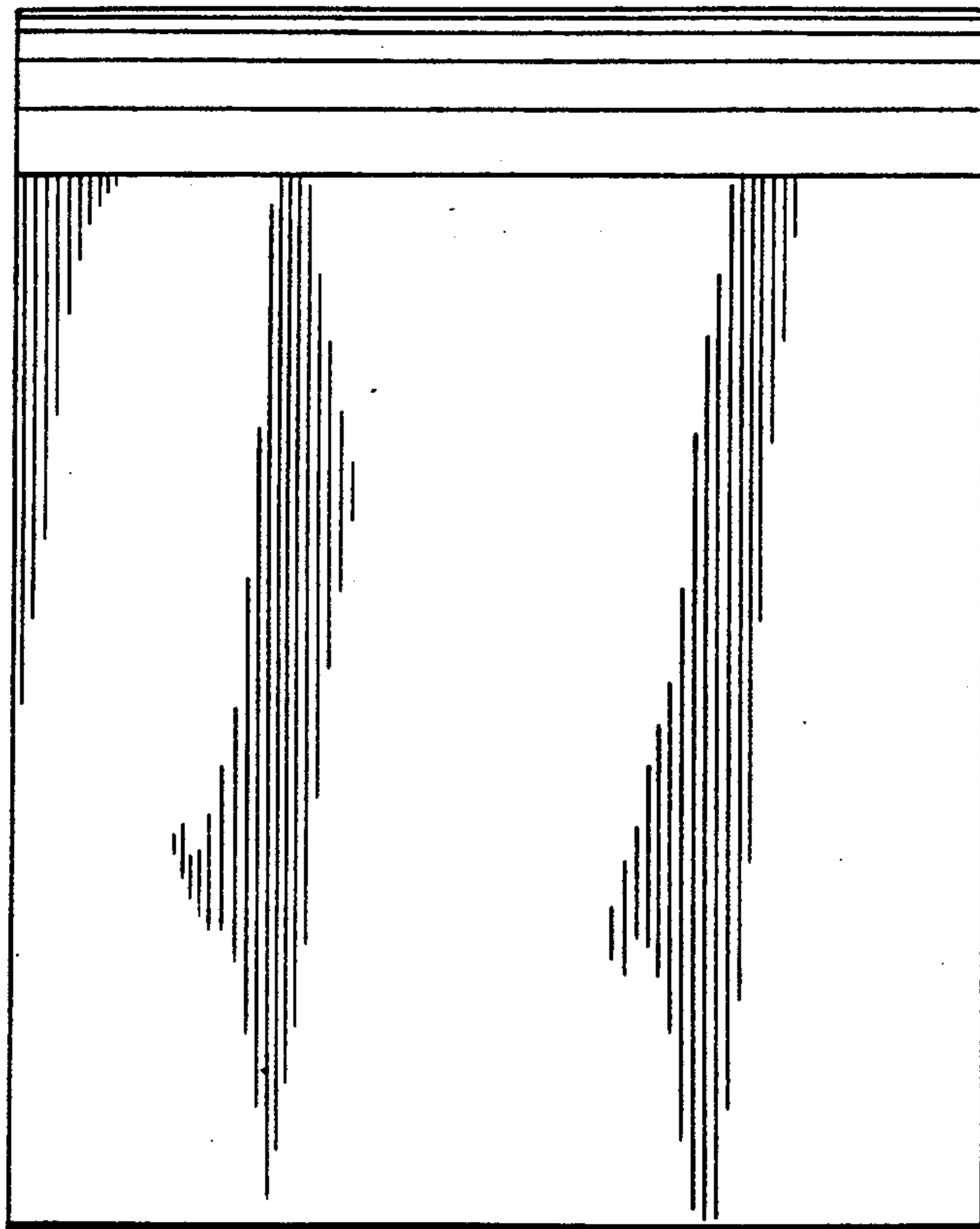


FIG. 3

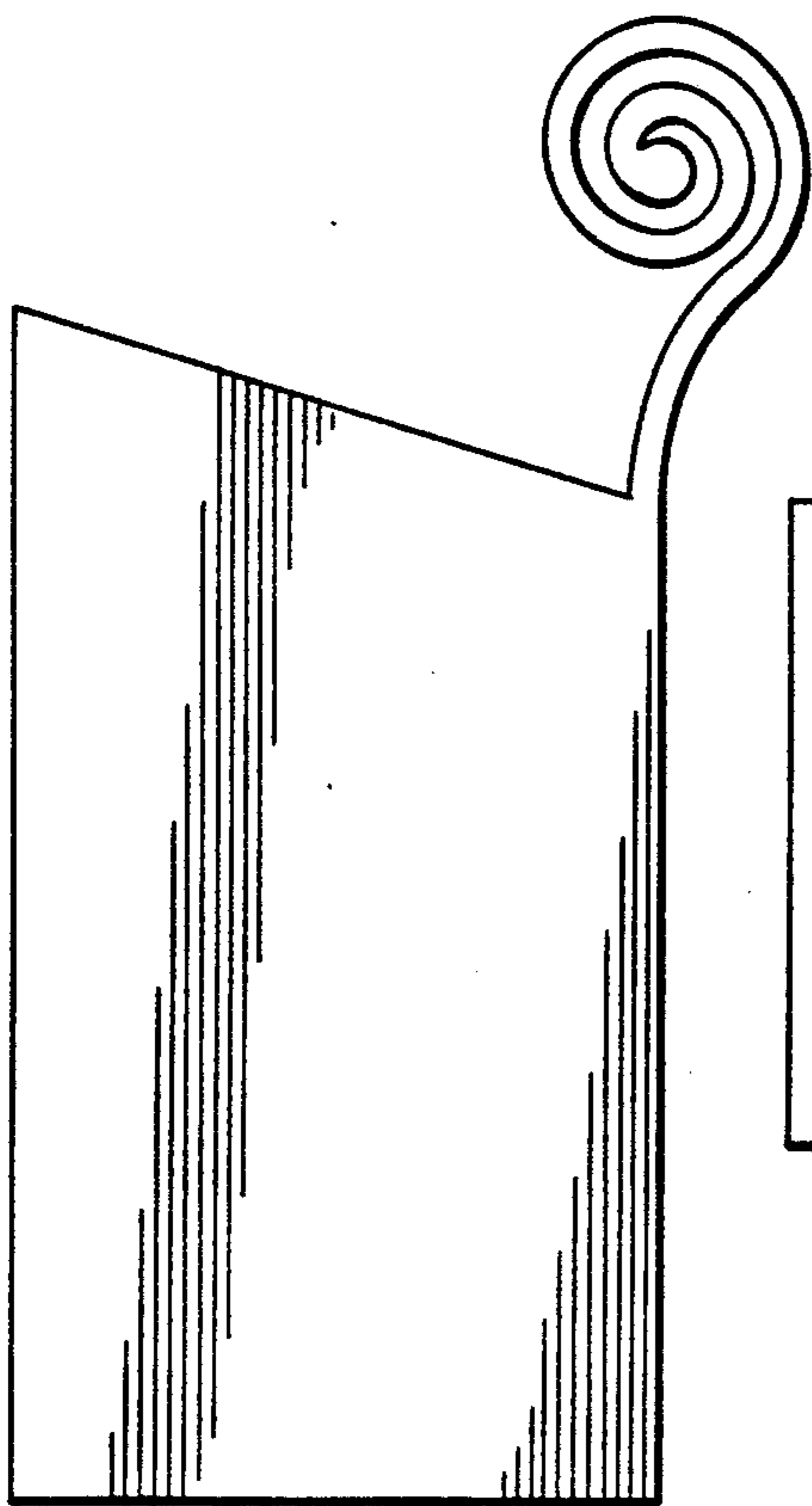


FIG. 4

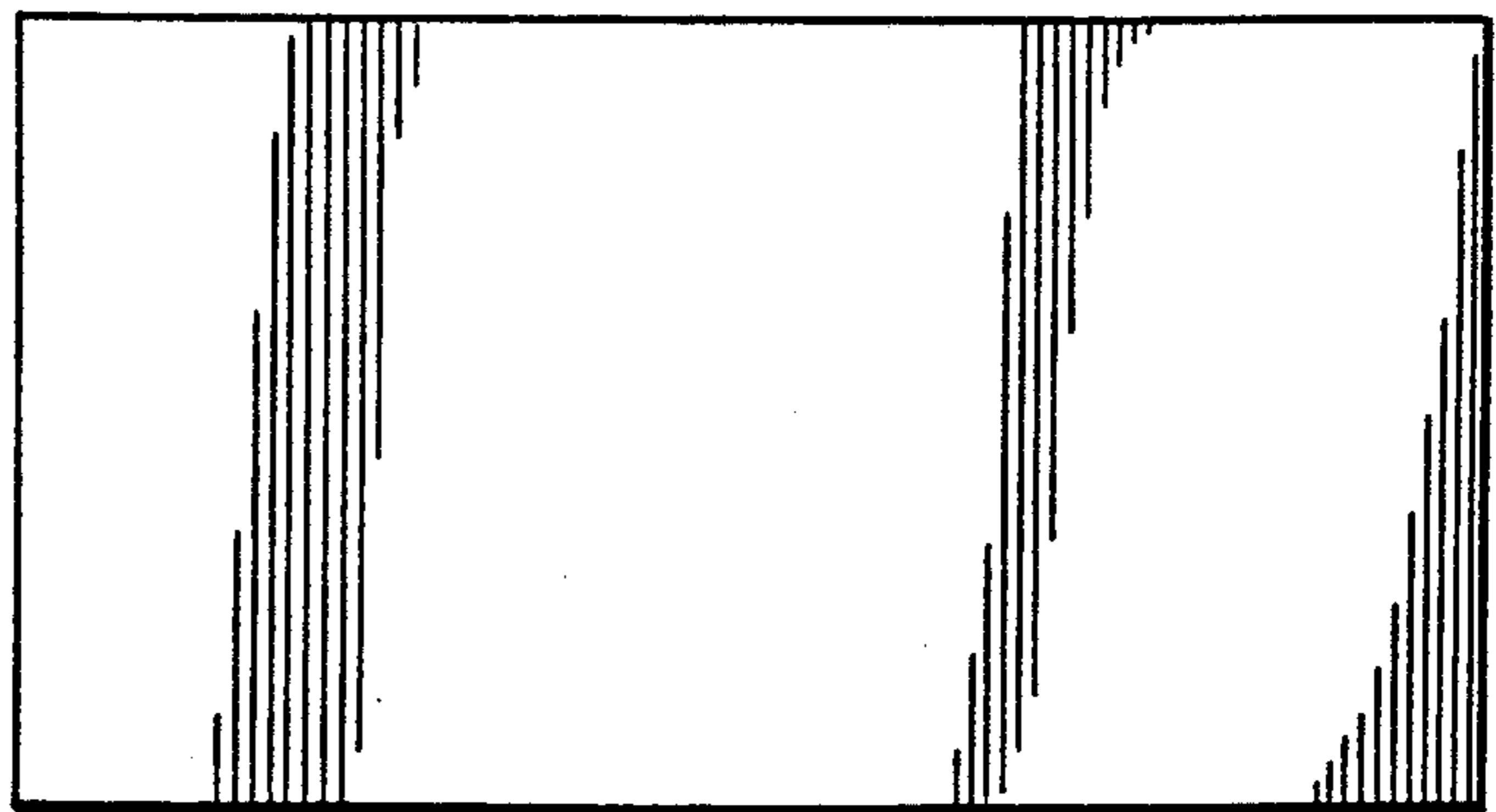


FIG. 5

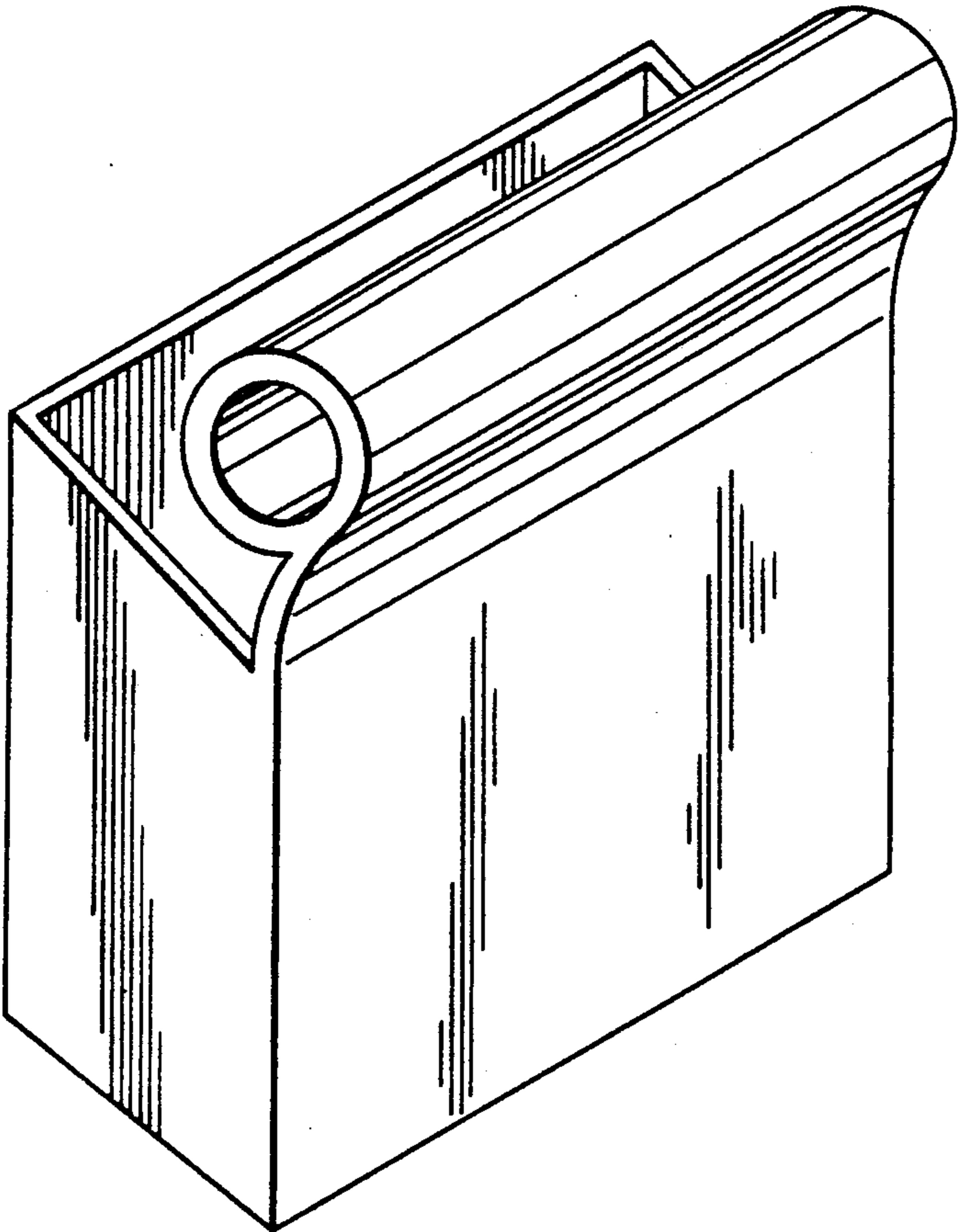


FIG. 6

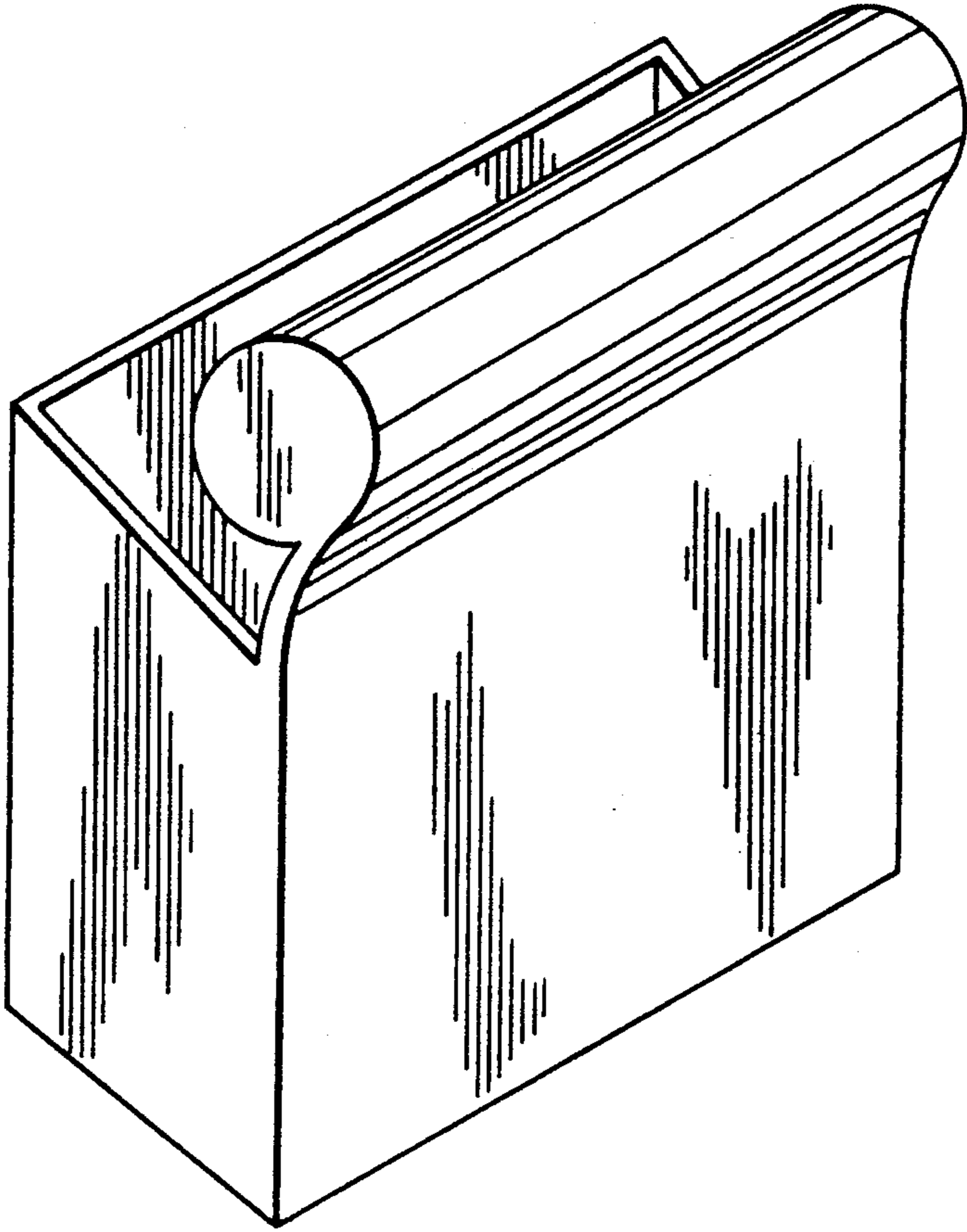


FIG. 7