



US00D323730S

United States Patent [19]

[11] Patent Number: **Des. 323,730**

Burney

[45] Date of Patent: **** Feb. 4, 1992**

[54] **CARRIER FOR MATTRESS OR BOX SPRINGS**

Primary Examiner—Wallace R. Burke
Assistant Examiner—H. Baynham
Attorney, Agent, or Firm—Litman, McMahon & Brown

[76] Inventor: **William C. Burney**, 1263 Tyler, Topeka, Kans. 66612

[57] **CLAIM**

[**] Term: **14 Years**

The ornamental design for a carrier for mattress or box springs, as shown and described.

[21] Appl. No.: **283,874**

DESCRIPTION

[22] Filed: **Dec. 12, 1988**

[52] U.S. Cl. **D34/28**

[58] Field of Search 294/149, 68.1, 152; 5/510; D34/28

FIG. 1 is a top plan view of a carrier for a mattress and box springs showing my new design;

FIG. 2 is a side elevational view thereof with the opposite side being a mirror image;

FIG. 3 is an end elevational view thereof with the opposite end being a mirror image; and

FIG. 4 is a top perspective view thereof; and

The broken lines showing of a mattress and stick figures are for illustrative purposes only and forms no part of the claimed design.

[56] **References Cited**

U.S. PATENT DOCUMENTS

3,214,072	10/1965	Brown	294/152
4,119,250	10/1978	Brutlag	D34/28 X
4,521,045	6/1985	Hart	294/152

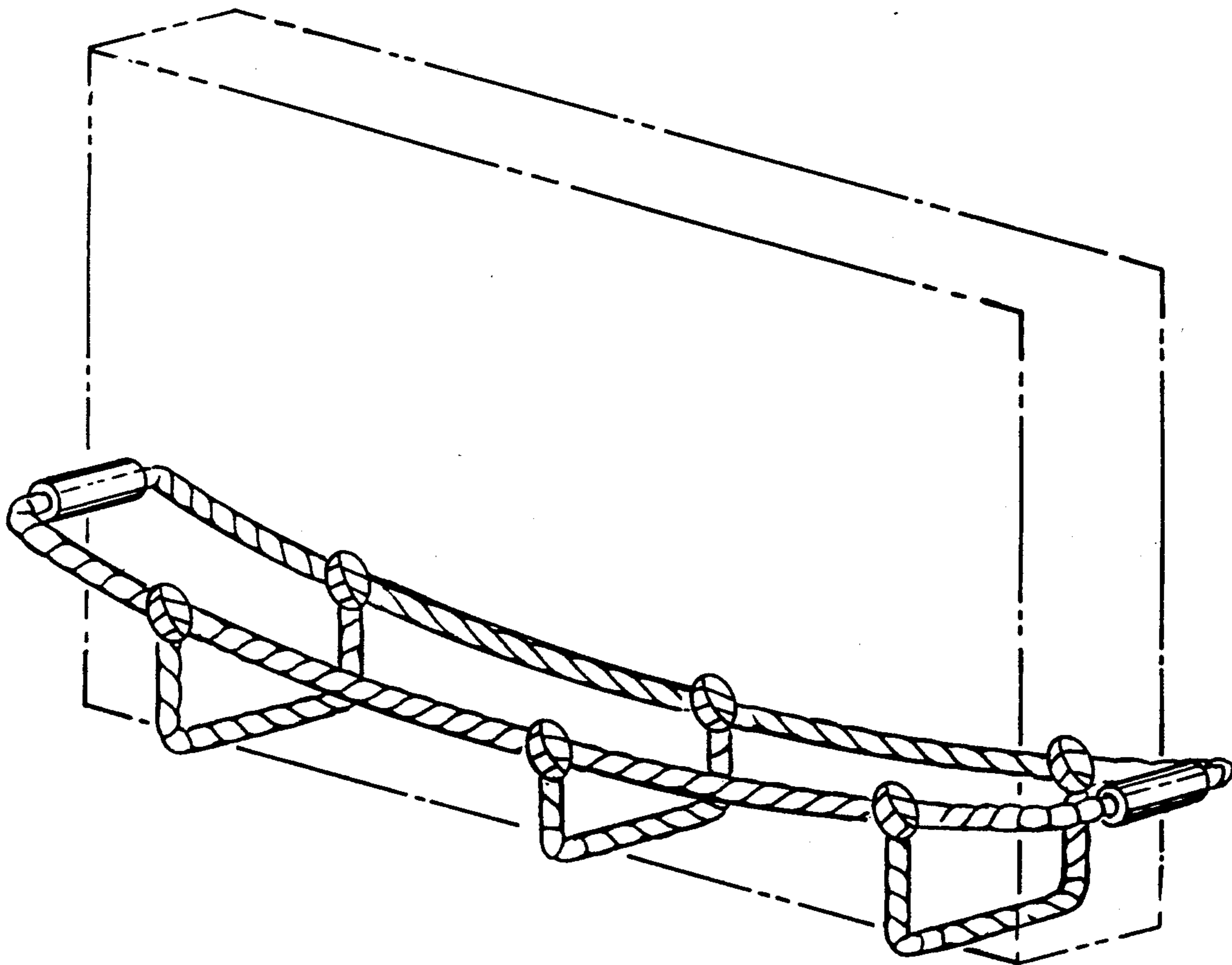


Fig. 4.

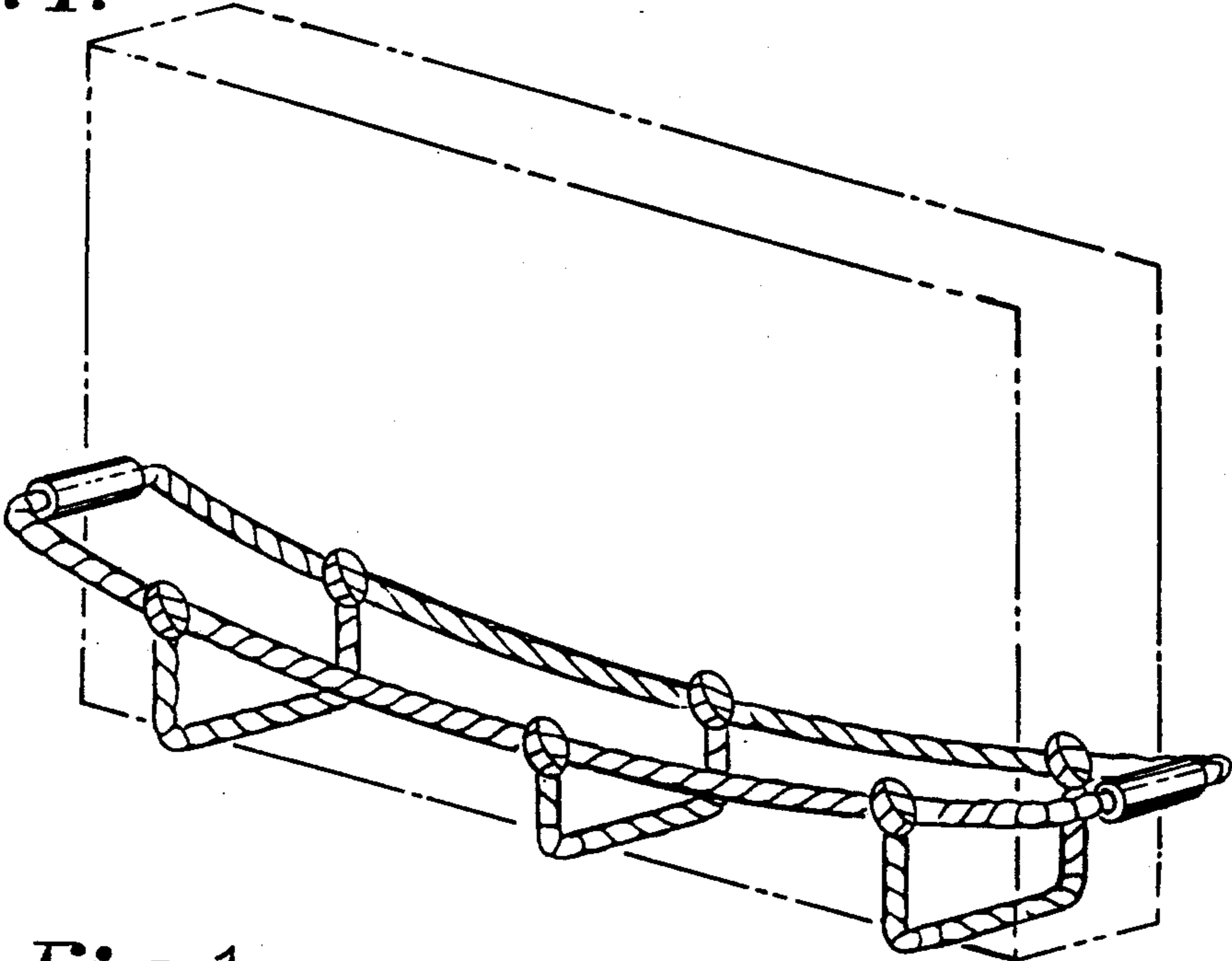


Fig. 1.

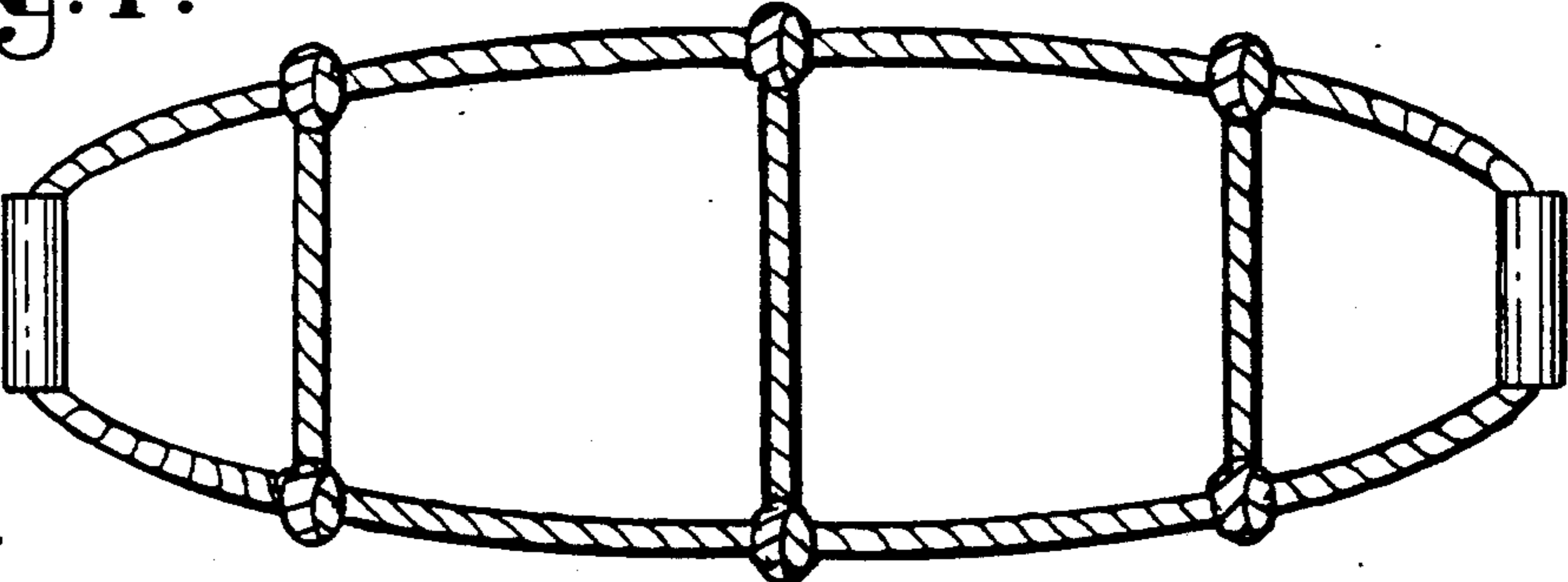


Fig. 3.

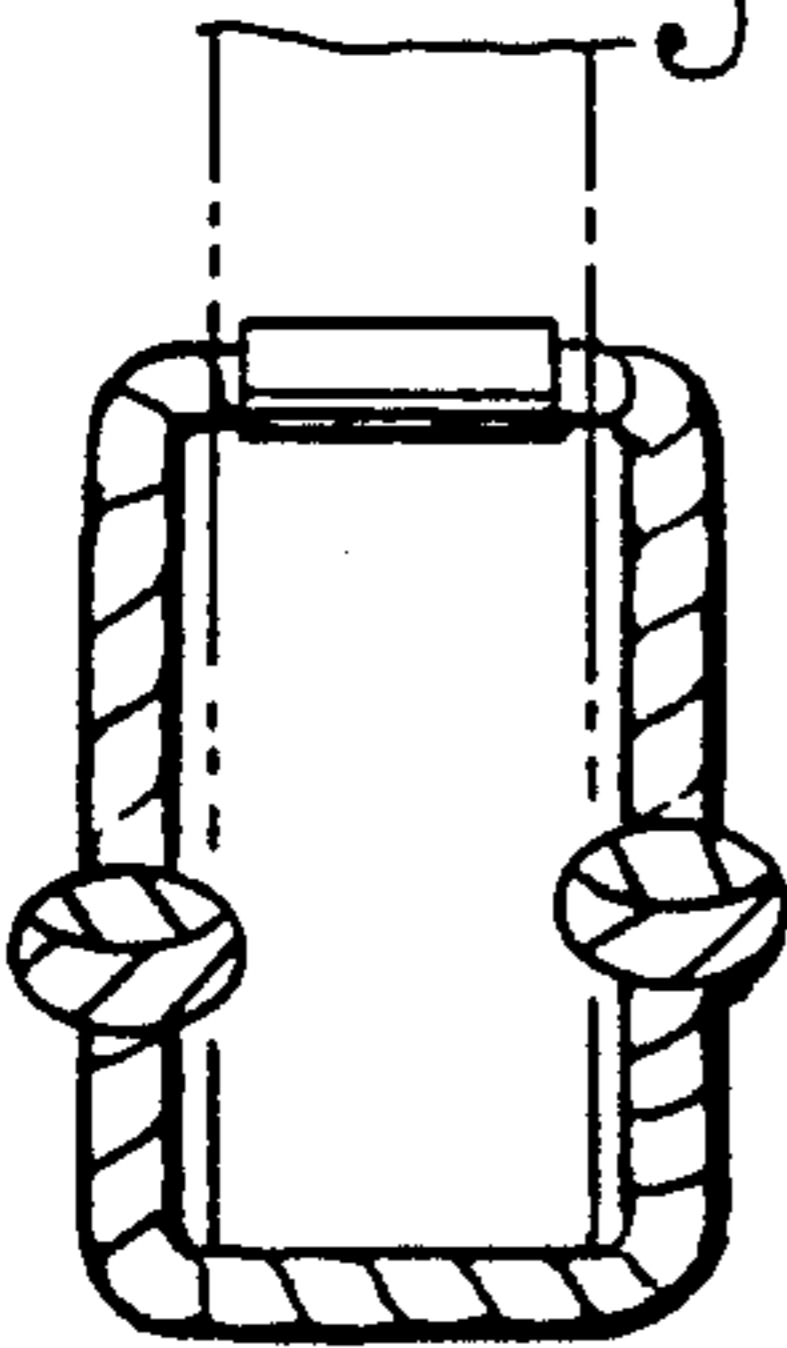


Fig. 2.

