



US00D323724S

# United States Patent [19]

[11] Patent Number: **Des. 323,724**

Gierke et al.

[45] Date of Patent: **\*\* Feb. 4, 1992**

- [54] **PORTABLE BLOWER**
- [75] Inventors: **Martin P. Gierke; Robert B. Straub,**  
both of Baltimore; **Jonathan L. Miner,**  
Timonium, all of Md.
- [73] Assignee: **Black & Decker Inc.,** Newark, Del.
- [\*\*] Term: **14 Years**
- [21] Appl. No.: **119,996**
- [22] Filed: **Nov. 13, 1987**
- [52] U.S. Cl. .... **D32/15**
- [58] Field of Search ..... **D32/1, 15-18,**  
**D32/25, 32; D23/383, 393; 15/404-405, 344,**  
**414, 415 R, 415 A, 420, 330-331, 337, 335;**  
**417/234, 423.2, 236**

- 4,132,507 1/1979 Akiyama et al. .... 15/405
- 4,269,571 5/1981 Shikutani et al. .... 15/405
- 4,335,646 6/1982 Jacquet et al. .... 98/2

### OTHER PUBLICATIONS

Hardware Age, vol. 220, Dec. 1983, p. 472.

*Primary Examiner*—A. Hugo Word

*Assistant Examiner*—Doris V. Coles

*Attorney, Agent, or Firm*—Charles E. Yocum; Dennis A. Dearing; John D. Del Ponti

### [57] CLAIM

The ornamental design for a portable blower, as shown and described.

### DESCRIPTION

FIG. 1 is a perspective view of a portable blower, showing our new design;

FIG. 2 is a side elevational view thereof;

FIG. 3 is a top plan view thereof;

FIG. 4 is a bottom plan view thereof;

FIG. 5 is a front elevational view thereof;

FIG. 6 is a rear elevational view thereof;

FIG. 7 is a partial rear elevational view thereof, with the guard removed;

FIG. 8 is a side elevational view of the second embodiment;

FIG. 9 is a partial side elevational view thereof;

FIG. 10 is a partial front elevational view thereof;

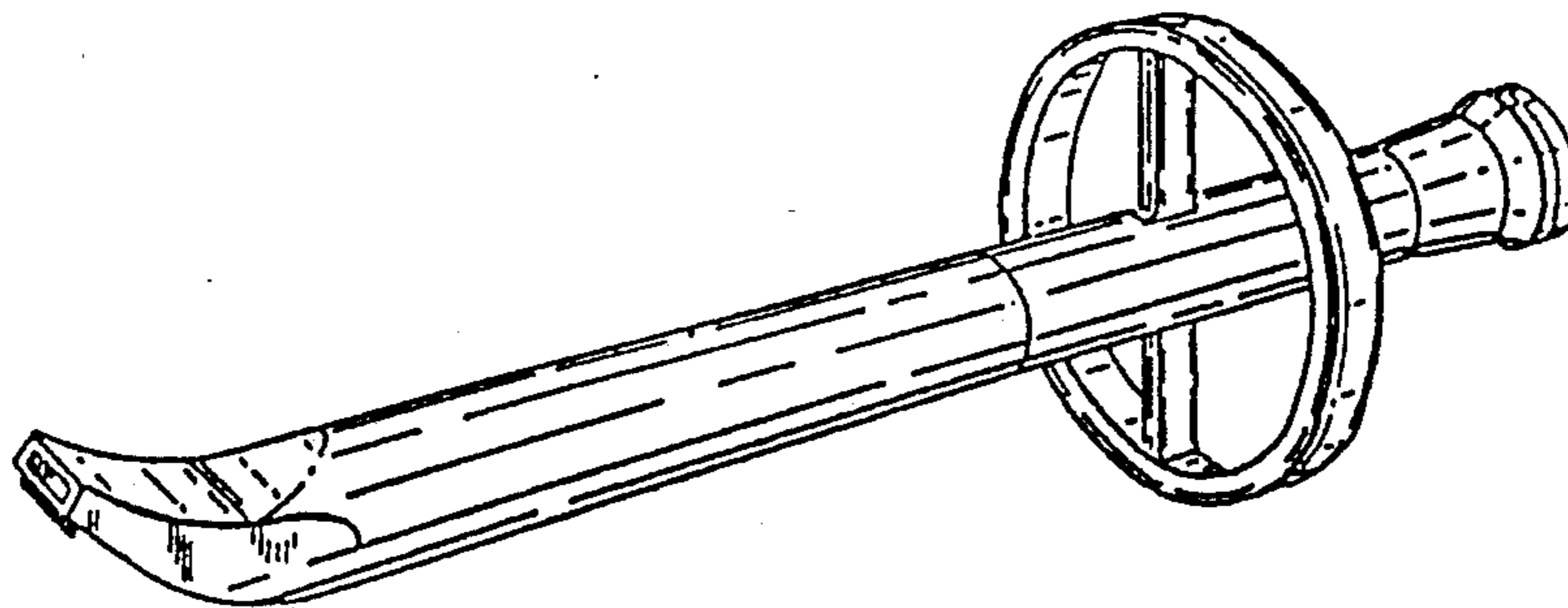
FIG. 11 is a partial side elevational view of the rear portion thereof; and

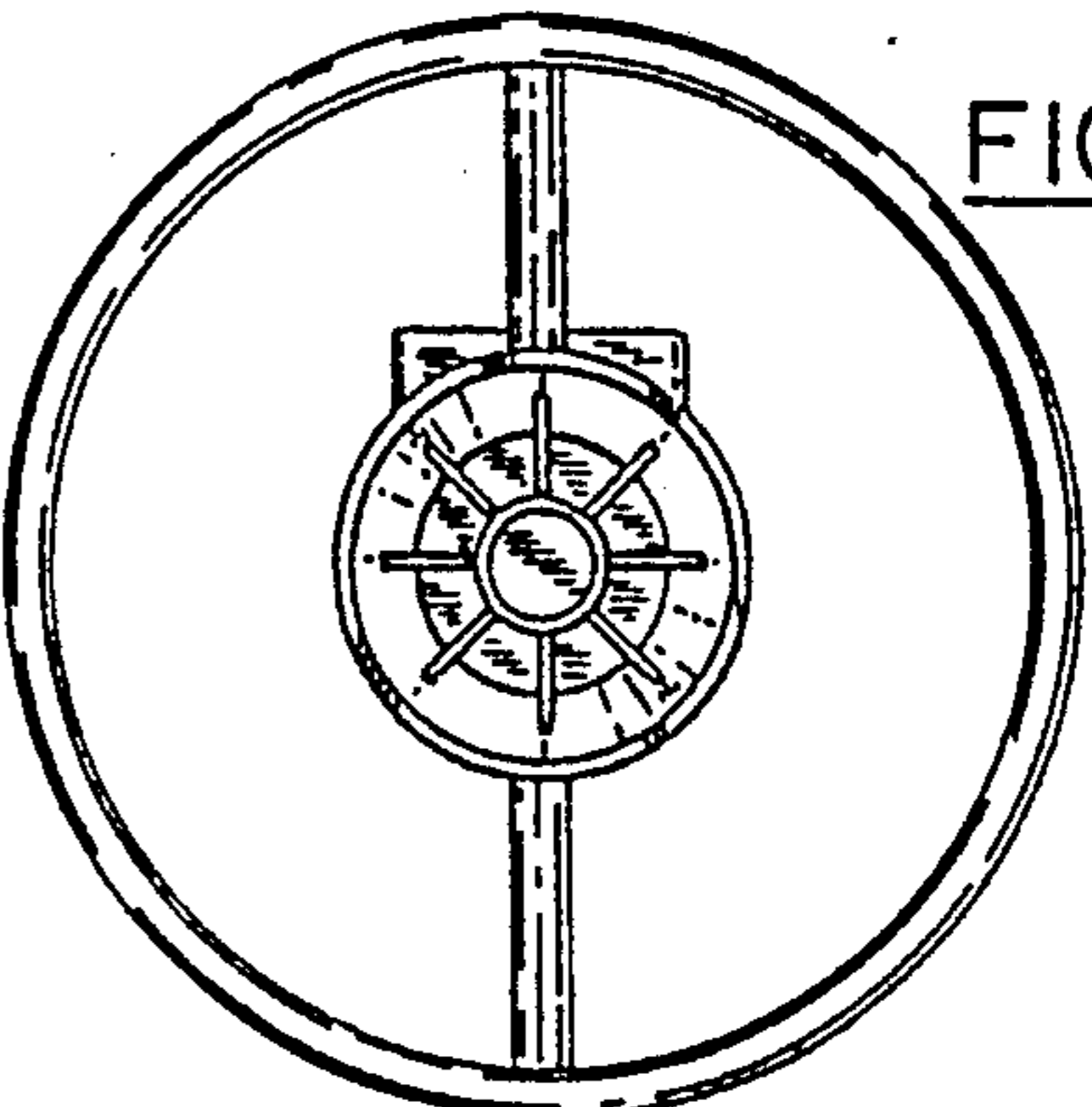
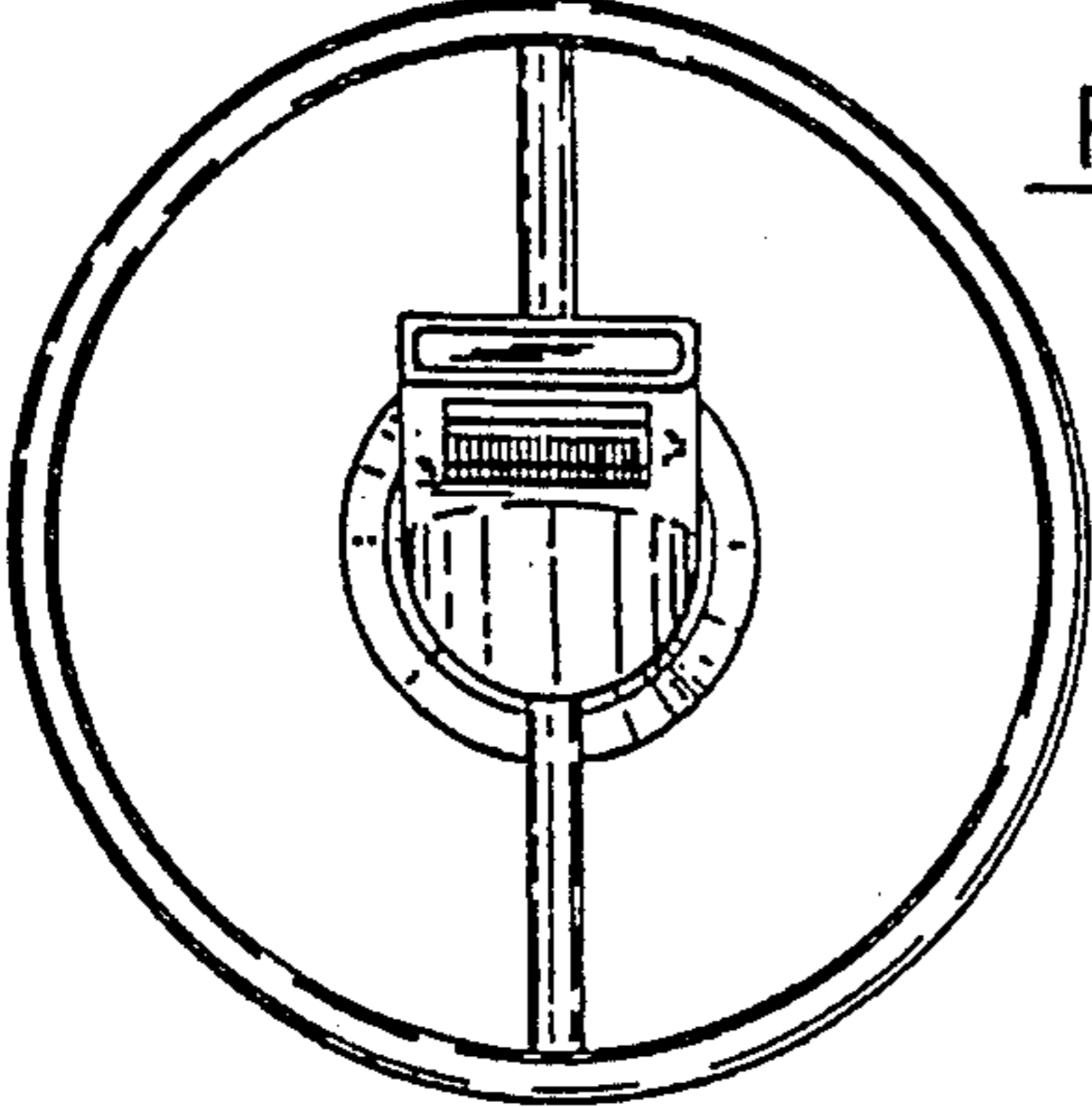
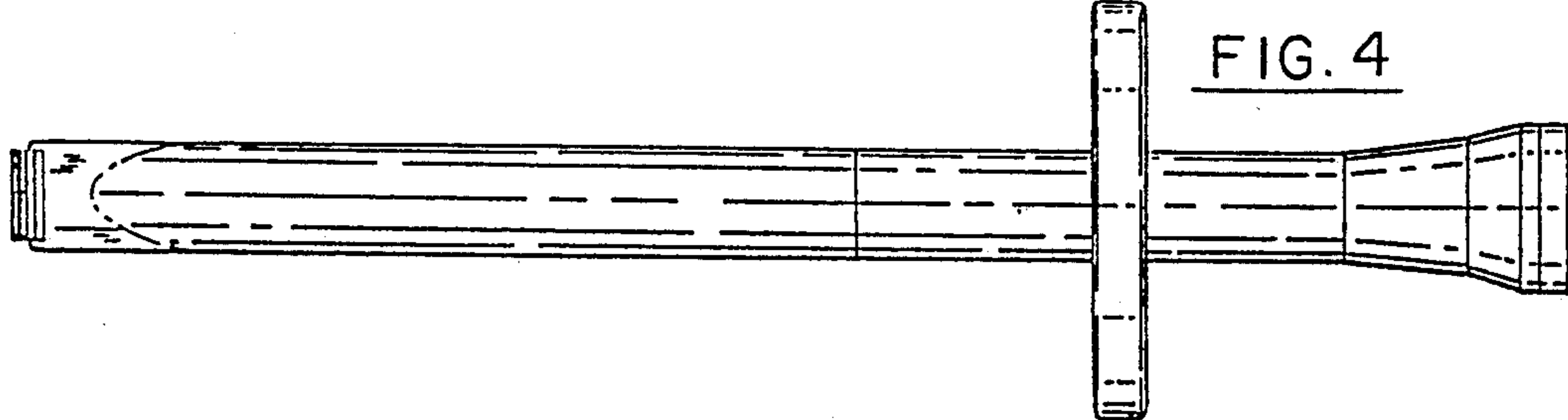
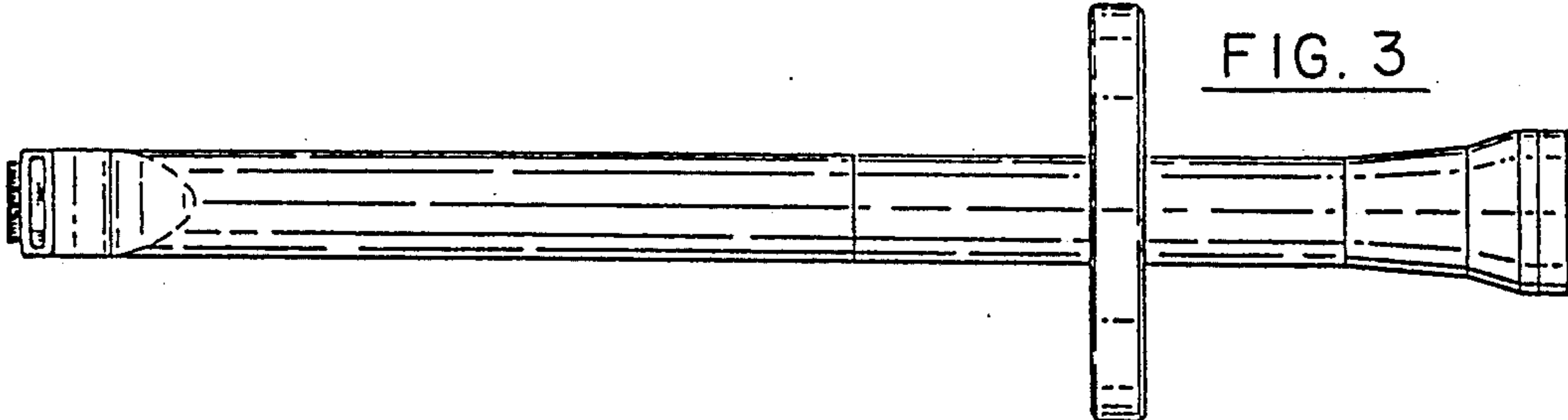
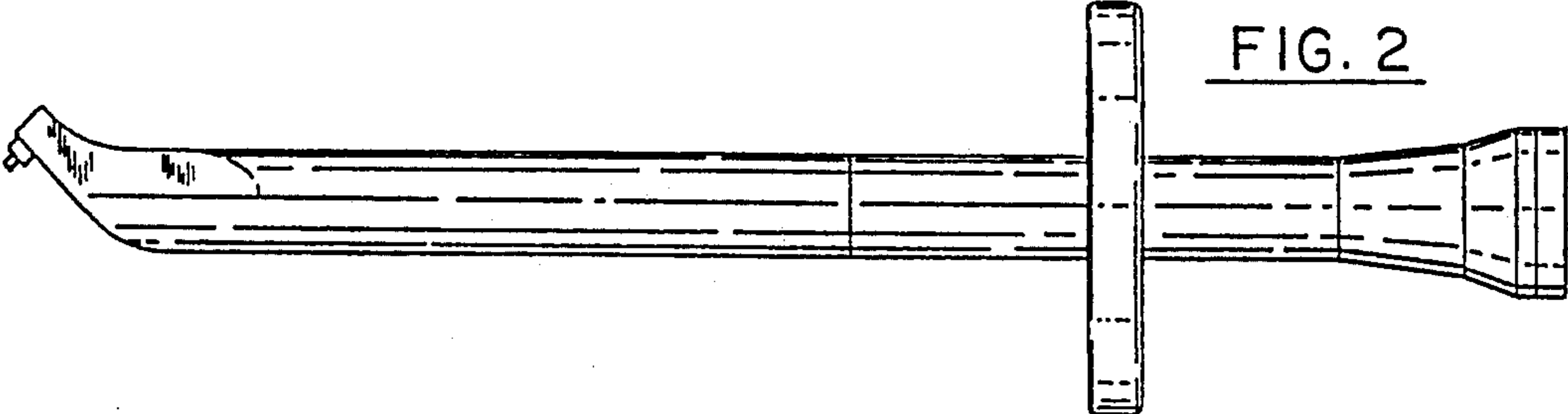
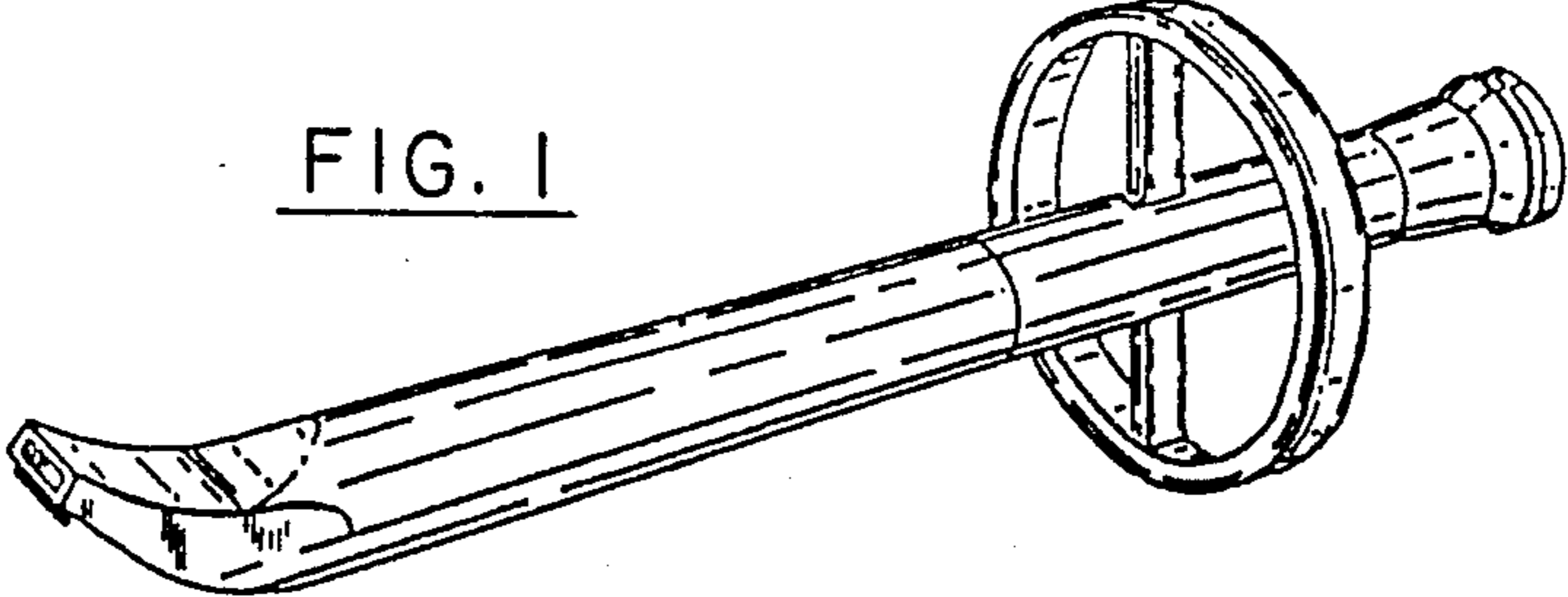
FIG. 12 is a partial rear elevational view thereof.

### [56] References Cited

#### U.S. PATENT DOCUMENTS

- D. 266,355 9/1982 Mariol ..... D23/383
- D. 280,661 9/1985 Hill ..... D23/383
- D. 297,274 8/1988 Komiya et al. .... D32/15
- 1,887,600 11/1932 Replogle ..... 15/347
- 2,019,895 11/1935 Dow ..... 15/412
- 2,064,587 12/1936 Carlstedt ..... 15/347
- 2,121,073 5/1938 De Bothezat ..... 417/247
- 2,175,641 10/1939 Replogle ..... 417/247
- 2,218,035 10/1940 Benson ..... 15/347
- 2,360,155 10/1944 Nuffer et al. .... 15/344
- 2,576,368 11/1951 Steiner ..... 15/402
- 2,969,559 1/1961 Landis ..... 15/344
- 3,083,893 4/1963 Dean ..... 417/247
- 3,999,243 12/1976 La Pour ..... 15/405





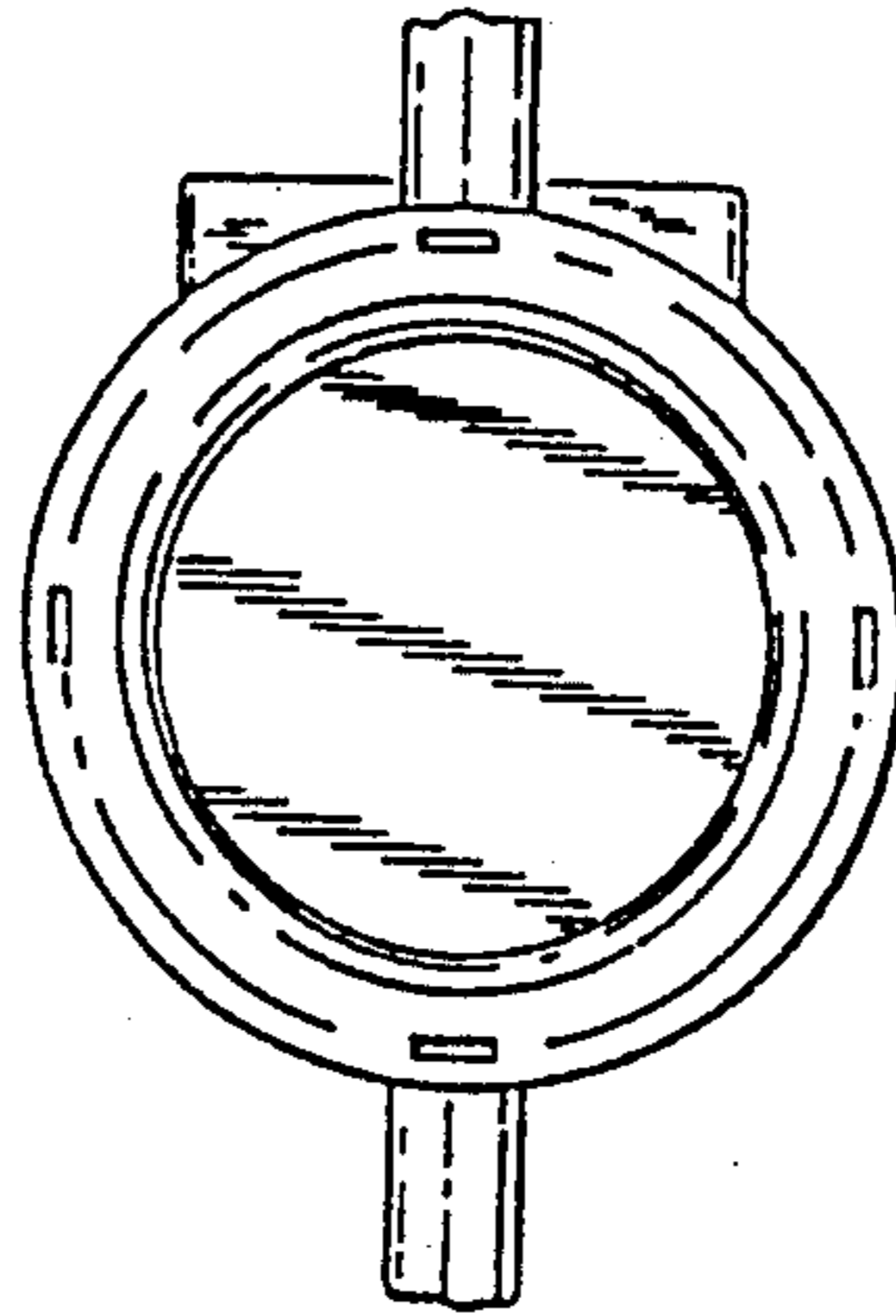


FIG. 7

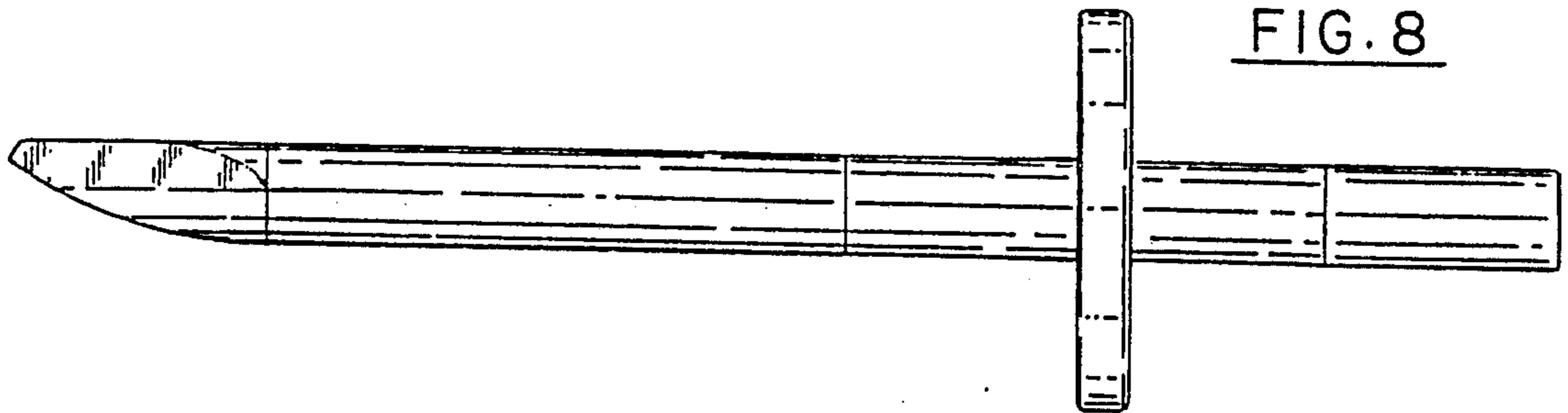


FIG. 8

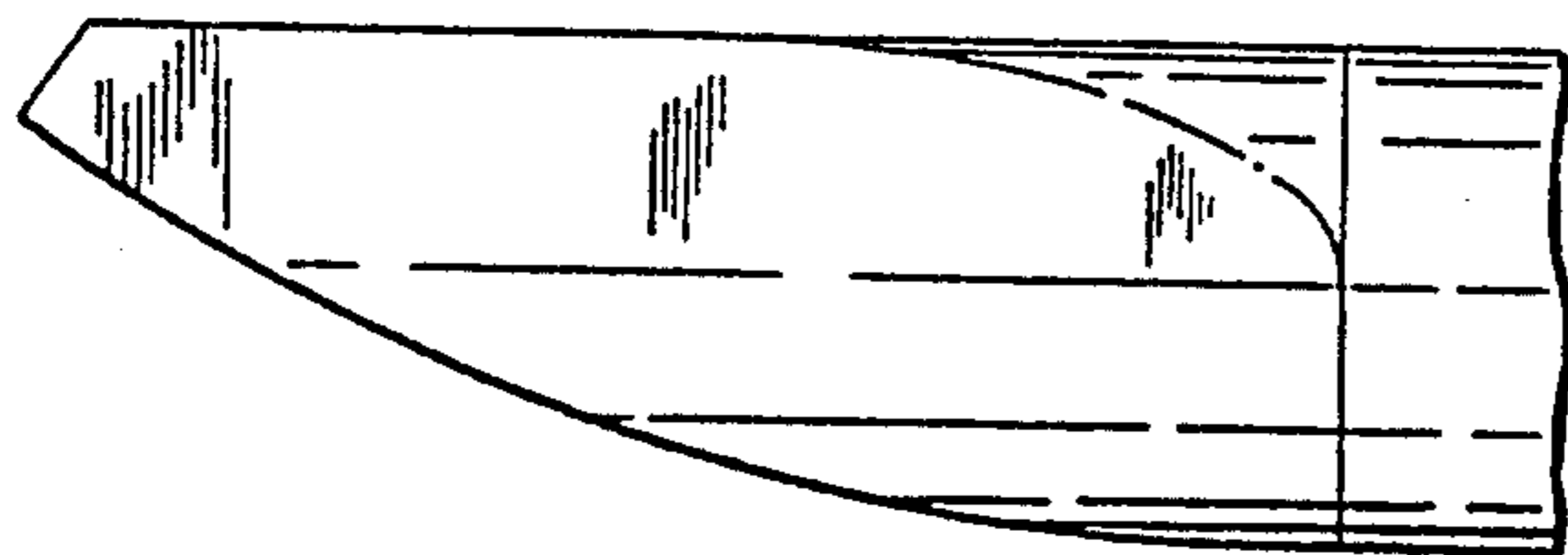


FIG. 9

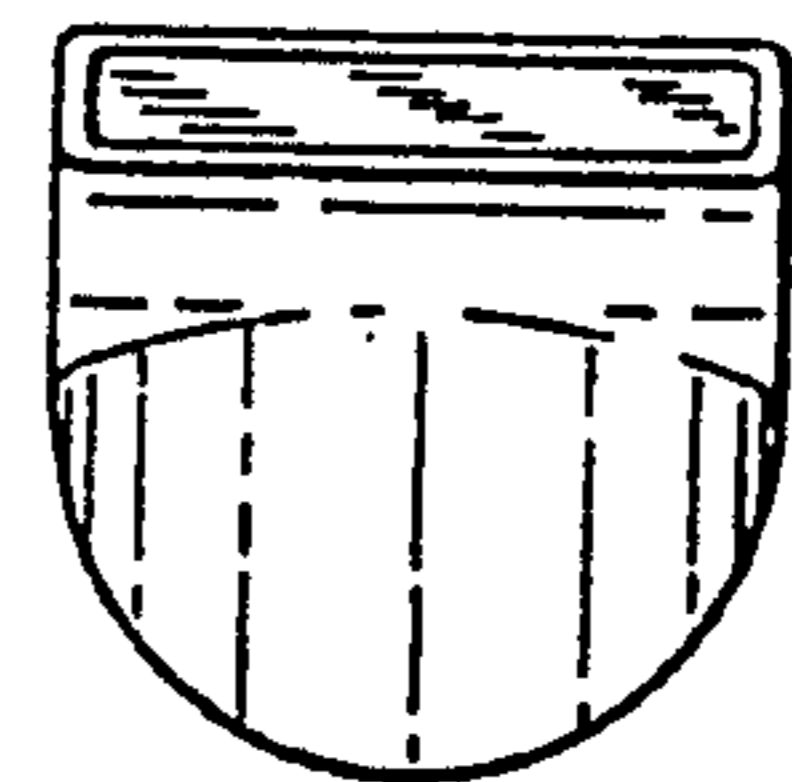


FIG. 10

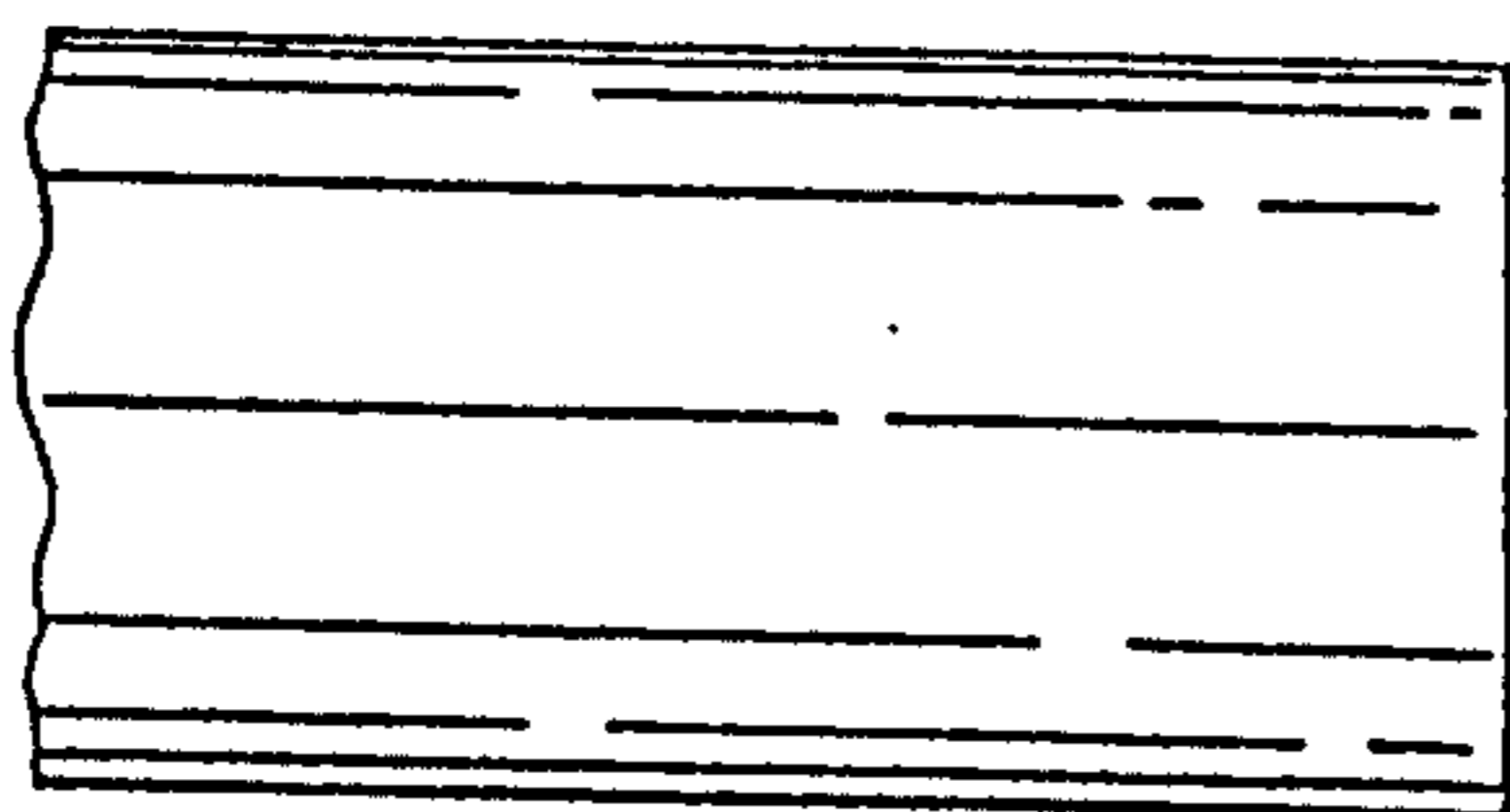


FIG. 11

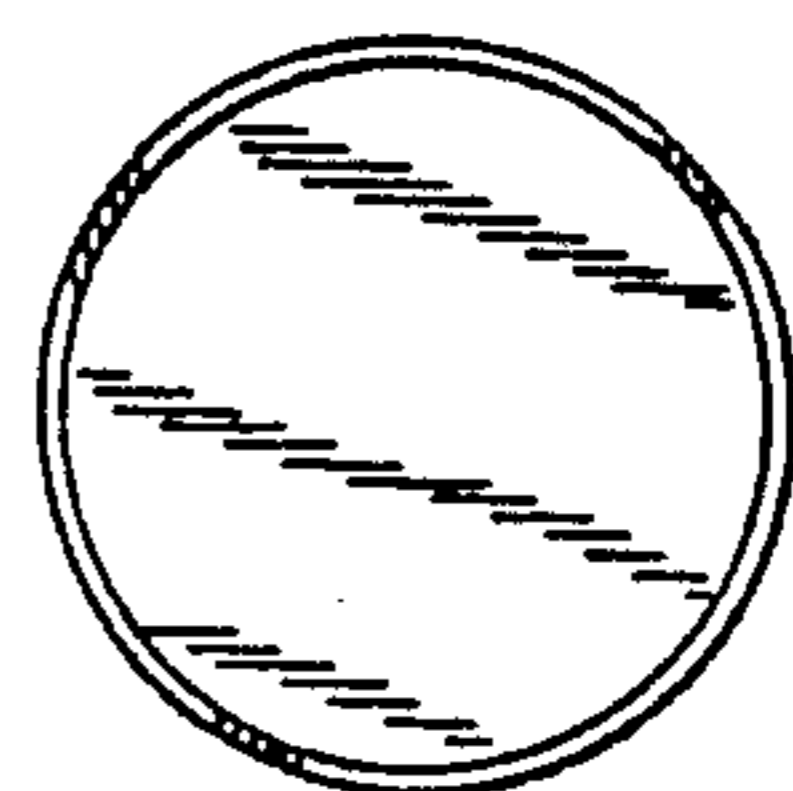


FIG. 12