



US00D323720S

United States Patent [19]

[11] Patent Number: **Des. 323,720**

Leung

[45] Date of Patent: **** Feb. 4, 1992**

[54] **ASHTRAY**

D. 125,476 2/1941 Schylander D27/133

[75] Inventor: **Ka L. Leung, Shatin, Hong Kong**

D. 143,613 9/1945 Meyers D27/129

[73] Assignee: **Happy Town Ind. Ltd., Shatin, Hong Kong**

D. 159,468 8/1950 Becker D27/129

[**] Term: **14 Years**

Primary Examiner—Wallace R. Burke

Assistant Examiner—H. Baynham

Attorney, Agent, or Firm—Burns, Doane, Swecker & Mathis

[21] Appl. No.: **565,614**

[57] CLAIM

[22] Filed: **Aug. 10, 1990**

The ornamental design for an ashtray, as shown and described.

[30] Foreign Application Priority Data

Apr. 2, 1990 [GB] United Kingdom 2005836

[52] U.S. Cl. **D27/102**

[58] Field of Search D27/102, 109, 124, 128, D27/133, 135, 138, 139; 131/231-242.6

DESCRIPTION

[56] References Cited

U.S. PATENT DOCUMENTS

D. 85,983 1/1932 Kirkpatrick D27/102

D. 112,808 1/1939 Dolgorukov D27/102 X

FIG. 1 is the perspective view of an ashtray showing my new design;

FIG. 2 is the front elevational view thereof;

FIG. 3 is the rear elevational view thereof;

FIG. 4 is the left side elevational view thereof;

FIG. 5 is the right side view elevational view thereof;

FIG. 6 is the top plan view thereof; and

FIG. 7 is the bottom plan view thereof.

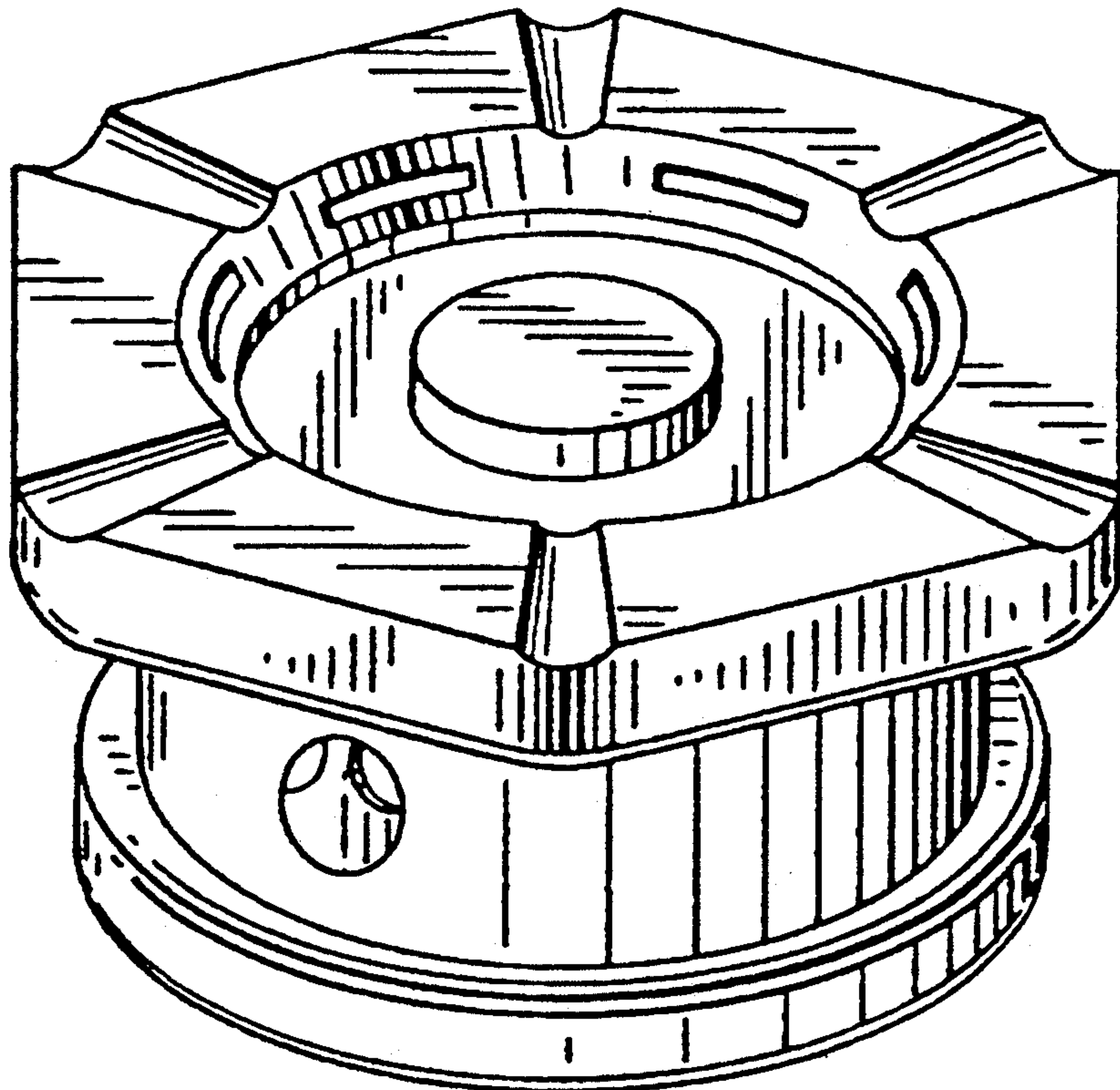


FIG. 1

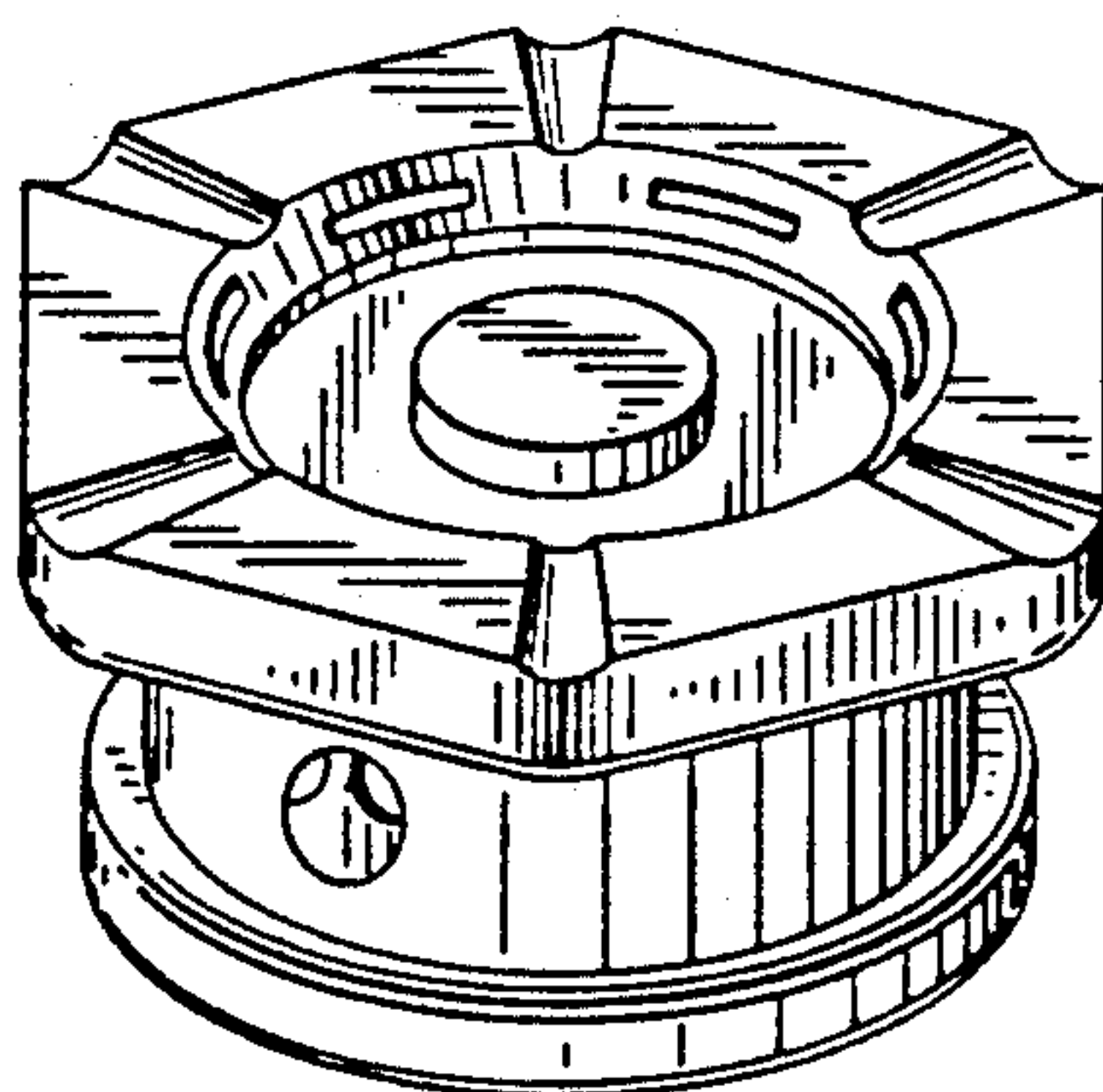


FIG. 2

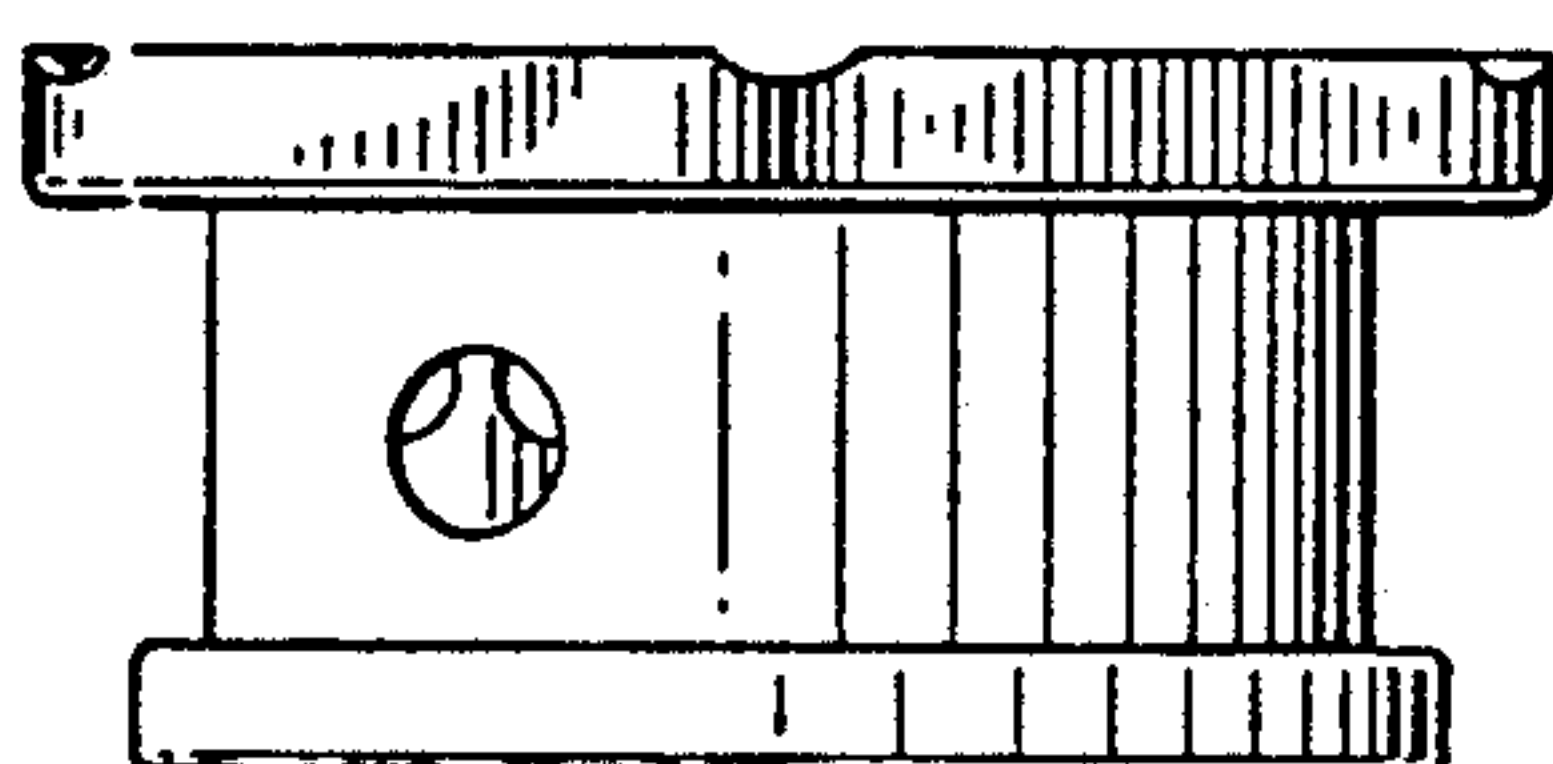


FIG. 3

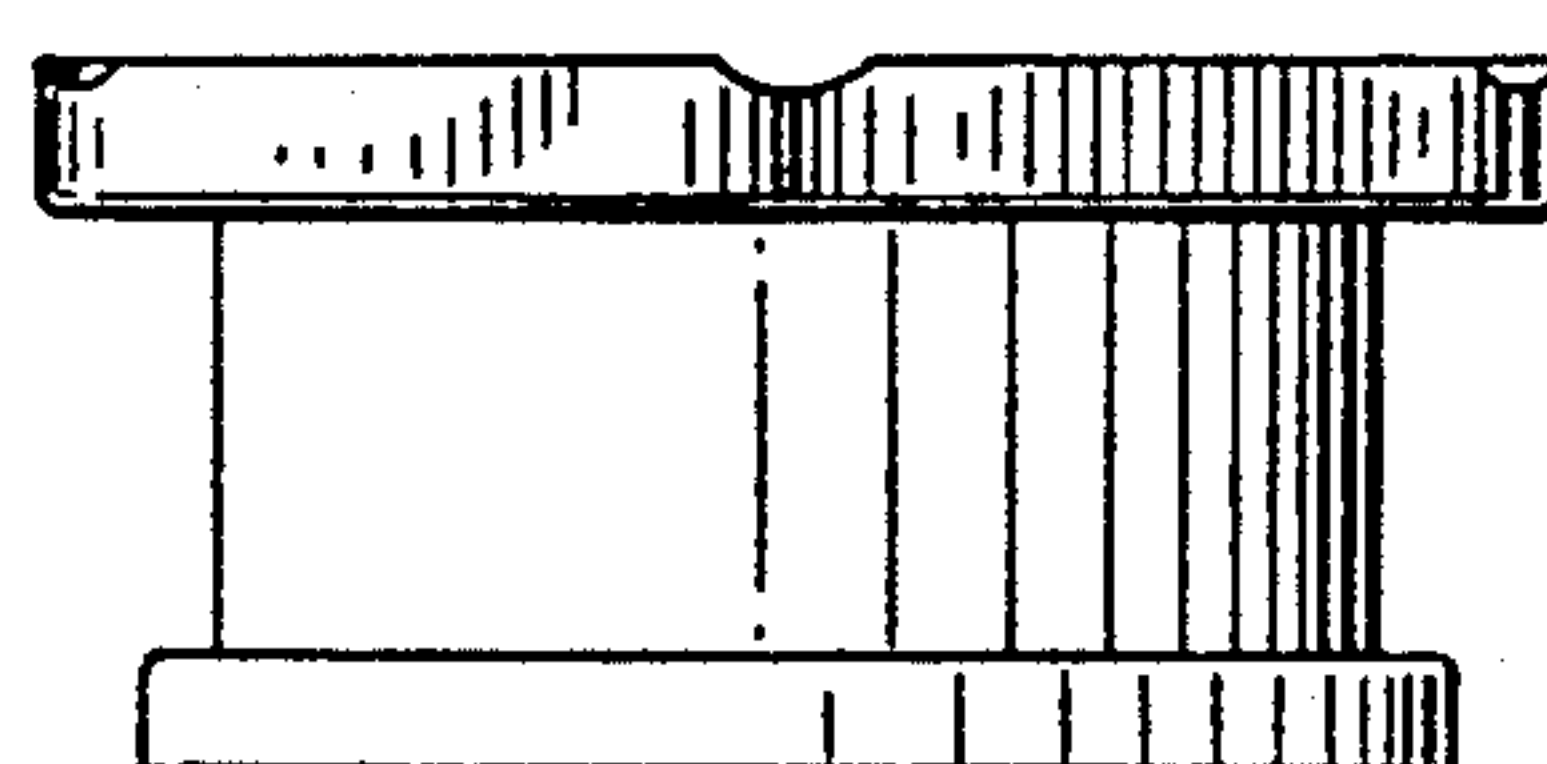


FIG. 4

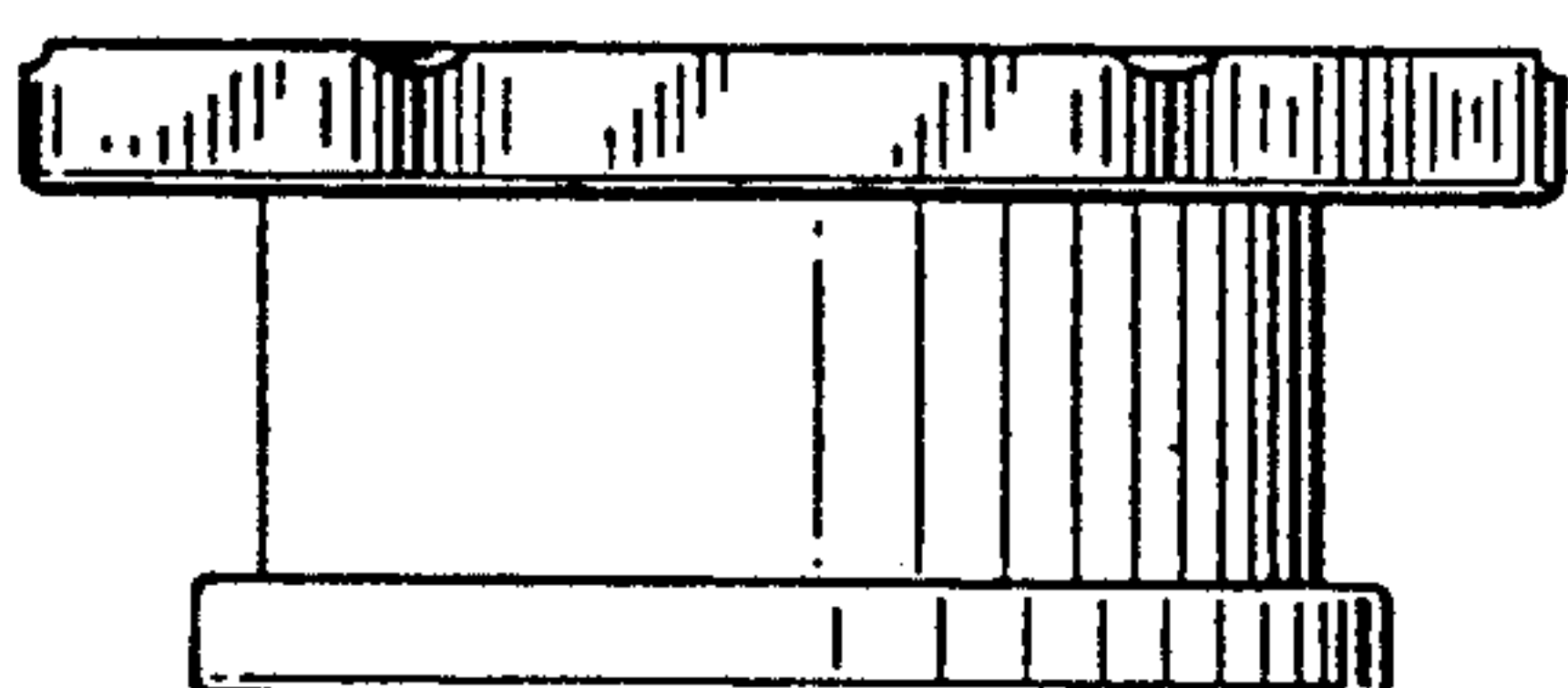


FIG. 5

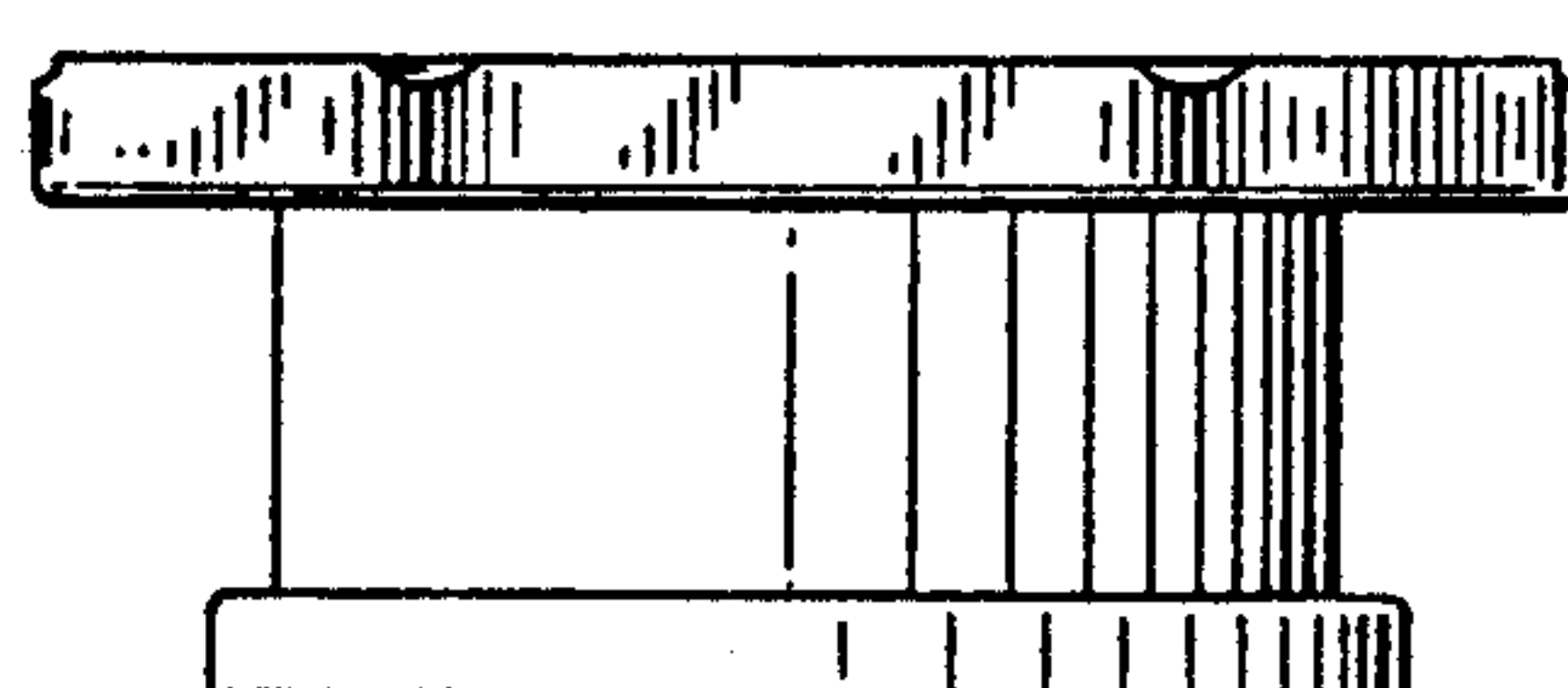


FIG. 6

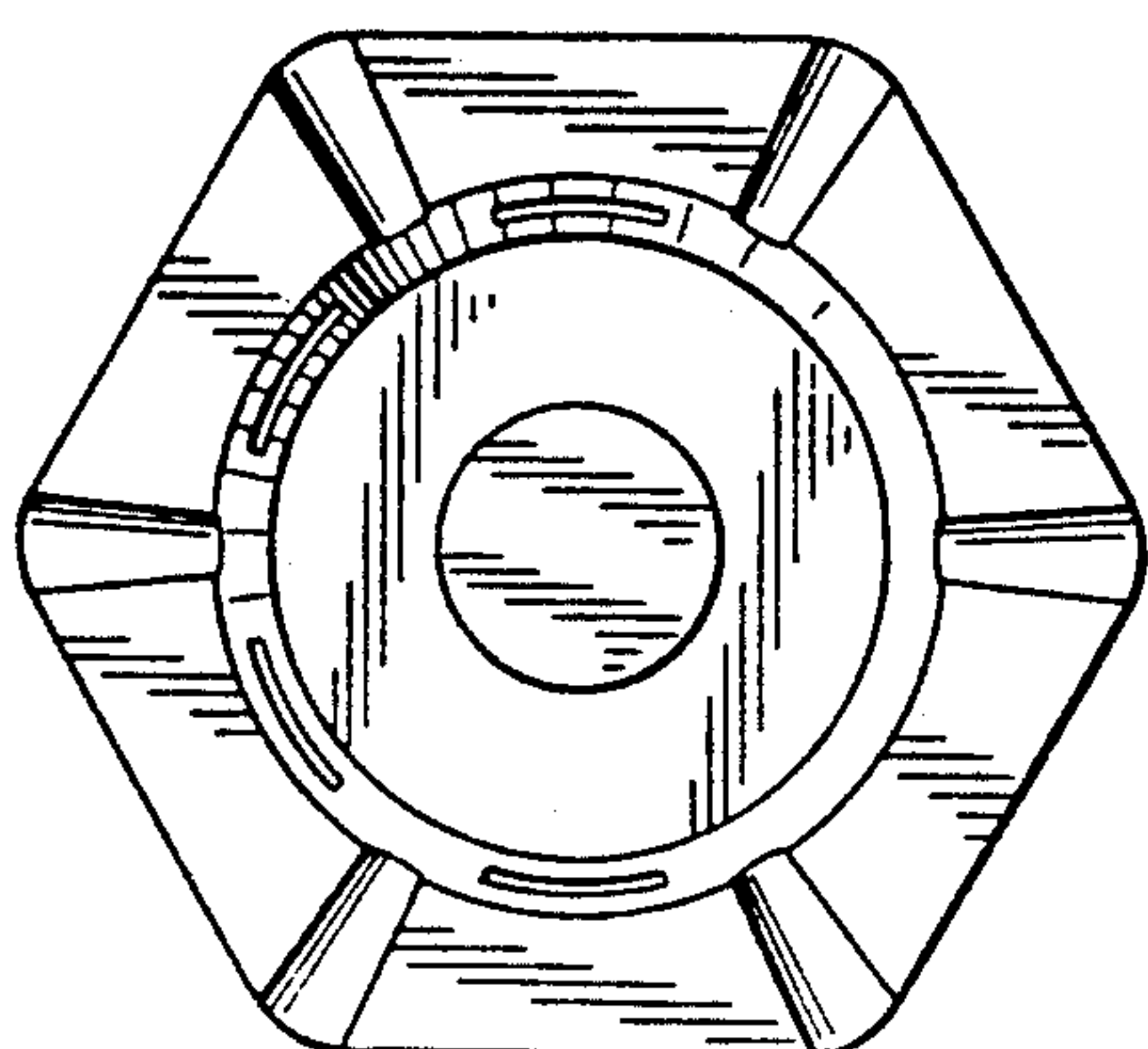


FIG. 7

