



US00D323718S

# United States Patent [19]

[11] Patent Number: **Des. 323,718**

Layne

[45] Date of Patent: **\*\* Feb. 4, 1992**

[54] **TRACK LIGHTING FIXTURE**

4,814,955 3/1989 Price ..... 362/275

[75] Inventor: **Bruce N. Layne, Wheaton, Ill.**

*Primary Examiner*—Susan J. Lucas  
*Attorney, Agent, or Firm*—Jackie Lee Duke; Nelson A. Blish; Alan R. Thiele

[73] Assignee: **Cooper Industries, Inc., Houston, Tex.**

[\*] Notice: The portion of the term of this patent subsequent to Mar. 12, 2008 has been disclaimed.

[57] **CLAIM**

The ornamental design for a track lighting fixture, as shown and described.

[\*\*] Term: **14 Years**

**DESCRIPTION**

[21] Appl. No.: **371,964**

FIG. 1 is a top, front perspective view of a track lighting fixture showing my new design;

[22] Filed: **Jun. 23, 1989**

FIG. 2 is a top plan view thereof on a reduced scale;

[52] U.S. Cl. .... **D26/63**

FIG. 3 is a front elevational view thereof on a reduced scale;

[58] Field of Search ..... **D26/60-66,  
D26/24; 362/267, 275, 285, 418, 419, 427, 147,  
362**

FIG. 4 is a left side elevational thereof on a reduced scale;

FIG. 5 is a bottom plan view thereof on a reduced scale;

FIG. 6 is a bottom, rear perspective view thereof;

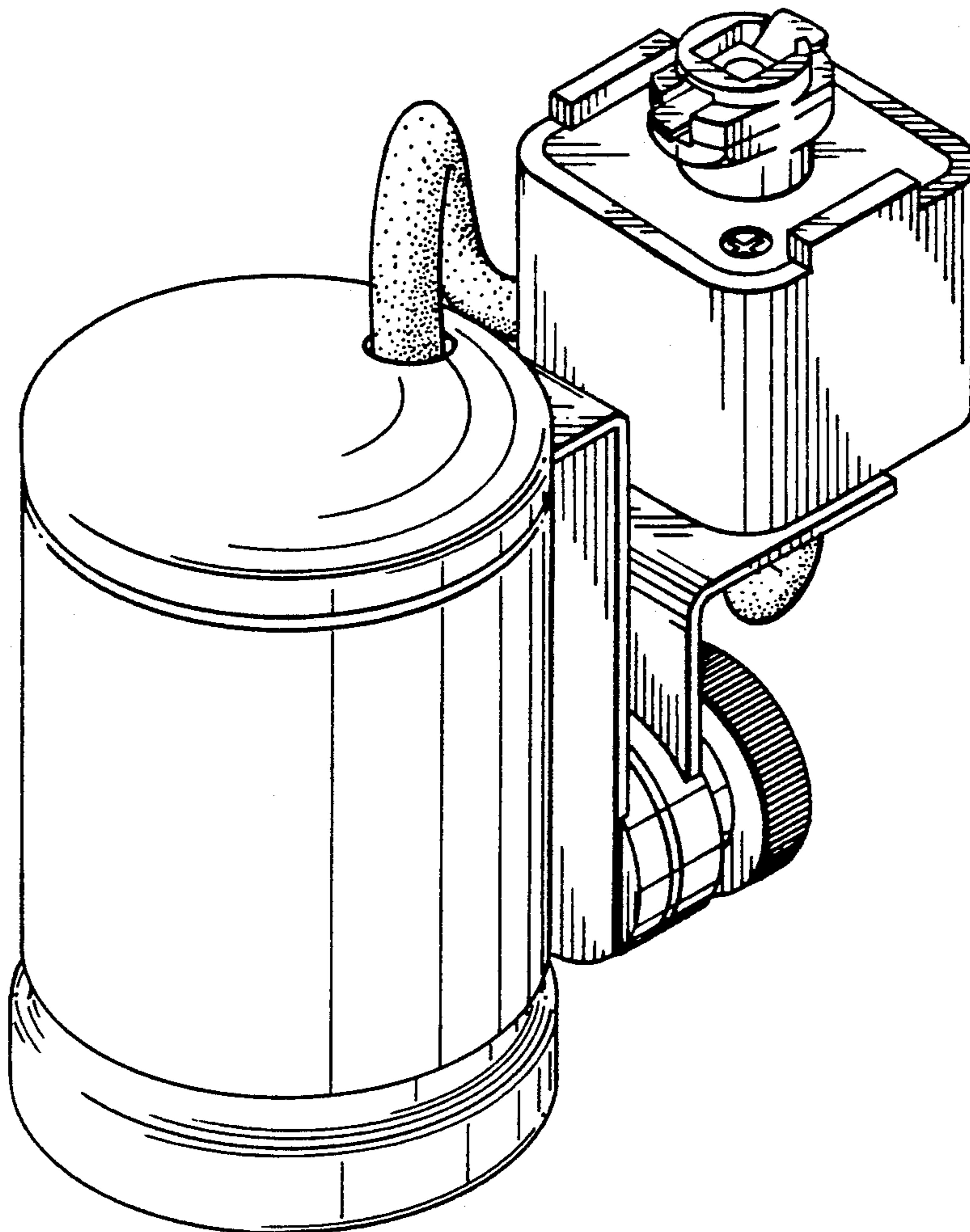
FIG. 7 is a right side elevational view thereof on a reduced scale; and

FIG. 8 is a rear elevational view thereof on a reduced scale.

[56] **References Cited**

**U.S. PATENT DOCUMENTS**

D. 315,419 3/1991 Layne ..... D26/63  
4,112,486 9/1978 Tovi ..... 362/275 X



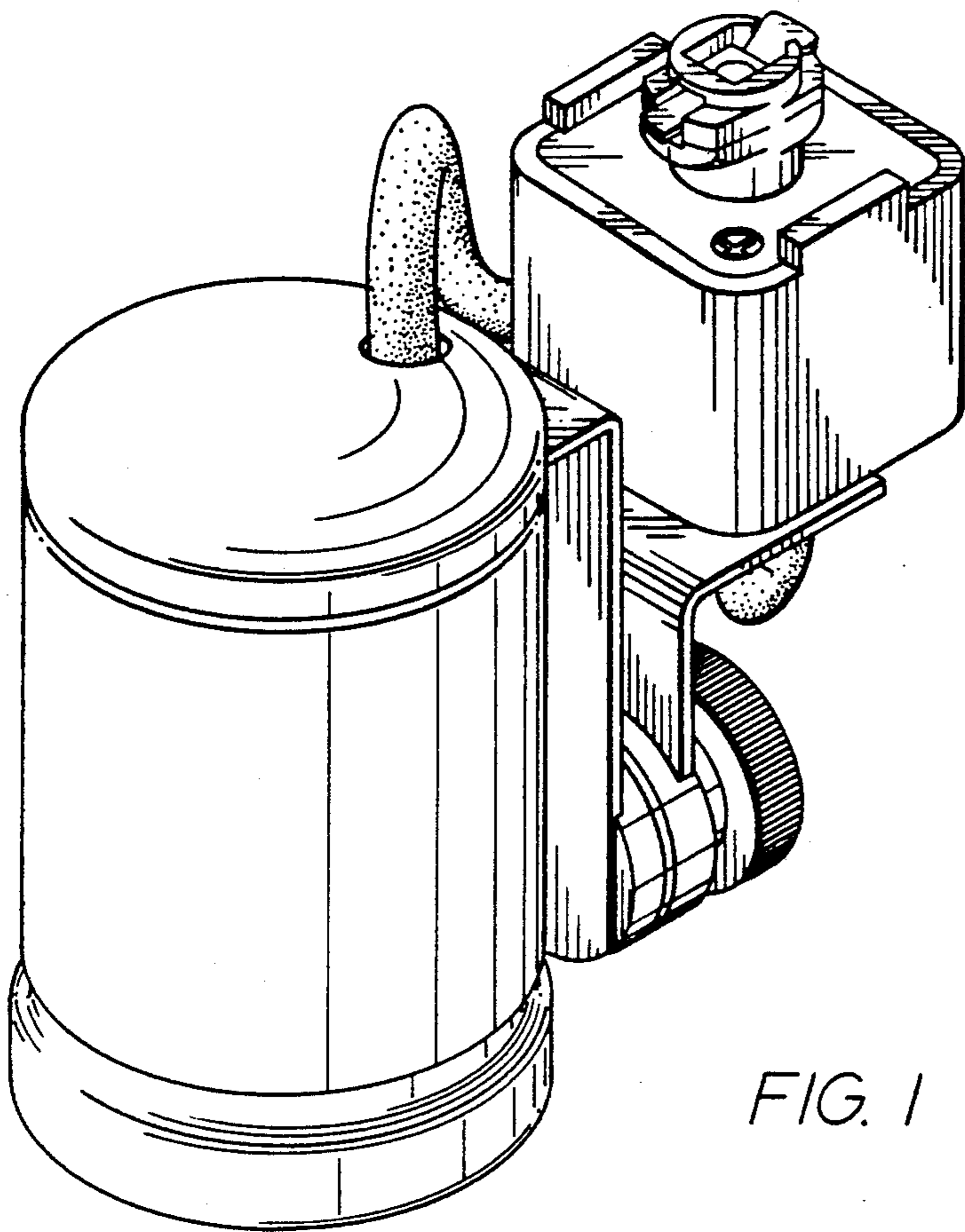


FIG. 1

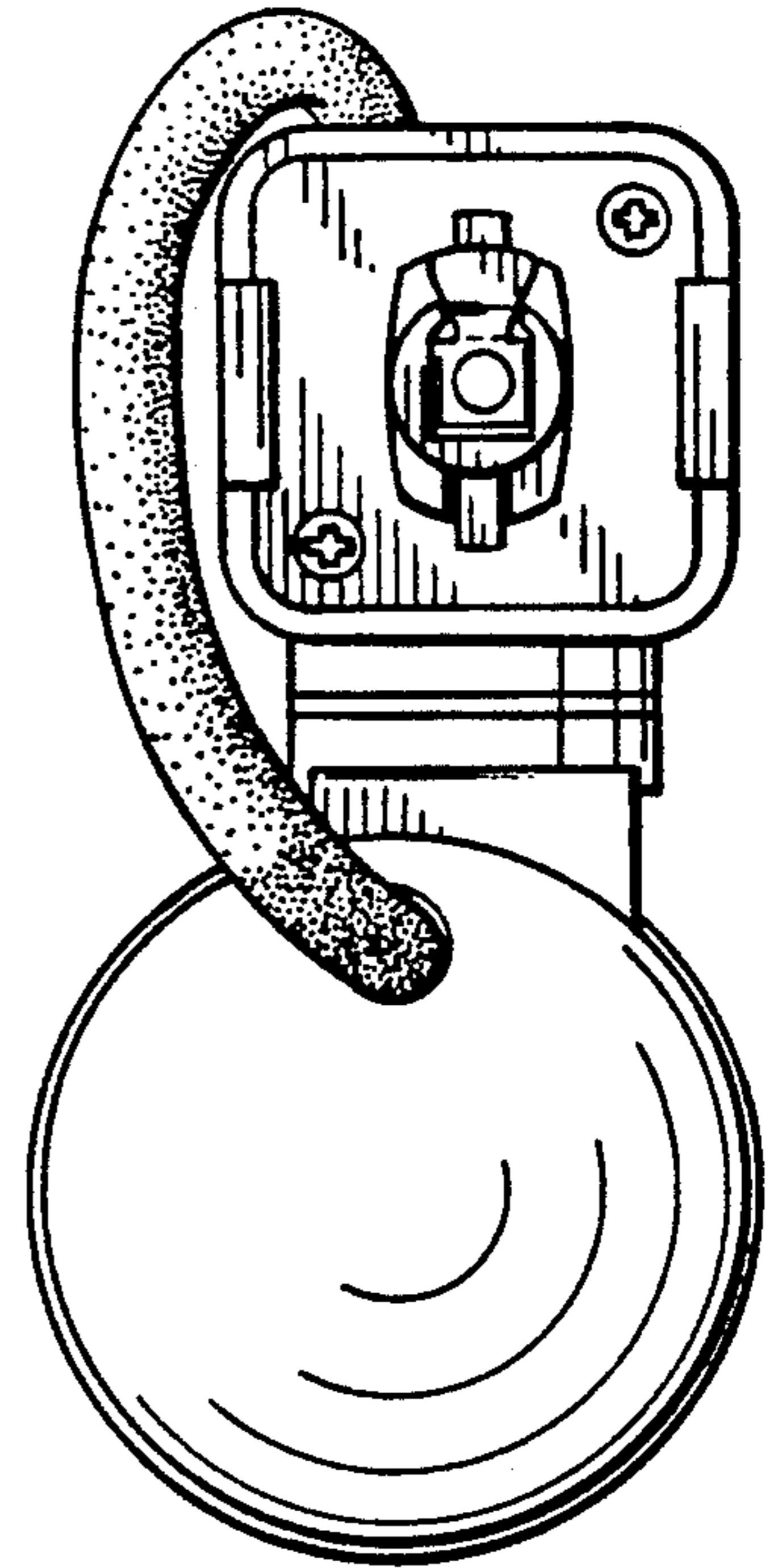


FIG. 2

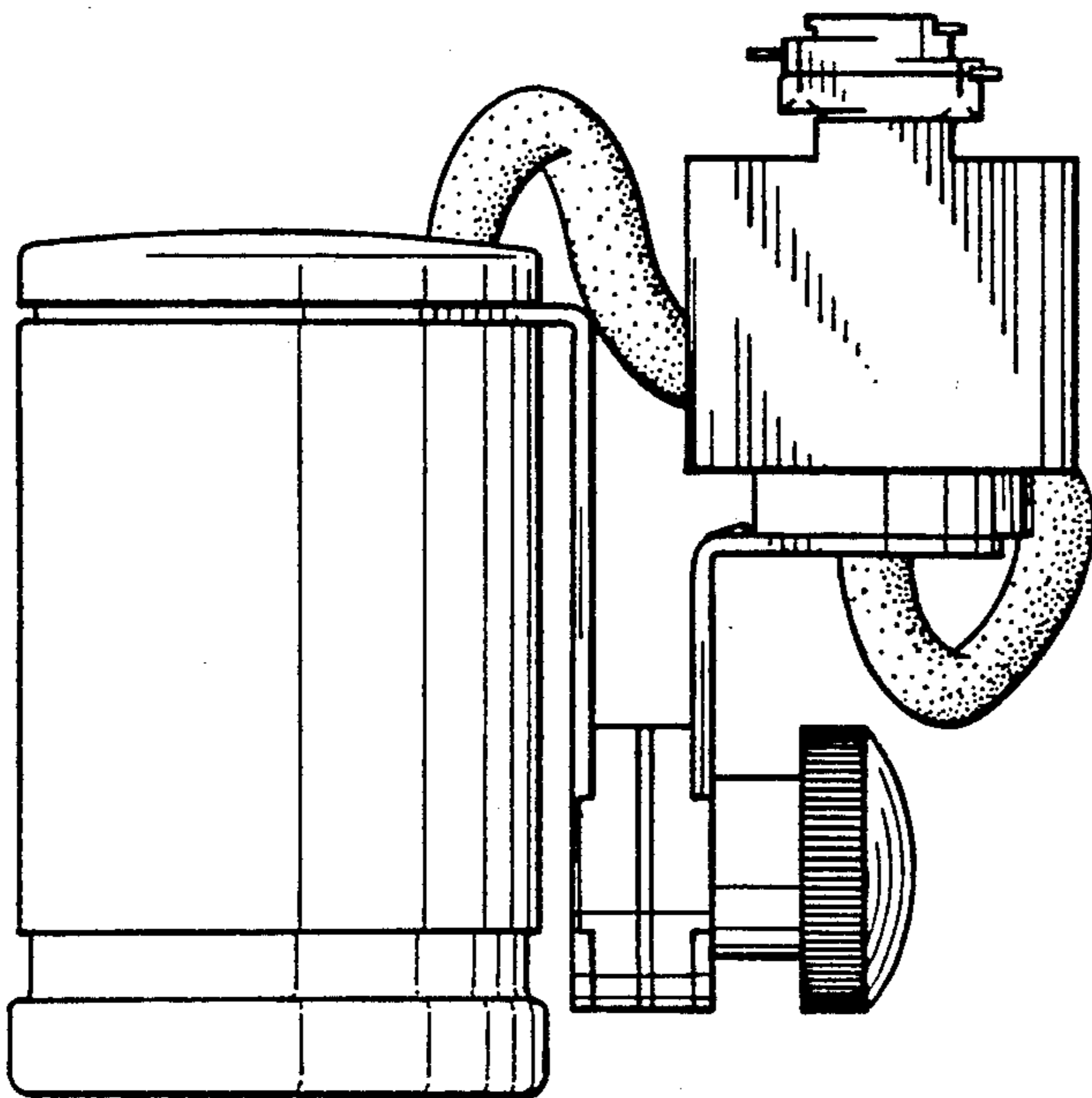


FIG. 3

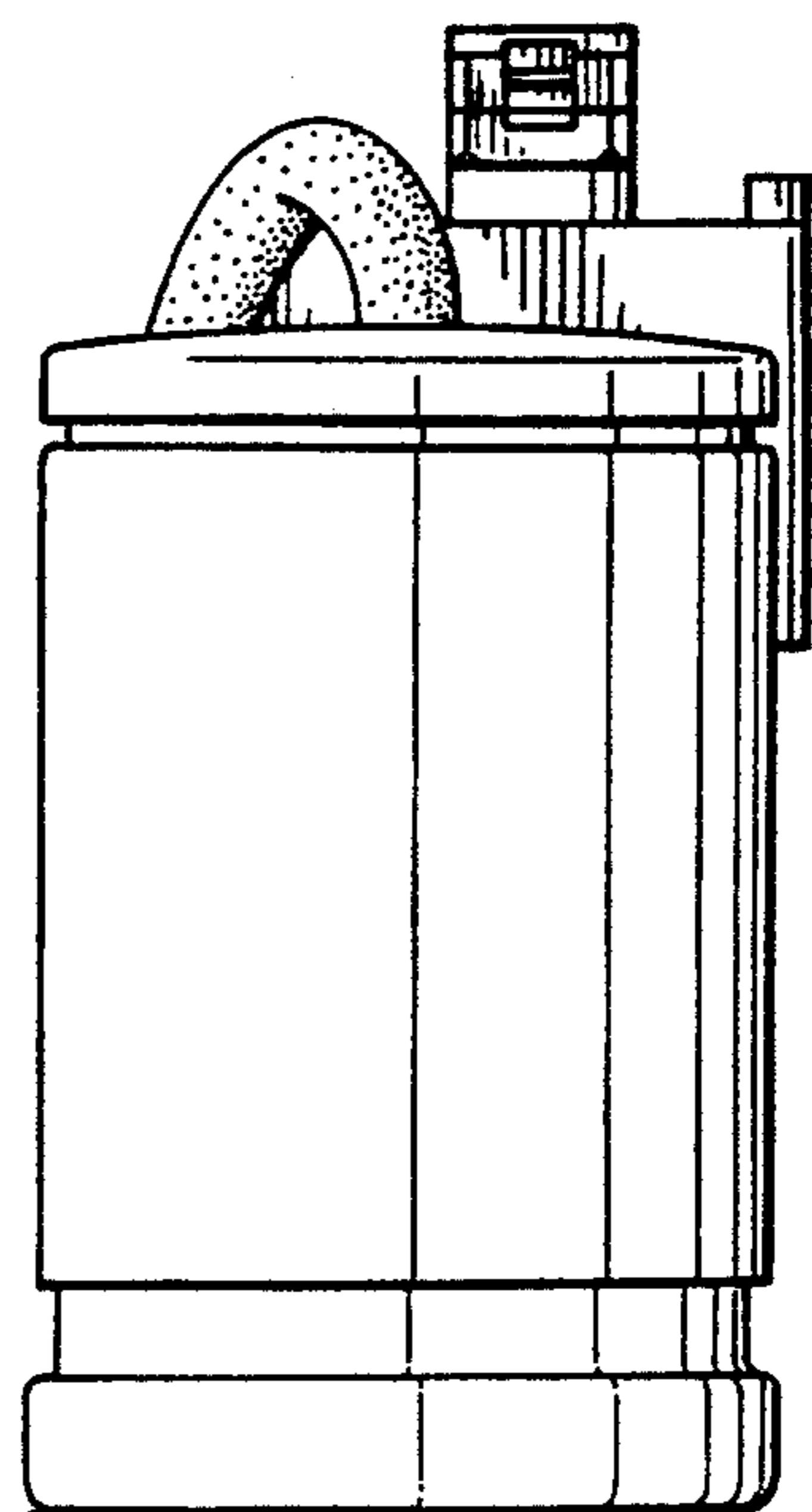


FIG. 4

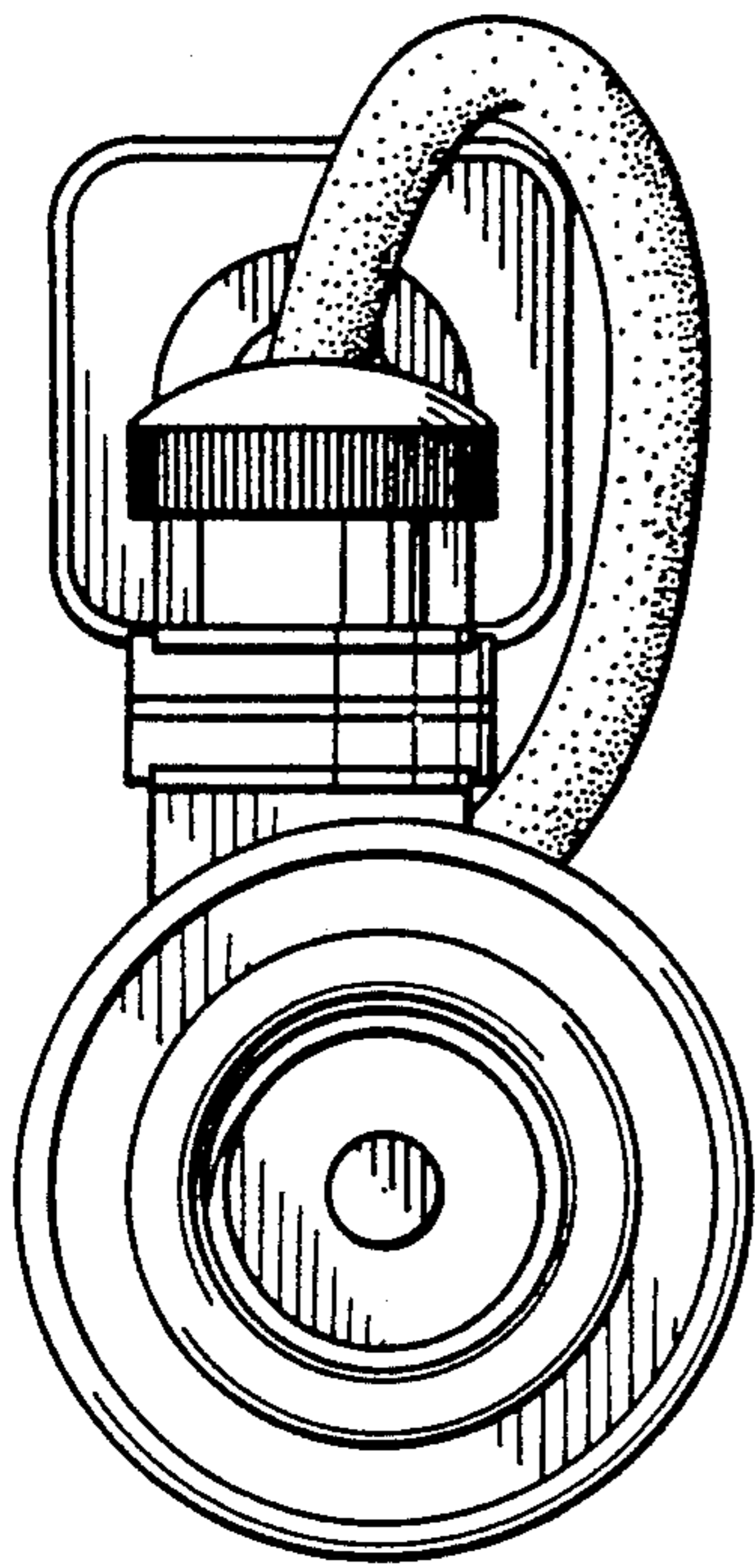


FIG. 5

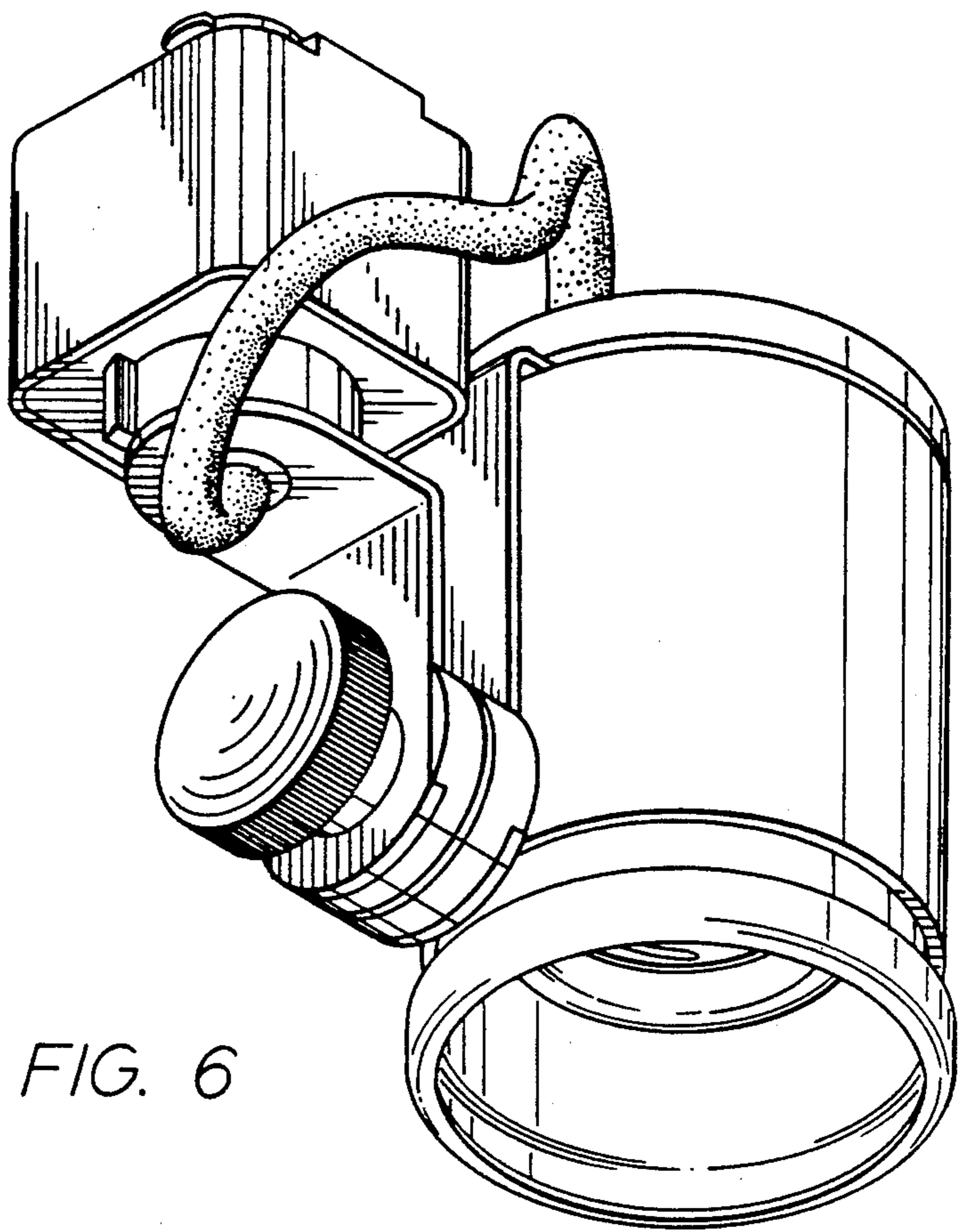


FIG. 6

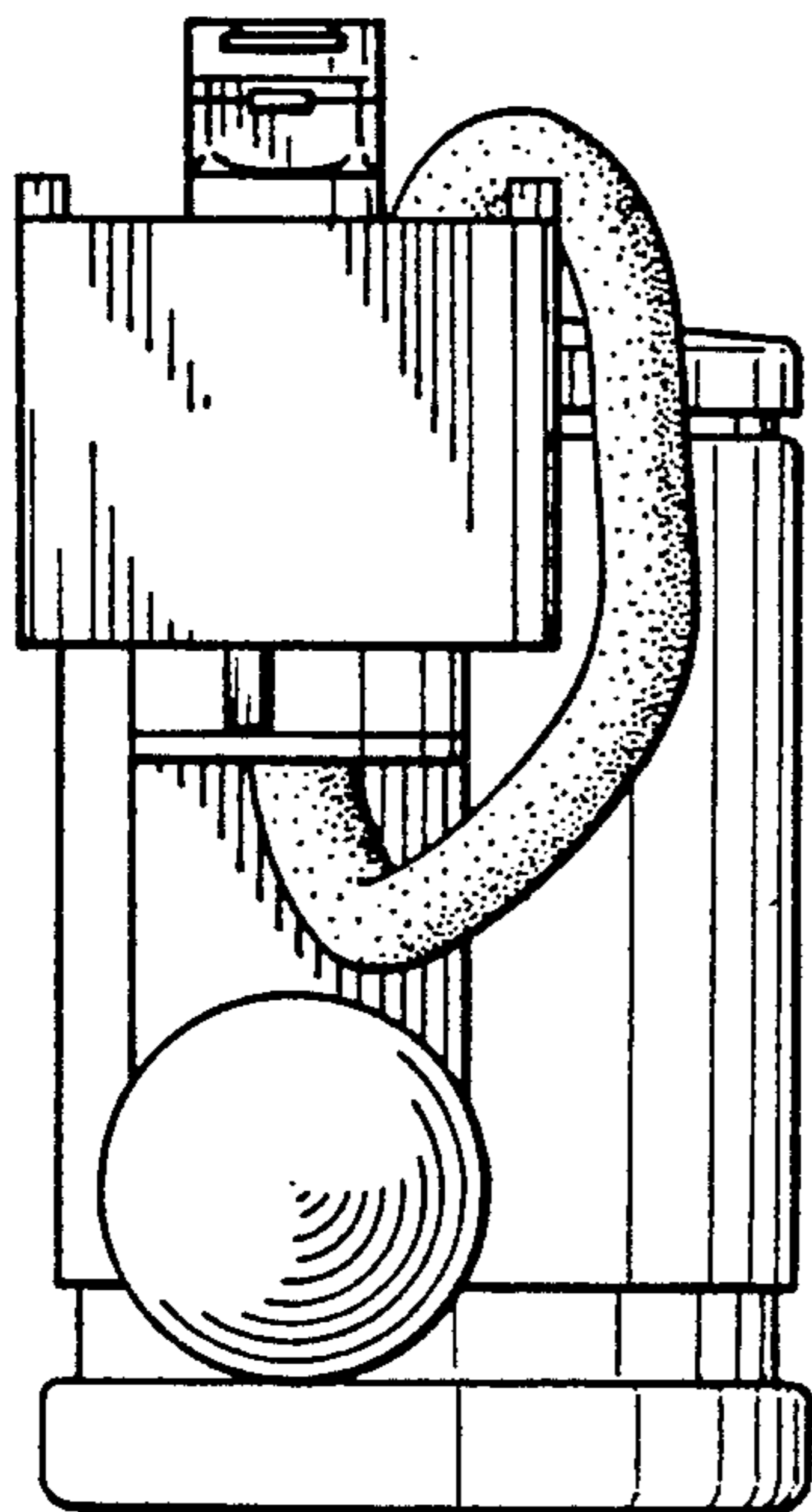


FIG. 7

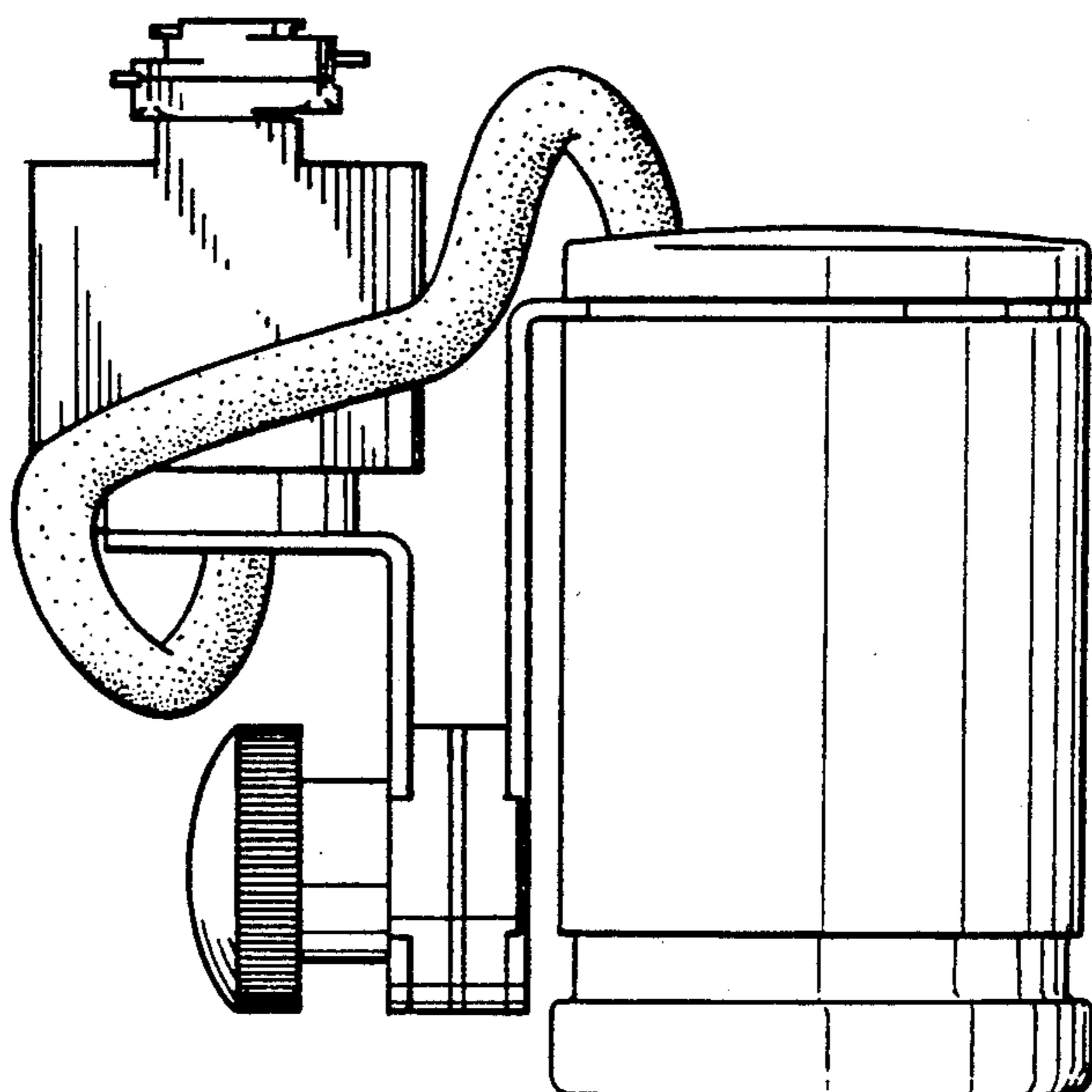


FIG. 8

UNITED STATES PATENT AND TRADEMARK OFFICE  
CERTIFICATE OF CORRECTION

PATENT NO. : DES. 323,718  
DATED : Feb. 4, 1992  
INVENTOR(S) : Bruce N. Layne

It is certified that error appears in the above—identified patent and that said Letters Patent is hereby corrected as shown below:

Title Page:

"[\*] Notice: The portion of the term of this patent subsequent to Mar. 12, 2008 has been disclaimed."

Should read as follows:

--[\*] Notice: The portion of the term of this patent subsequent to Mar. 12, 2005 has been disclaimed.--

Signed and Sealed this  
Fourth Day of May, 1993

Attest:



MICHAEL K. KIRK

Attesting Officer

Acting Commissioner of Patents and Trademarks