



US00D323717S

United States Patent [19]

[11] Patent Number: **Des. 323,717**

Fung

[45] Date of Patent: **** Feb. 4, 1992**

[54] COMBINED FLUORESCENT LANTERN AND FLASHLIGHT

[75] Inventor: **Shiu P. Fung, Tuen Mun, Hong Kong**

[73] Assignee: **Fatia Industrial Co., Ltd., Kowloon, Hong Kong**

[**] Term: **14 Years**

[21] Appl. No.: **429,340**

[22] Filed: **Oct. 31, 1989**

[52] U.S. Cl. **D26/44; D26/42**

[58] Field of Search **D26/37-50; 362/157, 158, 183-208**

[56] References Cited

U.S. PATENT DOCUMENTS

D. 316,455 4/1991 Krol D26/44

FOREIGN PATENT DOCUMENTS

561204 8/1958 Canada 362/196

OTHER PUBLICATIONS

Hong Kong Enterprise, 9-1985, p. 40, Swivel Fluorescent Lantern.

Primary Examiner—Susan J. Lucas
Attorney, Agent, or Firm—Burns, Doane, Swecker & Mathis

[57] CLAIM

The ornamental design for a combined fluorescent lantern and flashlight, as shown and described.

DESCRIPTION

FIG. 1 is a front, right side perspective view of a combined fluorescent lantern and flashlight showing my new design;

FIG. 2 is a front elevational view thereof;

FIG. 3 is a rear elevational view thereof;

FIG. 4 is a left side elevational view thereof;

FIG. 5 is a right side elevational view thereof;

FIG. 6 is a top plan view thereof;

FIG. 7 is a bottom plan view thereof; and

FIG. 8 is a rear, left side perspective view thereof with the fluorescent lantern rotated to an alternate position.

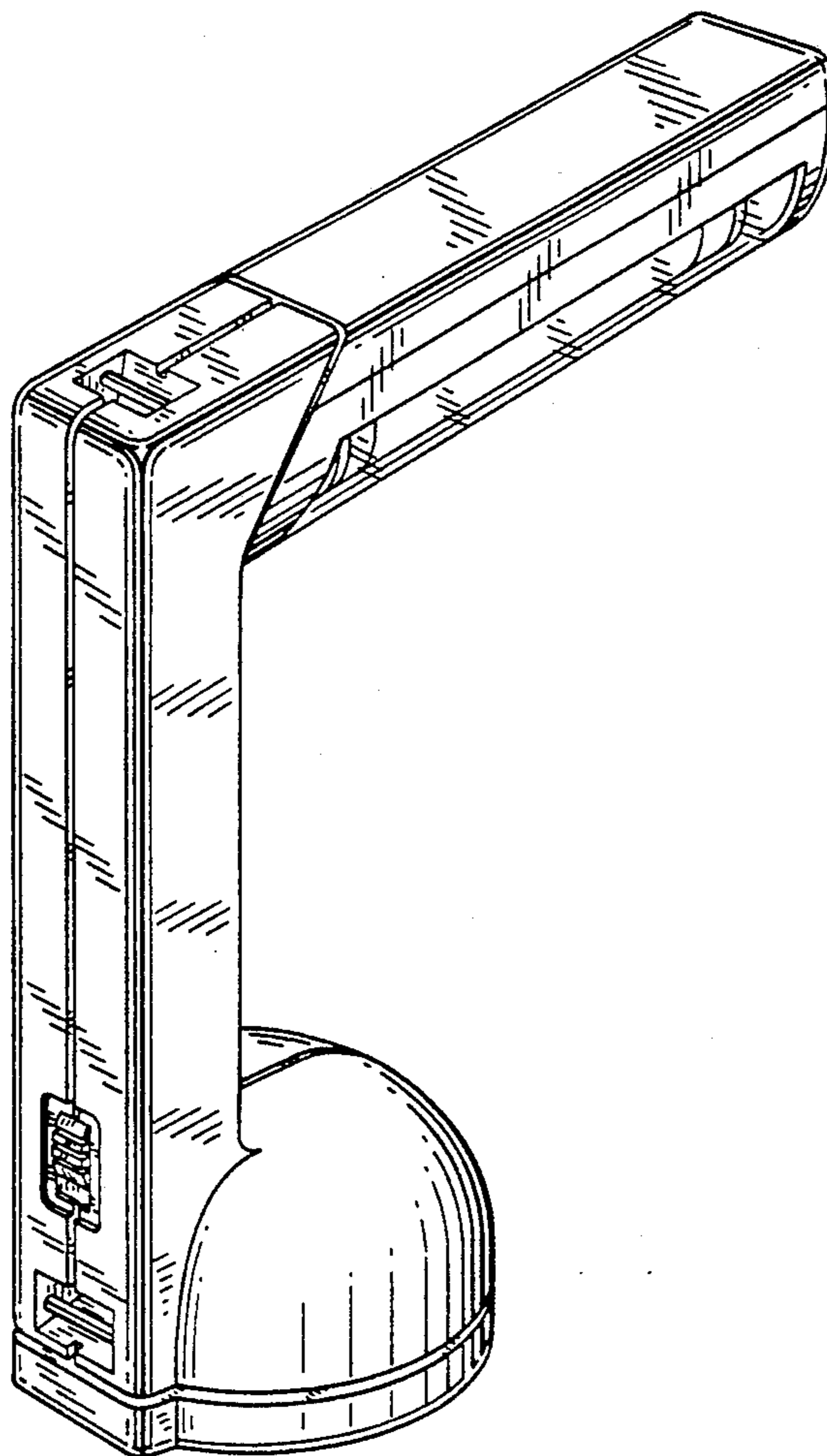


FIG. 1

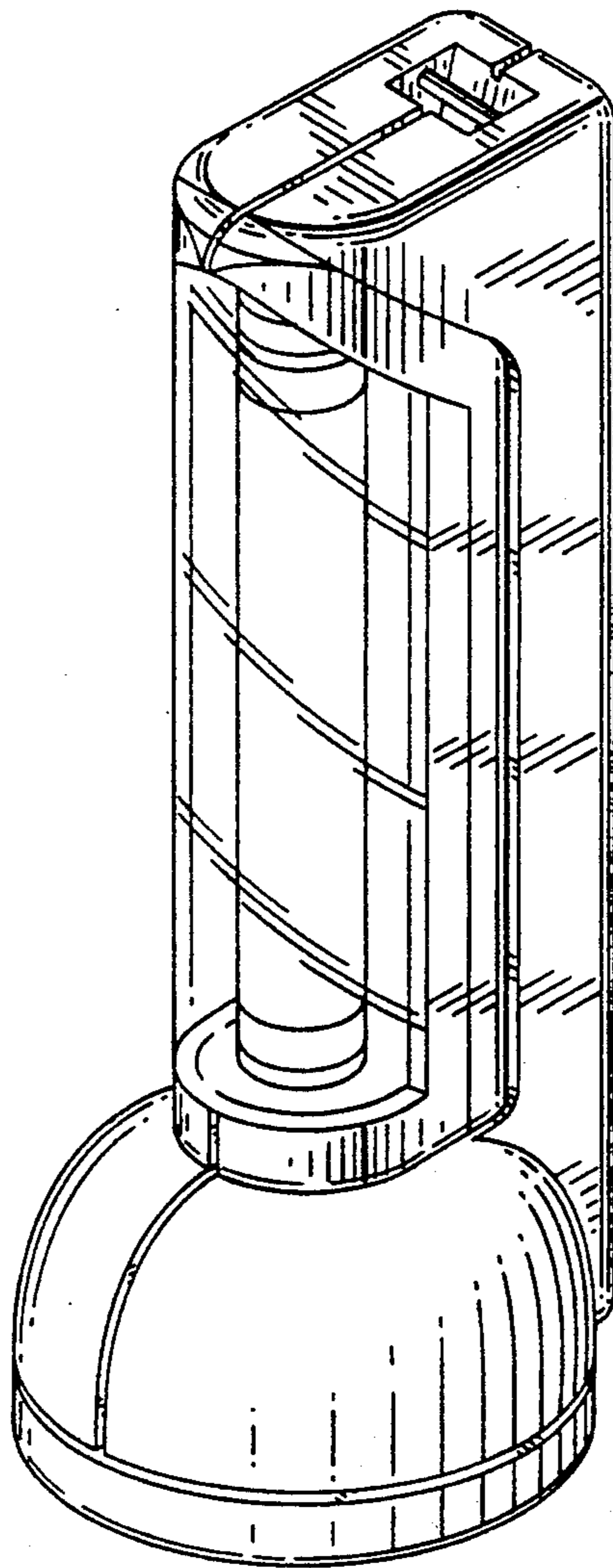


FIG. 2

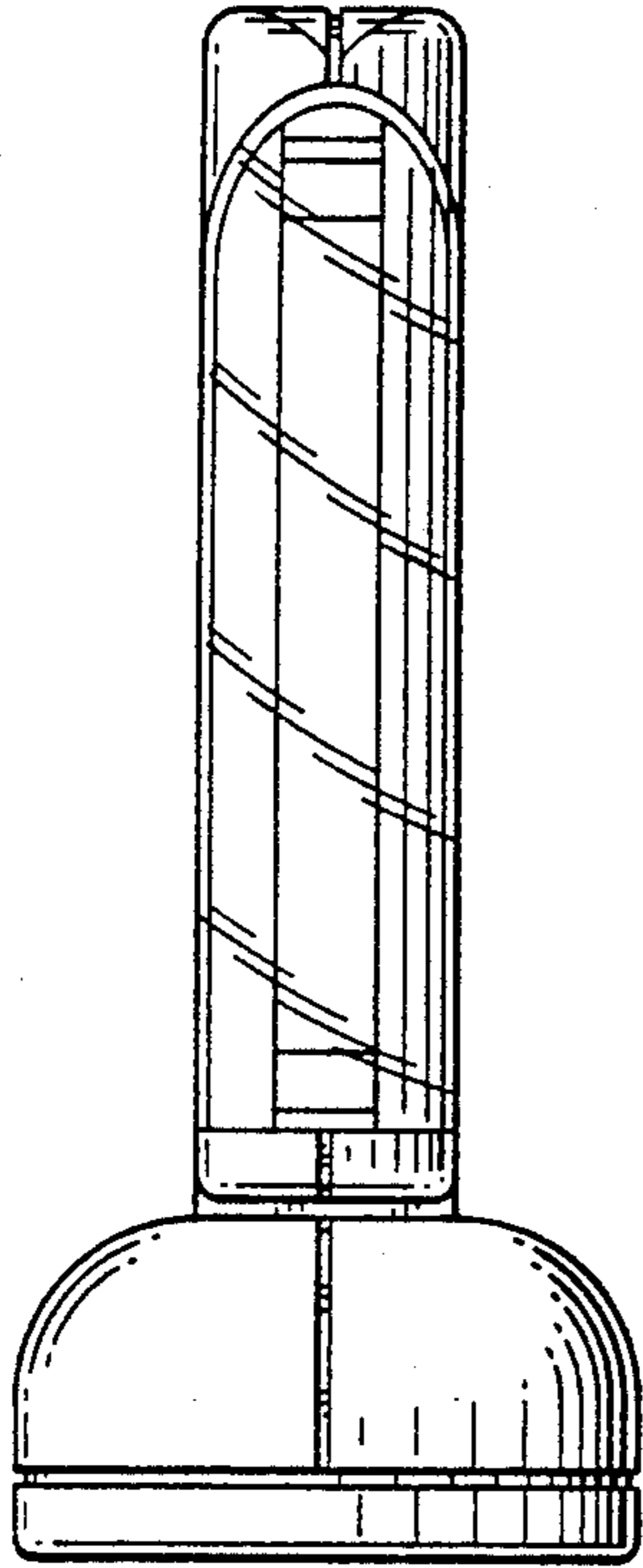


FIG. 4

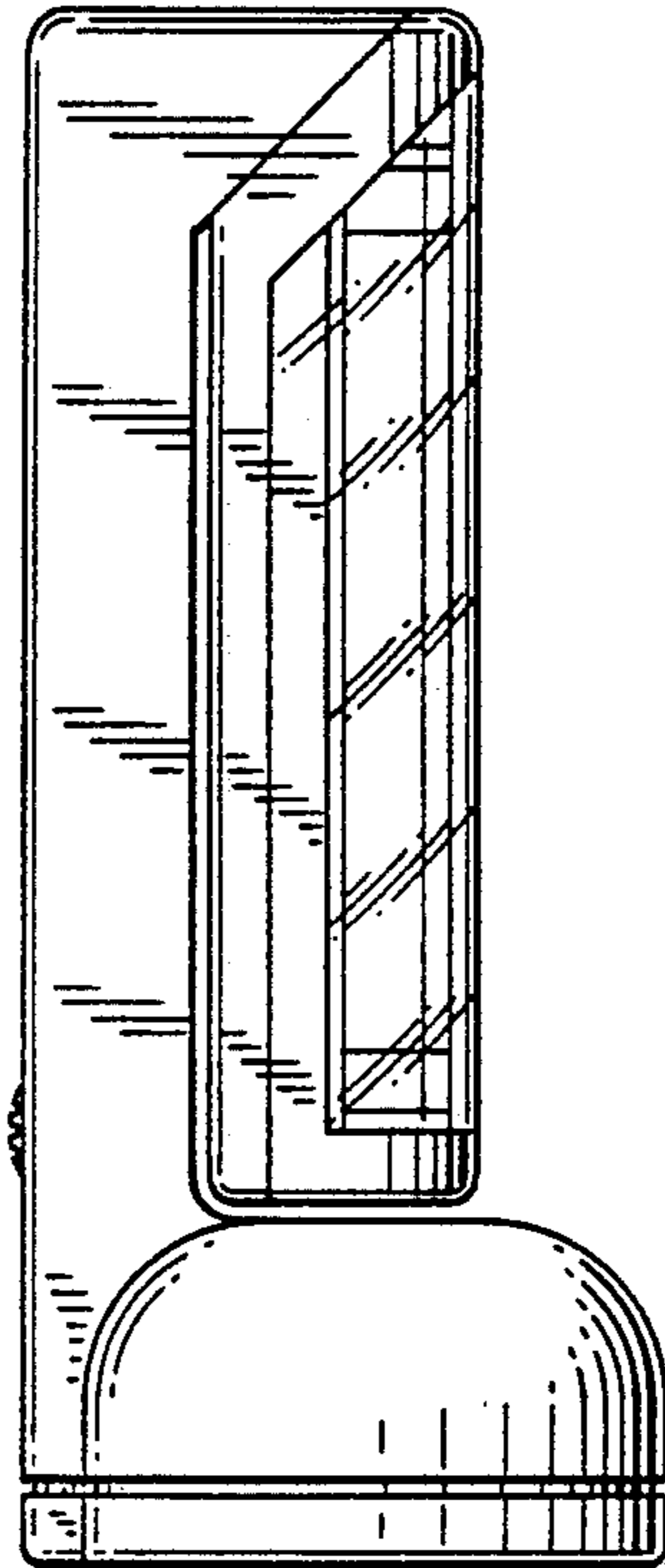


FIG. 3

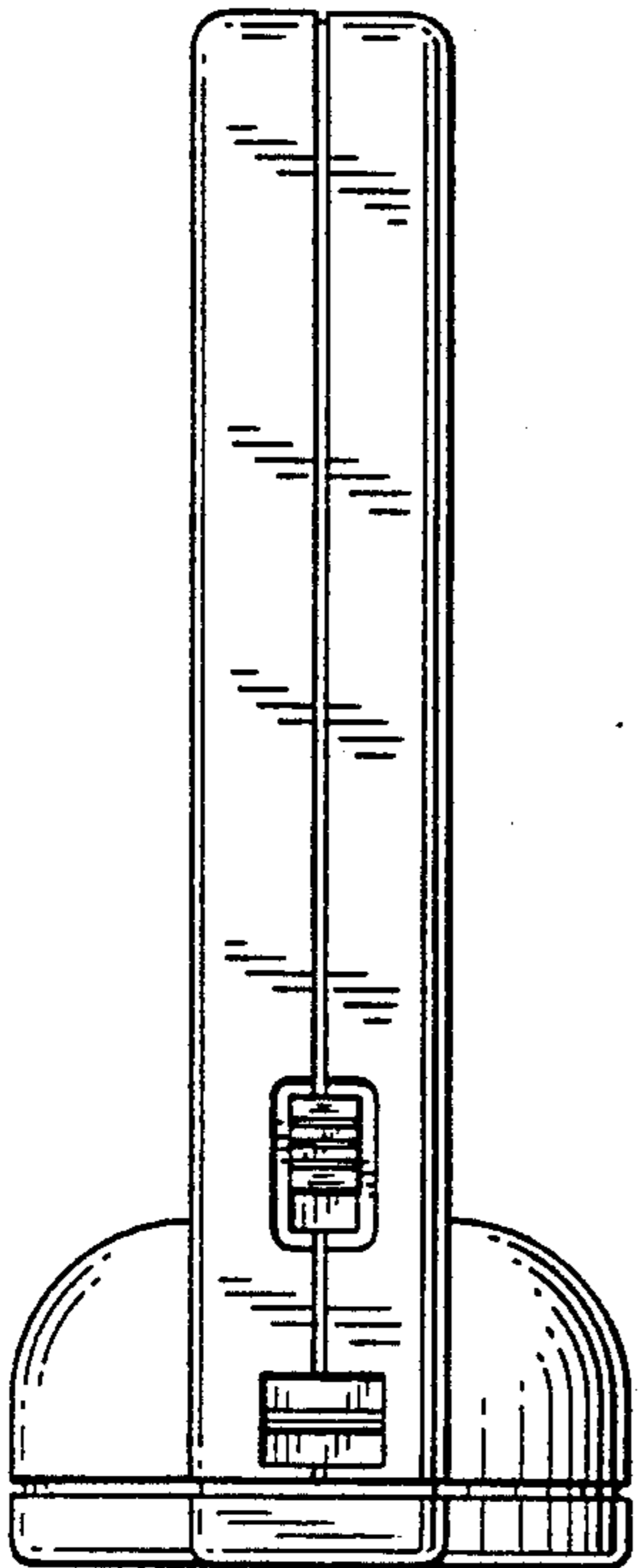


FIG. 5

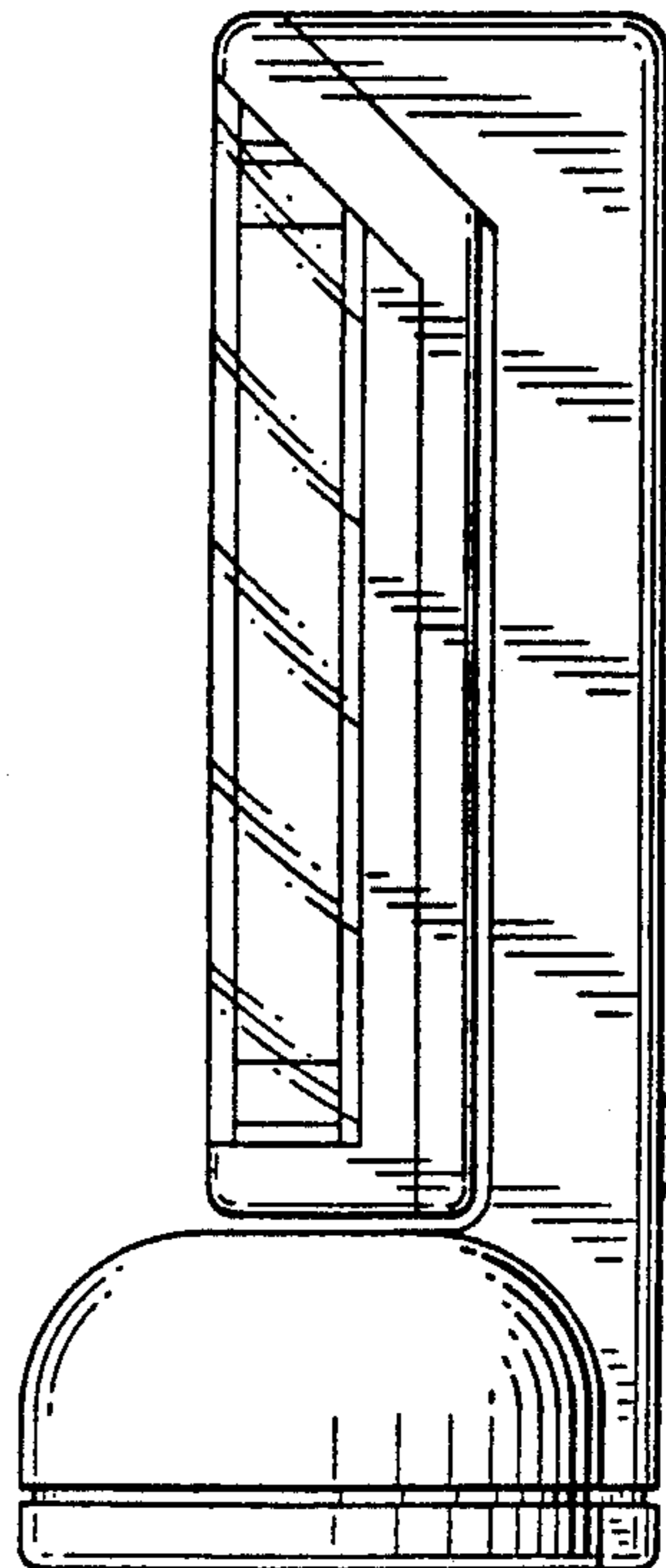


FIG. 6

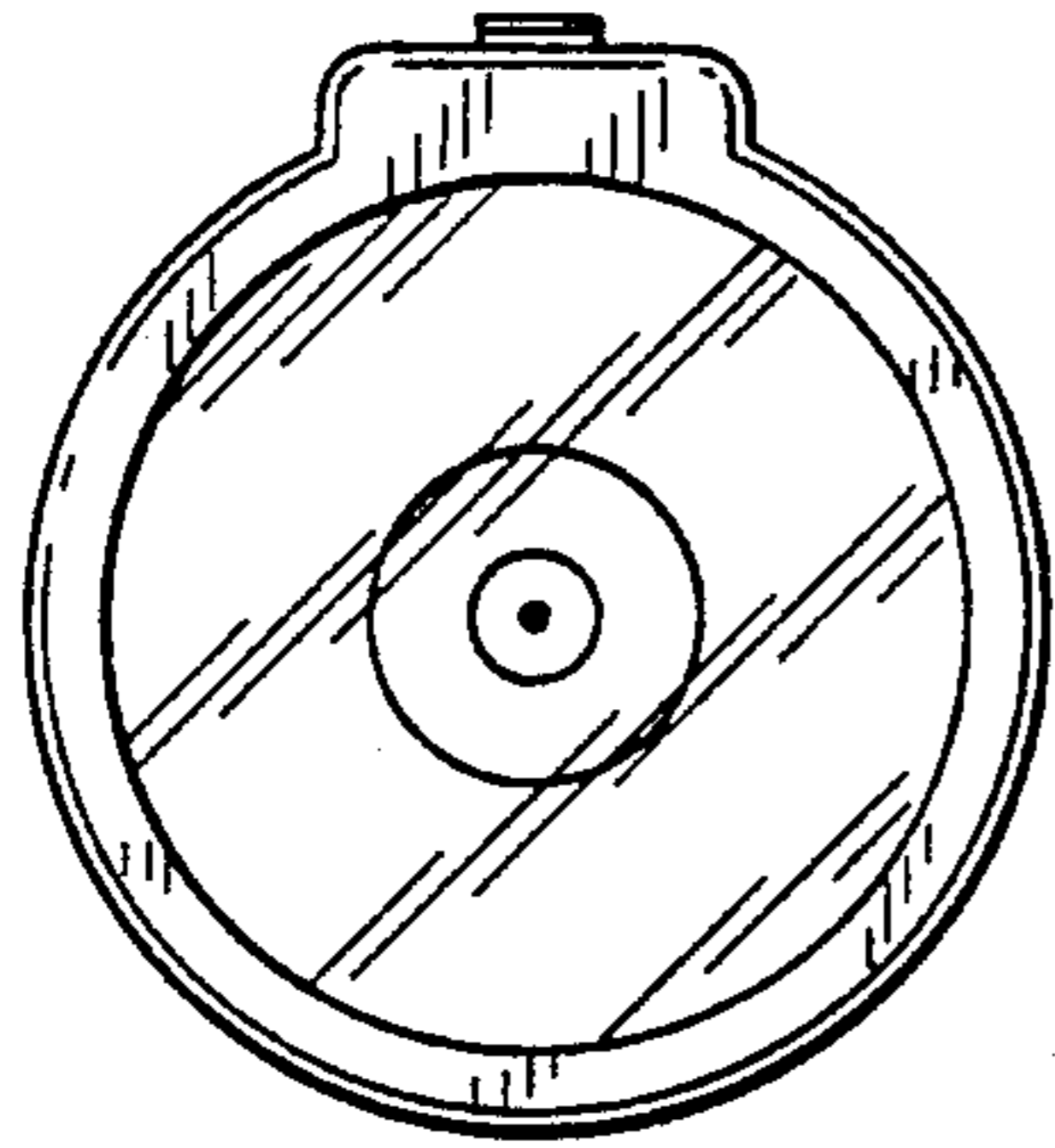


FIG. 7

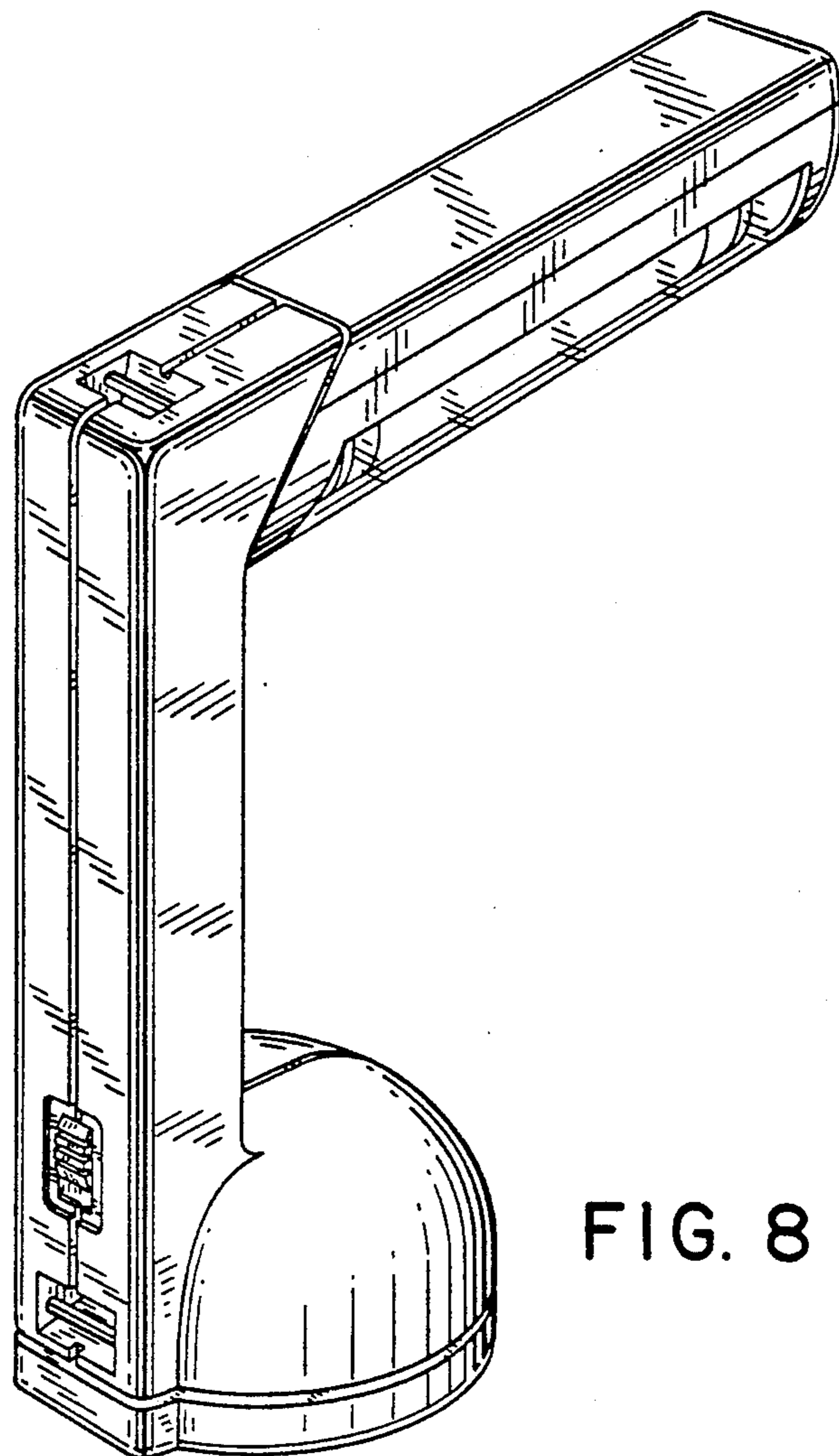
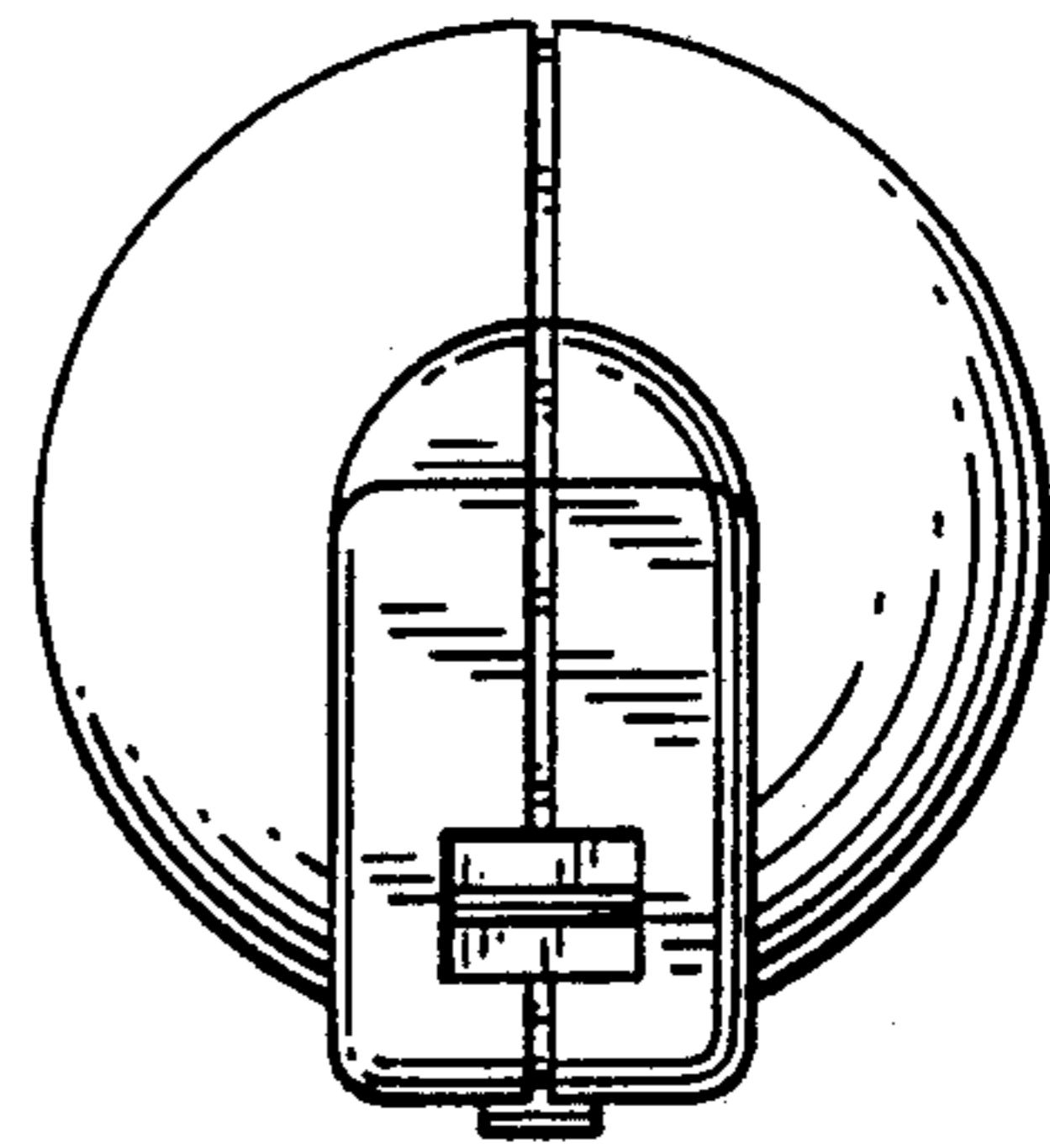


FIG. 8