



US00D323716S

United States Patent [19]

[11] Patent Number: **Des. 323,716**

Shook et al.

[45] Date of Patent: **** Feb. 4, 1992**

[54] **BRIDGE OVERHANG SUPPORT BRACKET**

4,522,000	6/1985	Barari	248/228 X
4,660,800	4/1987	Horstketter	249/211 X
4,846,433	7/1989	Courtois et al.	248/228 X
4,880,203	11/1989	Holcomb et al.	248/235 X

[75] Inventors: **Hal C. Shook, Kensington, Ga.; John F. Gourley, Chattanooga, Tenn.**

[73] Assignee: **Symons Corporation, Des Plaines, Ill.**

Primary Examiner—Wallace R. Burke
Assistant Examiner—H. Bayham
Attorney, Agent, or Firm—Charles F. Meroni, Jr.

[**] Term: **14 Years**

[21] Appl. No.: **296,587**

[57] **CLAIM**

[22] Filed: **Jan. 13, 1989**

The ornamental design for a bridge overhang support bracket, as shown.

[52] U.S. Cl. **D25/127**

[58] Field of Search **D25/127, 61, 62;**
249/24, 25, 29, 211; 248/235, 228; D8/381;
182/82

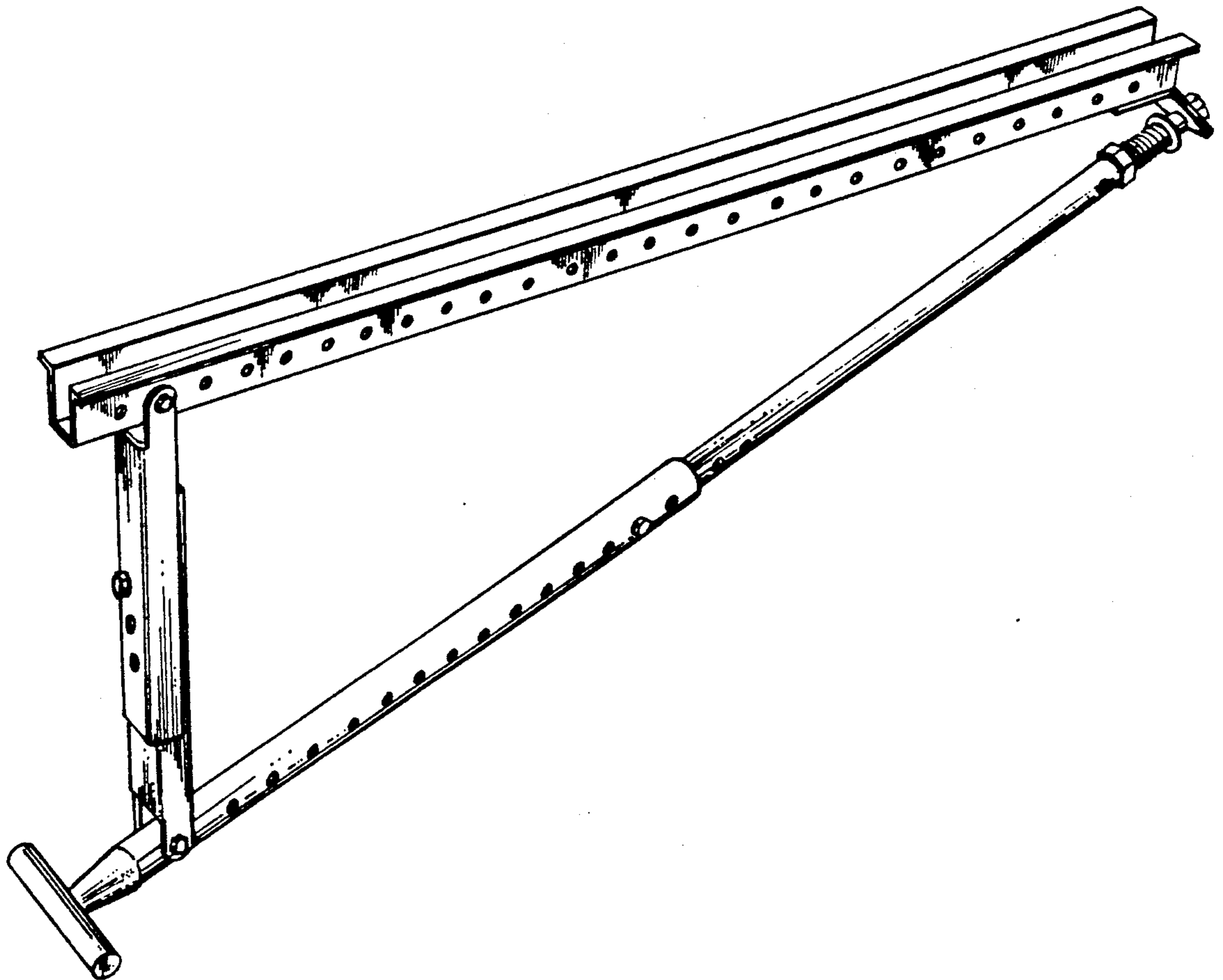
DESCRIPTION

[56] **References Cited**

U.S. PATENT DOCUMENTS

D. 306,488	3/1990	Mosburg	D25/62
3,122,347	2/1964	Robinson et al.	248/228 X
3,807,681	4/1974	Kane et al.	249/29
4,123,031	10/1978	Hyre	249/24
4,179,090	12/1979	Williams et al.	248/235
4,452,336	6/1984	Sickler	248/235 X

FIG. 1 is a front perspective view of a bridge overhang support bracket showing our new design; FIG. 2 is a rear elevational view thereof; FIG. 3 is a left side elevational view thereof; FIG. 4 is a top plan view thereof; FIG. 5 is a front elevational view thereof; FIG. 6 is a bottom plan view thereof; and FIG. 7 is a perspective view of a second embodiment of the design shown in FIG. 1, the only difference residing in the appearance of the diagonal jack member.



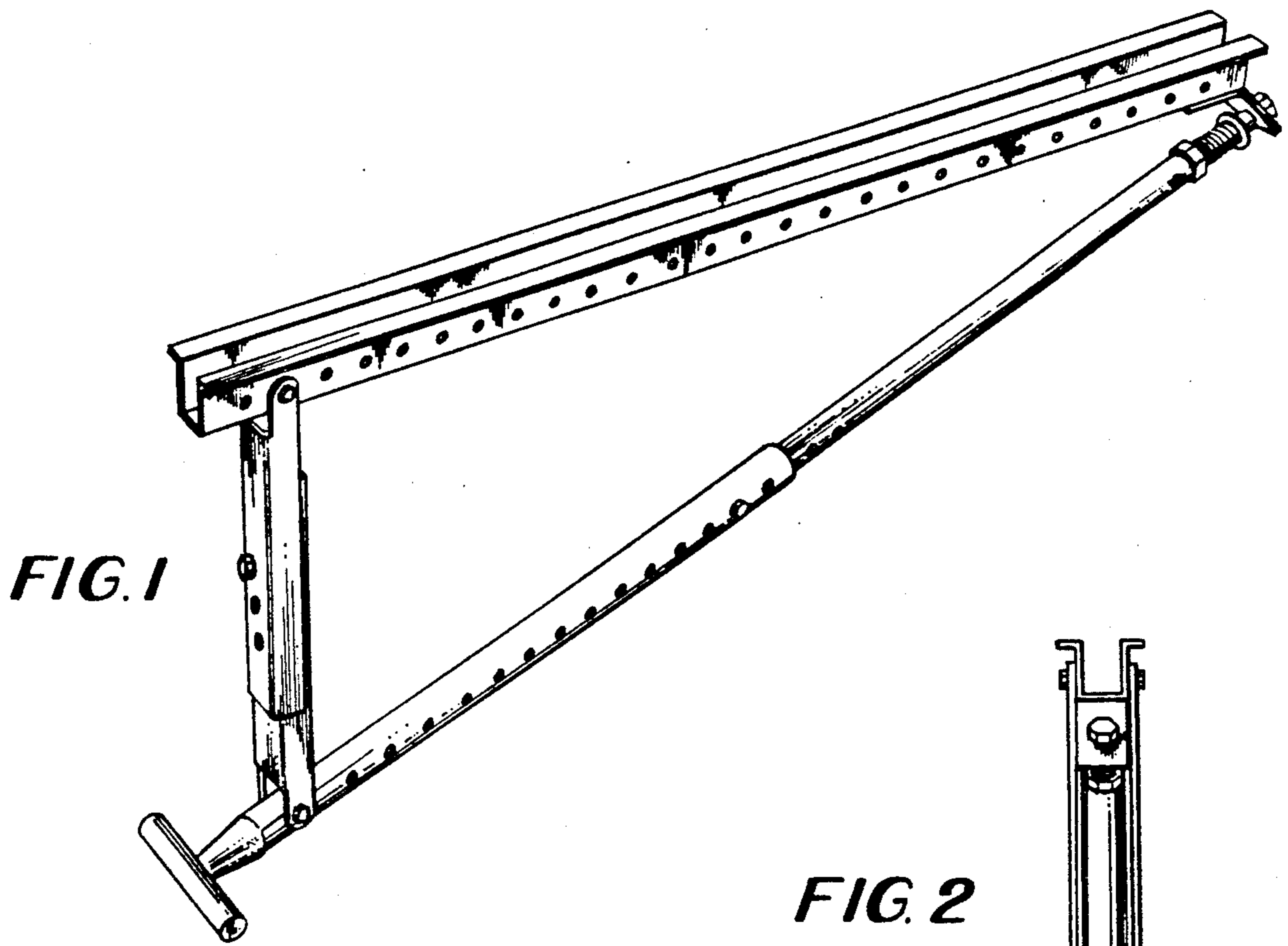


FIG. 2

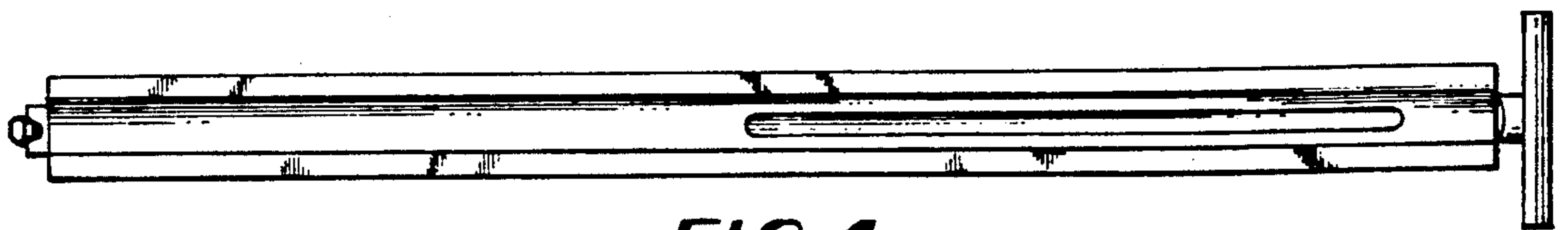
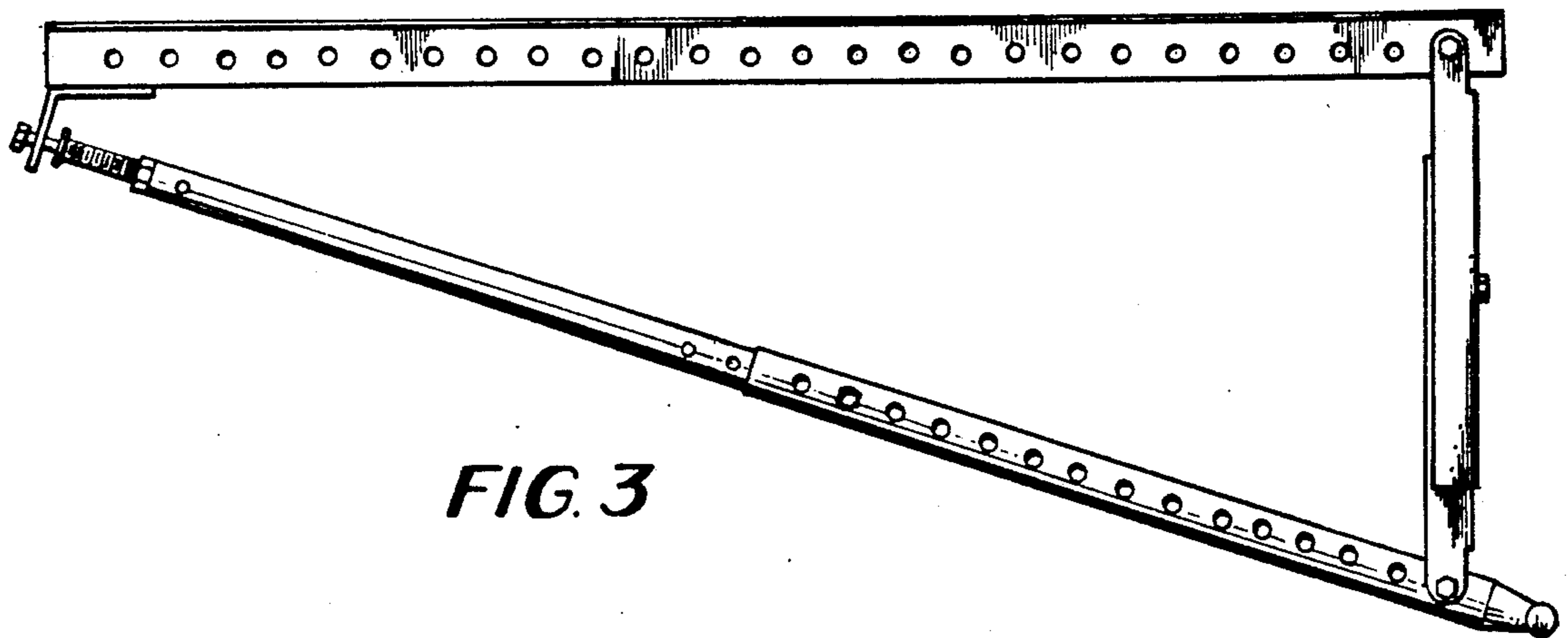
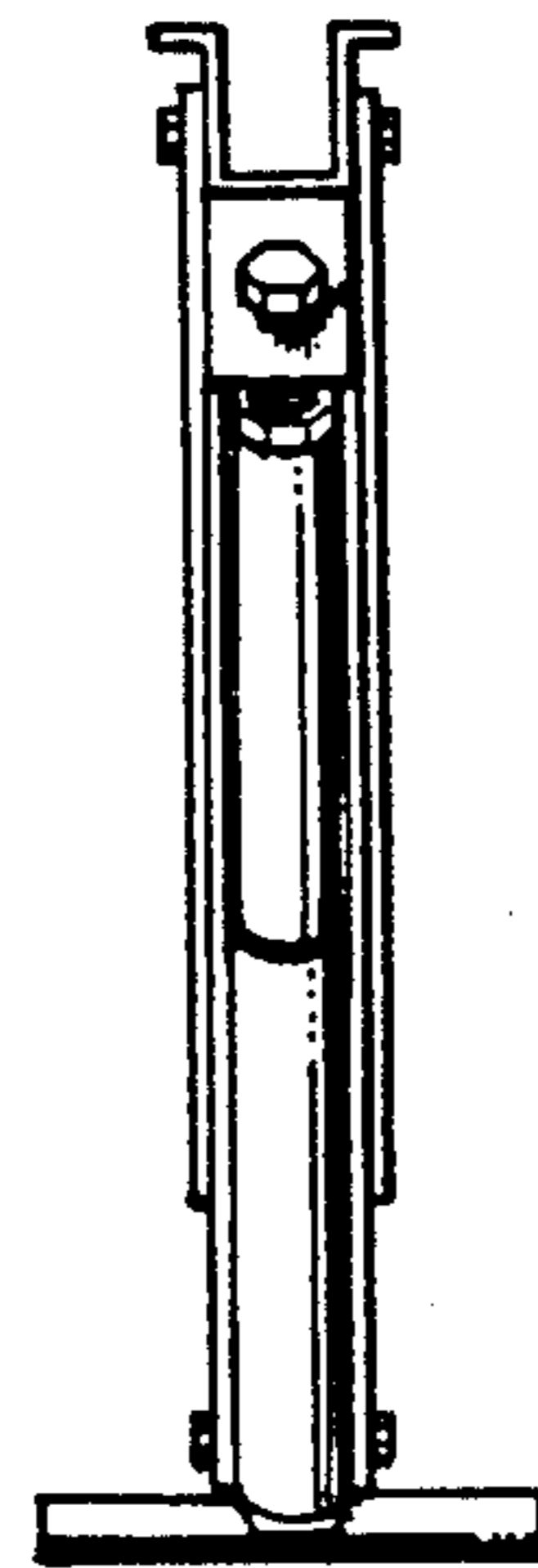


FIG. 5

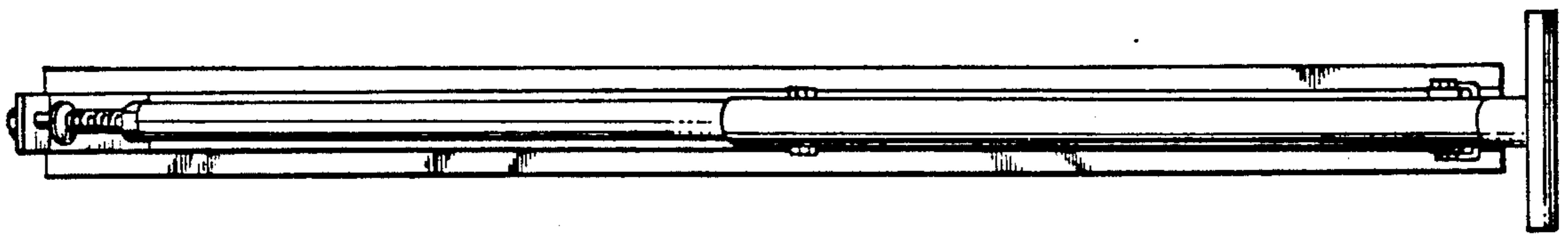
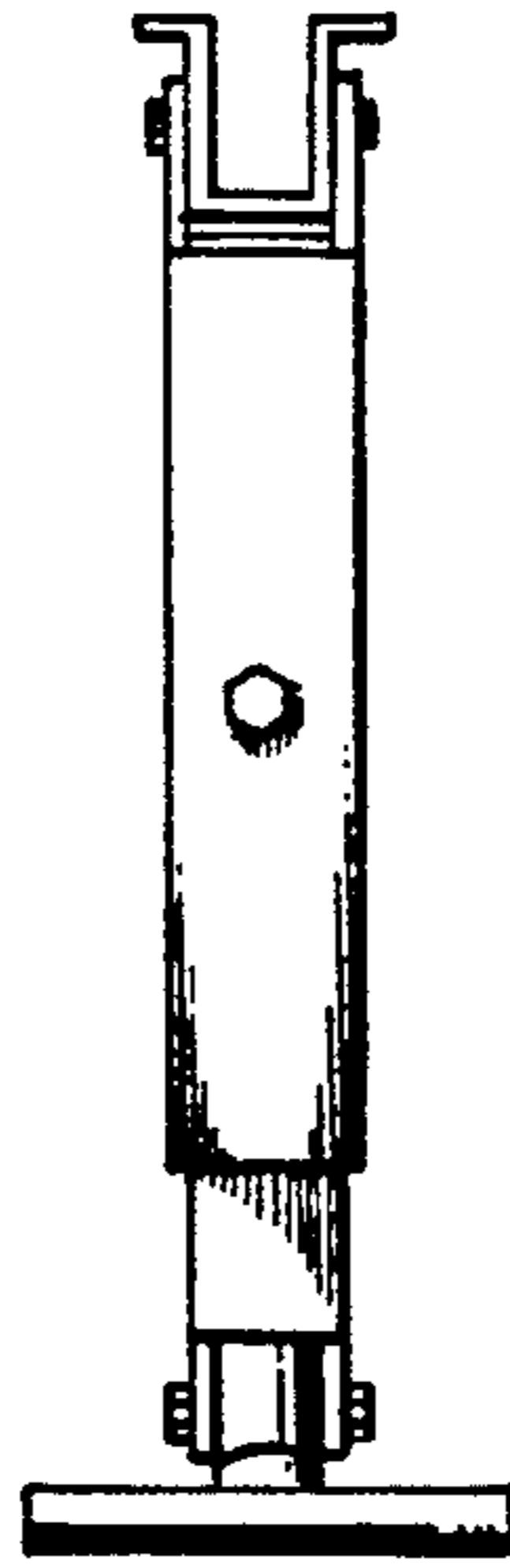


FIG. 6

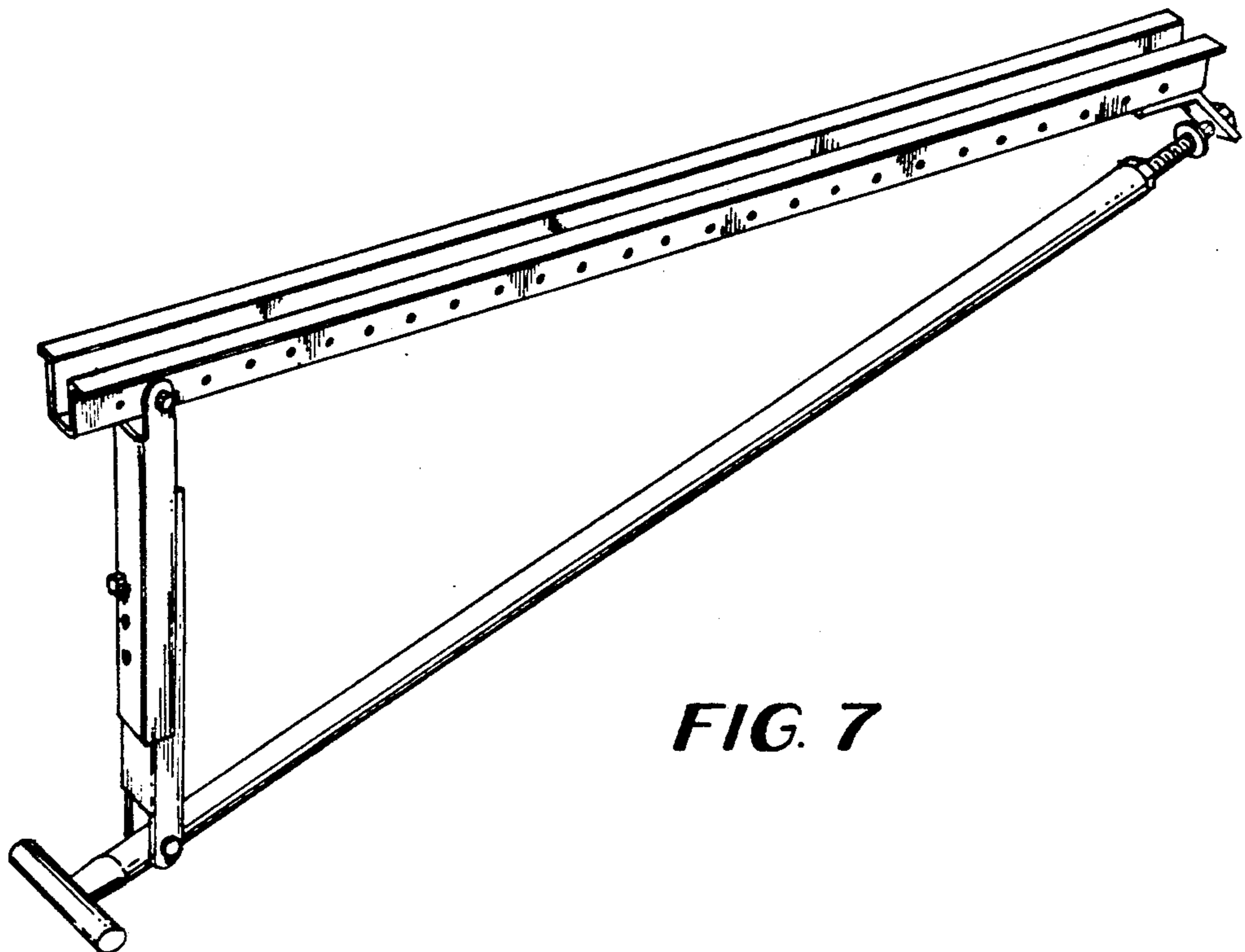


FIG. 7