



US00D323712S

# United States Patent [19]

[11] Patent Number: **Des. 323,712**

Foster, Jr. et al.

[45] Date of Patent: **\*\* Feb. 4, 1992**

[54] **ELECTRONIC SPHYGMOMANOMETER**

4,300,573 11/1981 Rebbe et al. .... 128/680 X  
4,558,707 12/1985 Miyamae et al. .... 128/680 X

[75] Inventors: **Werner R. Foster, Jr.**, Mesquite;  
**Ulrich A. Gienger**; **Charles D. Ray**,  
both of Dallas, all of Tex.

*Primary Examiner*—Stella Reid  
*Attorney, Agent, or Firm*—Arnold B. Silverman

[73] Assignee: **Sunbeam Corporation**, Downers  
Grove, Ill.

[57] **CLAIM**

The ornamental design for an electronic sphygmoma-  
nometer, as shown and described.

[\*\*] Term: **14 Years**

**DESCRIPTION**

[21] Appl. No.: **417,390**

FIG. 1 is a top, front, and left side perspective view of  
an electronic sphygmomanometer, showing our new  
design;

[22] Filed: **Oct. 5, 1989**

[52] U.S. Cl. .... **D24/165**

FIG. 2 is a top plan view thereof;

[58] Field of Search ..... **D24/165; 128/683, 680,**  
**128/682, 681, 677, 700, 709**

FIG. 3 is a front elevational view thereof;

FIG. 4 is a rear elevational view thereof;

FIG. 5 is a right side elevational view thereof;

FIG. 6 is a left side elevational view thereof; and

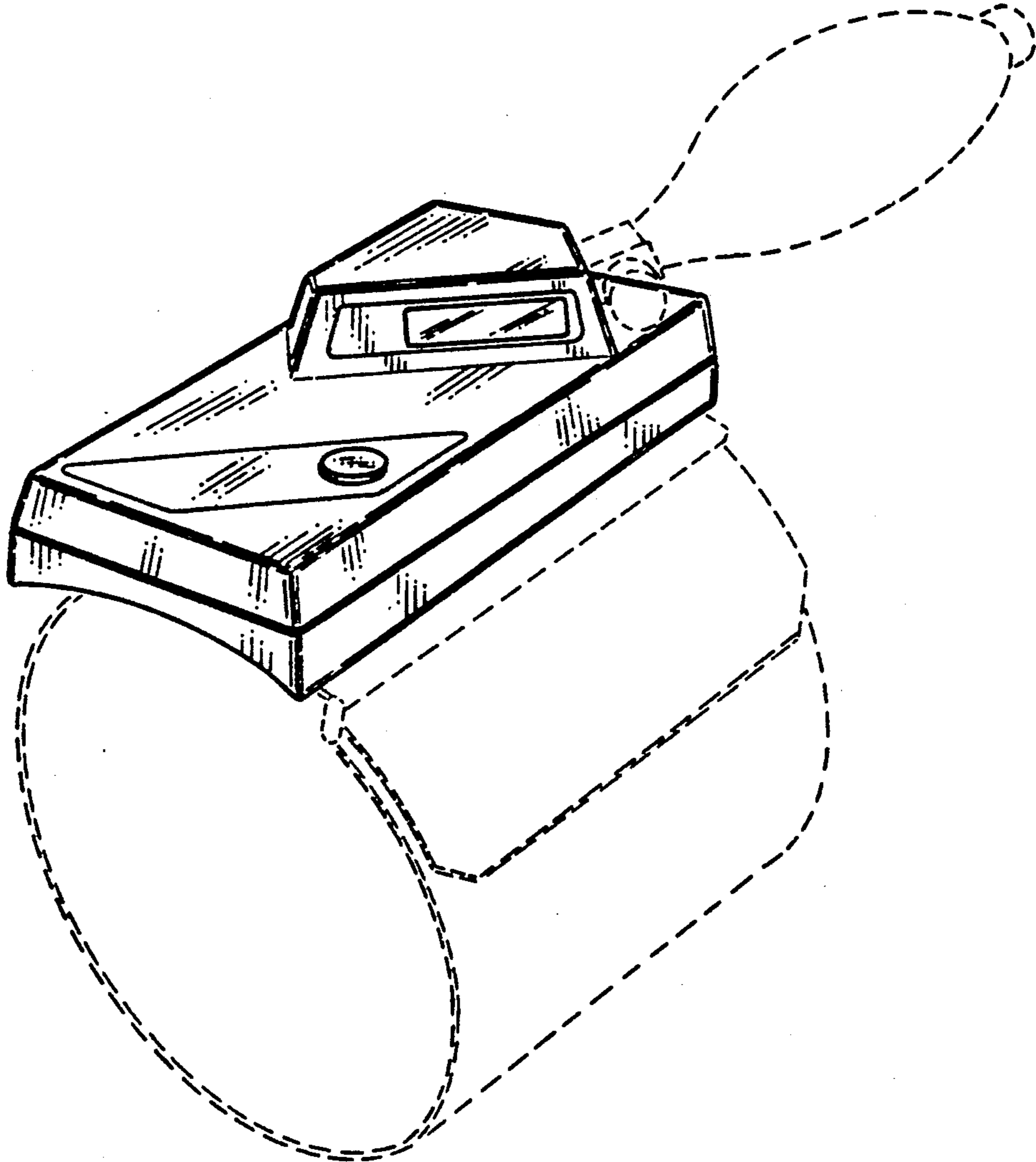
FIG. 7 is a bottom plan view thereof; and

The broken line showings of the cuff in FIG. 1 and of  
the pressure bulb in FIGS. 1-7 are for illustrative pur-  
poses and form no part of the claimed design.

[56] **References Cited**

**U.S. PATENT DOCUMENTS**

D. 285,965	9/1986	Nishibori et al. ....	D24/165
D. 286,437	10/1986	Nishibori .....	D24/165
D. 297,051	8/1988	Kawamura .....	D24/165
D. 297,568	9/1988	Francis .....	D24/165



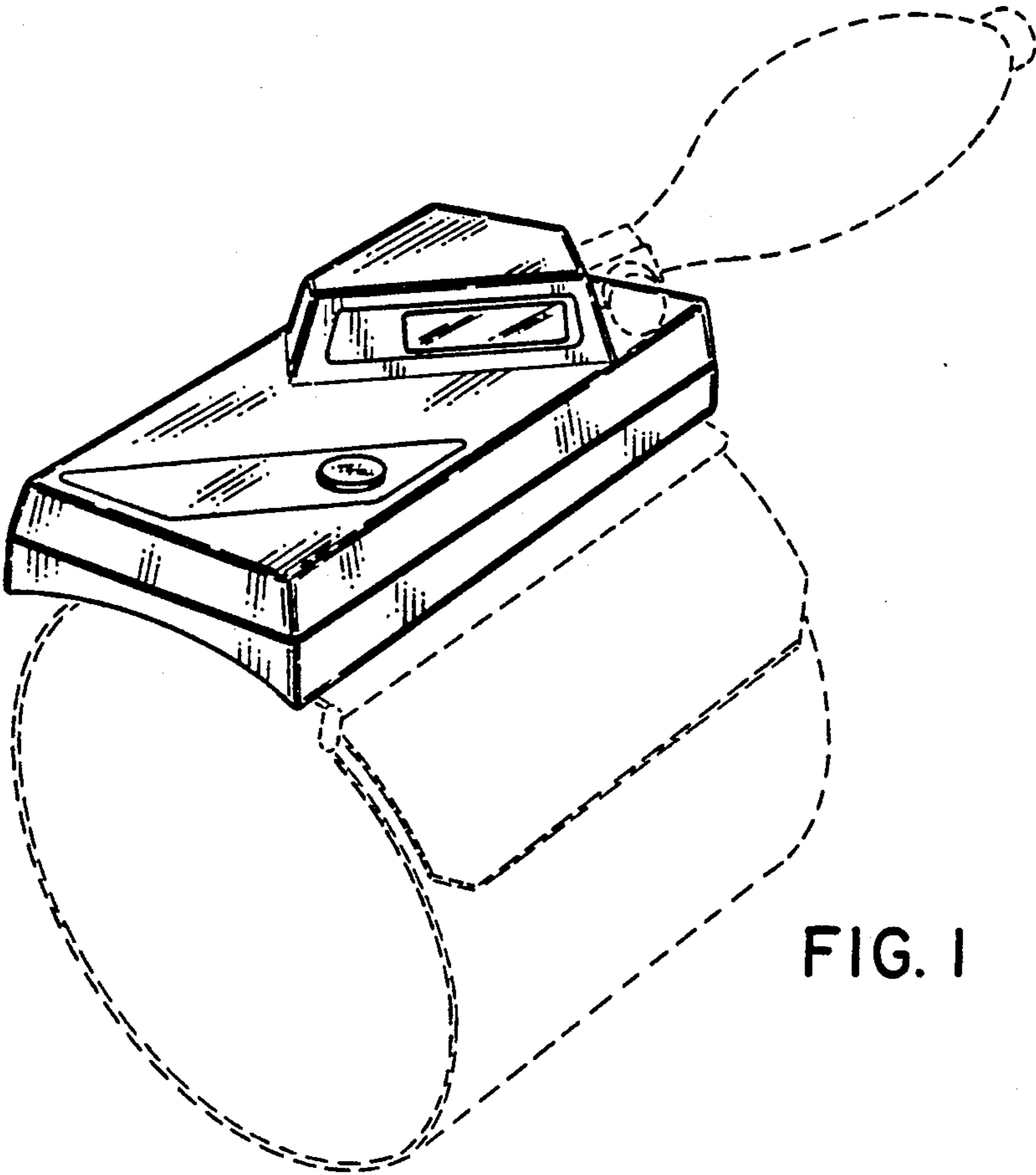


FIG. 1

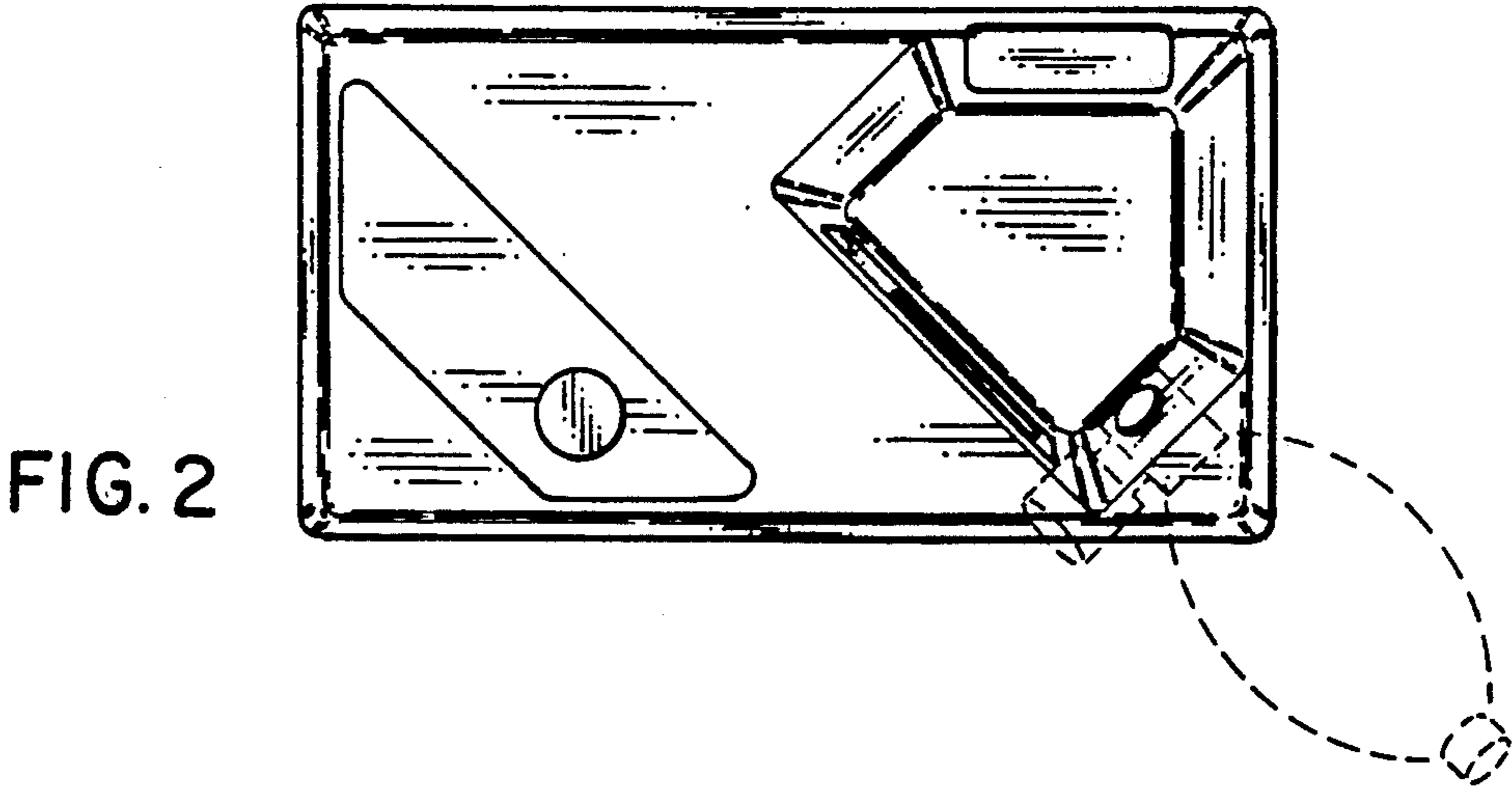


FIG. 2

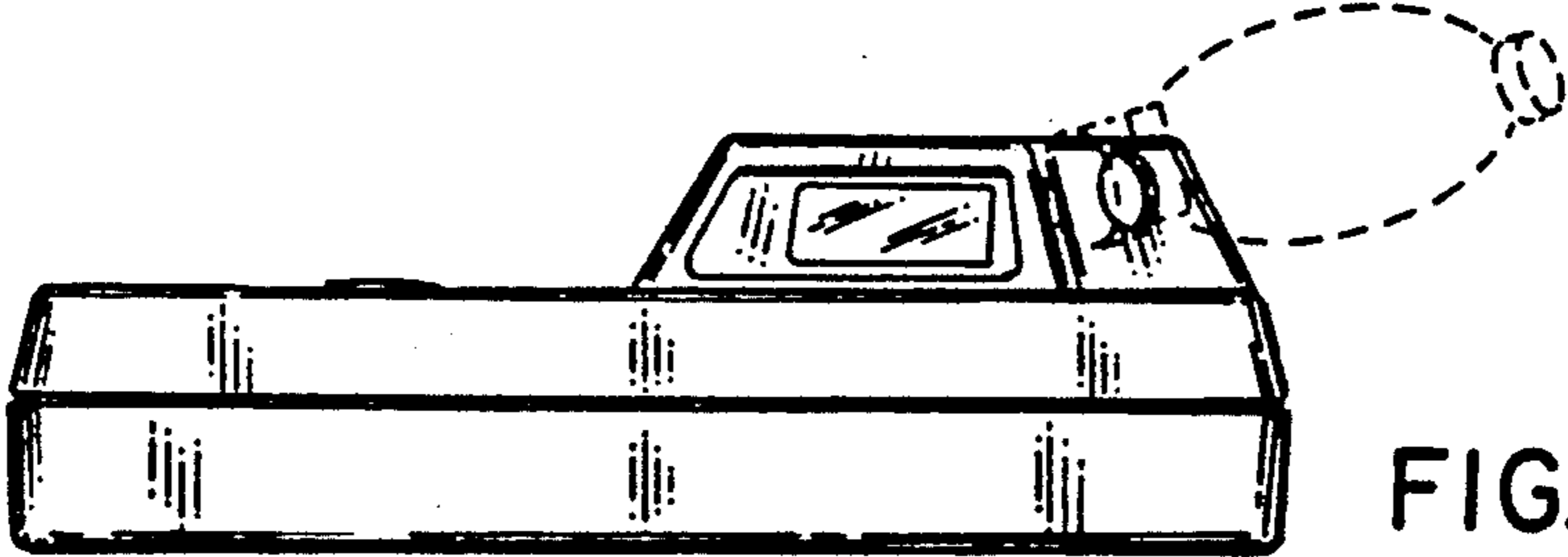


FIG. 3

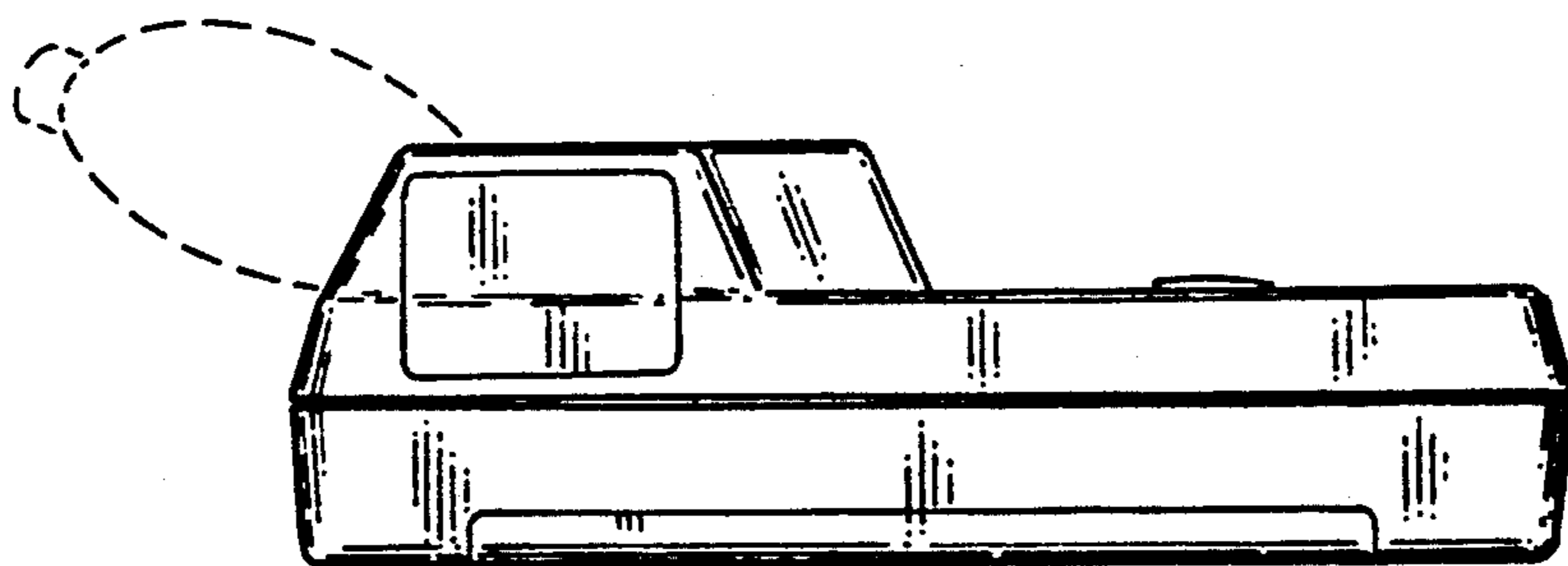


FIG. 4

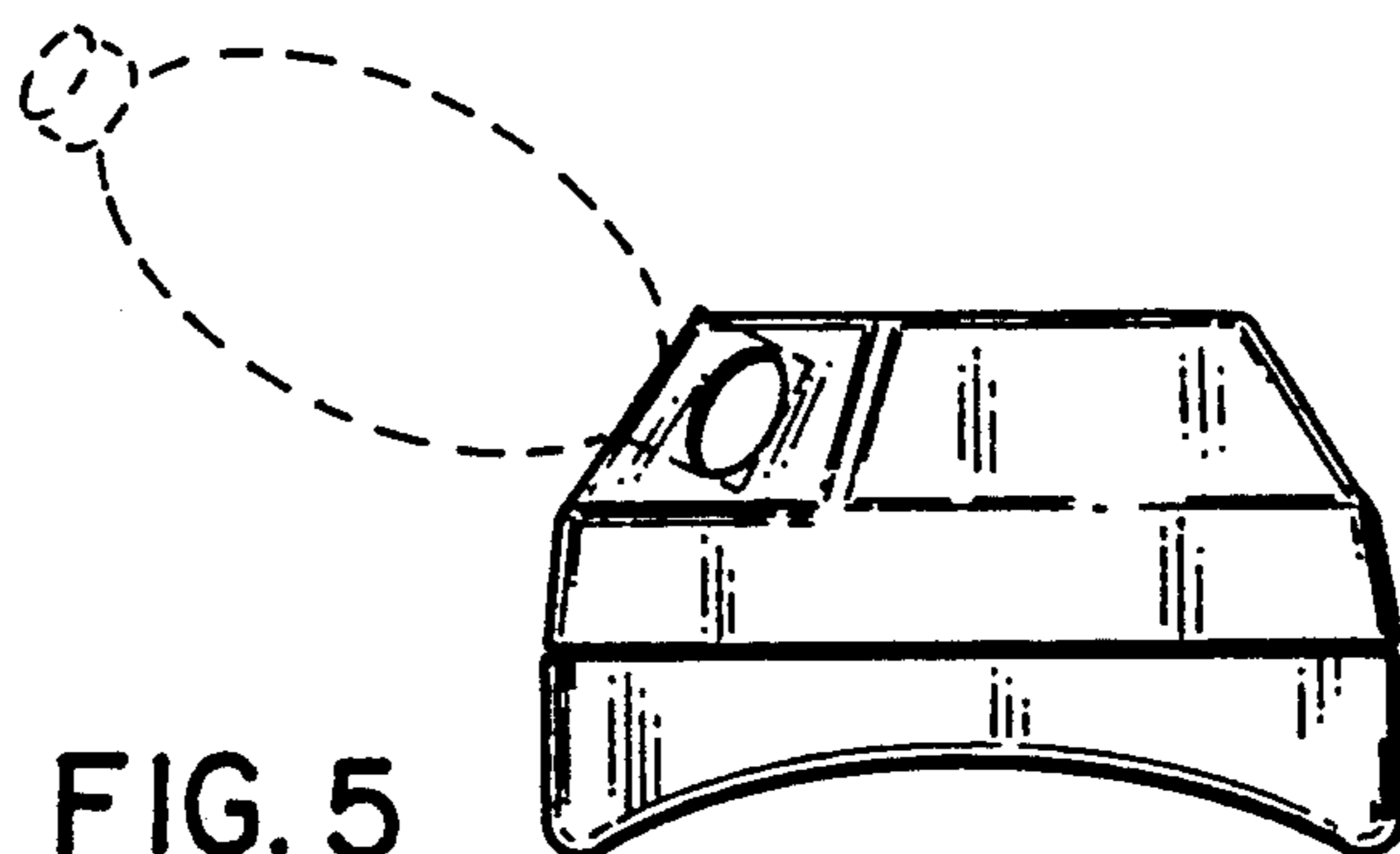


FIG. 5

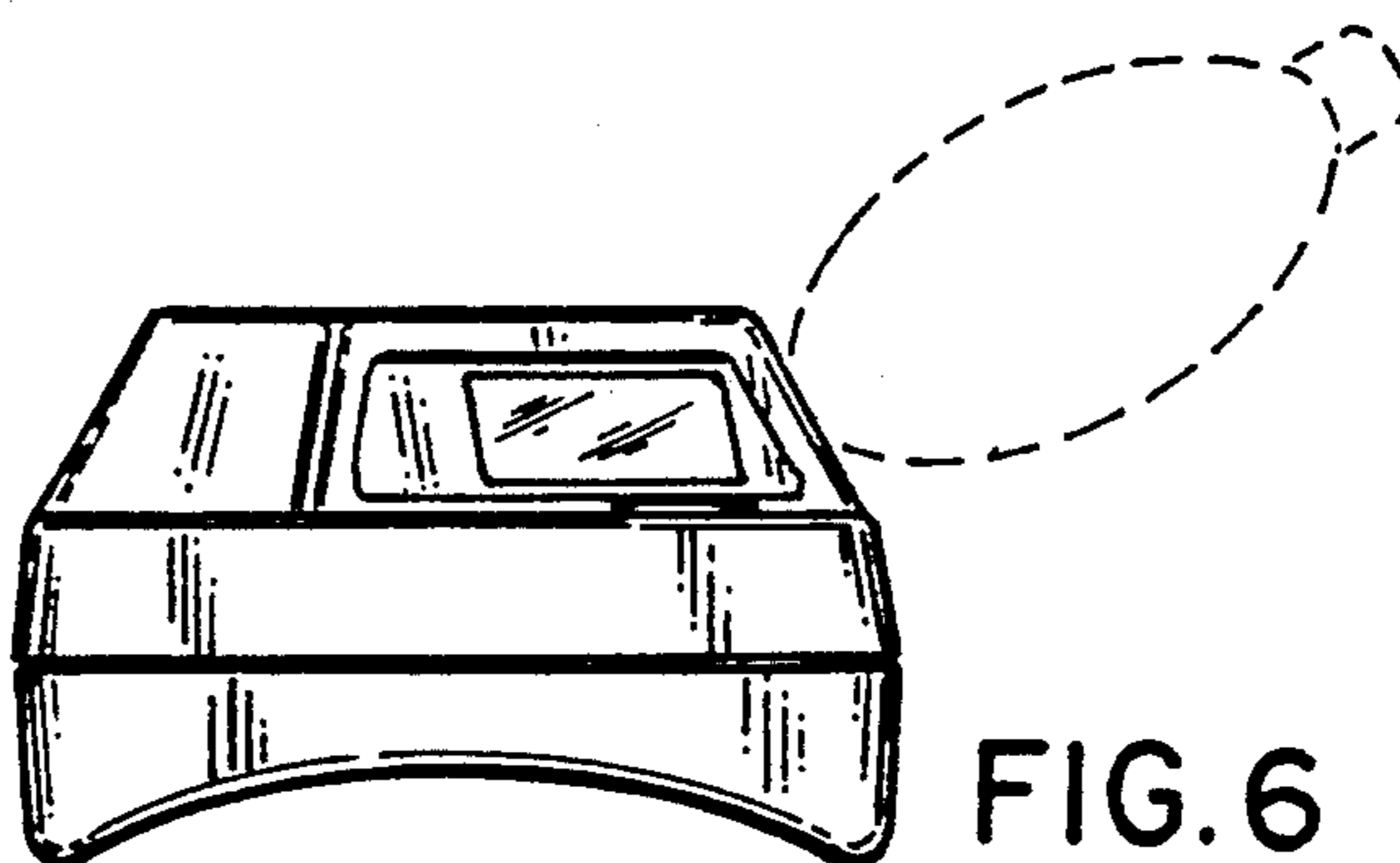


FIG. 6

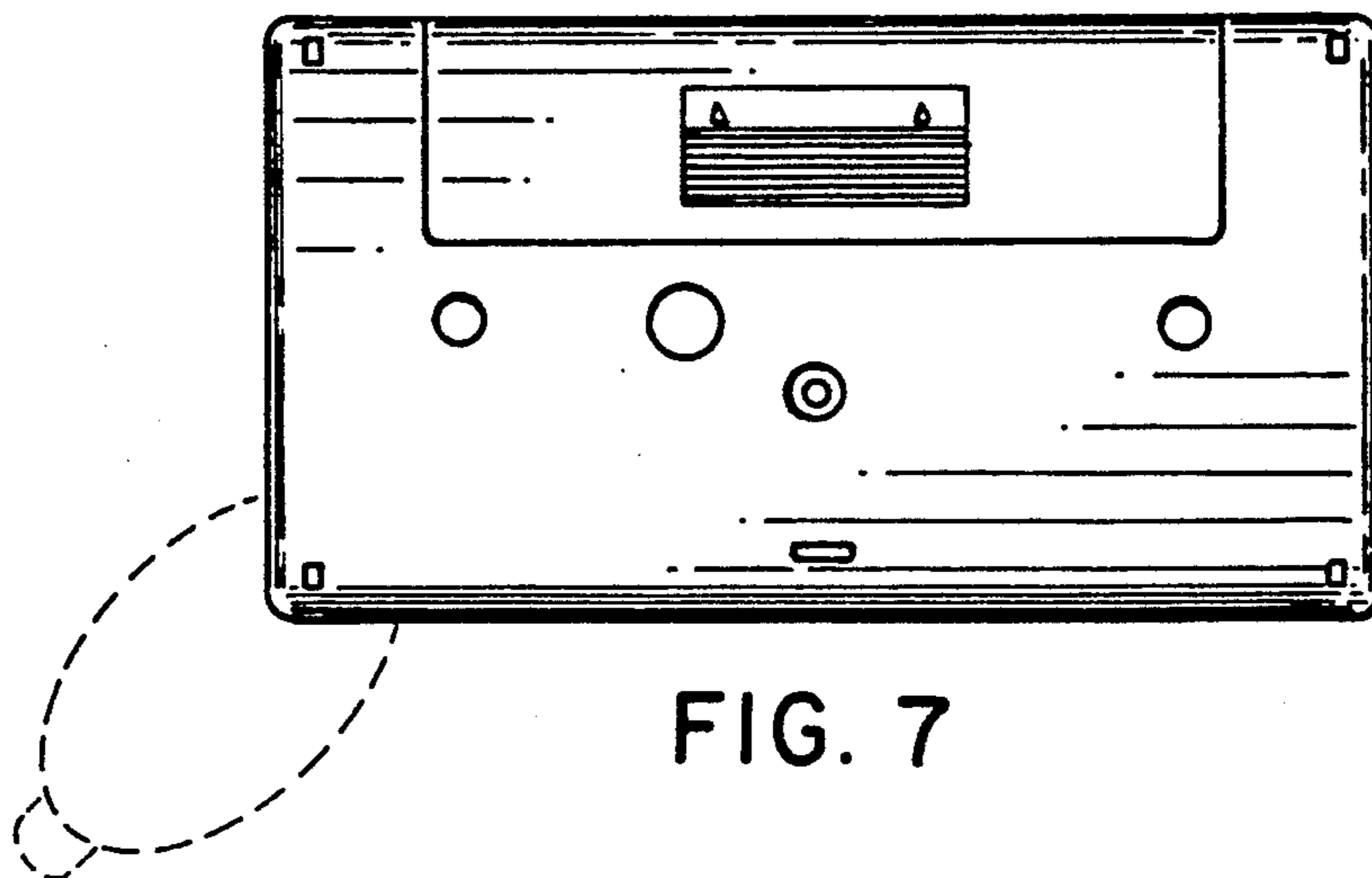


FIG. 7