



US00D323708S

# United States Patent [19]

[11] Patent Number: **Des. 323,708**

Wang

[45] Date of Patent: **\*\* Feb. 4, 1992**

[54] **PORTABLE ELECTRICAL FAN**

D. 315,018 2/1991 Wang ..... D23/382  
2,884,075 4/1959 Poon ..... 416/247 R

[75] Inventor: **Jui-Shang Wang, Taipei, Taiwan**

*Primary Examiner*—James M. Gandy  
*Assistant Examiner*—Lisa Lichtenstein  
*Attorney, Agent, or Firm*—John E. Toupal; Harold G. Jarcho

[73] Assignee: **Duracraft Corporation, Sudbury, Mass.**

[\*\*] Term: **14 Years**

[57] **CLAIM**

[21] Appl. No.: **617,717**

The ornamental design for a portable electrical fan, as shown and described.

[22] Filed: **Nov. 23, 1990**

[52] U.S. Cl. .... **D23/382**

**DESCRIPTION**

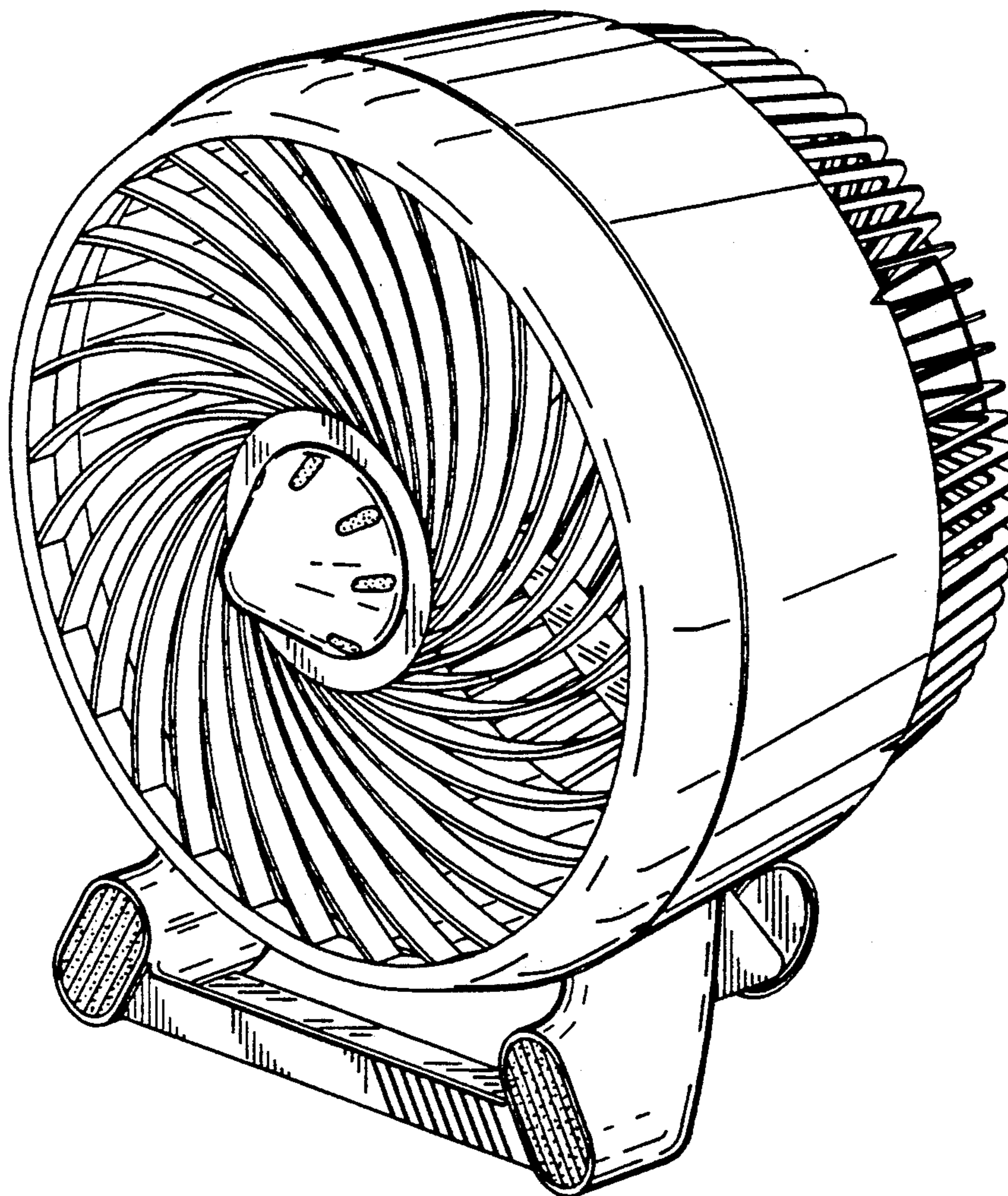
[58] Field of Search ..... **D23/370, 371, 382, 379, D23/411, 412, 381; 416/247 R; 415/213.1**

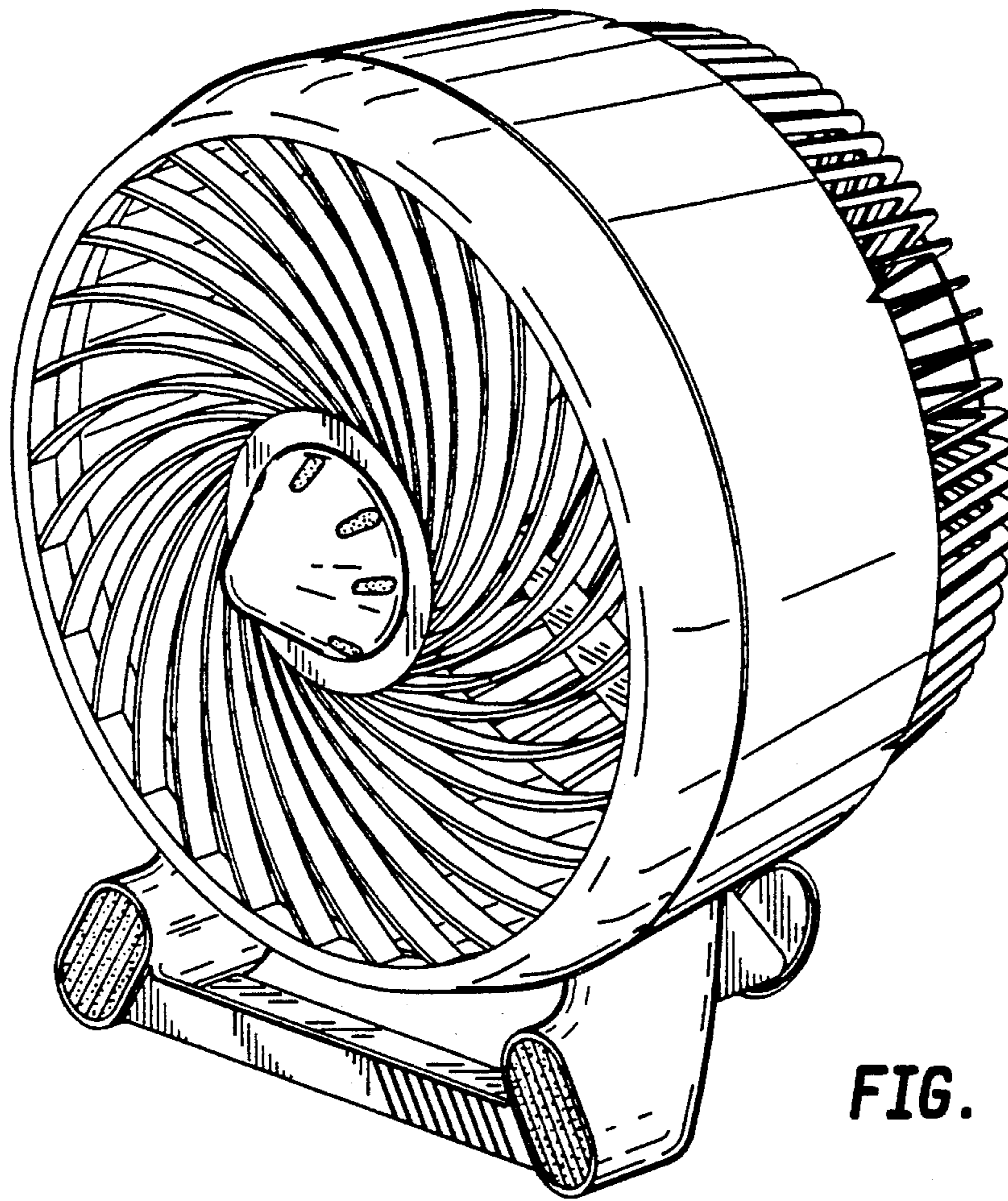
FIG. 1 is a front and left side perspective view of a portable electrical fan showing my new design; FIG. 2 is a top plan view thereof; FIG. 3 is a front elevation view thereof on a reduced scale; FIG. 4 is a right side elevation view thereof on a reduced scale, the opposite side being a mirror image of that shown; and FIG. 5 is a rear elevation view thereof on a reduced scale.

[56] **References Cited**

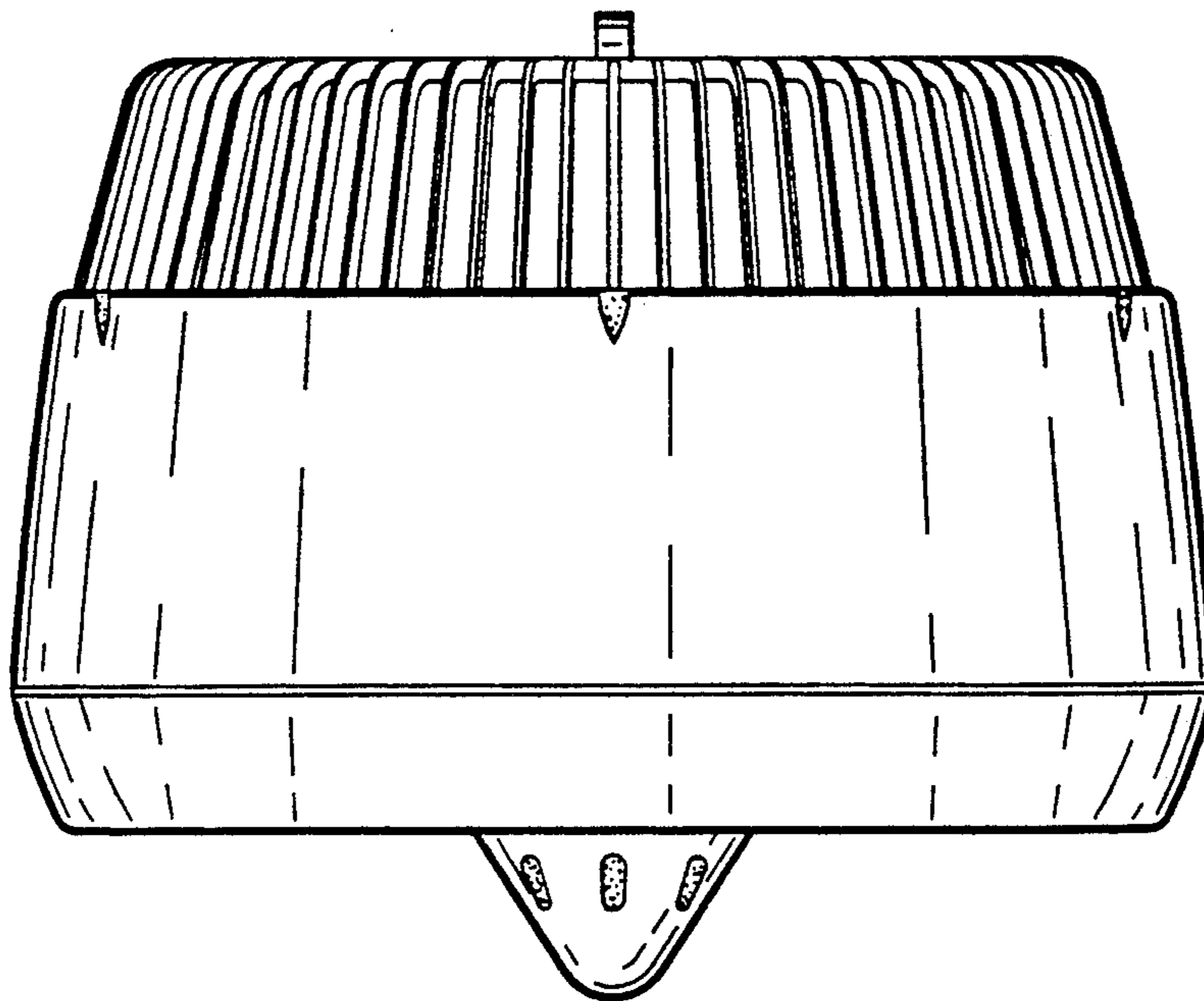
**U.S. PATENT DOCUMENTS**

- D. 89,076 1/1933 Gosling ..... D23/382
- D. 97,118 10/1935 Cohen ..... D23/412
- D. 195,287 5/1963 Downing ..... D23/370
- D. 304,368 10/1989 Suzuki ..... D23/382
- D. 312,124 11/1990 Coup et al. .... D23/382

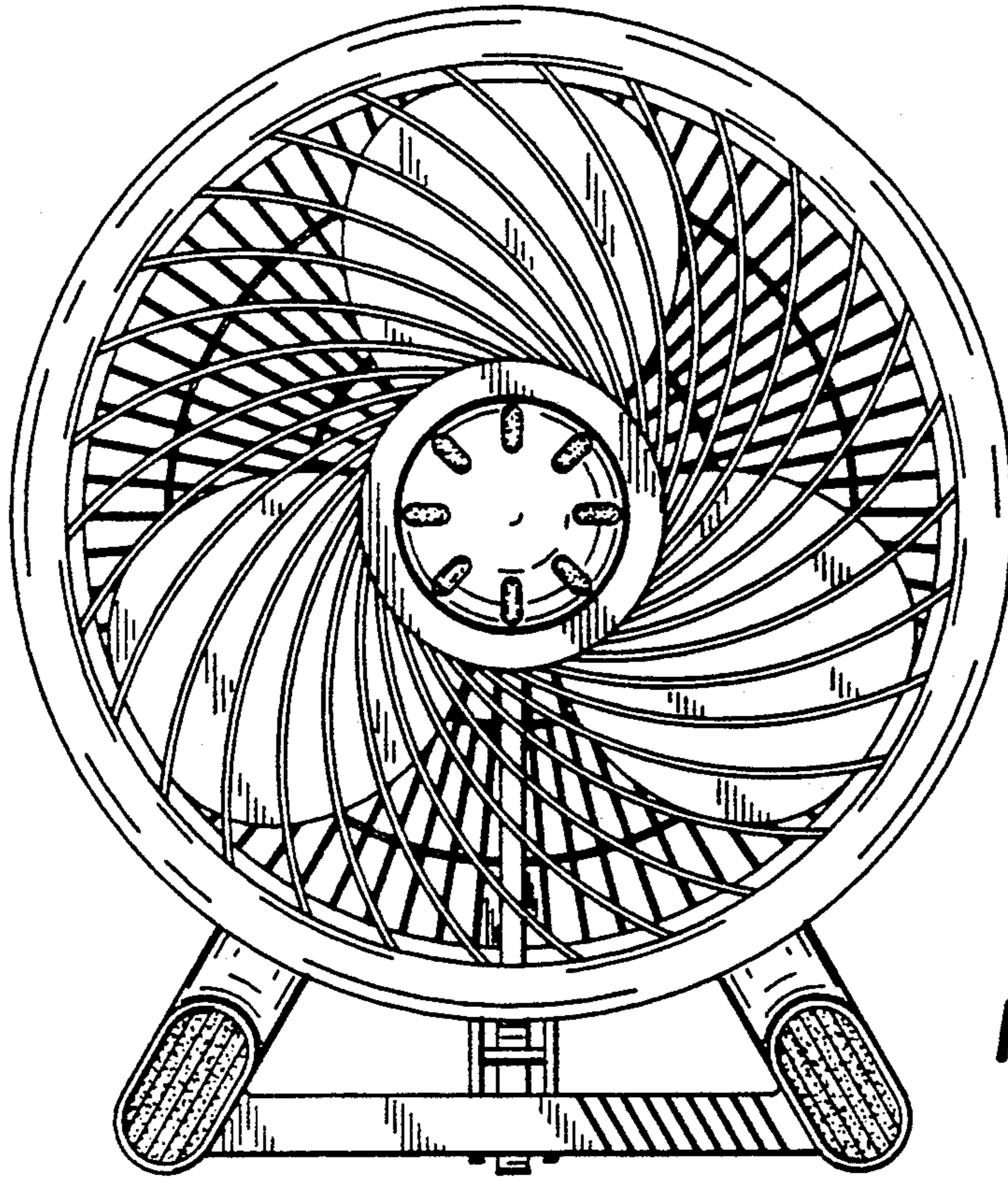




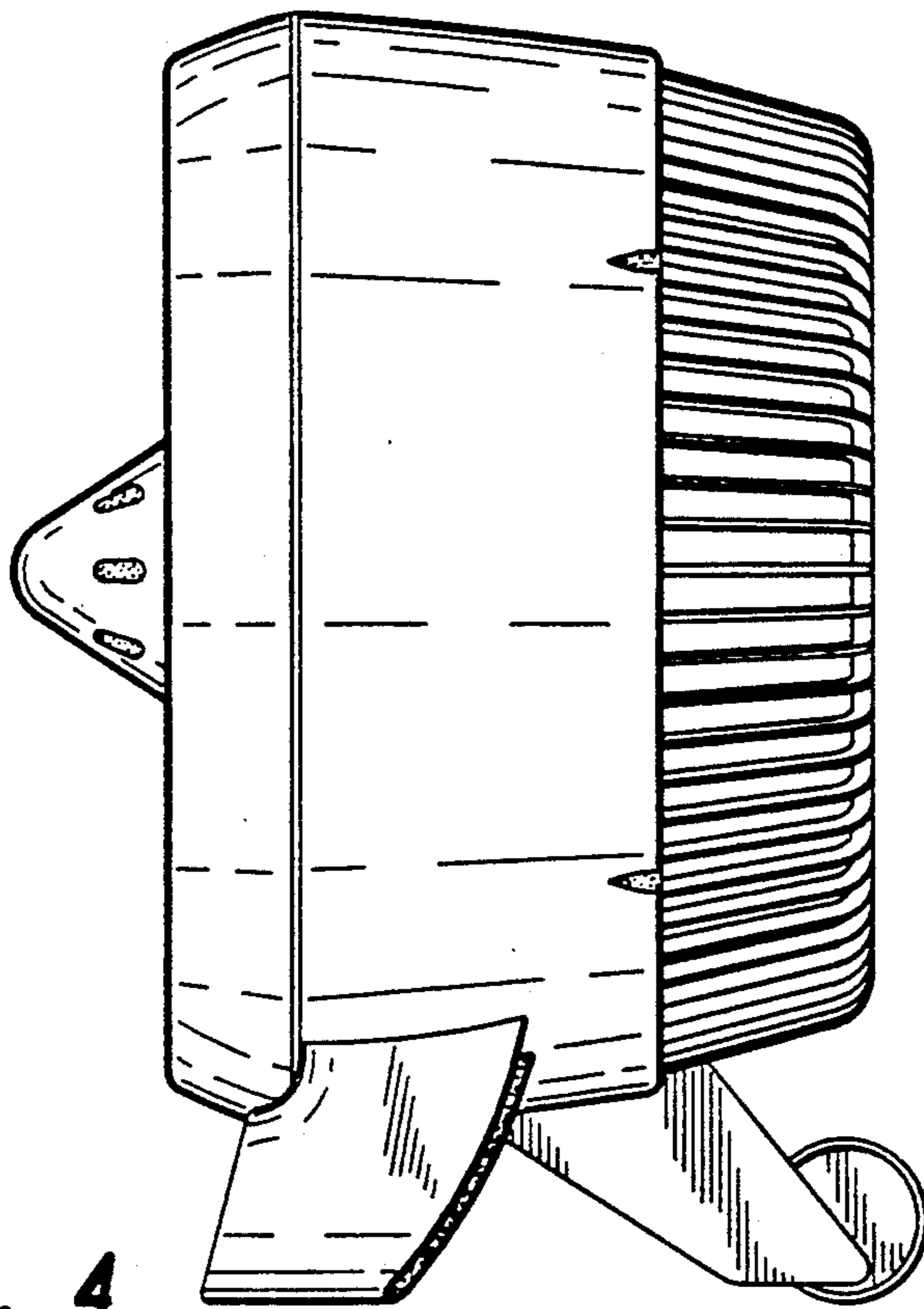
**FIG. 1**



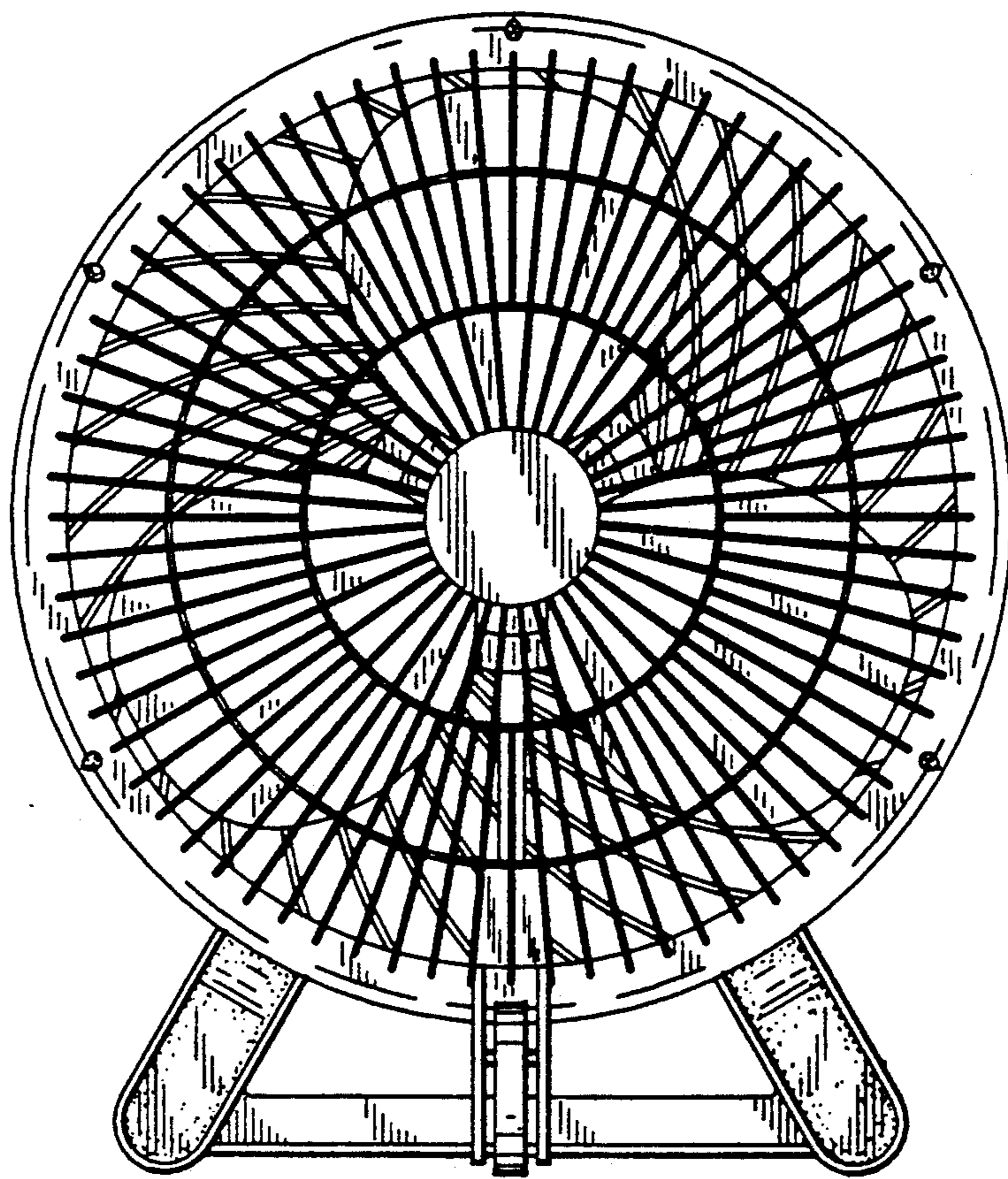
**FIG. 2**



**FIG. 3**



**FIG. 4**



**FIG. 5**