



US00D323704S

United States Patent [19]

[11] Patent Number: **Des. 323,704**

Stairs, Jr.

[45] Date of Patent: **** Feb. 4, 1992**

[54] KITCHEN SINK OR THE LIKE

[75] Inventor: **Henry M. Stairs, Jr., Ligonier, Pa.**

[73] Assignee: **American Standard Inc., New York, N.Y.**

[*] Notice: **The portion of the term of this patent subsequent to Feb. 4, 2006 has been disclaimed.**

[**] Term: **14 Years**

[21] Appl. No.: **322,011**

[22] Filed: **Mar. 13, 1989**

[52] U.S. Cl. **D23/290**

[58] Field of Search **D23/270-274, D23/284-294, 308; 4/619, 625, 635-650**

[56] References Cited

U.S. PATENT DOCUMENTS

D. 116,564	9/1939	Love	D23/290
D. 186,356	10/1959	Sporek	D23/290
D. 192,412	3/1962	Forsman	D23/290
1,913,820	6/1933	Rossel	D23/289 X
2,023,692	12/1935	McQuinn	D23/290 X
2,028,802	1/1936	Ottke	D23/290 X

OTHER PUBLICATIONS

Domestic Engineering, Mar. 1963, p. 33.
House & Home, Dec. 1961, p. 56, top center item.
House & Home, Jun. 1966, p. 126, top item.

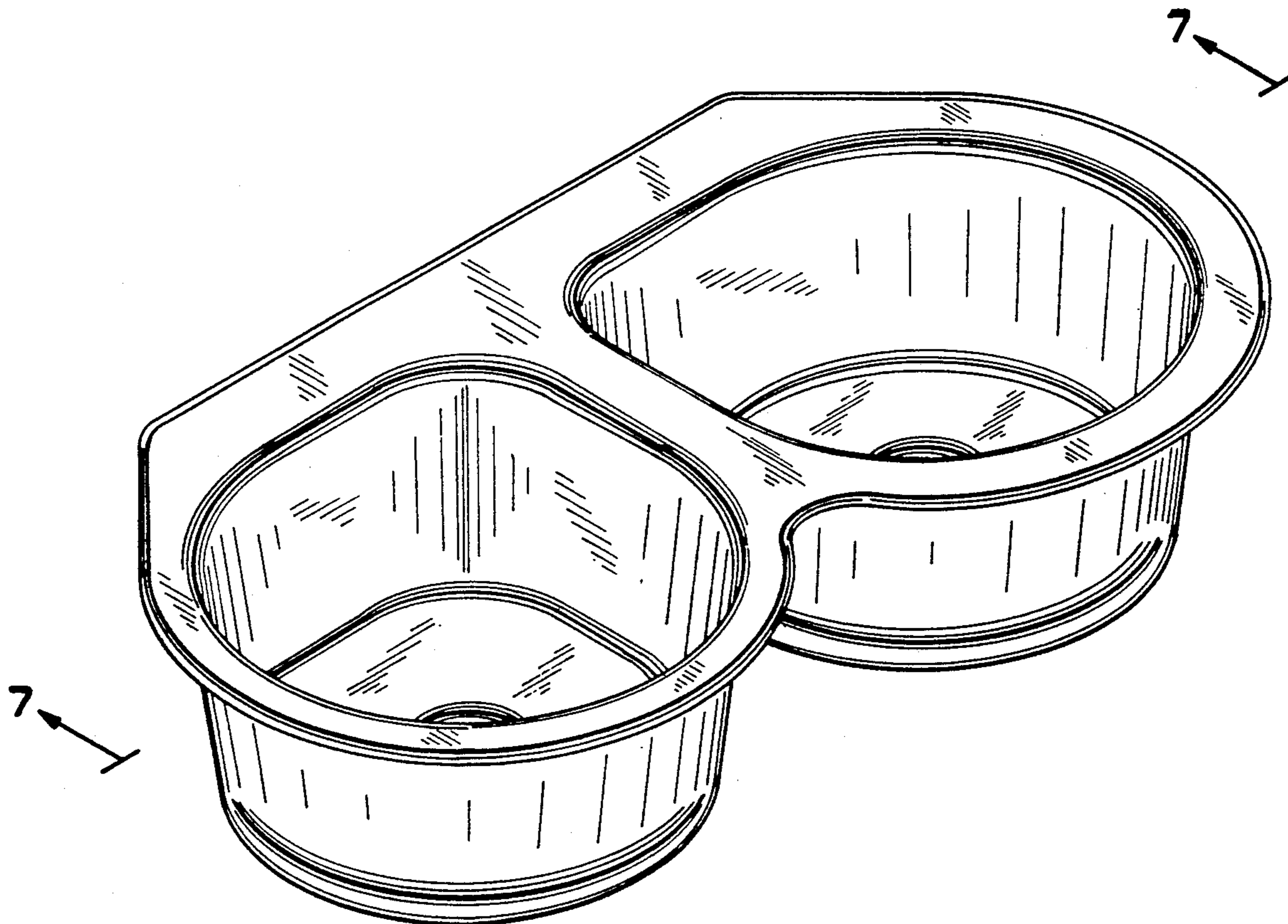
Primary Examiner—James R. Largen
Attorney, Agent, or Firm—John P. Sinnott; Ann M. Knab

[57] CLAIM

The ornamental design for a kitchen sink or the like, as shown and described.

DESCRIPTION

FIG. 1 is a perspective view taken from the top, front and left side of a kitchen sink or the like showing my new design;
FIG. 2 is a top plan view thereof;
FIG. 3 is a front elevational view thereof;
FIG. 4 is a bottom plan view thereof;
FIG. 5 is a rear elevational view thereof;
FIG. 6 is a left side elevational view thereof, the right side being a mirror image of the left side; and
FIG. 7 is a cross-sectional view taken on line 7-7 of FIG. 1.



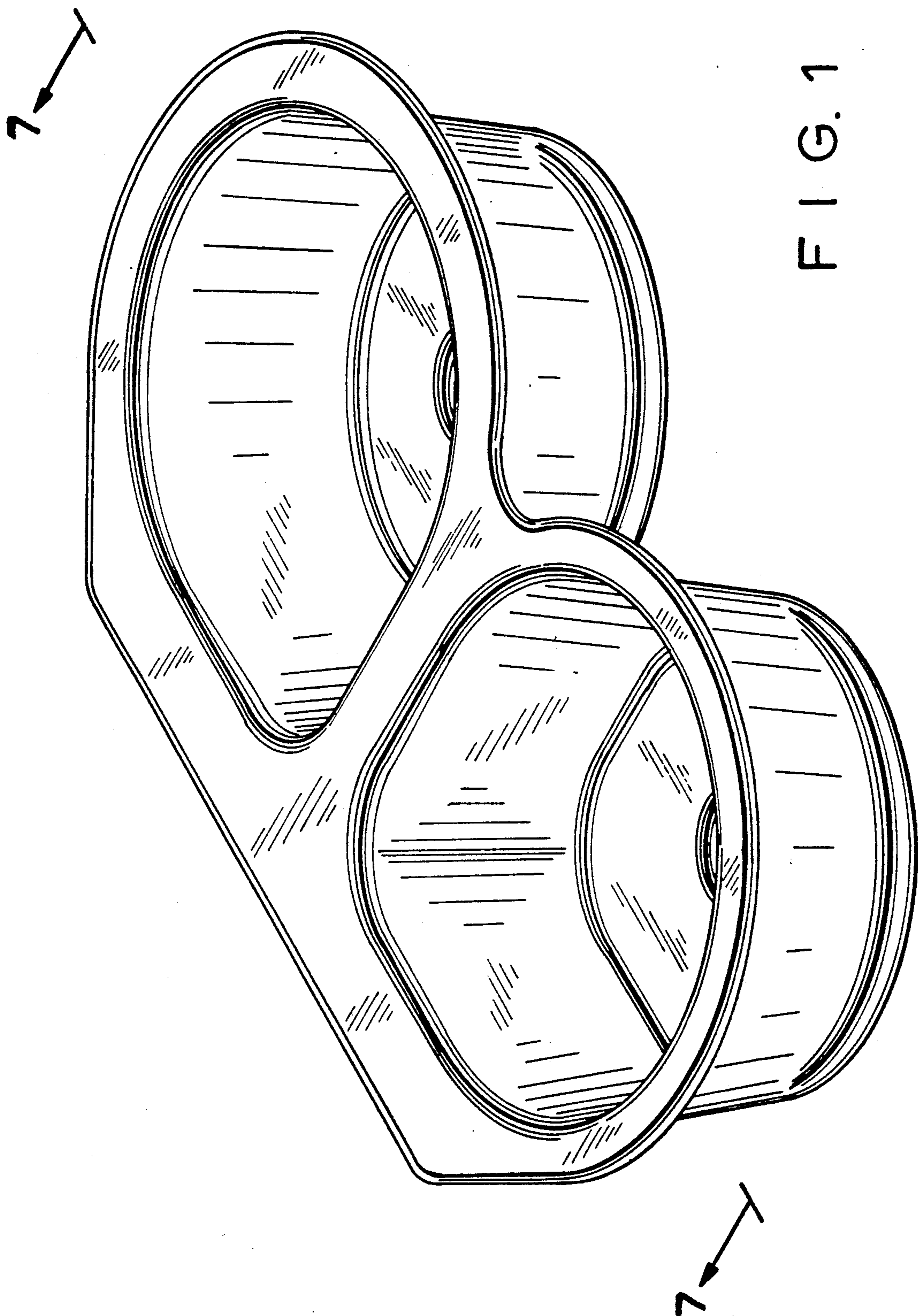


FIG. 1

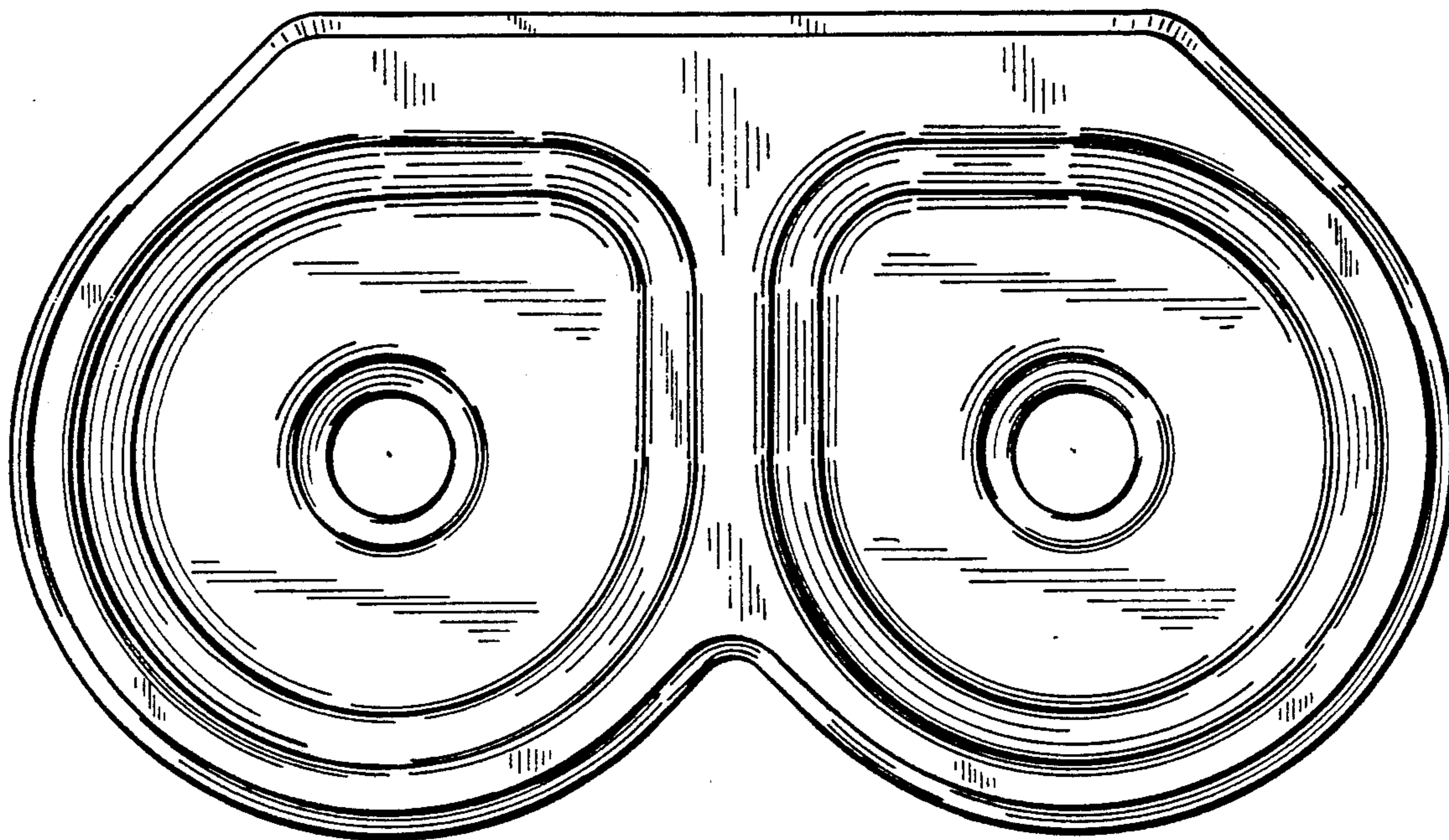


FIG. 2

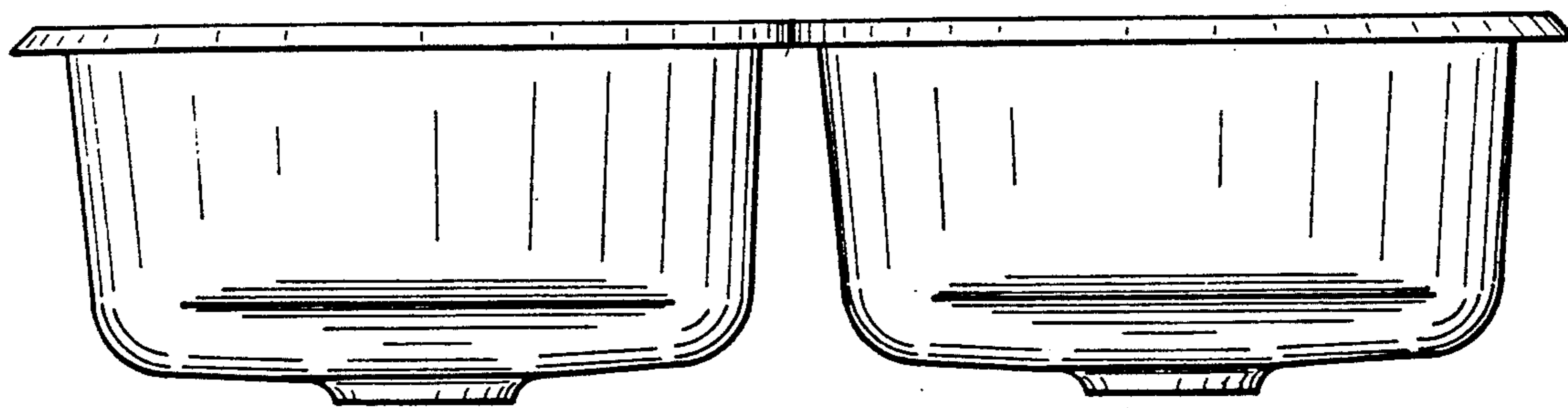


FIG. 3

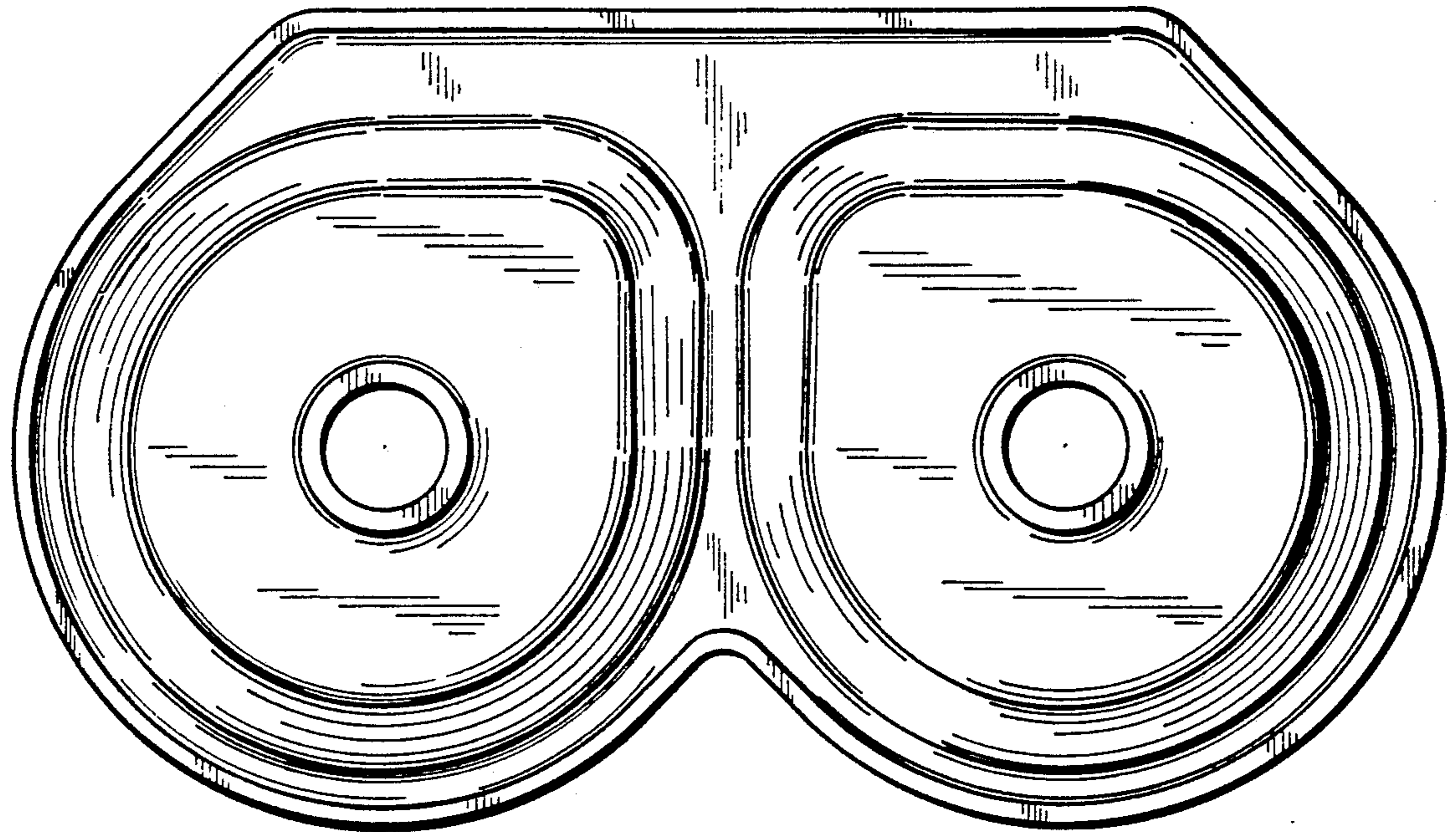


FIG. 4

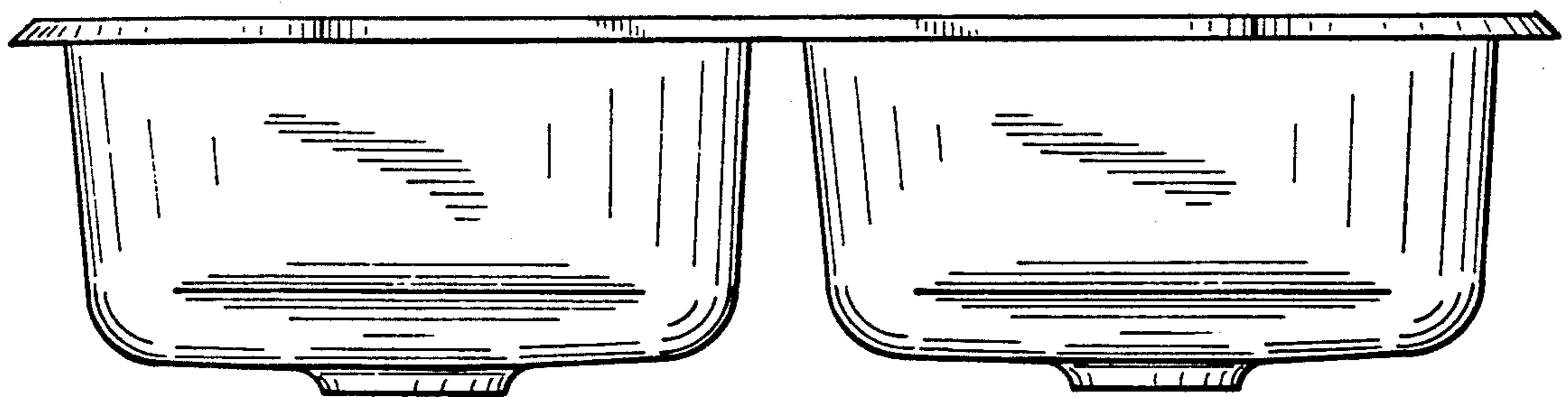


FIG. 5

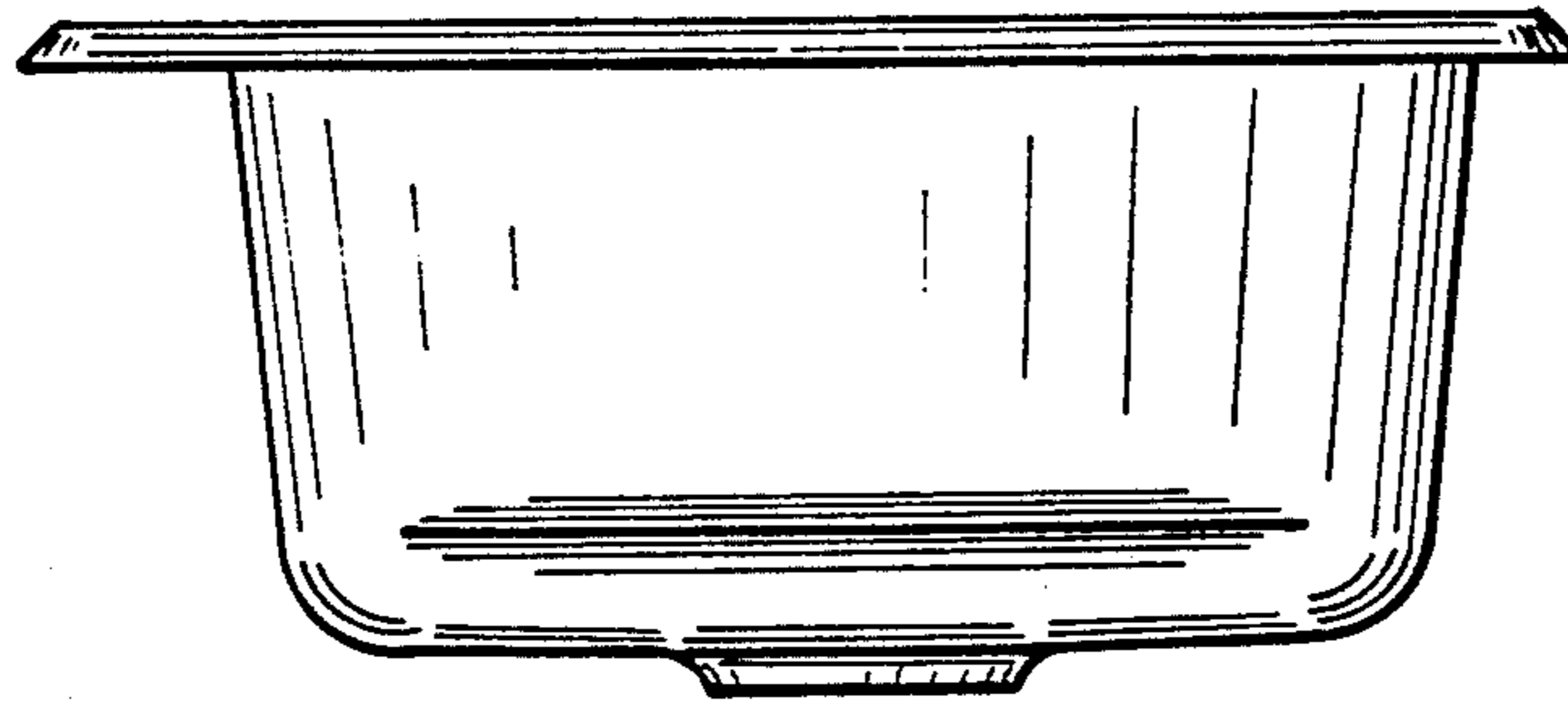


FIG. 6

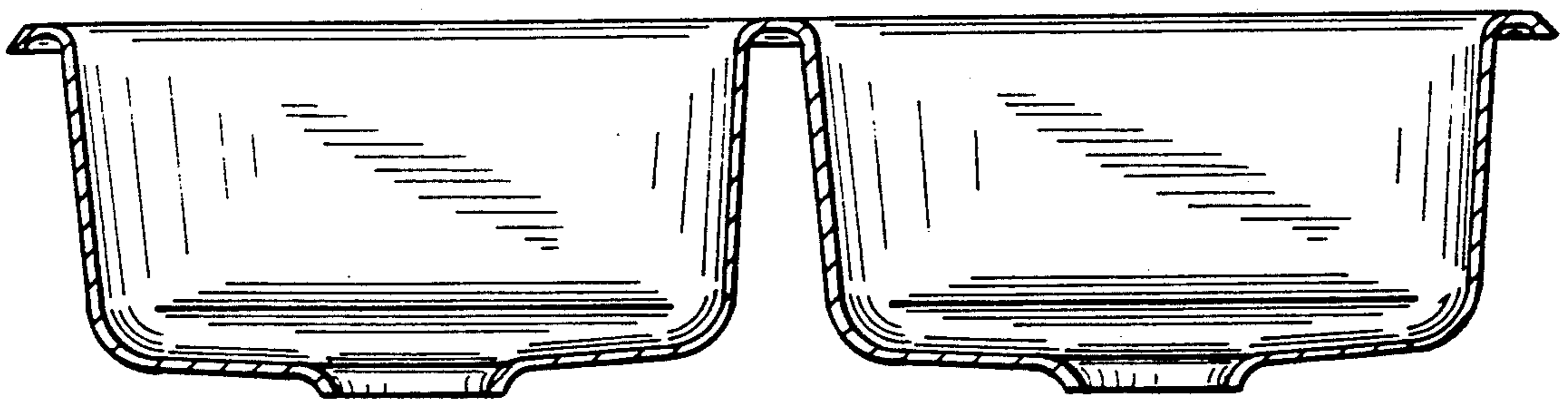


FIG. 7